

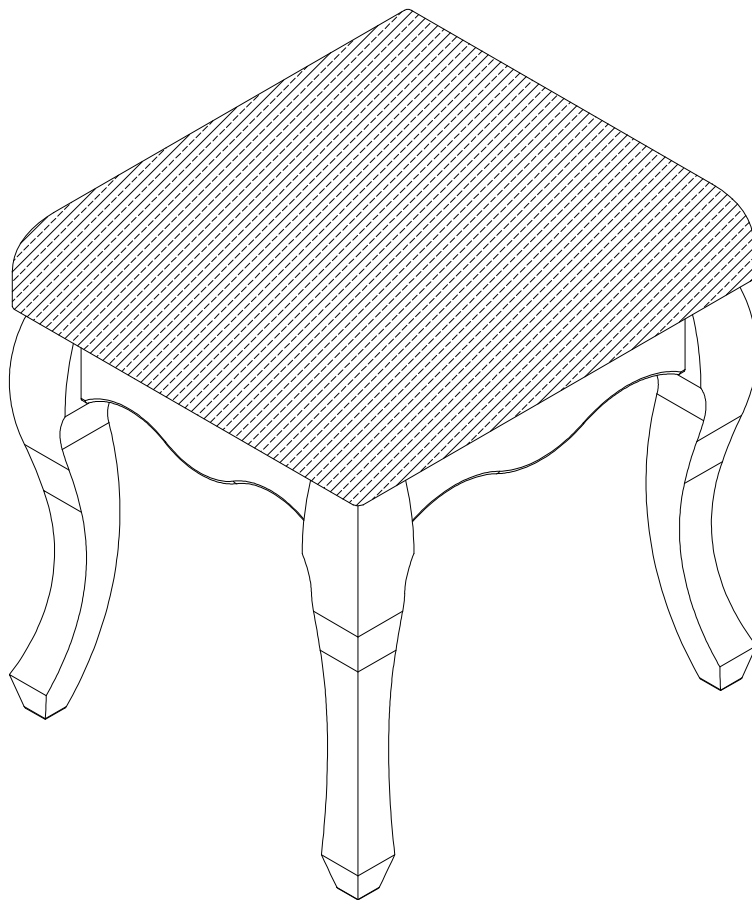
# Sophia Dressing Table, Stool and Mirror -Stool

Assembly Instructions - Please keep for future reference

471/9160

457/7656

501/2921



## Dimensions

Width - 40cm  
Depth - 35cm  
Height - 45cm

**Important** - Please read these instructions fully before starting assembly

If you need help or have damaged or missing parts, call the **Customer Helpline: 03456 400800**.  
For further assistance please visit <http://www.argos-support.co.uk/>.



# Safety and Care Advice

**Important** - Please read these instructions fully before starting assembly

- Check you have all the components and tools listed on pages 2 and 3.
- Remove all fittings from the plastic bags and separate them into their groups.
- Keep children and animals away from the work area, small parts could choke if swallowed.
- Make sure you have enough space to layout the parts before starting.

- Do not stand or put weight on the product, this could cause damage.
- Assemble the item as close to its final position (in the same room) as possible.
- Assemble on a soft level surface to avoid damaging the unit or your floor.
- Parts of the assembly will be easier with 2 people.



power drill is set on a low torque setting.

- To reduce the likelihood of damaging your product please ensure that your

## Care and maintenance

- Only clean using a damp cloth and mild detergent, do not use bleach or abrasive cleaners.
- From time to time check that there are no loose screws on this unit.
- This product should not be discarded with household waste. Take to your local authority waste disposal centre.

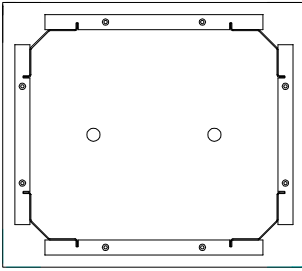
## Handy Hints

- Assemble all parts and bolts loosely during assembly, only once the product is complete should you fully tighten the bolts
- Regularly check and ensure that all bolts and fittings are tightened properly.

# Components - Panels

If you have damaged or missing components, call the **Customer Helpline: 03456 400800**. For further assistance please visit <http://www.argos-support.co.uk/>

Please check you have all the panels listed below



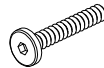


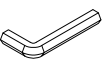
**1** Seat pad × 1  
(40 × 35cm)

**2** Leg × 4  
(35 × 5.6cm)

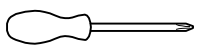
# Components - Fittings


Please check you have all the fittings listed below

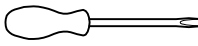
**Note:** The quantities below are the correct amount to complete the assembly. In some cases more fittings may be supplied than are required.

<p><b>A</b> </p> <p>Ø6×35mm Screw × 4</p>	<p><b>B</b> </p> <p>Ø6×20mm Washer × 4</p>	<p><b>C</b> </p> <p>Washer × 4</p>
<p><b>D</b> </p> <p>Allen Key × 1</p>		

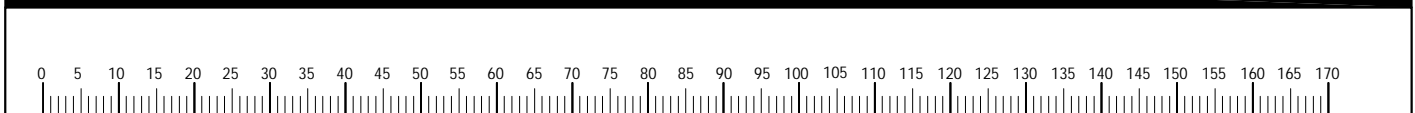
## Tools required

 Phillips screwdriver  
(medium & large)

 Small  
hammer

 Flatblade screwdriver  
(medium)

**Ruler** - Use this ruler to help correctly identify the screws

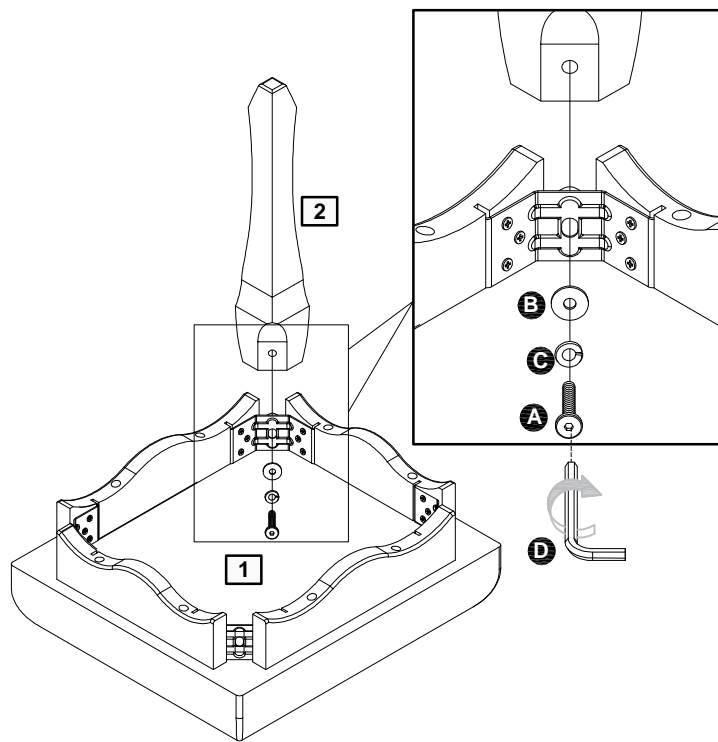


# Assembly Instructions

## Step 1

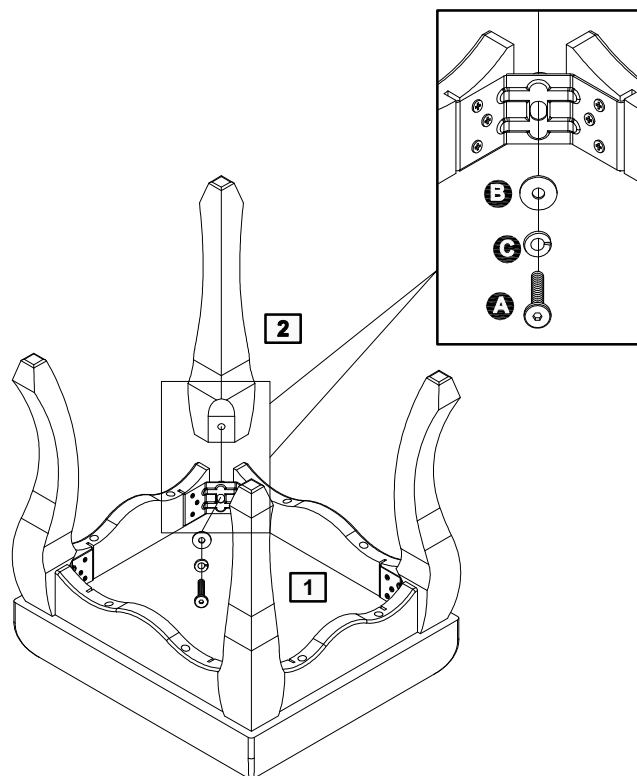
### Fixing legs to Base frame

Fixing legs **2** to Seat pad by using Screw **A** Washer **B** & **C** and turn Allen Key **D** clock wise to fix.



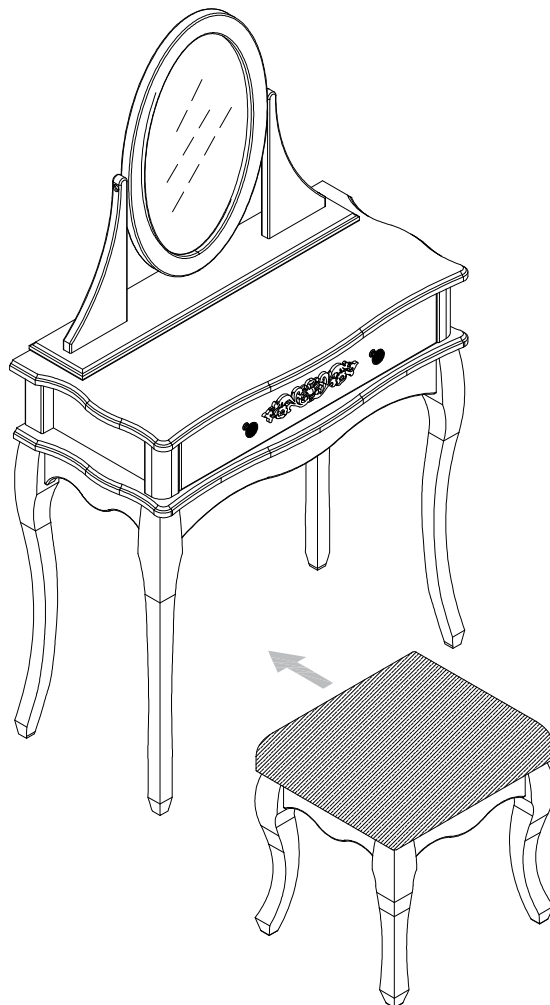
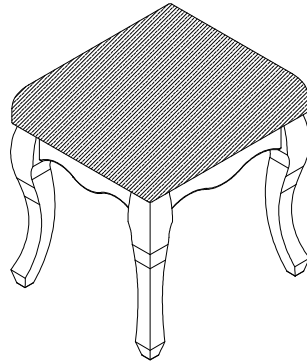
## Step 2

Repeat Step 1 to assemble the rest 3 legs.



# Assembly Instructions

## Step 3



Assembly is complete.

If you need help or have damaged or missing parts, call the **Customer Helpline: 03456 400800**.  
For further assistance please visit <http://www.argos-support.co.uk/>