

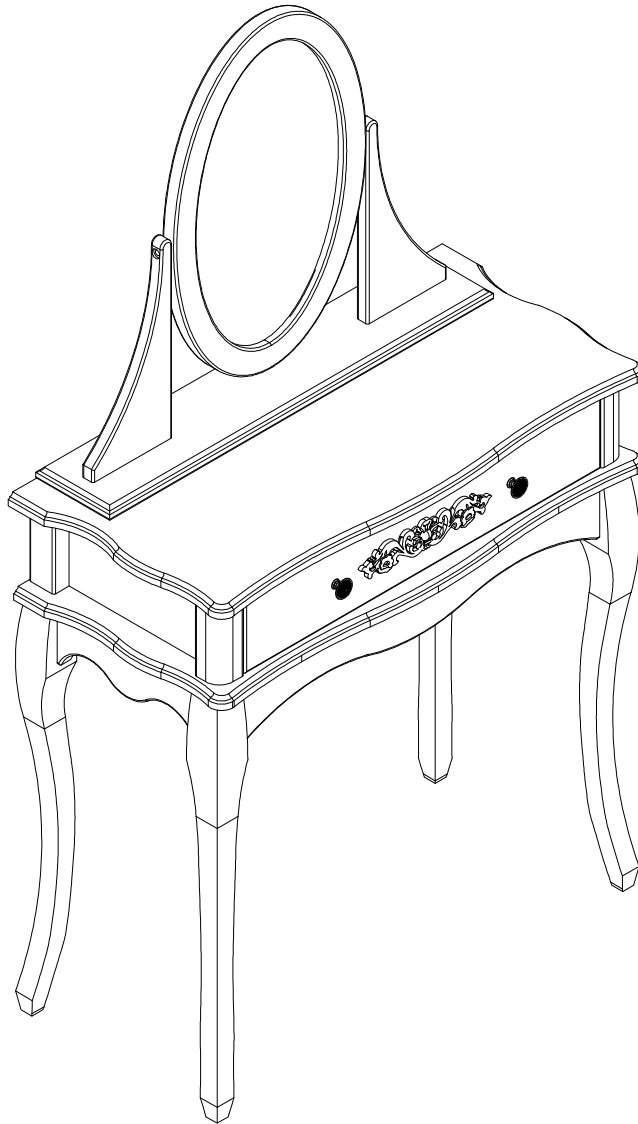
# Sophia Dressing Table, Stool and Mirror -Table & Mirror

Assembly Instructions - Please keep for future reference

471/9160

457/7656

501/2921



## Dimensions

Width - 80cm  
Depth - 38.5cm  
Height - 141.3cm

**Important** - Please read these instructions fully before starting assembly

If you need help or have damaged or missing parts, call the **Customer Helpline: 03456 400800**.  
For further assistance please visit <http://www.argos-support.co.uk/>.



# Safety and Care Advice

**Important** - Please read these instructions fully before starting assembly

- Check you have all the components and tools listed on pages 2 and 3.
- Remove all fittings from the plastic bags and separate them into their groups.
- Keep children and animals away from the work area, small parts could choke if swallowed.
- Make sure you have enough space to layout the parts before starting.

- Do not stand or put weight on the product, this could cause damage.
- Assemble the item as close to its final position (in the same room) as possible.
- Assemble on a soft level surface to avoid damaging the unit or your floor.
- Parts of the assembly will be easier with 2 people.



power drill is set on a low torque setting.

- To reduce the likelihood of damaging your product please ensure that your

## Care and maintenance

- Only clean using a damp cloth and mild detergent, do not use bleach or abrasive cleaners.
- From time to time check that there are no loose screws on this unit.
- This product should not be discarded with household waste. Take to your local authority waste disposal centre.

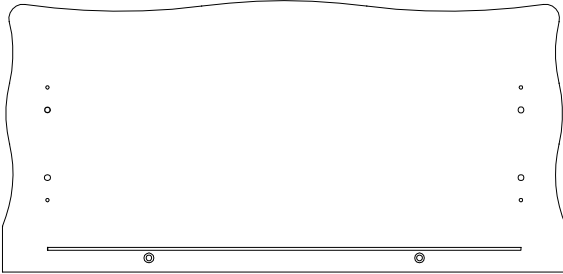
## Handy Hints

- Assemble all parts and bolts loosely during assembly, only once the product is complete should you fully tighten the bolts
- Regularly check and ensure that all bolts and fittings are tightened properly.

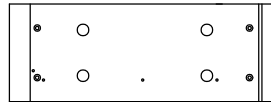
# Components - Panels

If you have damaged or missing componets, call the **Customer Helpline:03456 400800**. For further assistance please visit <http://www.argos-support.co.uk/>

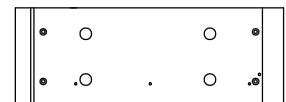
Please check you have all the panels listed below



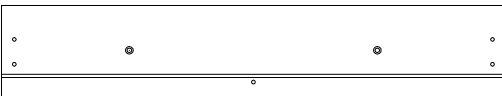
**1** Top ×1  
(80× 38.5cm)



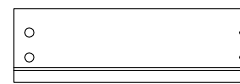
**2** Side, left ×1  
(34.6× 12.6cm)



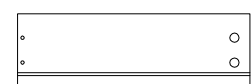
**3** Side, right ×1  
(34.6× 12.6cm)



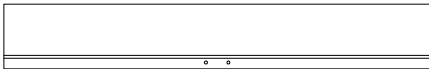
**4** Drawer front ×1  
(65× 11.8cm)



**5** Drawer side, left ×1  
(30× 9.5cm)



**6** Drawer side, right ×1  
(30× 9.5cm)



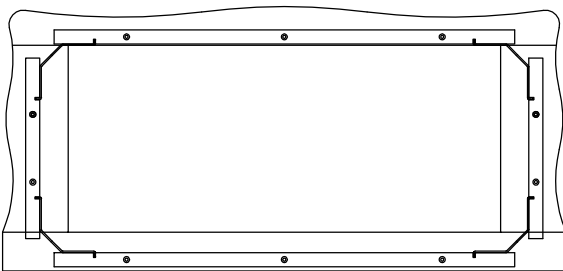
**7** Drawer back ×1  
(60.5× 9.2cm)



**8** Drawer bottom ×1  
(61.6× 29.9cm)



**9** Drawer support rail ×1  
(28.8× 5.7cm)



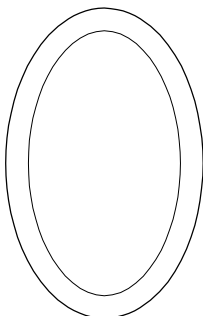
**10** Base fram ×1  
(79× 37.5cm)



**11** Back panel ×1  
(66.5× 13.7cm)



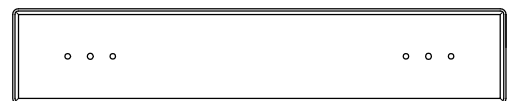
**12** Leg ×4  
(66.3× 5.6cm)



**13** Mirror ×1  
(55 × 35cm)



**14** Mirror post x 2  
(31.5 × 14.5cm)



**15** Mirror base ×1  
(70× 13.5cm)



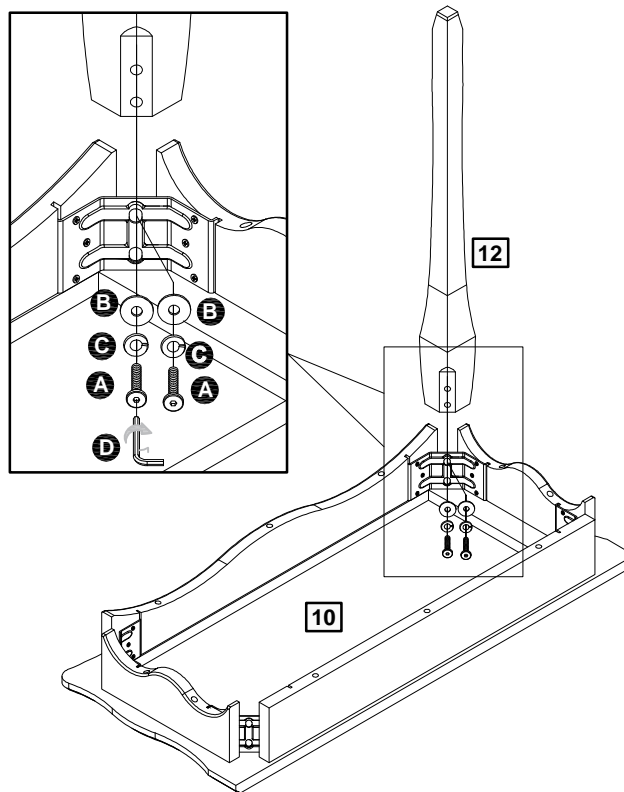


# Assembly Instructions

## Step 1

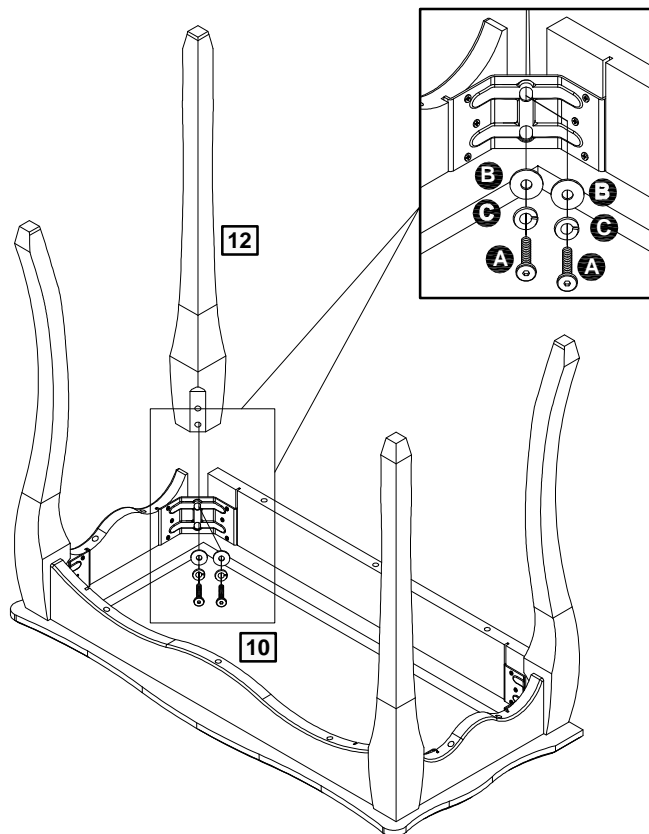
### Fixing legs to Base frame

Fixing legs **12** to Base Frame **10** by using Screw **A** Washer **B** & **C** and turn Allen Key **D** clock wise to fix.



## Step 2

Repeat Step 1 to assemble the rest 3 legs.



# Assembly Instructions

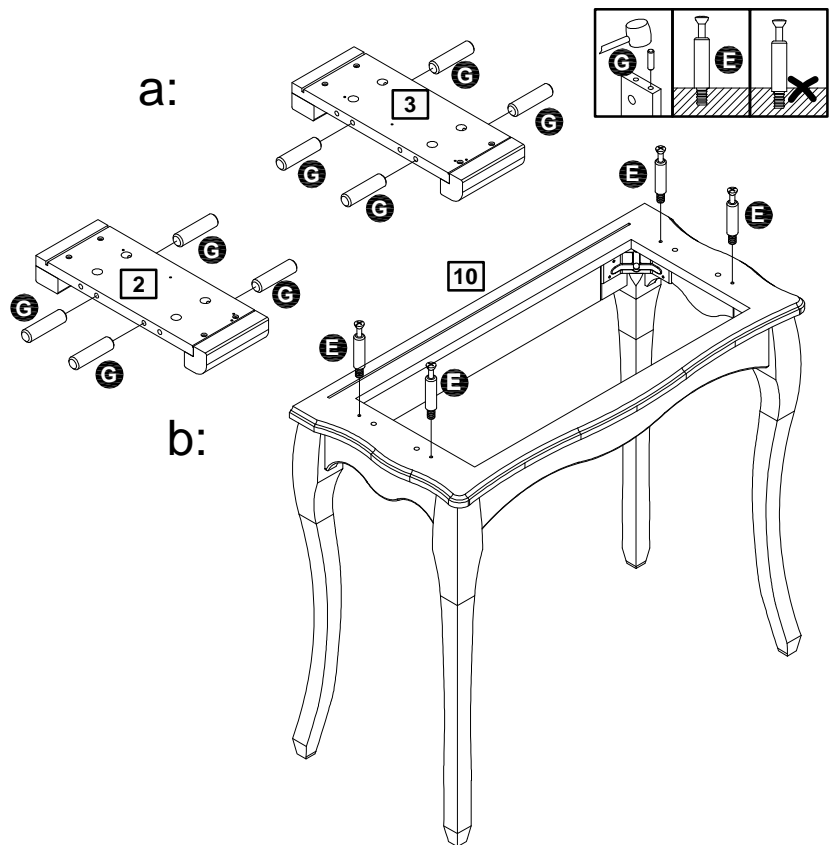
## Step 3

a: Insert Wooden dowel **G** to the Sides **2** and **3**.

b: Insert Large locking Pin **E** into Base frame **10**.

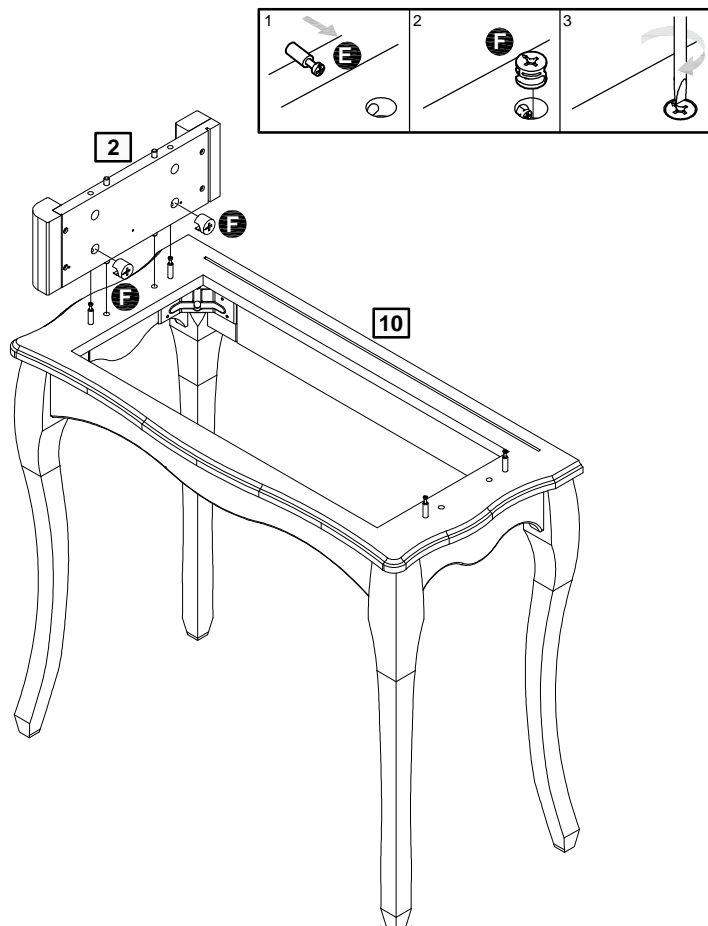
**Note:** Insert locking pin as shown.

**Do not over tighten.**



## Step 4

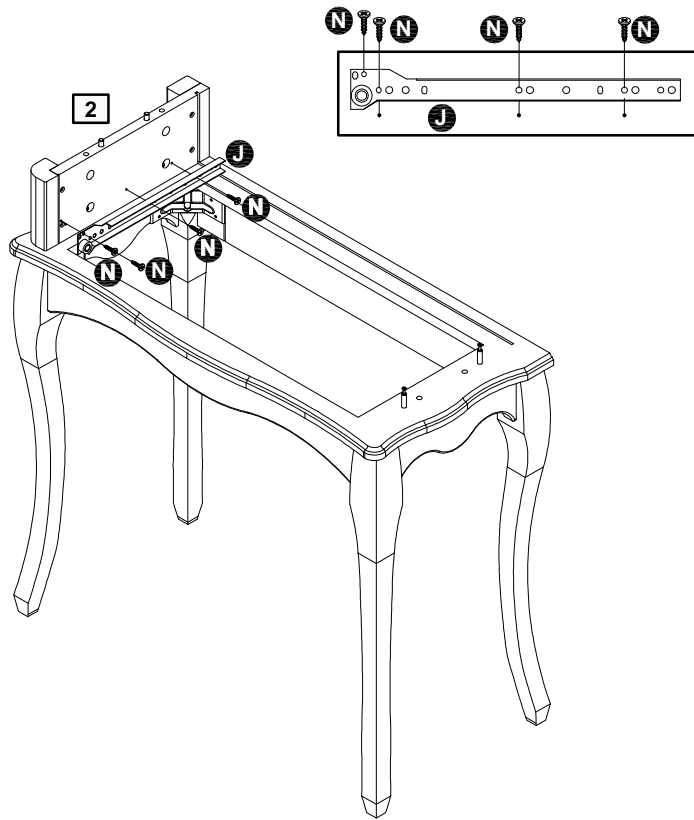
Attach Left Side **2** to the Base frame, insert Large locking Nut **F** into Left sides **2**, use screw driver to turn Locking nut clockwise to lock.



# Assembly Instructions

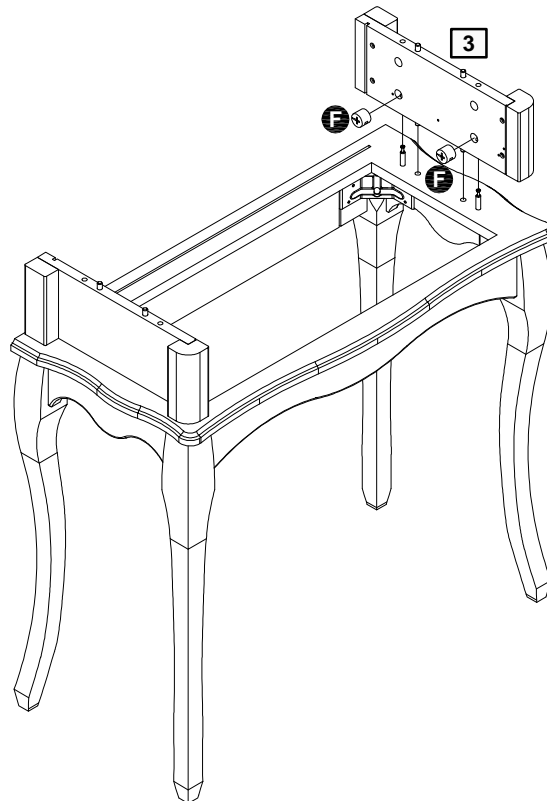
## Step 5

Fix Runner outside left **J**  
to Left Side **2** by  
Screws **N**.



## Step 6

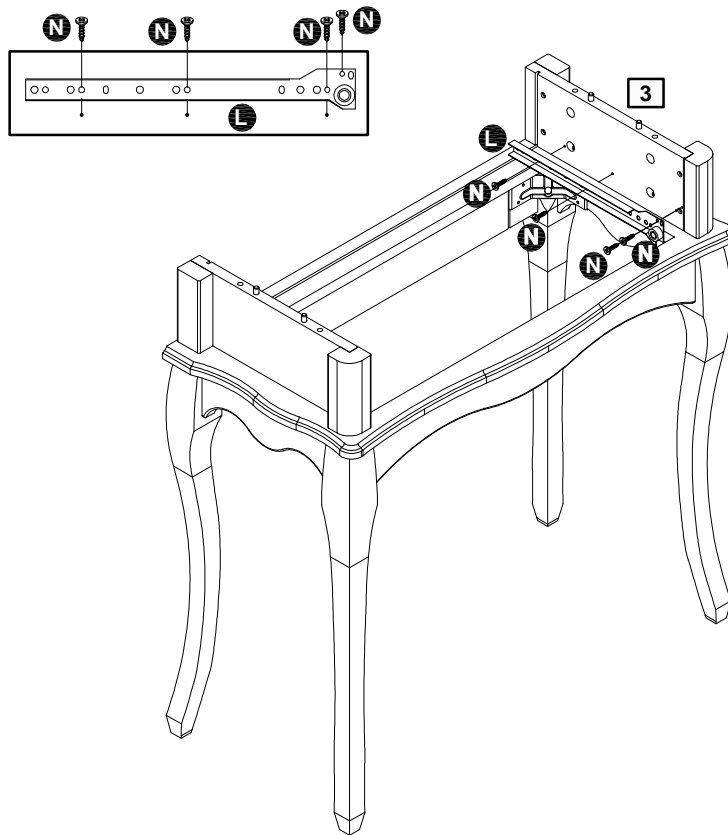
Repeat Step 4 to Right  
Side **3**.



# Assembly Instructions

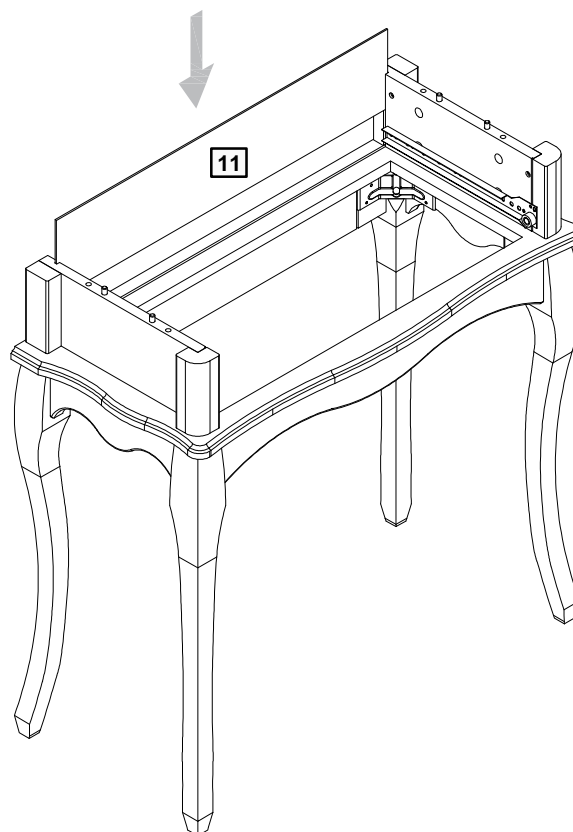
## Step 7

Repeat Step 5 to fix **L**  
Runner outside right to  
Right Side **3**.



## Step 8

Slip the Back panel **11**  
to the grooves on the  
Sides.





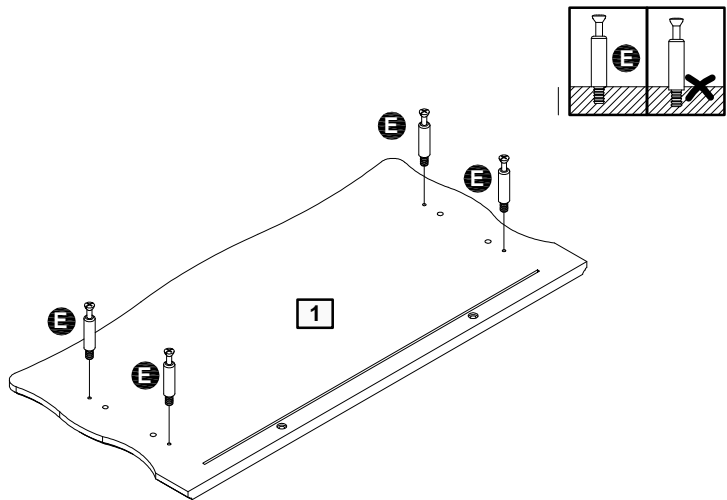
# Assembly Instructions

## Step 9

Insert Large locking Pin **E** into Top panel **1**.

**Note:** Insert locking pin as shown.

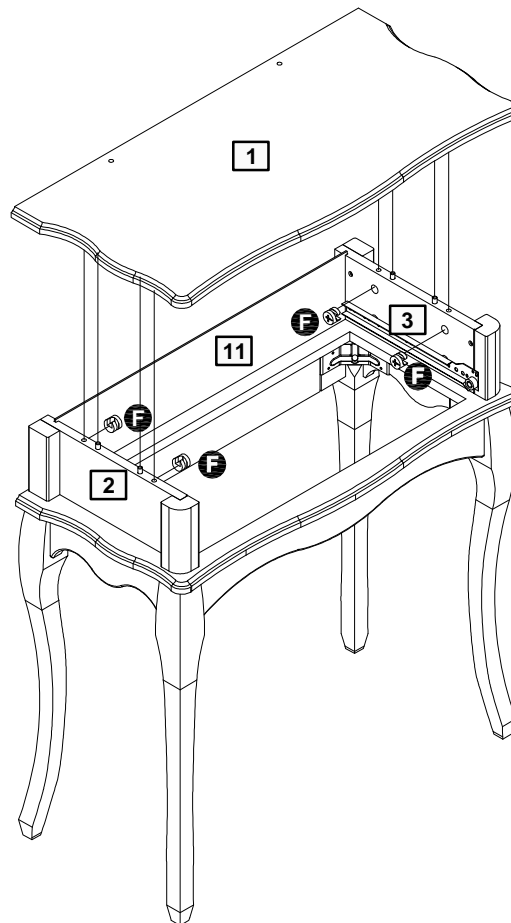
**Do not over tighten.**



## Step 10

Attach Top panel **1** to the unit.

Insert Large locking nut **F** as show on picture and use screw driver to trun Large locking nut clockwise to lock.



# Assembly Instructions

## Step 11

### Assembling the drawer.

**a:** Insert 5 Small locking pin **O** into holes shown on back of Drawer front **4**.

**Note:** Insert Locking pin as far as shown.

**Do not over tighten.**

**b:** Fix Drawer sides **5** and **6** and Drawer support rail **9** to Drawer front **4**.

Insert Small locking nuts into Drawers Sides and Drawer support rail.

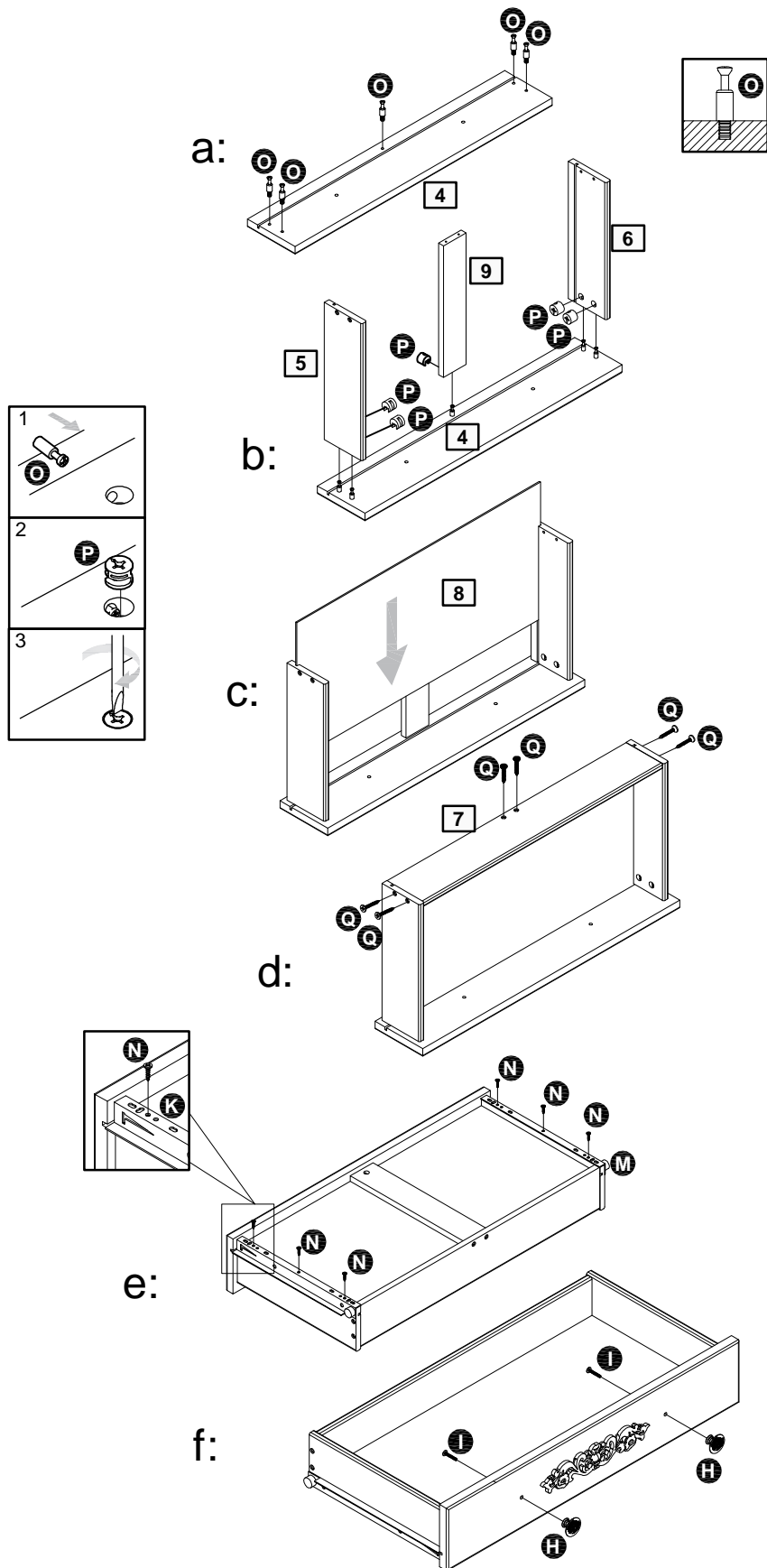
Use a screwdriver to turn locking nuts **P** clockwise to lock.

**c:** Slip Drawer base **8** into grooves on the Drawer walls.

**d:** Fix Drawer back **7** onto sides by using 6 Screws.

**e:** Fix Runner inside left **K** and Runer inside right **M** onto the underside of Drawer sides by using 6 Screws **N**.

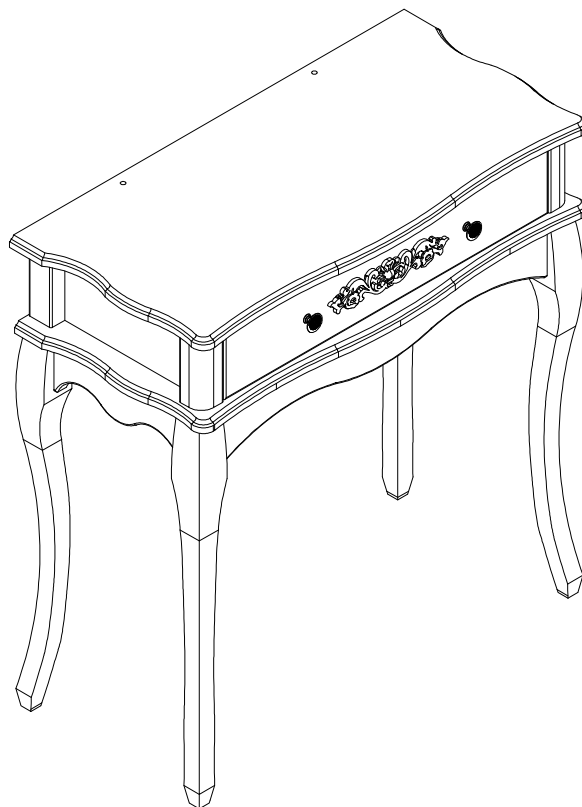
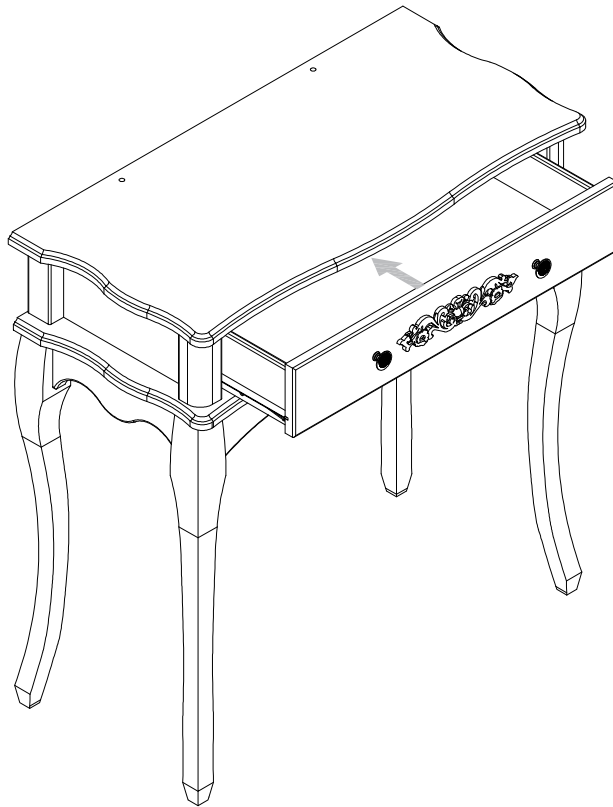
**f:** Fix Handle **H** by using Screw **L**.



# Assembly Instructions

## Step 12

Inserting the drawer carefully.



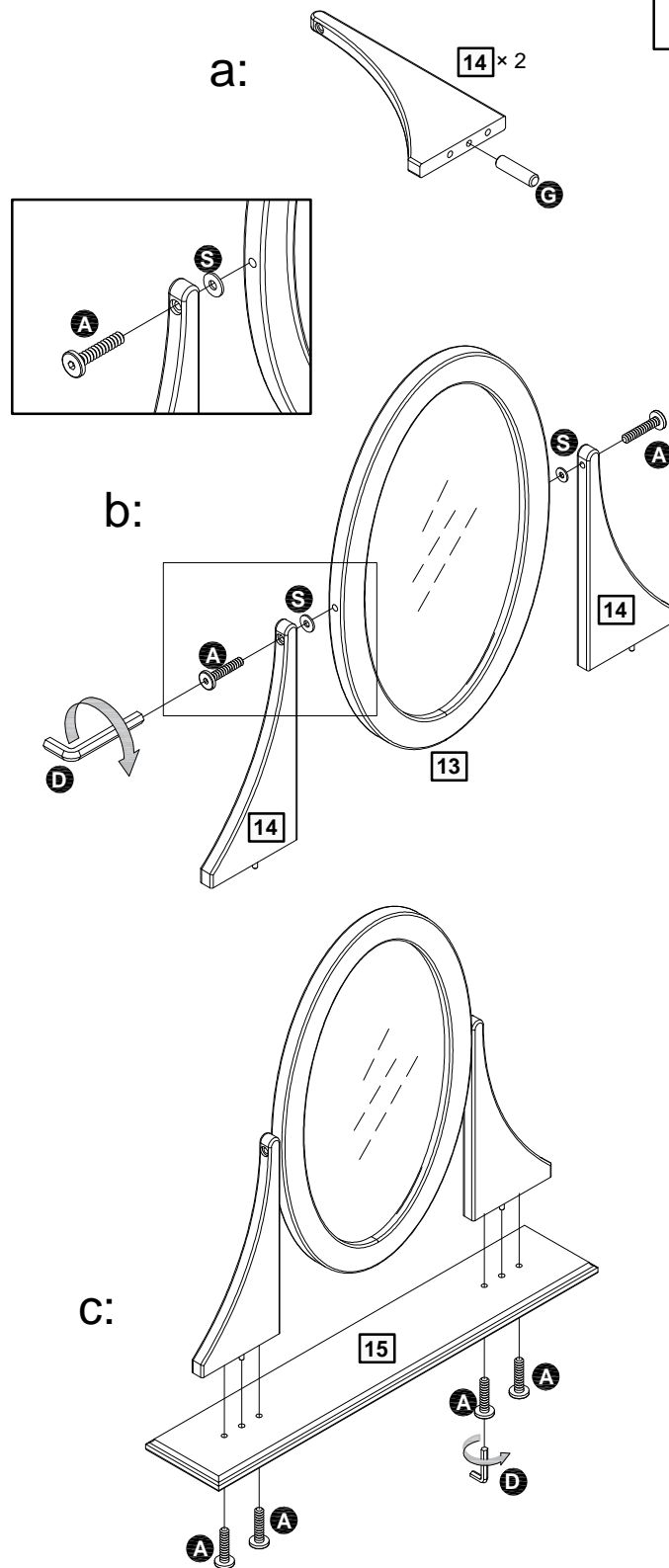
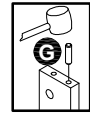
# Assembly Instructions

## Step 13

a. Insert Wooden dowels **G** into Mirror post **14** as show on picture.


b. Attach Mirror post to the Mirror **14** by Screw **A** and Washer **S** .

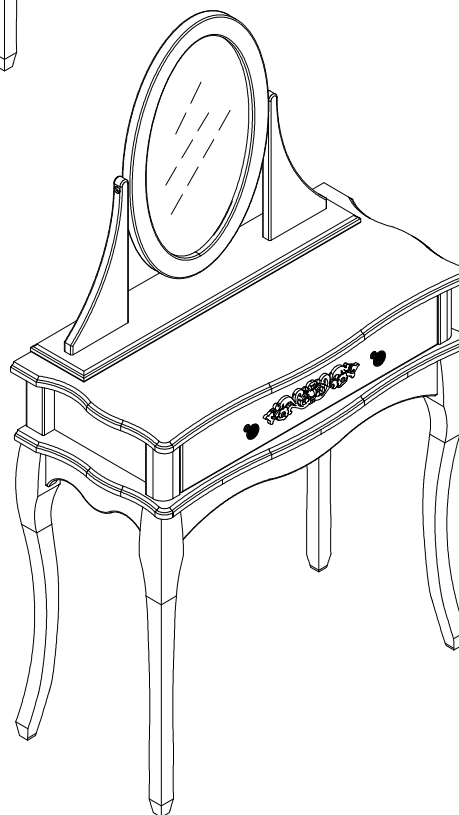
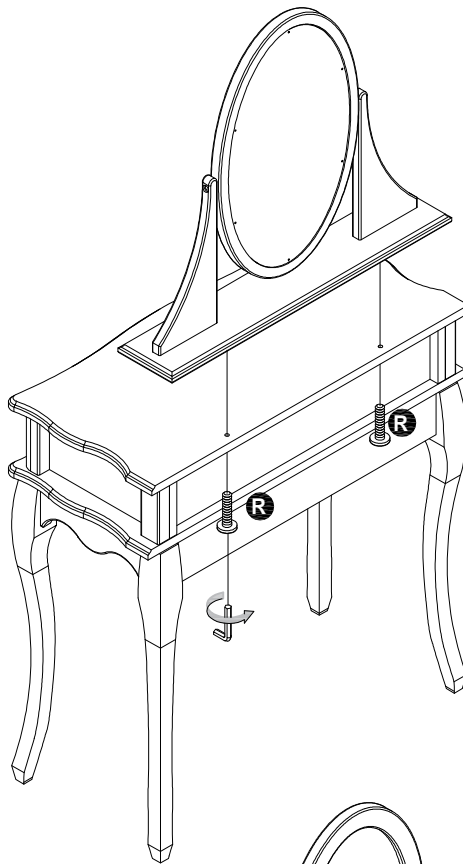
c. Attach Mirror post to Mirror base **15** by Screw **A** .



# Assembly Instructions

## Step 14

Put the mirror unit on the dressing table top panel and fix with Screw .



Assembly is complete.

If you need help or have damaged or missing parts, call the **Customer Helpline: 03456 400800**.  
For further assistance please visit <http://www.argos-support.co.uk/>