

COMPACT BUTTERFLR DINING SET

Assembly Instructions - Please keep for future reference

457/1607



Dimension	
Fully Extended	Chair
Width - 92cm	Width - 37.5cm
Length - 120cm	Depth - 48cm
Height - 75cm	Height - 74cm

Important – Please read these instructions fully before starting assembly

If you need help or have damaged or missing parts, call the **Customer Help line: 0345 6400800**



Safety and Care Advice

Important – Please read these instructions fully before starting assembly

- Check you have all the components and tools listed on the following pages.
- Remove all fittings from the plastic bags and separate them into their groups.
- Keep children and animals away from the work area, small parts could choke if swallowed.
- Make sure you have enough space to layout the parts before starting.
- Parts of the assembly will be easier with 2 people.

- During assembly do not stand or put weight on the product, this could cause damage.
- Assemble the item as close to its final position (in the same room) as possible.
- Assemble on a soft level surface to avoid damaging the unit or your floor.



- To reduce the likelihood of damaging your product please **ensure that your** power drill is set on a low torque setting.
- Do not stand on the chair.
- Do not use this chair as a step ladder.
- Maximum safe weight of user on the chair: 110kgs.

Care and maintenance

- Only clean using a damp cloth and mild detergent, do not use bleach or abrasive cleaners.
- From time to time check that there are no loose screws on this unit.
- This product should not be discarded with household waste. Take to your local authority waste disposal centre.

Handy Hints

- Assemble all parts and bolts loosely during assembly, only once the product is complete should you fully tighten the bolts.
- Regularly check and ensure that all bolts and fittings are tightend properly.

Components - Panels

If you have damaged or missing components, call the **Customer Helpline: 0345 6400800**

Please check you have all the panels listed below



1 Supporting bar x 2
(87 x 2 cm)



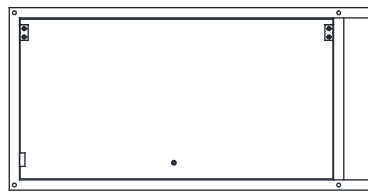
2 Supporting bar x 2
(87 x 2 cm)



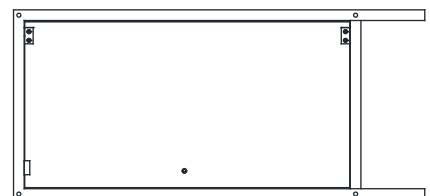
3 Bottom board
(80 x 30 cm)



4 Side frame x 2
(67.5 x 43 cm)



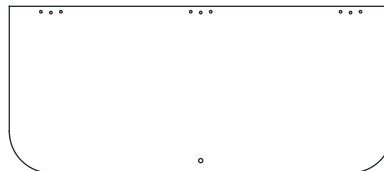
5 Front panel
(67.5 x 34 cm)



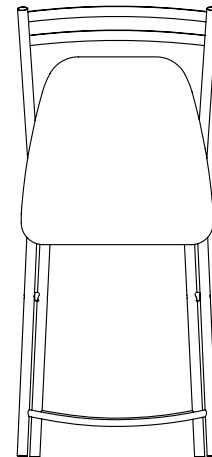
6 Back panel
(73 x 34 cm)



7 Middle table top
(92 x 40 cm)



8 Side table top x 2
(92 x 40 cm)


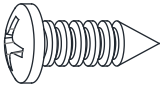







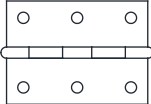


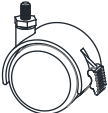
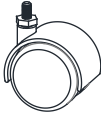
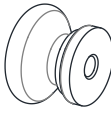


9 Folding chairs x 4
(75.4 x 37.5 cm)

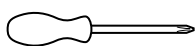
Components - Fittings

Please check you have all the fittings listed below

Note: The quantities below are the correct amount to complete the assembly. In some cases more fittings may be supplied than are required.

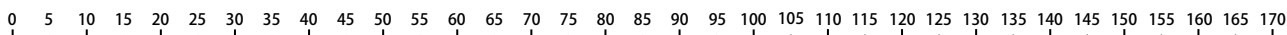
A 12mm Bolt x 36 	B 14mm Bolt x 4 	C 20mm stopper x 2 
D 22mm Bolt x 2 	E 34mm Bolt x 4 	F 42mm Bolt x 8 
G Spring washer x 12 	H Small plain washer x 12 	I Plain washer x 4 
J Hinge x 6 	K Hex key x 1 	L Wrench x 1 
M Castor with lock x 2 	N Castor x 2 	O Handle x 2 

Tools required



Phillips screwdriver
(Medium)

Ruler - Use this ruler to help correctly identify the screws



Assembly Instructions

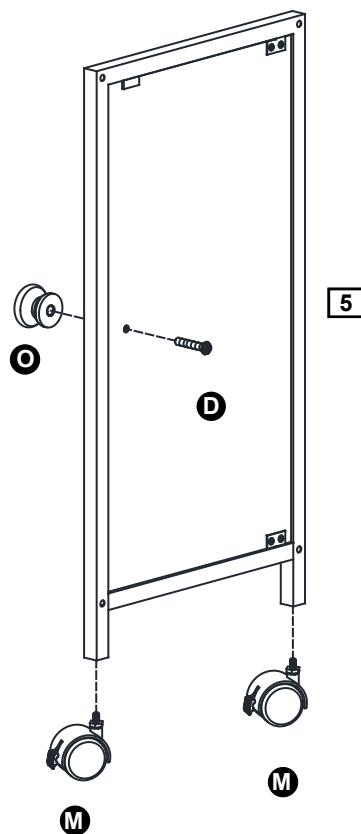
Step 1

a: Assemble handle

Fix handle **O** to front panel **5** using bolt **D**.

b: Assemble castor

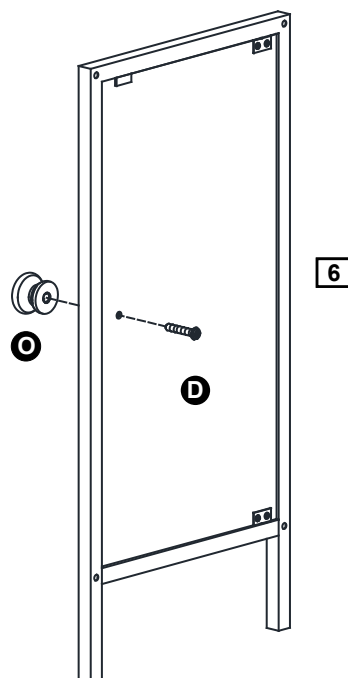
Screw castor **M** into front panel



Step 2

Assemble handle

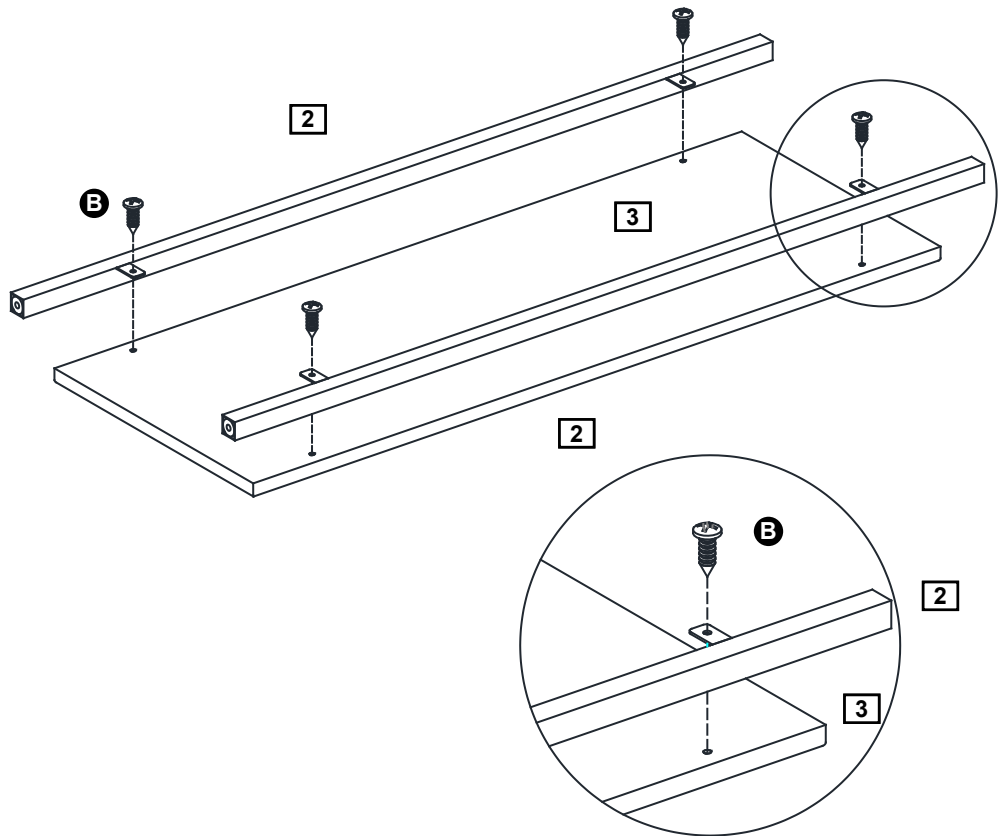
Fix handle **O** to back panel **6** using bolt **D**



Assembly Instructions

Step 3

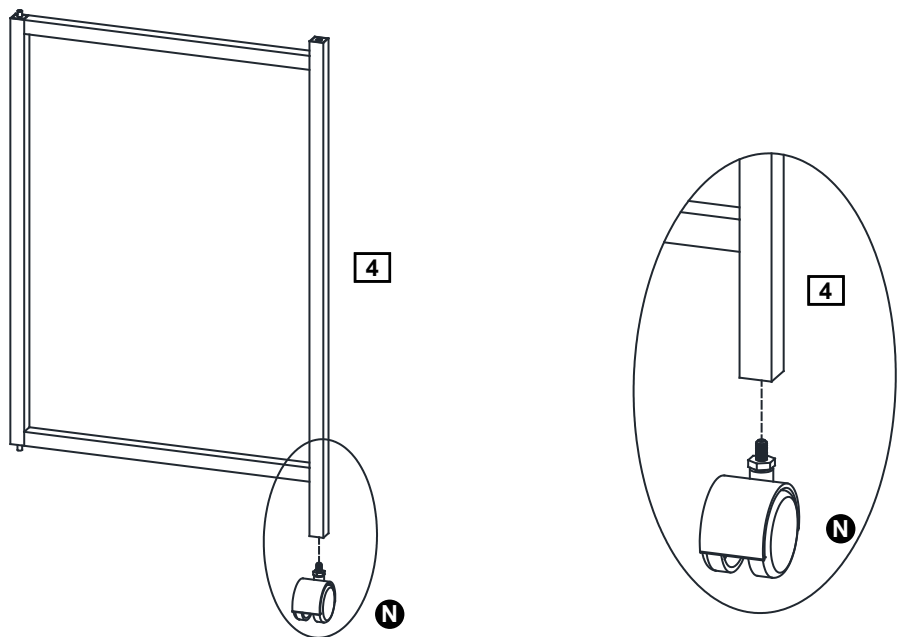
Fix supporting bar **2** to the bottom board **3** using bolts **B**



Step 4

Assemble castor

Screw castor **N** into side frame **4**.



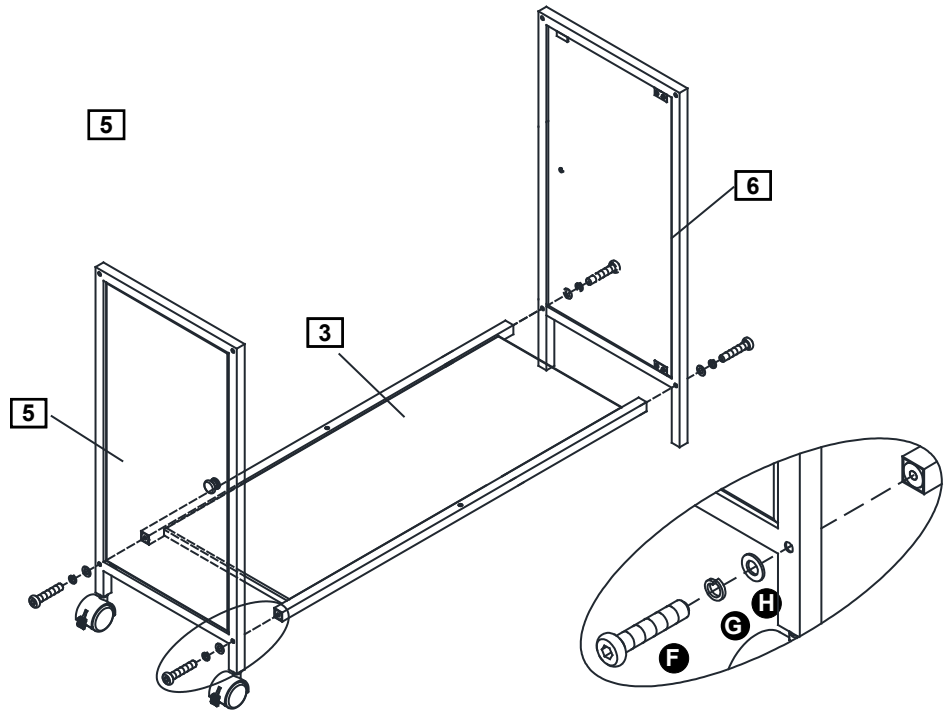
Assembly Instructions

Step 5

Assemble the frame unit

Attach front and back panels using bolts **F**
spring washer **G**
plain washer **H**

Note: Do not fully tighten bolts.



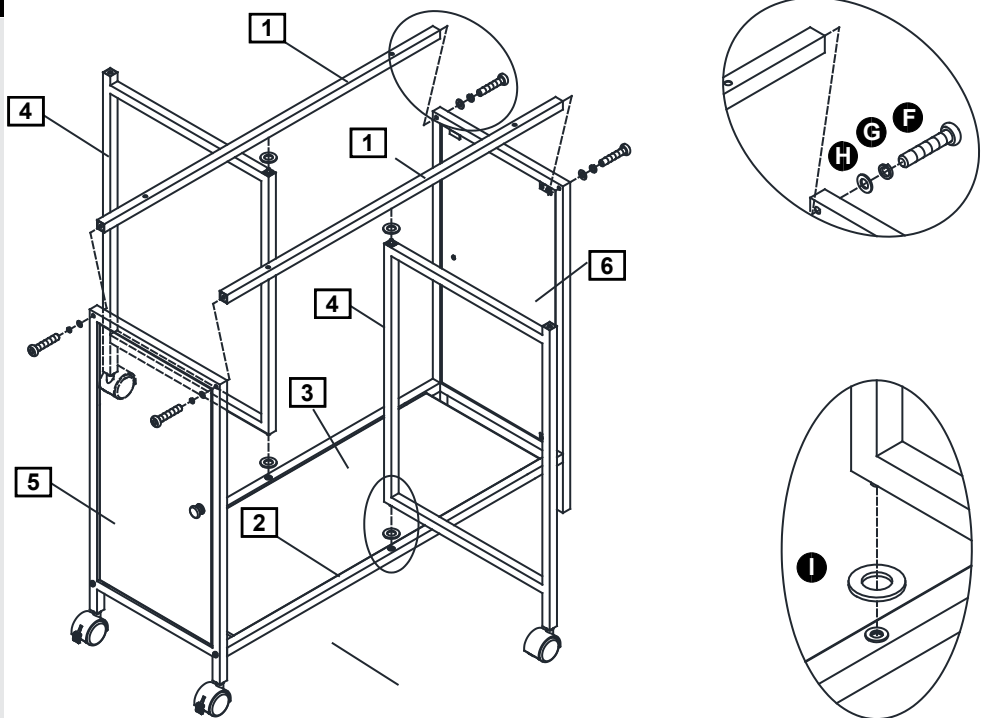
Step 6

Assemble the frame unit

a: position side frame **4**
onto the supporting bar **2**
using plain washer **I**

b: Attach front and back
panels and side frame onto
supporting bar **1** using
bolts **F** spring washer **G**
small plain washer **H**

Note: Please fully tighten the bolts.



Assembly Instructions

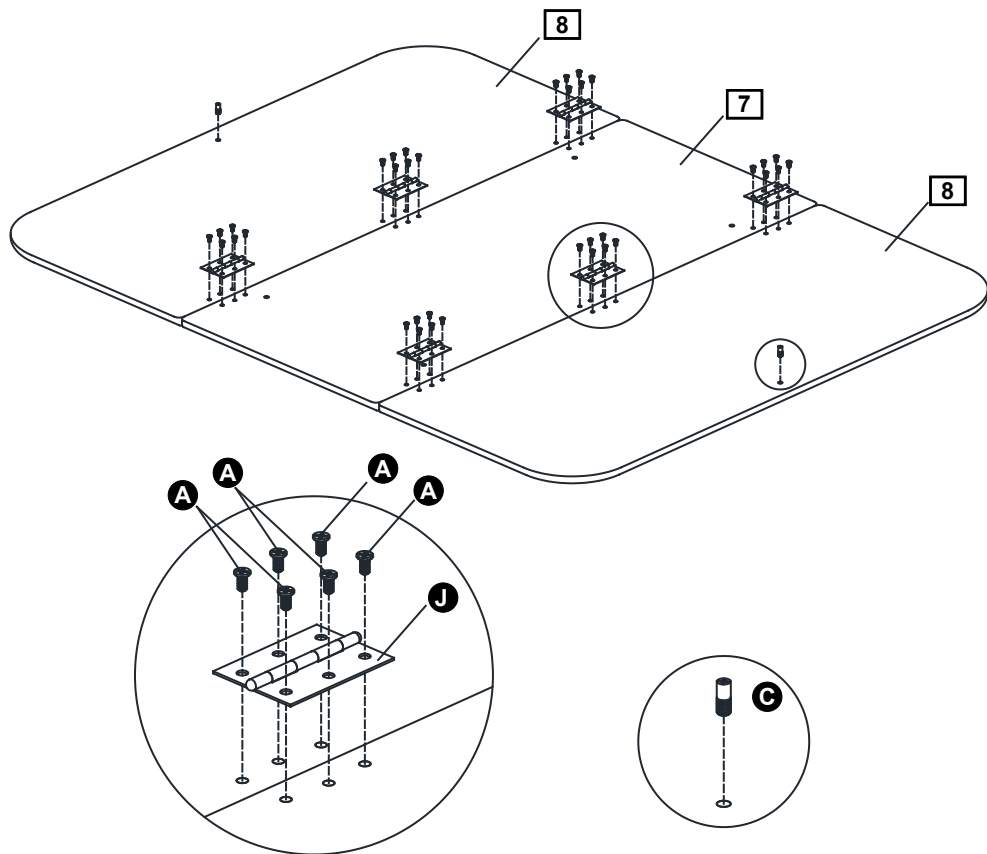
Step 7

Assemble table top

Two people are needed here.

Place the table tops upside down, fix side table tops **8** onto middle table top **7** using bolts **A** and hinges **J**

Screw stoppers **C** into the side table tops.



Step 8

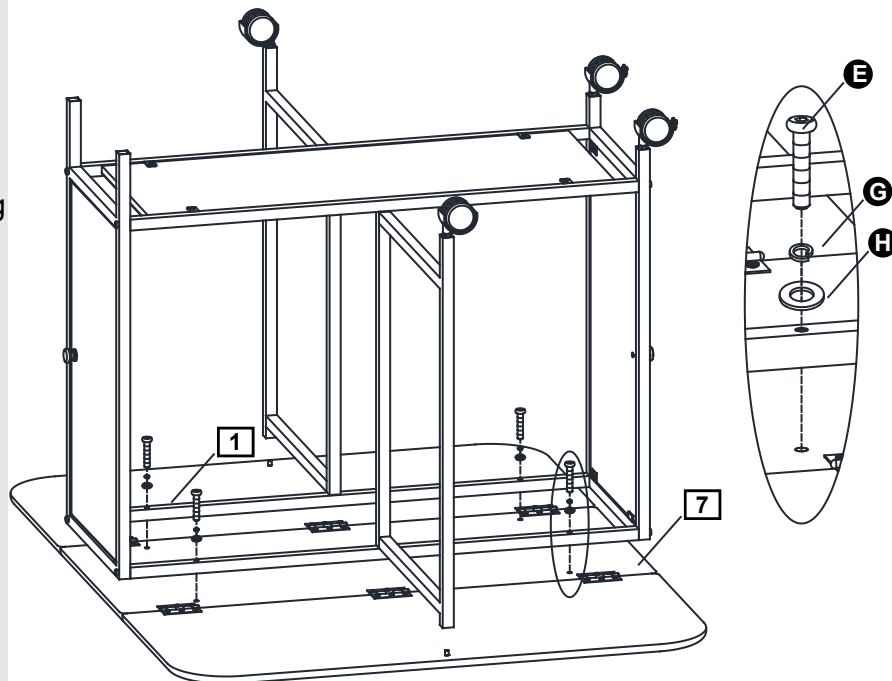
Finishing the unit

Two people are needed here.

Attach supporting bar **1** to middle table top **7** using bolts **E**, spring washer **G** plain washer **H**

Note: Re-tighten all the bolts.

Turn the table upright.

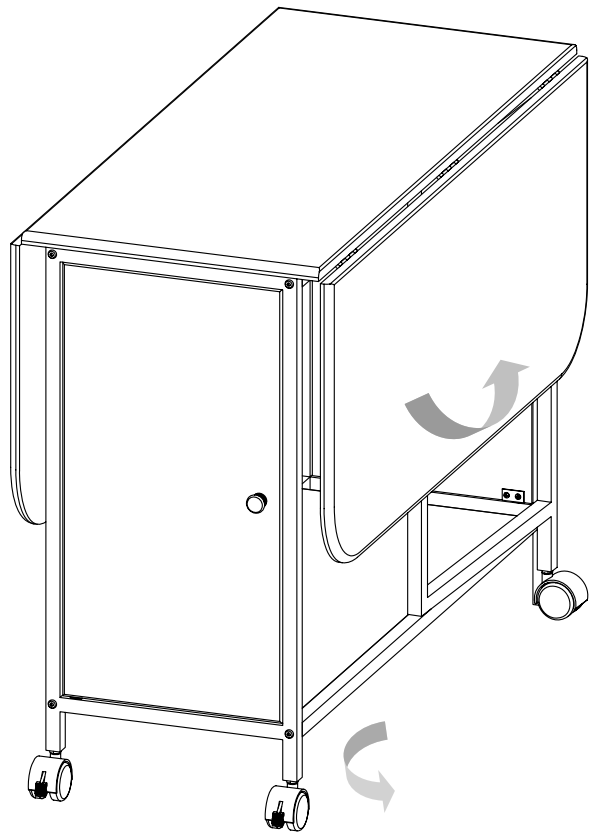


Assembly Instructions

Step 9

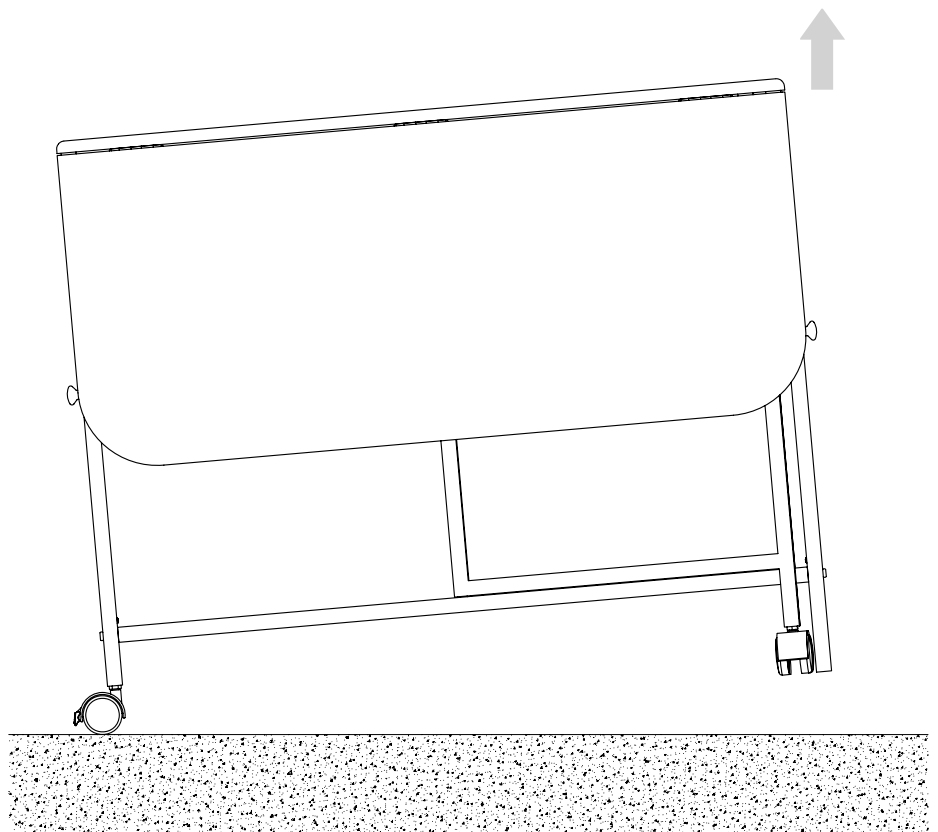
Additional information

a: Depending on your requirement open one or both of the side table top and ensure the side frame is locked.



Step 9

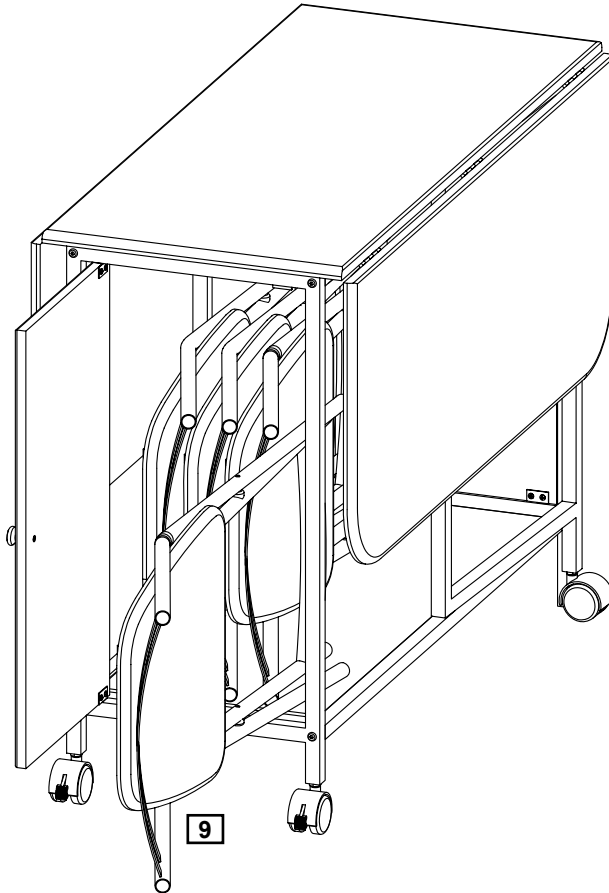
b: To move the table, lift up the end opposite to the castors position as shown in the figure.



Assembly Instructions

Step 9

C: To save space, the chairs **9** can be put inside the table as shown.



Step 10

Remark:
For chairs use
please ensure supporting
bar **b** is secured with
plastic cap **a**

