

## K 4 Power Control K 4 Premium Power Control

English 6  
العربية 19



Read Online



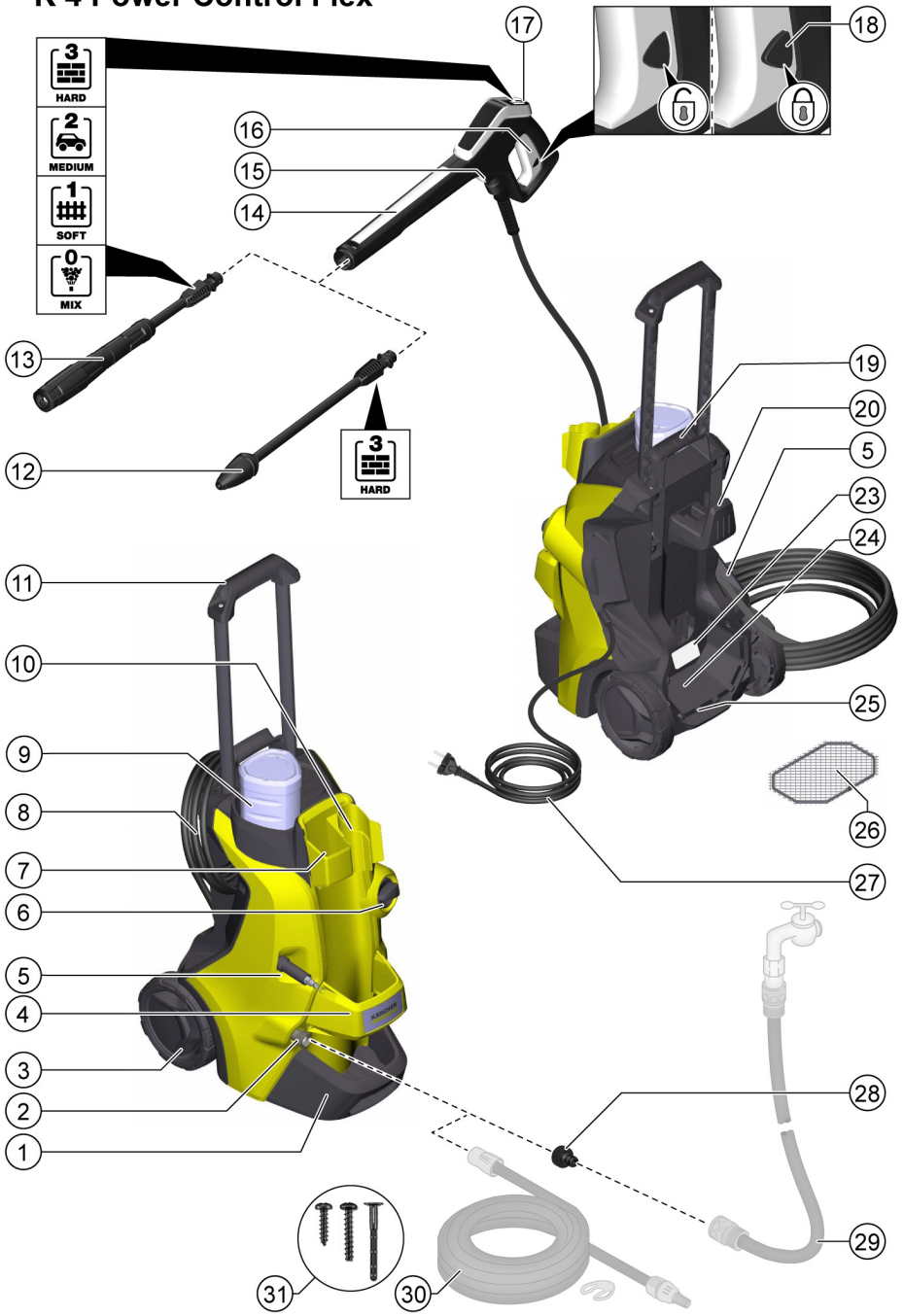
59795560 (08/24)



**Register  
your product**  
www.kaercher.com/welcome

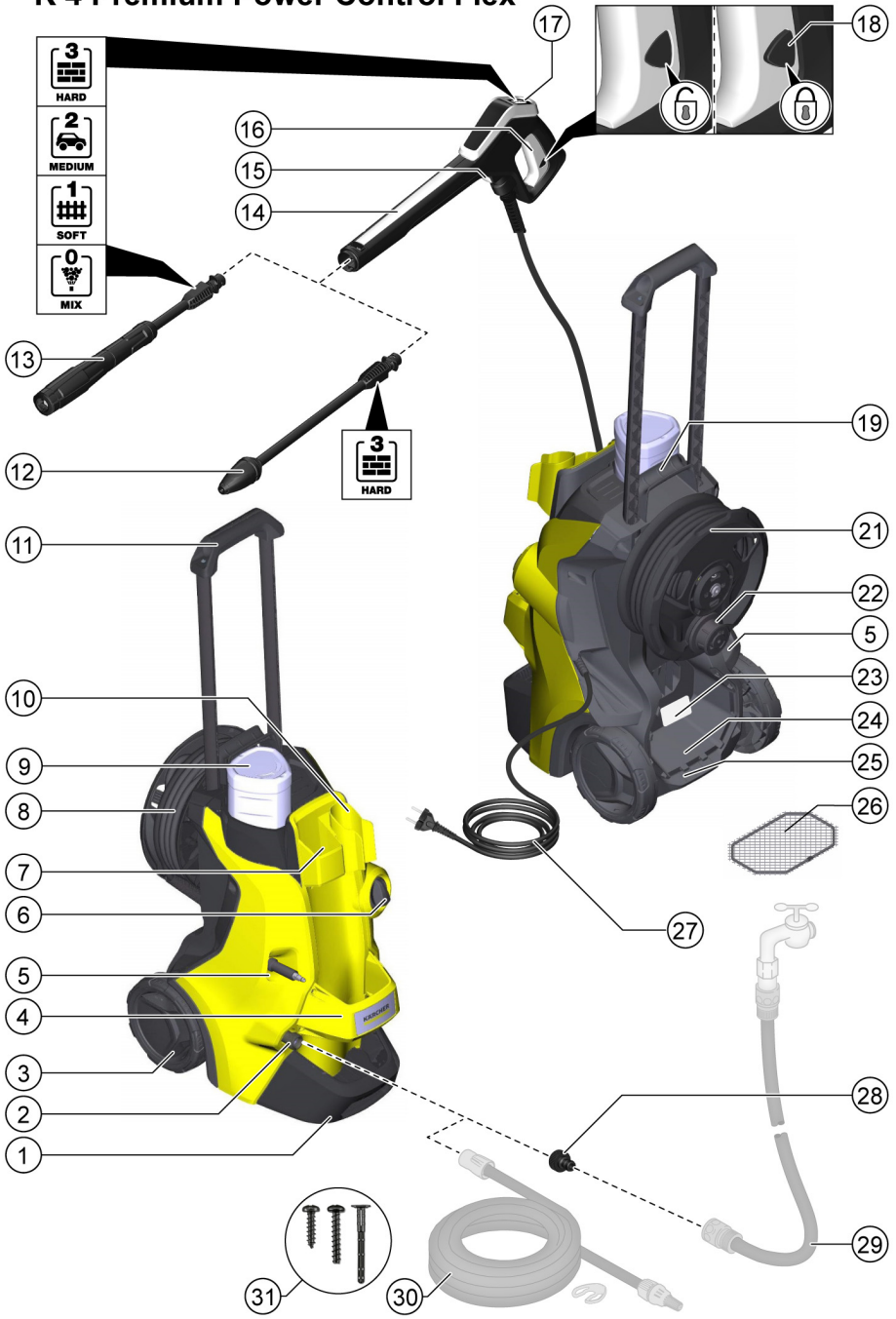
**A**

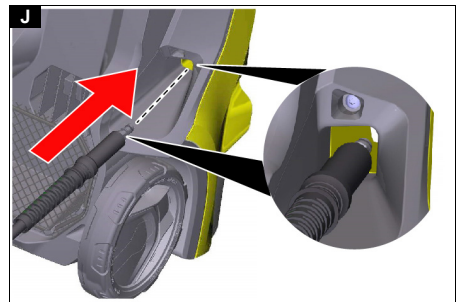
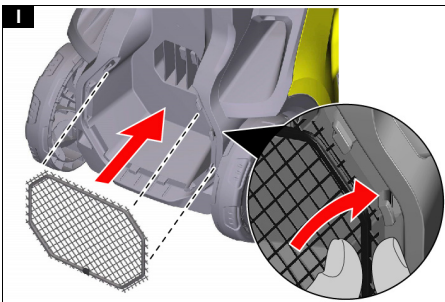
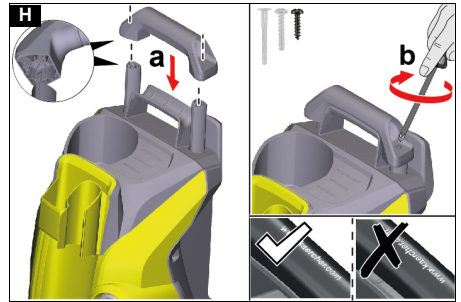
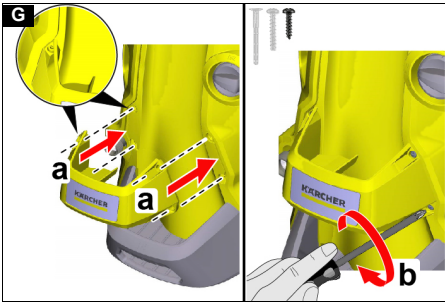
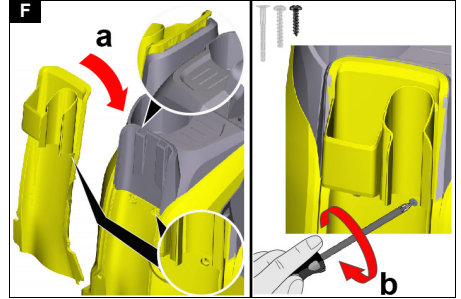
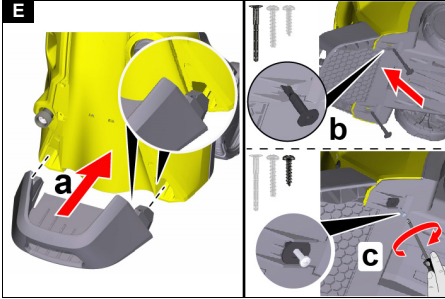
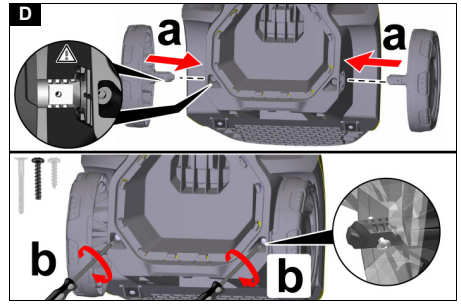
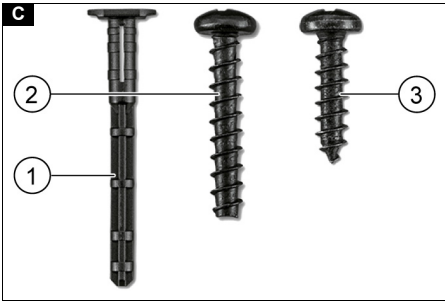
# K 4 Power Control Flex

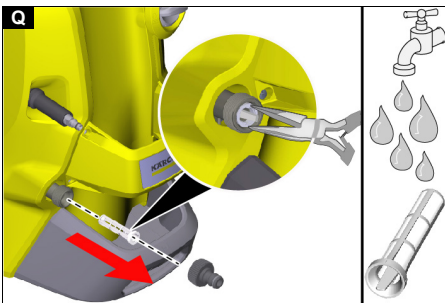
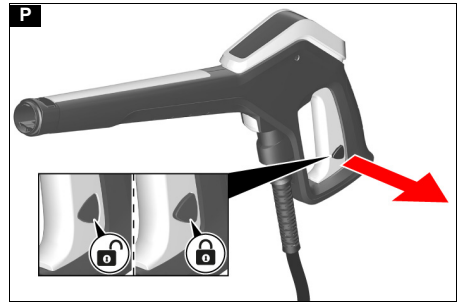
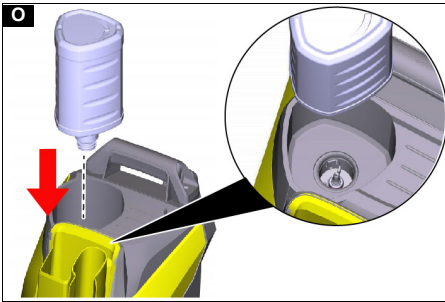
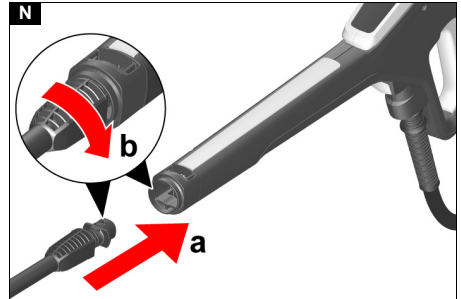
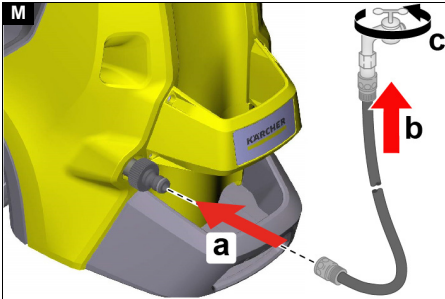
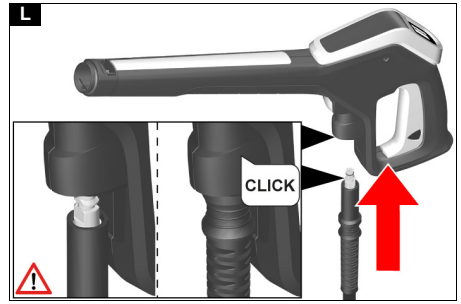
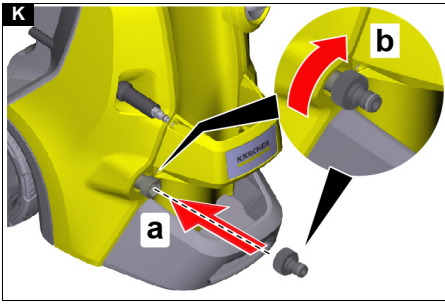


**B**

# K 4 Premium Power Control Flex







## Contents

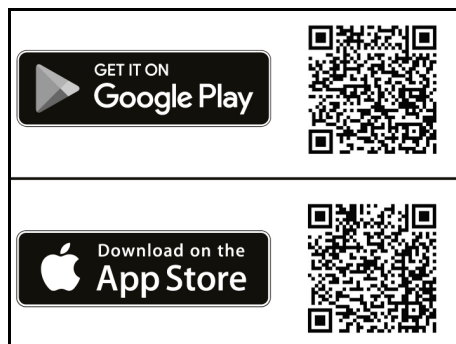
KÄRCHER Home & Garden app .....	6
Safety instructions .....	6
Environmental protection .....	8
Intended use .....	8
Accessories and spare parts .....	8
Scope of delivery .....	8
Device description .....	8
Safety devices .....	9
Symbols on the device .....	9
Installation .....	9
Initial startup .....	9
Operation .....	10
Transport .....	11
Storage .....	11
Care and service .....	11
Troubleshooting guide .....	12
Warranty .....	12
Technical data .....	12
Declaration of Conformity .....	13

## KÄRCHER Home & Garden app

The KÄRCHER Home & Garden app contains:

- Installation and initial startup information
- Information about the areas of application
- Tips & Tricks
- FAQ with detailed troubleshooting
- Connection to the KÄRCHER Service Centre

The app can be downloaded here:



### Trademarks

- Google Play™ and Android™ are trademarks or registered trademarks of Google Inc.
- Apple® and App store® are trademarks or registered trademarks of Apple Inc.

## Safety instructions



Read this safety chapter and these original instructions before using the device for the first time. Act in accordance with them. Keep the original instructions for future reference or for future owners.

- In addition to the notes in the operating instructions, you also need to take into consideration the general safety regulations and accident prevention guidelines applicable by law.
- Warnings and information notices attached to the device provide important information for hazard-free operation.

### Hazard levels

#### **⚠ DANGER**

- Indication of an imminent threat of danger that will lead to severe injuries or even death.

#### **⚠ WARNING**

- Indication of a potentially dangerous situation that may lead to severe injuries or even death.

#### **⚠ CAUTION**

- Indication of a potentially dangerous situation that may lead to minor injuries.

#### **ATTENTION**

- Indication of a potentially dangerous situation that may lead to damage to property.

### Operation

**⚠ DANGER** • Operation in explosive atmospheres is prohibited. • Never suction solvents, liquids containing solvents or undiluted acids. This includes e.g. petrol, paint thinner or heating oil. The spray mist is highly flammable, explosive and poisonous. • Damaged wheels / tyre valves are extremely dangerous. Damaged wheels / tyre valves can be damaged by the high-pressure jet and explode. The first sign of this is discolouration of the tyres. Keep a spray distance of at least 30 cm when cleaning the wheels / tyre valves.

**⚠ WARNING** • Do not use the device if people without the proper protective clothing are in its reach. • Do not aim the high-pressure jet at yourself, e.g. to clean clothes or shoes. • Do not direct the high-pressure jet at persons, animals, live electrical equipment or at the device itself. • Do not spray any objects which contain harmful substances (e.g. asbestos). • Check the device and the accessories, such as the high-pressure hose, high-pressure gun and safety devices, to make sure they are in proper safe and reliable condition before each operation. Do not use the device if it is damaged. Replace damaged components immediately. • Only use high-pressure hoses, control panels and couplings specified by the manufacturer. • Risk of scalding. When disconnecting the supply or high-pressure hose, hot water can leak out of the connections after operation.

**⚠ CAUTION** • According to the applicable regulations, the appliance may never be used with the drinking water network without a system separator. Ensure that the connection to your house water system, with which the high-pressure cleaner is operated, is equipped with a system separator according to EN 12729 type BA. • Water that has flowed through a system separator is no longer classified as drinkable. • Never leave the device unsupervised while it is in operation. • Recoil force from the water stream emerging at the high-pressure nozzle acts on the high-pressure gun. Keep proper footing and hold the high-pressure gun and spray lance firmly. • Accidents or damage due to the device falling over. Before all actions with or on the device, you must make sure that it is stable.

**ATTENTION** • Do not operate the device at temperatures below 0 °C.

#### Protective gear

**⚠ CAUTION** • Wear suitable protective clothing and safety goggles to protect yourself from water or dirt backsplash. • Aerosols can be formed when using high-pressure cleaners. Inhaling aerosols can be harmful for your health. Depending on the application, the use of fully shielded nozzles (e.g. surface cleaners) can significantly lower the emission of aqueous aerosols. Depending on the environment to be cleaned, wear a suitable respiratory protective mask of class FFP 2 or comparable to protect yourself from inhaling aerosols if the use of a fully shielded nozzle is not possible.

#### Risk of electric shock

**⚠ DANGER** • Only connect protection class I devices to properly earthed power sources. • Only connect the device to alternating current. The voltage indicated on the type plate must match the voltage of the power source. • Only operate the device via a fault current protection switch (maximum 30 mA). • Never touch the mains plug and socket with wet hands. • The mains plug and coupling of the extension cable must be water tight and may not be placed in water. The coupling may not be on the floor. Use cable drums to ensure that the sockets are at least 60 mm above the floor. • All live parts in the work area must be protected against water jets.

**⚠ WARNING** • Only connect the device to an electrical connection which has been set up by a qualified electrician as per IEC 60364-1. • Check that the mains connection cable with mains plug is undamaged each time before using the device. To avoid any possible danger, a damaged mains connection cable must be immediately replaced by the manufacturer, or the authorised customer service department or a qualified electrician. • Do not damage the power supply and extension cable by running over it, crushing or yanking it or similar. Protect the power supply cable from heat, oil and sharp edges. • Unsuitable electrical extension cables are dangerous. Only use approved and appropriately marked electrical extension cables with a sufficient line cross section when outdoors: 1-10 m : 1.5 mm<sup>2</sup>, 10-30 m : 2.5 mm<sup>2</sup>

**⚠ CAUTION** • Always fully unwind the extension cable from the cable drum. • In case of longer breaks in operation and after use, switch off the device at the main switch / device switch and pull the mains plug.

#### Operation with detergent

**⚠ WARNING** • Incorrect use of detergents can cause serious injuries or poisoning.

**⚠ CAUTION** • Keep the detergent out of the reach of children. • Only use the detergents supplied or specified by the manufacturer. The use of other detergents or chemicals can impair the safety of the device.

#### Care and service

**⚠ WARNING** • Always pull out the mains plug before all care and maintenance work.

**⚠ CAUTION** • Have repair work and work on electrical components carried out by the authorised customer service only.

**ATTENTION** • Do not use acetone, undiluted acids or solvents, as they corrode the materials used on the device.

#### Transportation

##### ⚠ CAUTION

• Risk of accidents and injuries. Take into account the weight of the device for transportation and storage. See chapter Technical data in the operating instructions.

#### General safety instructions

**⚠ DANGER** • Risk of asphyxiation. Keep packaging film out of the reach of children.

**⚠ WARNING** • Only use the device for its proper use. Take into account the local conditions and beware of third parties, in particular children, when working with the device. • Persons with reduced physical, sensory or mental capabilities and persons lacking experience and knowledge may only use the appliance if they are properly supervised, have been instructed on use of the appliance safely by a person responsible for their safety, and understand the resultant hazards involved. • Children must not operate the device. • Children must be supervised to prevent them from playing with the appliance.

**⚠ CAUTION** • Safety devices are provided for your own protection. Never modify or bypass safety devices.

## Environmental protection



The packing materials can be recycled. Please dispose of packaging in accordance with the environmental regulations.



Electrical and electronic devices contain valuable, recyclable materials and often components such as batteries, rechargeable batteries or oil, which - if handled or disposed of incorrectly - can

pose a potential danger to human health and the environment. However, these components are required for the correct operation of the device. Devices marked by this symbol are not allowed to be disposed of together with the household rubbish.



Cleaning work producing in oily waste water, e.g. washing engines, washing undercarriages etc., may only be performed at washing stations with an oil separator.



Working with detergents may only be performed on watertight surfaces with connection to the waste water sewage system. Do not allow detergent to enter waterways or the soil.



Extraction of water from public waterways is not permitted in some countries.

### Notes on the content materials (REACH)

Current information on content materials can be found at: [www.kaercher.de/REACH](http://www.kaercher.de/REACH)

## Intended use

Use the high-pressure cleaner in private households only.

The high-pressure cleaner is intended for cleaning machines, vehicles, buildings, tools, façades, terraces, garden machines etc. using a high-pressure water jet.

## Accessories and spare parts

Only use original accessories and original spare parts. They ensure that the appliance will run fault-free and safely.

Information on accessories and spare parts can be found at [www.kaercher.com](http://www.kaercher.com).

## Scope of delivery

The scope of delivery for the appliance is shown on the packaging. Check the contents for completeness when unpacking. If any accessories are missing or in the event of any shipping damage, please notify your dealer.

## Device description

The maximum amount of equipment is described in these operating instructions. Depending on the model used, there are differences in the scope of delivery (see packaging).

For the figures, please refer to the graphics page

### Illustration A

### Illustration B

- 1 Stand with carrying handle
- 2 Water connection with built-in strainer
- 3 Transport wheel
- 4 Cover
- 5 Hose guide
- 6 Trigger "0/OFF" / "I/ON"
- 7 Storage for spray lances

- 8 High-pressure hose
- 9 \*Plug 'n' Clean detergent bottle
- 10 Storage / parking position for high-pressure gun
- 11 Transport handle, extendable
- 12 Power Control spray lance Dirt grinder for stubborn contamination, pressure stage: HARD
- 13 Power Control spray lance Vario Power for the most common cleaning tasks, pressure stages: HARD / MEDIUM / SOFT / MIX
- 14 Power Control high-pressure gun
- 15 Button for separating the high-pressure hose from the high-pressure gun
- 16 High-pressure gun lever
- 17 Pressure indicator (0-MIX / 1-SOFT / 2-MEDIUM / 3-HARD)
- 18 High-pressure gun lock
- 19 Carrying handle
- 20 Hose switch
- 21 High pressure hose reel
- 22 Crank handle for hose reel
- 23 Type plate
- 24 Accessory compartment
- 25 Hook for net attachment
- 26 Mesh for accessory compartment
- 27 Mains connection cable with mains plug
- 28 Coupling for the water connection
- 29 \*Garden hose (fabric reinforced, diameter at least 1/2 inch (13 mm), length at least 7.5 m, with commercially available quick coupling)
- 30 \*KÄRCHER suction hose for water supply from open containers (order no. 2.643-100)
- 31 Included screws and dowels

\* additionally required

## Supplied screws and dowels

### Illustration C

- 1 Stand dowels (2 pieces)
- 2 Screw 4x22 (2 pieces)
- 3 Screw 4x16 (10 pieces)



## Safety devices

### **⚠ WARNING**

#### **Danger of injury!**

Serious injuries due to missing, modified or ineffective safety devices.

Do not bypass or remove the safety devices and do not render them ineffective. Safety devices are provided for your own protection.

#### Power switch

The power switch prevents unintentional operation of the device.

#### High-pressure gun lock

The lock locks the lever of the high-pressure gun and prevents the device from starting unintentionally.

#### Auto-stop function

If the lever of the high-pressure gun is released, the pressure switch turns off the pump and the high-pressure jet stops. The pump switches on again when the lever is pressed.

#### Motor circuit breaker

The motor circuit breaker shuts off the device if power consumption is too high.

## Symbols on the device



Do not aim the high-pressure jet may at persons, animals, live electrical equipment or the device itself.

Protect the device against frost.



The device may not be connected to the public drinking water network.

## Installation

For the illustrations, refer to the graphics page.

Fit the supplied loose parts onto the device before starting up the device.

Have the included screws and the appropriate screwdriver ready.

#### Fitting the wheels

1. Insert the wheels.

#### Note

Pay attention to the alignment of the hole.

#### Illustration D

2. Secure the wheels with 1 screw each.

#### Mounting the stand

1. Insert the stand.

#### Illustration E

2. Insert the 2 dowels into the holes as far as they will go.
3. Secure the base with 2 screws.

#### Mounting the storage for spray lances

1. Hook in the storage for the spray lances.
2. Secure the storage with 2 screws.

#### Illustration F

3. Secure the cover with 4 screws.

#### Illustration G

#### Mounting the transport handle

1. Attach the transport handle.

#### Illustration H

## Mounting the accessory net

1. Hang the accessory net on the hooks.

#### Illustration I

## Push the high-pressure hose through the hose guide

1. Insert the high-pressure hose through the hose guide from the rear.

#### Illustration J

## Installing the water connection coupling

1. Screw the water connection coupling onto the water connection on the device.

#### Illustration K

## Initial startup

1. Place the device on a level surface.
2. Completely unwind the high-pressure.
3. Pull the high-pressure hose completely forward through the hose guide and eliminate any loops and twists.
4. Insert the high-pressure hose into the high-pressure gun until it audibly clicks into place.

#### Note

Take care to ensure the correct alignment of the nipple.

#### Illustration L

5. Check the secure connection by pulling on the high-pressure hose.
6. Plug the mains plug into a mains socket.

## Water supply

For the connection values, see the type plate or chapter *Technical data*.

Observe the water distribution company regulations.

## ATTENTION

### **Damage through contaminated water**

Contamination in the water can damage the pump and the accessories.

KÄRCHER recommends using the KÄRCHER water filter for protection (special accessory, order number 4.730-059).

## Connection to the water line

## ATTENTION

### **Hose coupling with Aquastop on the water connection of the device**

Damage to the pump

Never use a hose coupling with Aquastop on the water connection of the device.

You can use an Aquastop coupling on the tap.

1. Plug the garden hose onto the water connection coupling.
2. Connect the garden hose to the water line.
3. Open the water tap fully.

#### Illustration M

## Suck water from open containers

This high-pressure cleaner with the KÄRCHER suction hose is suitable for sucking in surface water, e.g. from water butts or ponds (for maximum suction height, see chapter *Technical data*).

1. Unscrew the coupling on the water connection.
2. Fill the suction hose with water.
3. Screw the suction hose onto the water connection of the device and hang it in a water source (e.g. rain barrel).

### Vent the device

1. Switch the device on ("I/ON").
2. Unlock the lever of the high-pressure gun.
3. Press the lever of the high-pressure gun. The device switches on.
4. Allow the device to run a maximum of 2 minutes until the water escaping from the high-pressure gun is free of air bubbles.
5. Release the lever of the high-pressure gun.
6. Lock the lever of the high-pressure gun.

## Operation

### ATTENTION

#### Risk of damage!

*Damaging the pump during dry running. Switch off the device if it does not build up pressure within 2 minutes.*

*Proceed according to the instructions in chapter Troubleshooting guide.*

### Power Control System





The pressure indicator on the high-pressure gun shows the currently set pressure level during operation with a Power Control spray lance.

#### Note

*The sensitivity of materials can vary greatly depending on age and condition. The recommendations are therefore not binding.*

#### Note

*When operating with surface cleaner and other accessories, the pressure indicator is not accurate.*

Display	Pressure stage	Recommended fore.g.
 3 HARD	HARD	Stone terraces made of paving stones or washed concrete, asphalt, metal surfaces, garden utensils (wheelbarrow, spade, etc.)
 2 MEDIUM	MEDIUM	Car/motorcycle, brick surfaces, plastered walls, plastic furniture
 1 SOFT	SOFT	Wooden surfaces, bicycle, sandstone surfaces, rattan furniture
 0 MIX	MIX	Operation with detergent

### High-pressure operation

### ATTENTION

#### Damage to painted or sensitive surfaces

*Surfaces can be damaged when the jet is too close to the surface or an unsuitable spray lance is used.*

*Maintain a minimum spray distance of 30 cm when cleaning painted surfaces.*

*Do not clean car tyres, paint or sensitive surfaces such as wood with the dirt blaster.*

1. Insert a spray lance into the high-pressure gun and lock it into position by turning it 90°.

#### Illustration N

2. Switch the device on ("I/ON").
3. Unlock the lever of the high-pressure gun.
4. Press the lever of the high-pressure gun. The device switches on.
5. Turn the Power Control spray lance Vario Power until the required pressure stage is indicated on the pressure indicator.

### Operation with detergent

### ⚠ DANGER

#### Failure to adhere to the safety data sheet

*Incorrect handling of the detergent can seriously damage your health*

*Observe the safety data sheet of the detergent manufacturer, in particular the instructions on personal protective equipment.*

#### Note

*Detergents may only be added at low pressure.*

#### Note

*A Plug 'n' Clean detergent bottle is required for operating with detergent. KÄRCHER detergents can be purchased ready for use in a Plug 'n' Clean detergent bottle.*

1. Remove the lid from the Plug 'n' Clean detergent bottle.
2. Press the detergent bottle into the Plug 'n' Clean detergent connection with the opening facing downwards.

#### Illustration O

3. Use the Vario Power spray lance.
4. Turn the spray lance in the direction of "MIX" until "MIX" is displayed on the high-pressure gun. During operation, the detergent solution is mixed into the water stream.

### Recommended cleaning method

1. Spray the detergent sparingly on the dry surface and let it work for a while (do not let it dry).
2. Rinse off the loosened dirt with the high-pressure jet.

### After operation with detergent

1. Pull the Plug 'n' Clean detergent bottle out of the holder and close it with the lid.
2. For storage, place the detergent bottle in the holder with the lid facing upwards.
3. Rinse the device with clean water for about 30 seconds.

### Interrupting operation

1. Release the lever of the high-pressure gun. When the lever is released, the device switches off. The high-pressure in the system is maintained.
  2. Lock the lever of the high-pressure gun.
- #### Illustration P
3. Set the high-pressure gun with the spray lance in the parking position.
  4. For work breaks longer than 5 minutes, switch off the device "0/OFF".

## Ending operation

### ⚠ CAUTION

#### **Danger of injury!**

*Injuries due to uncontrolled water escaping under high pressure.*

*Only disconnect the high-pressure hose from the high-pressure gun or the device if there is no pressure in the system.*

1. Release the lever of the high-pressure gun.
2. Close the water tap.
3. Press the lever of the high-pressure gun for 30 seconds.  
The pressure in the system is released.
4. Release the lever of the high-pressure gun.
5. Lock the lever of the high-pressure gun.
6. Switch off the device "0/OFF".
7. Disconnect the device from the water supply.
8. Pull the mains plug out of the outlet.

## Transport

### ⚠ CAUTION

#### **Risk of injury and damage!**

*Injury or damage due to non-observance of the weight. Be aware of the weight of the device during transport and storage.*

### Carrying the device

1. Lift up the device by the carrying handle, and carry it.

### Pulling device

1. Pull out the transport handle until it audibly engages.
2. Pull the device by the transport handle.

### Transporting the device in a vehicle

1. Before horizontal transport, pull the Plug 'n' Clean detergent bottle out of the holder and close it with the lid.
2. Secure the device against shifting and tipping.

## Storage

### ⚠ CAUTION

**Risk of injury or damage due to the weight of the device!**

*Injury and damage.*

*Be aware of the weight of the device during transport and storage.*

### Storing the device

1. Place the device on a level surface.
2. Disconnect the spray lance from the high-pressure gun.
3. Press the separation button on the high-pressure gun and disconnect the high-pressure hose from the high-pressure gun.
4. Without a hose reel: Store the high-pressure hose on the device.

### ATTENTION

#### **Damage to the high-pressure hose**

*Damage to the high-pressure hose through incorrect direction of rotation*

*Observe the correct direction of rotation of the hose reel when winding on the hose.*

5. With a hose reel: Use the crank handle to turn the hose reel counterclockwise and wind up the high-pressure hose.

6. Stow the mains connection and accessories on the device.
7. Put both spray lances into the storage for the spray lance:
  - a Spray lance dirt grinder: Nozzle downwards
  - b Spray lance Vario Power: Nozzle upwardsBefore prolonged storage, observe additional instructions, see chapter *Care and service*.

## Frost protection

### ATTENTION

#### **Danger of frost**

*Incompletely emptied devices can be destroyed by frost.*

*Completely empty the device and accessories.*

*Protect the device from frost.*

The following must be met:

- The device is disconnected from the water supply.
  - The high-pressure gun is separated from the high-pressure hose.
1. Switch on the device "I/ON".
  2. Wait a maximum of 1 minute until no more water comes out of the high-pressure hose.
  3. Switch off the device.
  4. Store the device with all accessories in a frost-proof room.

## Care and service

### ⚠ DANGER

#### **Danger of electric shock**

*Injuries due to touching live parts*

*Switch off the device.*

*Remove the mains plug.*

The device is maintenance-free, i.e. you do not need to perform any maintenance work.

### Clean the sieve in the water connection

### ATTENTION

#### **Risk of damage!**

*Damage to the sieve due to improper cleaning.*

*Clean the sieve only under running water against its flow direction.*

*Do not use sharp or hard objects e.g. needles or wire brushes.*

### ATTENTION

#### **Risk of damage!**

*Damage to the device and accessories when operating without a sieve or with a damaged sieve.*

*Check the sieve for damage before inserting it into the water connection. Replace a damaged sieve immediately.*

*Do not operate the device without a sieve.*

Clean the sieve in the water connection if necessary.

1. Unscrew the coupling on the water connection.
2. Pull out the sieve.

#### **Illustration Q**

3. Clean the sieve under running water.
4. Insert the sieve into the water connection.

## Troubleshooting guide

Malfunctions often have simple causes that you can remedy yourself using the following overview. When in doubt, or in the case of malfunctions not mentioned here, please contact your authorized Customer Service.

### **⚠ DANGER**

#### **Danger of death!**

*Fatal injuries due to electric shock when touching live parts.*

*Do not touch any live parts.*

*Switch off the device.*

*Pull the mains plug out of the mains socket.*

#### **Device not running**

1. Press the lever of the high-pressure gun.  
The device switches on.
2. Check that the voltage specified on the type plate corresponds to the voltage of the power source.
3. Check the mains connection cable for damage.
4. If the motor is overloaded and the motor circuit breaker has triggered:
  - a Switch off the device "0/OFF".
  - b Allow the device to cool down for 1 hour.
  - c Switch the device on "I/ON" and resume operation.

Have the device checked by Customer Service if this fault occurs repeatedly.

#### **The device does not start up, the motor buzzes**

Voltage drop due to a weak mains grid or when using an extension cable

1. When switching on, first press the lever on the high-pressure gun and then switch on the device "I/ON".

#### **Device does not reach required pressure**

The water supply is too low.

1. Open the water tap fully.
2. Check the water inlet for an adequate flow rate.
3. Check the setting at the spray lance.
4. Check that the maximum suction height is not exceeded.

The sieve in the water connection is dirty.

1. Pull the sieve in the water connection out using flat pliers.
2. Clean the sieve under running water.

#### **Illustration Q**

Air is in the device.

1. Vent the device:
  - a Switch on the device without a connected spray lance for a maximum of 2 minutes.
  - b Press the high-pressure gun and wait until the water escaping from the high-pressure gun is free of air bubbles.
  - c Connect the spray lance.

#### **Strong pressure fluctuations**

1. Cleaning the high-pressure nozzle:
  - a Remove contamination from the nozzle drill with a needle.
  - b Rinse the high-pressure nozzle with water from the front.
2. Check the water supply volume.

#### **Device leaking**

1. The device leaks a small amount for technical reasons. If the leak is severe, request authorised Customer Service.

#### **Detergent is not sucked in**

1. Use the Vario Power spray lance and turn it to "MIX".
2. Check that the Plug 'n' Clean detergent bottle is seated in the connection for the detergent with the opening facing down.

## Warranty

The warranty conditions issued by our relevant sales company apply in all countries. We shall remedy possible malfunctions on your appliance within the warranty period free of cost, provided that a material or manufacturing flaw is the cause. In a warranty case, please contact your dealer (with the purchase receipt) or the next authorised customer service site.

(See overleaf for the address)

Further warranty information (if available) can be found in the service area of your local Kärcher website under "Downloads".

## Technical data

	<b>K 4</b>	<b>Power Control</b>	<b>Premium Power Control</b>
<b>Electrical connection</b>			
Voltage	V	230-240	230-240
Phase	~	1	1
Frequency	Hz	50	50
Power rating	kW	1,8	1,8
Degree of protection		IPX5	IPX5
Protection class		I	I
Power protection (slow-blowing)	A	13	13
<b>Water connection</b>			
Feed pressure (max.)	MPa	1,2	1,2
Input temperature (max.)	°C	40	40
Input amount (min.)	l/min	9	9
Suction height (max.)	m	0,5	0,5
<b>Device performance data</b>			
Operating pressure	MPa	11	11
Max. permissible pressure	MPa	13	13
Water flow rate	l/min	6,3	6,3
Maximum flow rate	l/min	7,0	7,0
Detergent flow rate	l/min	0,3	0,3
High-pressure gun recoil force	N	13	13
<b>Dimensions and weights</b>			
Typical operating weight	kg	13,7	14,0
Length	mm	405	417
Width	mm	306	306
Height	mm	584	584
<b>Determined values in acc. with EN 60335-2-79</b>			
Hand-arm vibration value	m/s <sup>2</sup>	3,2	3,2
Uncertainty K	m/s <sup>2</sup>	0,8	0,8
Sound pressure level L <sub>pA</sub>	dB(A)	75	75
Uncertainty K <sub>pA</sub>	dB(A)	3	3
Sound power level L <sub>WA</sub> + uncertainty K <sub>WA</sub>	dB(A)	91	92

Exception according to Regulation (EU) 2019/1781 Annex I Section 2 (12): j)

Subject to technical changes without notice.

## Declaration of Conformity

### Declaration of Conformity (UK)

We hereby declare that the product described below complies with the relevant provisions of the following UK Regulations, both in its basic design and construction as well as in the version put into circulation by us. This declaration shall cease to be valid if the product is modified without our prior approval.

Product: High-pressure cleaner  
Type: 1.324-xxx

### Currently applicable UK Regulations

S.I. 2008/1597 (as amended)  
S.I. 2016/1091 (as amended)  
S.I. 2012/3032 (as amended)  
S.I. 2001/1701 (as amended)  
S.I. 2010/2617 (as amended)

### Commission Regulation(s)

(EU) 2019/1781

### Designated standards used

EN 60335-1  
EN 60335-2-79  
EN 62233: 2008  
EN 55014-1: 2017 + A11: 2020  
EN 55014-2: 2015  
EN 61000-3-2: 2014  
EN 61000-3-3: 2013  
EN IEC 63000: 2018

### Applied conformity assessment procedure

S.I. 2001/1701 (as amended): Schedule 8

### Sound power level dB(A)

K 4 Power Control \*GB

Measured: 88

Guaranteed: 91

K 4 Premium Power Control \*GB

Measured: 89

Guaranteed: 92

The signatories act on behalf of and with the authority of the company management.



H. Jenner

Chairman of the Board of Management



S. Reiser

Manager Regulatory Affairs & Certification

Documentation supervisor:

S. Reiser

Alfred Kärcher SE & Co. KG  
Alfred-Kärcher-Str. 28 - 40  
71364 Winnenden (Germany)  
Ph.: +49 7195 14-0  
Fax: +49 7195 14-2212  
Winnenden, 2021/06/01

### EU Declaration of Conformity

We hereby declare that the machine described below complies with the relevant basic safety and health requirements in the EU Directives, both in its basic design and construction as well as in the version placed in circulation by us. This declaration is invalidated by any changes made to the machine that are not approved by us.

Product: High-pressure cleaner  
Type: 1.324-xxx

### Currently applicable EU Directives

2006/42/EC (+2009/127/EC)  
2014/30/EU  
2011/65/EU  
2000/14/EC  
2009/125/EC

### Commission Regulation(s)

(EU) 2019/1781

### Harmonised standards used

EN 60335-1  
EN 60335-2-79  
EN 62233: 2008  
EN 55014-1: 2017 + A11: 2020  
EN 55014-2: 2015  
EN 61000-3-2: 2014  
EN 61000-3-3: 2013  
EN IEC 63000: 2018

### Applied conformity evaluation method

2000/14/EG: Annex V

### Sound power level dB(A)

K 4 Power Control \*GB

Measured: 88

Guaranteed: 91

K 4 Premium Power Control \*GB

Measured: 89

Guaranteed: 92

The signatories act on behalf of and with the authority of the company management.



H. Jenner

Chairman of the Board of Management



S. Reiser

Manager Regulatory Affairs & Certification

Documentation supervisor:

S. Reiser

Alfred Kärcher SE & Co. KG  
Alfred-Kärcher-Str. 28 - 40  
71364 Winnenden (Germany)  
Ph.: +49 7195 14-0  
Fax: +49 7195 14-2212  
Winnenden, 2021/06/01

## الضمان

يسري في كل دولة شروط الضمان التي تضعها شركة التسويق المتخصصة التابعة لنا. نحن نتولى إصلاح الأخطاء التي قد تطرأ على جهازك خلال فترة الضمان بدون مقابل، عندما يكون سبب هذه الأعطال ناجم عن عيب في المواد المستخدمة أو في عملية التصنيع. في حالة استحقاق الضمان، توجه من فضلك بقسيمة الشراء إلى أقرب موزع أو مركز خدمة عملاء معتمد.

(العنوان على الصفحة الخلفية)  
يمكن العثور على المزيد من المعلومات حول الضمان (إن وجدت) في قسم الخدمة على موقع Kärcher المحلي تحت عنوان "التنظيف".

## البيانات الفنية

Premium Power Control	Power Control	K 4
<b>توصيل الطاقة</b>		
230-240	230-240	V
<b>الطاقة</b>		
1	1	~
<b>التردد</b>		
50	50	Hz
<b>قدرة التوصيل</b>		
1,8	1,8	kW
<b>نوع الحماية</b>		
IPX5	IPX5	
<b>فئة الحماية</b>		
I	I	
<b>مصدر الشبكة (محمول)</b>		
13	13	A
<b>وصلة المياه</b>		
1,2	1,2	MPa
<b>ضغط التدفق (الأقصى)</b>		
40	40	C°
<b>درجة حرارة التدفق (القصوى)</b>		
9	9	l/min
<b>كمية التدفق (الدنيا)</b>		
0,5	0,5	m
<b>مستوى الشفط (الأقصى)</b>		
<b>أداء الجهاز</b>		
11	11	MPa
<b>ضغط التشغيل</b>		
13	13	MPa
<b>الضغط الأقصى المسموح به</b>		
6,3	6,3	l/min
<b>كمية الإمداد، المياه</b>		
7,0	7,0	l/min
<b>كمية الإمداد القصوى</b>		
0,3	0,3	l/min
<b>كمية الإمداد، مواد التنظيف</b>		
13	13	N
<b>قوة ارتجاع مسدس الضغط العالي</b>		
<b>الأبعاد الوزن</b>		
14,0	13,7	kg
<b>وزن التشغيل النمطي</b>		
417	405	mm
<b>الطول</b>		
306	306	mm
<b>العرض</b>		
584	584	mm
<b>الارتفاع</b>		
<b>القيم المسجلة وفقاً للمواصفة EN 60335-2-79</b>		
3,2	3,2	m/s <sup>2</sup>
<b>القيمة الاهتزازية لليد والذراع</b>		
0,8	0,8	m/s <sup>2</sup>
<b>K قيمة الشك</b>		
75	75	dB(A)
<b>مستوى انبعاث الصوت L<sub>PA</sub></b>		
3	3	dB(A)
<b>قيمة الشك K<sub>PA</sub></b>		
92	91	dB(A)
<b>مستوى قدرة الصوت L<sub>WA</sub> +</b>		
<b>قيمة الشك K<sub>WA</sub></b>		

تحتفظ بحق إدخال التعديلات الفنية.

لا تقم بتشغيل الجهاز دون مصفاة.

تنظيف المصفاة في وصلة المياه عند اللزوم.

1. اربط الوصلة في وصلة المياه.

2. سحب المصفاة.

### صورة إيضاحية Q

3. تنظيف المصفاة تحت المياه الجارية.

4. تركيب المصفاة في وصلة المياه.

## المساعدة في حالة حدوث أعطال

في الغالب تكون للاختلالات أسباب بسيطة يمكنك التغلب عليها ببساطة بالاستعانة بالعرض العام التالي. في حالات الشك أو عند حدوث اختلالات غير مذكورة هنا فيرجى التوجه إلى خدمة العملاء المعتمدة.

### ⚠ خطر

#### تحظر على الحياة

إصابات مميتة بسبب التعرض لصدمة كهربائية عند لمس الأجزاء

الواقعة تحت قلبية.

لا تلمس الأجزاء الواقعة تحت قلبية.

قم بإغلاق الجهاز.

اسحب قابس الشبكة من مقبس الشبكة.

#### الجهاز لا يعمل

1. ضغط رافعة مسدس الضغط العالي.

الجهاز يعمل.

2. التأكد من توافق بيانات الجهد الموجودة على لوحة الطراز مع جهد مصدر التيار.

3. أفحص وصلة الكهرباء من حيث وجود أضرار.

4. في حالة فرط التحميل على المحرك، وتحرير مفكح حماية

المحرك:

a أطفئ الجهاز "OFF/0".

b اترك الجهاز لمدة ساعة واحدة ليبرد.

c تشغيل الجهاز "I/ON" والبدء في استعماله.

في حالة تكرار الخطأ لأكثر من مرة، أفحص الجهاز من قبل

خدمة العملاء.

#### الجهاز لا يعمل، المحرك يصدر طنين

تذبذب الجهد بسبب ضعف التيار الكهربائي أو في حالة استخدام

وصلة لتمديد الكابلات.

1. عند التشغيل، قم أولاً بضغط الرافعة الخاصة بمسدس الضغط

العالي، ثم قم بتشغيل الجهاز "I/ON".

#### الجهاز لا يعمل بالضغط

الإمداد بالمياه منخفض للغاية.

1. فتح صنبور المياه بالكامل.

2. قم بفحص الإمداد بالمياه من حيث وجود كمية الإمداد الكافية.

3. فحص إعدادات أنبوب النفث.

4. تأكد من عدم تخطي ارتفاع الشفط الأقصى.

المصفاة في وصلة المياه منسخة.

1. سحب المصفاة في وصلة المياه باستخدام زردية.

2. تنظيف المصفاة تحت المياه الجارية.

#### صورة إيضاحية Q

يوجد هواء في الجهاز.

1. قم بتفسيح الجهاز:

a تشغيل الجهاز دون أنبوب نفث موصل لمدة دقيقتين بحد

أقصى.

b اضغط على مسدس الضغط العالي، وانتظر حتى تخرج منه

المياه دون فقاعات.

c توصيل أنبوب النفث.

#### تقلبات شديدة في الضغط

1. تنظيف فوهة الضغط العالي:

a قم بإزالة الترسبات من ثقب الفوهة باستخدام إبرة.

b شطف فوهة الضغط العالي بالمياه من الأمام.

2. فحص كمية الإمداد بالمياه.

#### الجهاز يسرب

1. وجود تسرب طفيف في الجهاز هو أمر ضروري فنياً. في حالة

وجود تسرب كبير يجب التواصل مع خدمة العملاء المعتمدة.

#### يجب عدم شفط مواد التنظيف

1. استخدام أنبوب النفث Vario Power وإدارته إلى "MIX".

2. تأكد من أن فتحة زجاجة مواد التنظيف Plug 'n' Clean موجة إلى أسفل ومنصلة بوصلة مواد التنظيف.

## التخزين

### ⚠ تنبيه

#### خطر وقوع إصابة وضرب بفعل وزن الجهاز

إصابات وأضرار.  
عليك عند النقل والتخزين مراعاة وزن الجهاز.

### حفظ الجهاز

1. وضع الجهاز على أرضية مستوية.
2. فصل أنبوب النفث عن مسدس الضغط العالي.
3. فصل زر الفصل في مسدس الضغط العالي، وافصل خرطوم الضغط العالي من مسدس الضغط العالي.
4. يدون بكرة خرطوم: قم بتخزين خرطوم الضغط العالي على الجهاز.

### تنبيه

#### تضرر خرطوم الضغط العالي

- تضرر خرطوم الضغط العالي بسبب استخدام اتجاه دوران خاطيء عند اللف، قم بمراعاة اتجاه طنبور الخرطوم.
5. مع بكرة خرطوم: باستخدام ذراع التدوير البدوي، قم بلف طنبور الخرطوم عكس اتجاه عقارب الساعة، ولف خرطوم الضغط العالي.
  6. قم بحفظ وصلة الكهرباء والملحقات في الجهاز.
  7. إدخال كلا أنبوبي النفث في مكان الحفظ الخاص بهما:  
a أنبوب نفث كاشط الأوساخ: الفوهة إلى أسفل  
b أنبوب النفث Vario Power: الفوهة إلى أعلى
- قبل فترات التخزين الطويلة، يرجى مراعاة الإرشادات الإضافية، انظر فصل العناية والصيانة.

### الحماية من التجمد

### تنبيه

#### خطر التجمد

يمكن أن تلف الأجهزة التي لم يتم تفرغها بشكل كامل تحت تأثير التجمد.

عليك تفرغ الجهاز والملحقات بشكل كامل.

عليك حماية الجهاز من التجمد.

يجب القيام بما يلي:

- فصل الجهاز عن مصدر الإمداد بالمياه.
  - فصل مسدس الضغط العالي عن خرطوم الضغط العالي.
1. تشغيل الجهاز "I/ON".
  2. انتظر لمدة دقيقة على الأقل لكيلا تخرج أي مياه من خرطوم الضغط العالي.
  3. إيقاف الجهاز.
  4. حفظ الجهاز بملحقاته الكاملة في غرفة مؤمنة محمية من التجمد.

### العناية والصيانة

### ⚠ خطر

#### خطر الإصابة بصدمة كهربائية

الإصابة بسبب ملامسة أجزاء موصلة للكهرباء

قم بإغلاق الجهاز.

اسحب قابس الشبكة.

الجهاز ليس به أي عيوب، هذا يعني أنه من غير الضروري أن تقوم بأي أعمال صيانة منتظمة.

### تنظيف المصفاة في وصلة المياه

### تنبيه

#### خطر حدوث أضرار

تضرر الشاشة بسبب التنظيف غير السليم.

لا تنظف المصفاة إلا تحت المياه الجارية عكس اتجاه التدفق الخاص به.

لا تستخدم أشياء حادة أو صلبة، مثل: الإبر أو الفرش السلكية.

### تنبيه

#### خطر حدوث أضرار

تضرر الجهاز والملحقات عند التشغيل دون مصفاة أو مع مصفاة تالفة.

قم بفحص المصفاة قبل تركيبها في وصلة المياه من حيث وجود أضرار بها. استبدل المصفاة التالفة على الفور.

### إرشاد

للتشغيل باستخدام مواد التنظيف يلزم وجود Plug 'n' Clean لزجاجة مواد التنظيف. مواد التنظيف KÄRCHER يمكن شراؤها جاهزة للاستخدام في زجاجة مواد التنظيف Plug 'n' Clean.  
1. انزع غطاء زجاجة مواد التنظيف Plug 'n' Clean.  
2. اضغط زجاجة مواد التنظيف وفتحها إلى أسفل في وصلة مواد التنظيف Plug 'n' Clean.

### صورة إيضاحية O

3. استخدم أنبوب النفث Vario Power.
  4. إدارة أنبوب النفث باتجاه "MIX" حتى يتم عرض "MIX" بمسدس الضغط العالي.
- أثناء التشغيل يتم خلط محلول مواد التنظيف مع شعاع المياه.

### طريقة التنظيف الموصى بها

1. رش المنظف باقتصاد على السطح الجاف وارتكبه ليظهر أثره (لا يحف).
2. اشطف الأسطح المحررة بتيار الضغط العالي.

### بعد التشغيل مع مواد التنظيف

1. قم بنزع وصلة زجاجة مواد التنظيف Plug 'n' Clean من مأخذها، وأغلق الغطاء.
2. ضع زجاجة مادة التنظيف في الحامل بحيث يكون الغطاء متجهًا لأعلى من أجل التخزين.
3. اشطف الجهاز لحوالي 30 ثانية بالمياه النقية.

### قطع عملية التشغيل

1. تحرير ذراع مسدس الضغط العالي.
  2. عند تحرير الذراع، يتم غلق الجهاز يتم الحفاظ على الضغط العالي في النظام.
  3. قفل ذراع مسدس الضغط العالي.
- ### صورة إيضاحية P
3. أدخل مسدس الضغط العالي مع أنبوب النفث في موضع الإيقاف.
  4. عند فترات التوقف عن العمل لمدة تزيد عن 5 دقائق اغلق الجهاز "OFF/0".

### إنهاء التشغيل

### ⚠ تنبيه

#### خطر الإصابة

الإصابة بسبب تيار المياه المتدفقة بضغط عالي وبشكل غير متحكم به.

لا تفصل خرطوم الضغط العالي من مسدس الضغط العالي أو من الجهاز إلا في حالة عدم وجود ضغط في النظام.

1. تحرير ذراع مسدس الضغط العالي.
2. أغلق صنوبر المياه.
3. ضغط ذراع مسدس الضغط العالي لمدة 30 ثانية.
4. يتم تبديد الضغط المتبقي في النظام.
5. قفل ذراع مسدس الضغط العالي.
6. أطفئ الجهاز "OFF/0".
7. فصل الجهاز عن مصدر الإمداد بالمياه.
8. سحب قابس الشبكة من المقبس.

### النقل

### ⚠ تنبيه

#### خطر الإصابة وخطر التعرض لأضرار

خطر وقوع إصابة وضرب في حالة عدم مراعاة الوزن.

عليك عند النقل والتخزين مراعاة وزن الجهاز.

### حمل الجهاز

1. رفع وحمل الجهاز من مقبض الحمل.

### سحب الجهاز

1. سحب مقبض النقل حتى يثبت بصوت مسموع.
2. سحب الجهاز من مقبض النقل.

### نقل الجهاز في السيارة

1. قبل نقل الجهاز، قم بنزع وصلة زجاجة مواد التنظيف Plug 'n' Clean من مأخذها، وأغلق الغطاء.
2. تأمين الجهاز ضد الانزلاق، والانقلاب.

## التشغيل

### تنبيه

#### خطر حدوث أضرار

أضرار في المخفض بسبب التشغيل على الجاف.  
أوقف تشغيل الجهاز إذا لم يترجم الضغط في غضون دقيقتين.  
تحرف وفقاً للتعليمات الواردة في الفصل المساعدة في حالة حدوث أعطال.

### نظام Power Control

يظهر مؤشر الضغط بمسدد الضغط العالي عند العمل مستوى الضغط الذي تم تعيينه حالياً باستخدام أنبوب النفث Power Control.

### إرشاد

يمكن أن تختلف حساسية المواد بشكل كبير اعتماداً على العمر الزمني والحالة. وبالتالي فإن التوصيات غير ملائمة.

### إرشاد

يكون مؤشر الضغط بدون ملول عند تشغيل جهاز التنظيف السطحي أو أي ملحقات أخرى.

البيان	مستويات الضغط	موصى بها على سبيل المثال
	HARD	للتراسات الحجرية المرصوفة بأحجار رصف أو بطون مغسول، الأسفلت، الأسطح المعدنية، أواني الحدائق (عريضة يدوية، مجرفة، الخ)
	متوسط	سيارات / دراجات نارية، أسطح من القرميد، الجدران الملبسة، أثاث بلاستيكي
	ناعم	للأسطح الخشبية والدراجات ومفروشات من القش
	خلط	التشغيل باستخدام مواد التنظيف

### التشغيل بالضغط العالي

### تنبيه

#### تضرر السطح الحساس أو المطلي

تعرض الأسطح للضرر بسبب المسافة القليلة لشعاع النفث، أو عن طريق اختيار أنبوب نفث غير مناسب.  
حافظ على مسافة 30 سم على الأقل في حالة تنظيف الأسطح المطلية.

لا تقم بتنظيف إطارات السيارات، أو الطلاء، أو الأسطح الحساسة مثل الخشب باستخدام ساحق الاتساخات.

1. أدخل أنبوب النفث في مسدد الضغط العالي وثبته من خلال إدارته بزوايا 90°.

#### صورة إيضاحية N

2. تشغيل الجهاز ("I/ON").

3. فتح رافعة مسدد الضغط العالي.

4. ضغط رافعة مسدد الضغط العالي.

الجهاز يعمل.

5. قم بإدارة أنبوب النفث Power Control ل Vario Power J حتى يظهر مستوى الضغط المطلوب على مؤشر الضغط.

### التشغيل باستخدام مواد التنظيف

### ⚠ خطر

#### عدم مراعاة صفحة بيانات السلامة

أضرار صحية جسيمة بسبب استخدام المنظفات بشكل غير صحيح.  
أحرص على مراعاة منشور بيانات السلامة الصادر عن الجهة الصانعة لمواد التنظيف، ولا سيما إرشادات تجهيزات الحماية الشخصية.

### إرشاد

يمكن خلط مواد التنظيف فقط مع درجات الضغط المنخفضة.

### تركيب شبكة الملحقات

1. تعليق شبكة الملحقات على الخطافات.  
صورة إيضاحية 1

### دفع خرطوم الضغط العالي عن طريق مجرى الخرطوم

1. إدخال خرطوم الضغط العالي من الخلف عن طريق منفذ إدخال الخرطوم.  
صورة إيضاحية 1

### تركيب التوصيلات الخاصة بوصلة المياه

1. ربط التوصيلات الخاصة بوصلات المياه في موضع وصلات المياه بالجهاز.  
صورة إيضاحية K

### بدء التشغيل

1. وضع الجهاز على أرضية مستوية.
2. فك خرطوم الضغط العالي بالكامل.
3. اسحب خرطوم الضغط العالي بالكامل إلى الأمام عن طريق مجرى الخرطوم، وفك أي عروات والتواءات محتملة.
4. إدخال خرطوم الضغط العالي في مسدد الضغط العالي حتى يثبت بشكل مسموع.

### إرشاد

مراعاة الاتجاه السليم للوصلة.

### صورة إيضاحية L

5. التحقق من التوصيل المضمن عن طريق شد خرطوم الضغط العالي.
6. إدخال قابس الشبكة في المقبس.

### الإمداد بالمياه

لمعرفة قيم التوصيل انظر لوحة الصنع أو فصل البيانات الفنية.  
مراعاة تعليمات مؤسسة التزويد بالمياه.

### تنبيه

#### الأضرار بسبب المياه الملوثة

الأتساخات في المياه قد تؤدي إلى تضرر المضخة والملحقات.  
لتوفير الحماية توصي KÄRCHER باستخدام قننر المياه طراز KÄRCHER (الملحقات الخاصة، رقم الطلب 0059-4.730).

### التوصيل بصنوبر المياه

### تنبيه

#### قارئة خرطوم مع جهاز Aquastop بوصلة مياه الجهاز

تضرر المضخة  
لا تستخدم أبداً قارئة خرطوم مع جهاز Aquastop بوصلة مياه الجهاز.

يمكنك استخدام قارئة جهاز Aquastop على حنفية المياه.

1. إدخال خرطوم الحديدية في التوصيلة الخاصة بوصلة المياه.
2. توصيل خرطوم الحديدية بصنوبر المياه.
3. فتح صنوبر المياه بالكامل.

### صورة إيضاحية M

### شفط المياه من الخزان المفتوح

هذا المنظف العامل بالضغط العالي مناسب للاستخدام مع خرطوم الشفط من KÄRCHER لامتصاص المياه السطحية، على سبيل المثال من براميل الأمطار، أو البرك، (لمعرفة أقصى ارتفاع للشفط راجع فصل البيانات الفنية).

1. اربط الوصلة في وصلة المياه.
2. املا خرطوم الشفط بالمياه.
3. أدر خرطوم الشفط من وصلة المياه الخاصة بالجهاز، وتعليقه بأحد مصادر المياه (مثلاً لبرميل المطر).

### تصريف الهواء من الجهاز

1. تشغيل الجهاز "I/ON".
2. فتح رافعة مسدد الضغط العالي.
3. ضغط رافعة مسدد الضغط العالي.
4. الجهاز يعمل.
5. أترك الجهاز يعمل بحد أقصى لمدة دقيقتين حتى تخرج المياه بدون فقاعات.
6. تحرير رافعة مسدد الضغط العالي.
7. قفل رافعة مسدد الضغط العالي.



## مواصفات الجهاز

يتم في دليل التشغيل هذا شرح التجهيزات الكاملة. وفقاً للموديل، ستكون هناك اختلافات في نطاق التوريد (انظر العبوة). الأشكال، انظر صفحة الصور

### صورة إيضاحية A

### صورة إيضاحية B

- 1 قاعدة مع مقبض للحمل
  - 2 وصلة المياه مع مصفاة مركبة
  - 3 عجلة النقل
  - 4 حاجب
  - 5 مجرى خرطوم
  - 6 أدر مفتاح الجهاز إلى الوضع "OFF" / "I/ON/O"
  - 7 حفظ أنابيب النفث
  - 8 خرطوم الضغط العالي
  - 9 \*توصيل زجاجة مواد التنظيف
  - 10 حفظ / وضع ركن مسدس الضغط العالي
  - 11 مقبض النقل، قابل للخلع
  - 12 أنبوب النفث Power Control كاشط الأوساخ للإسباخات العتيبة، مستوى الضغط: HARD
  - 13 أنبوب النفث Power Control لطاقة Vario Power لمعظم مهام التنظيف الشائنة، مستويات الضغط: HARD / MEDIUM / SOFT / MIX
  - 14 مسدس ضغط عالي Power Control
  - 15 زر فصل خرطوم الضغط العالي من مسدس الضغط العالي
  - 16 ذراع مسدس الضغط العالي
  - 17 مؤشر الضغط (3-0 / 2-MEDIUM / 1-SOFT / MIX -HARD)
  - 18 قفل مسدس الضغط العالي
  - 19 مقبض الحمل
  - 20 حامل الخرطوم
  - 21 بكرة خرطوم الضغط العالي
  - 22 كرنك يدوي لبكرة الخرطوم
  - 23 لوحة الطراز
  - 24 درج الملحقات
  - 25 ختاف لتثبيت الشبكة
  - 26 شبكة لدرج الملحقات
  - 27 وصلة الشبكة مع قابس الشبكة
  - 28 توصيل وصلة المياه
  - 29 \*خرطوم حديقة (مقوى بالنسيج، قطره لا يقل عن 1/2 بوصة (13 مم)، بطول 7,5 متر على الأقل، مع قارئة سريعة متوفرة تجارياً)
  - 30 \*خرطوم الشفط KÄRCHER لإمداد المياه من الحاويات المفتوحة (طلب رقم 100-2.643)
  - 31 البراغى والخوابير المرفقة
- \* ضروري بشكل إضافي

## المسامير والخوابير المرفقة

### صورة إيضاحية C

- 1 قاعدة الخابور (عدد 2)
- 2 برغى 4x22 (عدد 2)
- 3 برغى 4x16 (عدد 10)

## تجهيزات السلامة

### تحذير ⚠️

### خطر الإصابة!

إصابات خطيرة بسبب فقد تجهيزات السلامة أو تعديلها أو عدم فعاليتها.  
لا تتجاوز تجهيزات السلامة أو تزيلها أو تجعلها غير فعالة. تجهيزات السلامة تخدم حمايتك.

### مفتاح الجهاز

مفتاح الجهاز يمنع تشغيل الجهاز دون قفص.

### قفل مسدس الضغط العالي

القفل يحجب الرافعة، ومسدس الضغط العالي، ويمنع بدء تشغيل الجهاز دون قفص.

### وظيفة الإيقاف التلقائي

عند تحرير الرافعة مع مسدس الضغط العالي، يوقف مفتاح الضغط المضخة، ويوقف شعاع الضغط العالي. عند الضغط على الذراع، يتم تشغيل المضخة ثانية.

### مفتاح حماية المحرك

في حالة وجود تيار عالي للغاية، يلق مفتاح حماية المحرك الجهاز.

## رموز على الجهاز

لا توجه شعاع الضغط العالي على الأشخاص، أو الحيوانات، أو أي معدات كهربائية فعالة أو على الجهاز نفسه.  
حماية الجهاز من التجمد.  
لا يسمح بتوصيل الجهاز مباشرة بشبكة مياه الشرب العامة.



## التركيب

### للاشكال، انظر صفحة الصور.

قبل بدء التشغيل يجب تركيب الأجزاء المرفقة بالجهاز. إعداد البراغى المرفقة، والمفك المناسب لذلك.

### تركيب العجلات

1. إدخال العجلات.

### إرشاد

يجب الانتباه إلى توجيه التقوي.

### صورة إيضاحية D

2. يجب تأمين العجلات ببرغى واحد لكل منهما.

### تركيب القاعدة

1. إدخال القاعدة.

### صورة إيضاحية E

2. إدخال الخابور في التقوي حتى النهاية.

3. يجب تأمين القاعدة ببرغين.

### تركيب موضع تخزين أنابيب الرش

1. تعليق موضع تخزين أنبوب الرش.

2. تأمين موضع التخزين باستخدام 2 من البراغى.

### صورة إيضاحية F

3. تأمين القطاء باستخدام 4 براغى.

### صورة إيضاحية G

### تركيب مقبض النقل

1. إدخال مقبض النقل.

### صورة إيضاحية H

## حماية البيئة

المواد المستخدمة في التغليف قابلة لإعادة التدوير. يرجى التخلص من مواد التغليف بطريقة تحافظ على البيئة. تحتوي الأجهزة الكهربائية والإلكترونية على مواد قيمة قابلة لإعادة التدوير وغالبا ما تحتوي أيضا على مكونات مثل البطاريات، أو المراكمات أو الزيوت والتي قد تشكل خطورة على صحة الانسان والبيئة في حالة التعامل معها بشكل غير صحيح أو إذا تم التخلص منها بصورة خاطئة. إلا ان هذه المكونات ضرورية لتشغيل الجهاز بصورة سليمة. لا يجوز التخلص من الأجهزة المميزة بهذا الرمز مع النفايات المنزلية. أعمال التنظيف التي يتكون فيها مياه عادمة تحتوي على زيوت، مثل غسل المحركات، وغسل الهيكل السفلي، لا يسمح بإجرائها إلا في أماكن الغسل المزودة بفاصل للزيت. لا يسمح بالعمل باستخدام مواد التنظيف إلا في أماكن العمل غير المنغدة للسوائل مع وجود وصلة بقناة المياه المتسخة. لا يسمح بوصول مواد التنظيف إلى المياه أو إلى التربة السطحية. استخدام المياه من مجاري المياه العامة غير مسموح به في بعض البلدان.

### إرشادات حول مواد المحتويات (REACH)

تجد المعلومات الحالية حول المحتويات على الموقع:  
[www.kaercher.de/REACH](http://www.kaercher.de/REACH)

## الاستخدام المطابق للتعليمات

استخدم منطقات الضغط العالي للاستعمال المنزلي فقط. منطقات الضغط العالي مخصصة لتنظيف الماكينات والسيارات والمباني والعدد والواجهات والشرفات ومعدات الحدائق وغيرها وذلك باستخدام الضغط العالي لشعاع المياه.

## الملحقات التكميلية وقطع الغيار

استخدم الملحقات التكميلية الأصلية وقطع الغيار الأصلية فقط، والتي تضمن تشغيل الجهاز بشكل آمن وخال من الاختلالات. تجد المعلومات الخاصة بالملحقات التكميلية وقطع الغيار على الموقع [www.kaercher.com](http://www.kaercher.com).

## محتوى التسليم

محتوى تسليم الجهاز مصور على العبوة. تأكد من وجود جميع محتويات العبوة عند فتحها. وفي حالة نقص أية ملحقات تكميلية أو اكتشاف أي تلف بها ناتج من عملية النقل، يرجى إخطار البائع.

**تحذير** • قم بتوصيل الجهاز بوصلة كهربائية يكون تم شرائها من متجر متخصص بيع الأجهزة الكهربائية وفقا لمعيار IEC 60364-1. • تأكد قبل كل استخدام للجهاز من عدم وجود تلف في كابل التيار الكهربائي والقابض. عند تعرض كابل التيار الكهربائي للتلف، يجب استبداله على الفور عن طريق الشركة المصنعة، أو مركز خدمة العملاء المعتمد، أو كهربائي متخصص، وذلك لتجنب أي مخاطر. • لا تقم بالحاق أضرار أو إتلاف كابل التوصيل الكهربائي وكابل التمديد الكهربائي عن طريق الدهس، سحق، الشد أو فعل شيء به من هذا القبيل. قم بحماية كابل التوصيل الكهربائي من الحرارة، الزيت والحواف الحادة. • كابلات التمديد الكهربائية غير المناسبة يمكن أن تكون مصدر للخطر. استخدم في الهواء الطلق لذلك كابلات التمديد الكهربائية المرخصة والممطرة ومزودة بمقطع عرضي للكابل كافي: 10-1 م: 1,5 مم<sup>2</sup>; 30-10 م: 2,5 مم<sup>2</sup>

**تنويه** • فك كابل التمديد الكهربائي دائما بشكل كامل من بكرة الكابل الكهربائي. • يجب عند التوقف عن العمل لفترة استراحة طويلة وبعد الاستخدام إيقاف الجهاز عن طريق المفتاح الرئيسي / مفتاح الجهاز وكذلك فصل القابض الكهربائي أيضا.

## التشغيل باستخدام مادة تنظيف

**تحذير** • يمكن أن يؤدي استعمال مواد التنظيف غير الصحيحة إلى حدوث إصابات خطيرة أو إلى حدوث التسمم.

**تنويه** • خزّن مواد التنظيف بعيدا عن متناول الأطفال. • استخدم مواد التنظيف الموردة مع الجهاز أو التي تنصح بها الجهة المصنعة فقط. استخدم مواد التنظيف الأخرى أو المواد الكيميائية يمكن أن تضر سلامة الجهاز.

## العناية والصيانة

**تحذير** • افصل القابض الكهربائي قبل إجراء أي أعمال الصيانة والعناية.

**تنويه** • عليك إجراء أعمال الإصلاح أو الأعمال الأخرى على القطع الكهربائية من قبل مركز خدمة معتمدة فقط.

**تنبيه** • لا تستخدم مادة الاستيون أو مواد حمضية غير مخففة أو مواد مذيبة لأن هذه المواد ستضر بالمواد المستخدمة في الجهاز.

## الشحن

### تنويه

• خطر الحوادث والإصابة. عليك مراعاة وزن الجهاز عند عملية الشحن والتخزين. انظر فصل البيانات الفنية في دليل التشغيل.

## تعليمات السلامة العامة

**خطر** • خطر الاختناق. يجب عليك إبعاد أكياس التعبئة والتغليف عن متناول الأطفال.

**تحذير** • استخدم الجهاز وفقا للعرض المحدد له فقط. عليك مراعاة الظروف المحيطة والانتباه عند استخدام الجهاز إلى الأشخاص الآخرين وخاصة الأطفال منهم. • يسمح للأشخاص الذين لديهم قدرات بدنية أو حسية أو عقلية محدودة أو الذين لا تتوافر لديهم الخبرة والمعرفة الكافية، أن يستخدموا الجهاز بشرط الإشراف عليهم بشكل صحيح، أو إذا تم بعد حصولهم على تعليمات بشأن كيفية الاستخدام الآمن للجهاز من قبل شخص مسؤل عن سلامتهم ومعرفتهم بالمخاطر المرتبطة به. • لا يسمح للأطفال بتشغيل الجهاز. • يجب مراقبة الأطفال للتأكد من عدم لعبهم بالجهاز.

**تنويه** • تجهيزات السلامة تخدم حمايتك. لا تقم بتغيير أو تجاوز تجهيزات السلامة أبدا.

## التشغيل

**⚠️ خطر** • يمنع منعاً باتاً التشغيل في المناطق القابلة للانفجار.  
• لا تقم بضغط مواد مذيبة أو سوائل تحتوي على مواد مذيبة أو مواد حمضية غير مخففة أبداً. وهذه تشمل على سبيل المثال البنزين، مواد إضافية للألوان أو فوود التدفئة. الرذاذ قابل للاستئصال والانفجار وسام. • إطارات السيارات التالفة /صمامات الاطارات تشكل مصدر خطر على الحياة. إطارات السيارات /صمامات الاطارات يمكن أن تنضرب أو تتفجر عن طريق استخدام شعاع الضغط العالي. أول علامة على ذلك هو تغيير لون الاطار عليك المحافظة على مسافة 30 سم على الأقل من الشعاع عند تنظيف السيارة عن إطارات السيارة / صمامات الاطارات.

**⚠️ تحذير** • لا تستخدم الجهاز بالقرب من تواجد أشخاص آخرين لا يرتدون ملابس وقاية مناسبة. • لا توجه شعاع الضغط العالي على نفسك مثلاً على ملابسك أو حذائك لتنظيفه. • لا توجه شعاع الضغط العالي على الأشخاص، الحيوانات، معدات كهربائية فعالة أو على الجهاز نفسه. • لا تقوم برش أي أشياء تحتوي على مواد ضارة بالصحة (الأسبست مثلاً). • تأكد قبل كل استخدام من أن الجهاز وملحقاته في حالة سليمة وآمنة للتشغيل مثلاً خرطوم الضغط العالي، مسدس الضغط العالي وتجهيزات السلامة أيضاً. لا تستخدم الجهاز عند وجود تلف فيه. قم بتغيير الأجزاء التالفة فوراً. • استخدم خرطوم الضغط العالي والتجهيزات والافرازات التي تصحح بها الجهة الصانعة. • خطر الاحتراق. عند فصل مدخل الخرطوم أو خرطوم الضغط العالي يمكن أن يخرج ماء ساخن من الوصلات بعد التشغيل.

**⚠️ تنويه** • لا تستخدم الجهاز أبداً بدون قاطع للنظام بشبكة مياه الشرب وفقاً للوائح السارية. تأكد من أن وصلة الشبكة المائية بمنزلك التي تم توصيلها بجهاز التنظيف بالضغط العالي مزودة بفواصل للنظام وفقاً لمعيار EN 12729 Typ BA. • الماء التي تمر عن طريق فاصل النظام لا تصلح بعد ذلك للشرب. • لا تترك الجهاز دون مراقبة أبداً طالما يكون مشغلاً. • يتم عن طريق المياه الخارجة من فوهة الضغط العالي توليد قوة ارتدادية بمسدس الضغط العالي. قم بتأمين مكان وفوقك بشكل آمن وامسك مسدس الضغط العالي وأنتوب الشعاع بشكل ثابت. • حوادث واضرار ناجمة عن سقوط الجهاز. يجب عليك ضمان السلامة قبل إجراء أي عمل على الجهاز أو قبل استخدام الجهاز.

**⚠️ تنبيه** • لا تستخدم الجهاز عندما تكون درجات الحرارة تحت 0° مئوية.

## معدات الحماية الشخصية

**⚠️ تنويه** • ارتدي ملابس واقية مناسبة ونظارة واقية لحماية نفسك من رذاذ الماء والأوساخ المتطايرة. • يمكن أن ينشأ هباء جوي/أبروسول أثناء استعمال جهاز التنظيف بالضغط العالي. يمكن أن يؤدي استنشاق الهباء الجوي إلى حدوث اضرار صحية. اعتماداً على نوع الاستخدام، يمكن أن يساعد استعمال فوهات محمية بالكامل (منظف سطحي مثلاً) في تقليل انبعاث الهباء الجوي بشكل كبير. ارتدي تبعا للمكان المراد تنظيفه، قناع واقٍ للتنفس من فئة FFP 2 أو ما يعادلها لحماية نفسك من استنشاق الهباء الجوي عندما يكون استخدام فوهة محمية بالكامل غير ممكناً.

## خطر الصعق الكهربائي

**⚠️ خطر** • قم بتوصيل أجهزة فئة الحماية I بمصادر التيار الكهربائي المارضة بشكل سليم فقط. • قم بتوصيل الجهاز بتيار متردد فقط. يجب أن يتوافق الجهد الموجود على لوحة الطراز مع جهد مصدر التيار. • استخدم الجهاز عن طريق قاطع الدائرة الكهربائية فقط (30 مللي أمبير حد أقصى). • لا تلمس القابض الكهربائي والمقبس بأيدي مبللة بالماء نهائياً. • يجب أن يكون القابض الكهربائي وفارطة كابل التمديد الكهربائي مقاومة ضد الماء ولا يسمح بوضعها في الماء. لا يسمح بوضع الفارطة على الأرض. استخدم بكرات الكابلات الكهربائي التي تتضمن تواجد القوابض الكهربائية بقدر 60 مم فوق الأرض على الأقل. • يجب أن تكون جميع الأجزاء الموصلة للتيار الكهربائي في مكان العمل محمية من أشعة الماء.

## KÄRCHER Home & Garden App

يحتوي تطبيق KÄRCHER Home & Garden على:  
• معلومات حول التركيب والتشغيل  
• معلومات حول مجالات التطبيق  
• صائح وجّل  
• أسئلة متكررة مع المساعدة على اصلاحها بالتفصيل  
• الاتصال بمركز خدمة KÄRCHER  
يمكن تنزيل التطبيق هنا:



## علامة تجارية

• تطبيقات جوجل TM و أندرويد TM هي علامات تجارية مسجلة لشركة Google Inc.  
• أبل® و متجر التطبيقات® هي علامات تجارية مسجلة لشركة Apple Inc.

## إرشادات السلامة

اقرأ فصل السلامة هذا ودليل التشغيل الأصلي لهذا أيضا قبل استخدام الجهاز لأول مرة. ثم تصرف طبقاً لذلك. حافظ على دليل التشغيل الأصلي للاستخدام لاحقاً أو تسليمه المالك التالي.  
• عليك إلى جانب الإرشادات الواردة في دليل التشغيل مراعاة القواعد العامة للسلامة والوقاية من الحوادث والتي يحددها المشرع القانوني.  
• تشير علامات الإرشاد والتحذير الموجودة على الجهاز إلى الإرشادات الهامة للتشغيل الآمن.

## درجات الخطر

### ⚠️ خطر

• إشارة إلى خطر مباشر وشيك الحدوث وقد يؤدي إلى إصابات جسدية بالغة أو إلى الوفاة.

### ⚠️ تحذير

• إشارة إلى موقف قد تحفه المخاطر وقد يؤدي إلى إصابات جسدية بالغة أو إلى الوفاة.

### ⚠️ تنويه

• إشارة إلى موقف قد تحفه المخاطر وقد يؤدي إلى إصابات بسيطة.

### ⚠️ تنبيه

• إشارة إلى موقف قد تحفه المخاطر وقد يؤدي إلى حدوث اضرار مادية.



**THANK YOU!**  
**MERCI! DANKE! ¡GRACIAS!**



Registrieren Sie Ihr Produkt und profitieren Sie von vielen Vorteilen.

Register your product and benefit from many advantages.

Enregistrez votre produit et bénéficiez de nombreux avantages.

Registre su producto y aproveche de muchas ventajas.

**[www.kaercher.com/welcome](http://www.kaercher.com/welcome)**



Bewerten Sie Ihr Produkt und sagen Sie uns Ihre Meinung.

Rate your product and tell us your opinion.

Évaluer votre produit et dites-nous votre opinion.

Reseñe su producto y díganos su opinión.



**[www.kaercher.com/dealersearch](http://www.kaercher.com/dealersearch)**

**Alfred Kärcher SE & Co. KG**

Alfred-Kärcher-Str. 28-40

71364 Winnenden (Germany)

