



Birlea

Suppliers of inspiration

Assembly Instructions

Thank you for
purchasing a
Birlea product.

For a chance to win a *Love 2 Shop* voucher simply post a picture of your new product on your preferred social channels tagging Birlea Furniture and using the hashtag **#ShareYourStyle** and **#Birlea**. One winner will be selected at random each month.

To view our full terms and conditions please visit our website. www.birlea.com

Are you happy with your purchase?

Yes: That's great, we would love to hear more from you. Please leave us a review on our social media channels or Trustpilot. Your feedback will be greatly appreciated.

No: If for any reason there is something missing, indifferent or incorrect with your order, please contact the retailer you purchased the item from. We will work with the retailer to resolve your issue as quickly as possible.



www.birlea.com



Birlea

Suppliers of inspiration

Assembly Video

For a step by step guide on how to build our Phoenix Ottoman Bed visit our YouTube channel 'BirleaFurnitureLtd' or alternatively scan the below code on your smart phone.



How to scan a QR code from an apple device

Step One: Open up the camera app

Step Two: Hold the device's camera up to the QR code

Step Three: Your Apple device will automatically recognise the QR code and provide you with a link to the video.

How to scan a QR code from an android device

Step One: Download the QR Code reader application from the Play Store.

Step Two: Open the QR code application and open the camera.

Step Three: Your Android device will automatically recognise the QR code and provide you with a link to the video.

How to scan a QR code from a Window's device

Step One: Open up the camera app

Step Two: Hold the device's camera up to the QR code

Step Three: Your Window device will automatically recognise the QR code and provide you with a link to the video.

Please ensure that you device is up to date with the latest operating system.

ASSEMBLY INSTRUCTIONS
PHONENIX OTTOMAN 5' BED

IMPORTANT: READ THESE INSTRUCTIONS CAREFULLY BEFORE ASSEMBLING OR USING YOUR PHOENIX OTTOMAN 5' BED FRAME.

PLEASE KEEP THESE INSTRUCTIONS FOR FUTURE REFERENCE.

HEALTH & SAFETY:

DO NOT jump on this bed frame.

DO NOT use this bed frame if any parts are missing, damaged or worn.

DO NOT use this bed frame unless all fixings are secured.

Please keep small parts out of reach of children.

Always use on a level, even surface.

WARNING: If this bed is placed on a non-carpeted floor you must place some protection under all legs to stop the bed frame from moving. If this is not adhered to there is no guarantee if the bed frame collapses.

WARNING: Take care when assembling the base, assemble the ottoman as closed to its final position. The ottoman has a powerful mechanism and after assembly should only be opened when the bed mattress is in place.

CARE & MAINTENANCE:

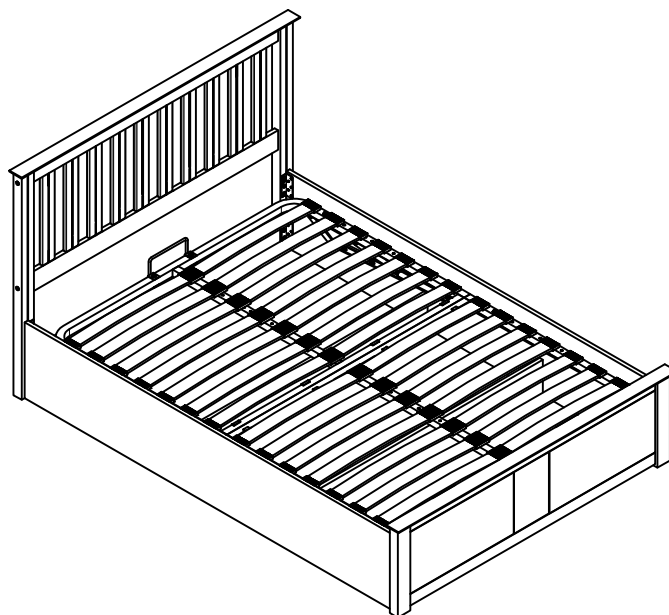
Assemble in the room of use.

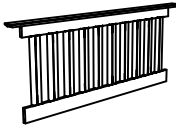


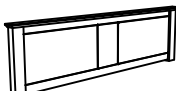
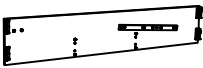
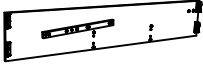

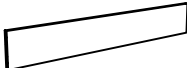



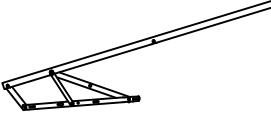
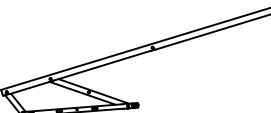
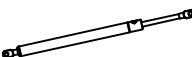

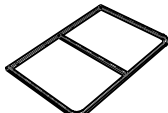
Periodically check all screws & fixings to ensure they are secure.











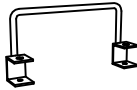





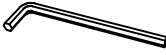
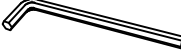

DO NOT push the bed frame as this will damage the legs.

Always lift the bed with two people to reposition.

Keep any sharp objects away from the frame.

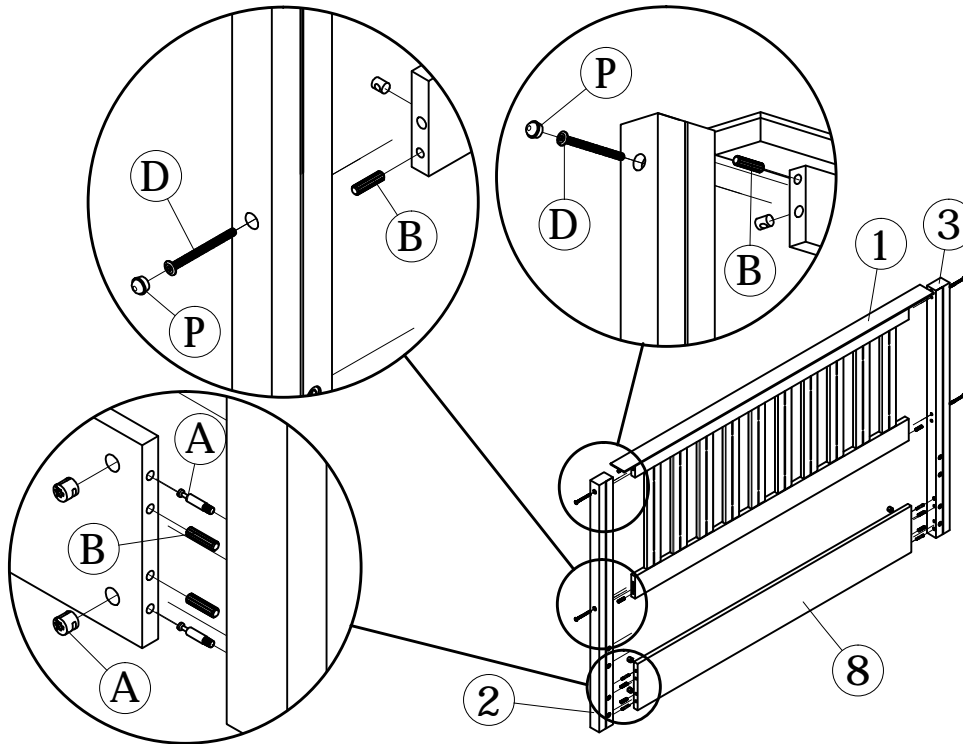


Parts List				
Parts	Description		Box	Qty
1	Headboard Frame		$\frac{1}{5}$	1
2	Left Wooden Post		$\frac{2}{5}$	1
3	Right Wooden Post		$\frac{2}{5}$	1
4	Footboard		$\frac{1}{5}$	1
5	Left Side Rail		$\frac{4}{5}$	1
6	Right Side Rail		$\frac{4}{5}$	1
7	Centre Storage Panel		$\frac{2}{5}$	2
8	Back Storage Panel		$\frac{2}{5}$	1
9	Small Base Panel		$\frac{1}{5}$	1
10	Large Base Panel		$\frac{1}{5}$	3
11	Slat		$\frac{3}{5}$	32
12	Left Hydraulic Base Support with stopper		$\frac{5}{5}$	1
13	Right Hydraulic Base Support		$\frac{5}{5}$	1
14	Hydraulic Pump		$\frac{5}{5}$	2
15	Back Bed Base		$\frac{3}{5}$	1
16	Front Bed Base		$\frac{3}{5}$	1

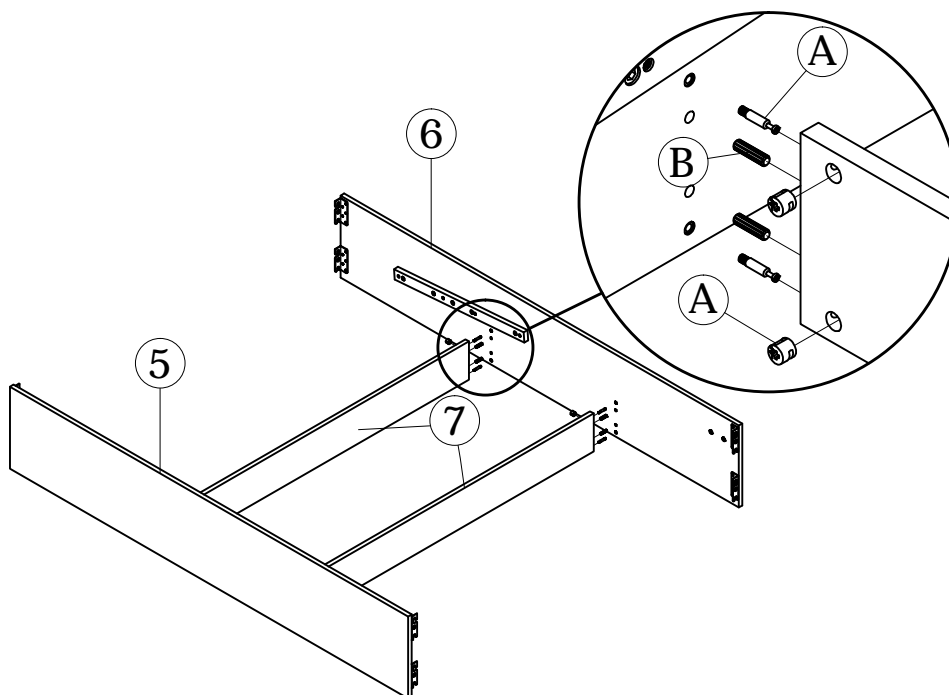
Hardware List (Found in box #)				
Parts	Description		Box	Qty
A	Mini Fix		$\frac{3}{5}$	12
B	8 x 30 mm Wooden Dowel		$\frac{3}{5}$	16
C	Metal Corner Block		$\frac{3}{5}$	2
D	M6 x 90 mm Barrel Nut		$\frac{3}{5}$	4
E	M8 x 25 mm JCBC Bolt		$\frac{3}{5}$	16
F	M8 x 15 mm JCBC Bolt		$\frac{3}{5}$	8
G	M8 x 20 mm JCBC Bolt		$\frac{3}{5}$	10
H	M8 x 75 mm JCBC Bolt		$\frac{3}{5}$	4
I	M8 Flat Washer		$\frac{3}{5}$	4
J	Base Nut		$\frac{3}{5}$	4
K	Base Handle		$\frac{3}{5}$	2
L	M6 x 40 mm JCBC Bolt		$\frac{3}{5}$	4
M	M8 x 45 mm JCBB Bolt with Nut Bracket, Spring & Flat Washer		$\frac{3}{5}$	6
N	Single Slat Cap		$\frac{3}{5}$	32
O	Double Slat Cap		$\frac{3}{5}$	16
P	Wooden Button		$\frac{3}{5}$	4
Q	M6 Allen Key		$\frac{3}{5}$	1
R	M8 Allen Key		$\frac{3}{5}$	1
S	M12.8 Spanner		$\frac{3}{5}$	1

** You will also need a screwdriver and small mallet (not provided).

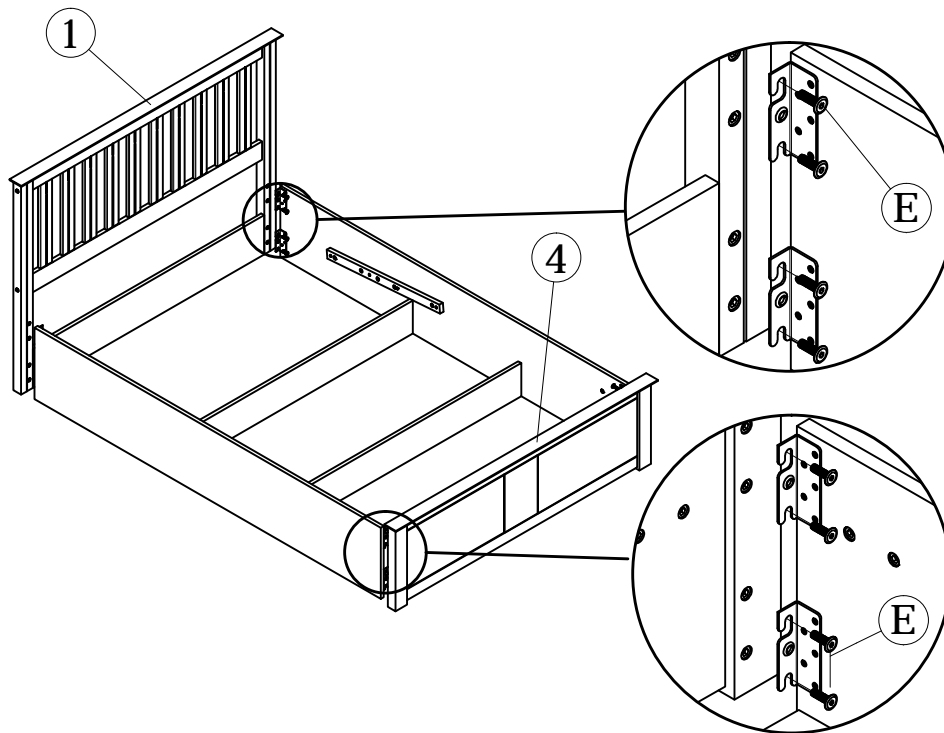
Step 1: Attach the headboard frame (1) and back storage panel (8) to the left wooden post (2) and right wooden post (3). Secure the headboard frame using hardware parts B, D and P, then secure the back storage panel with hardware parts A and B.



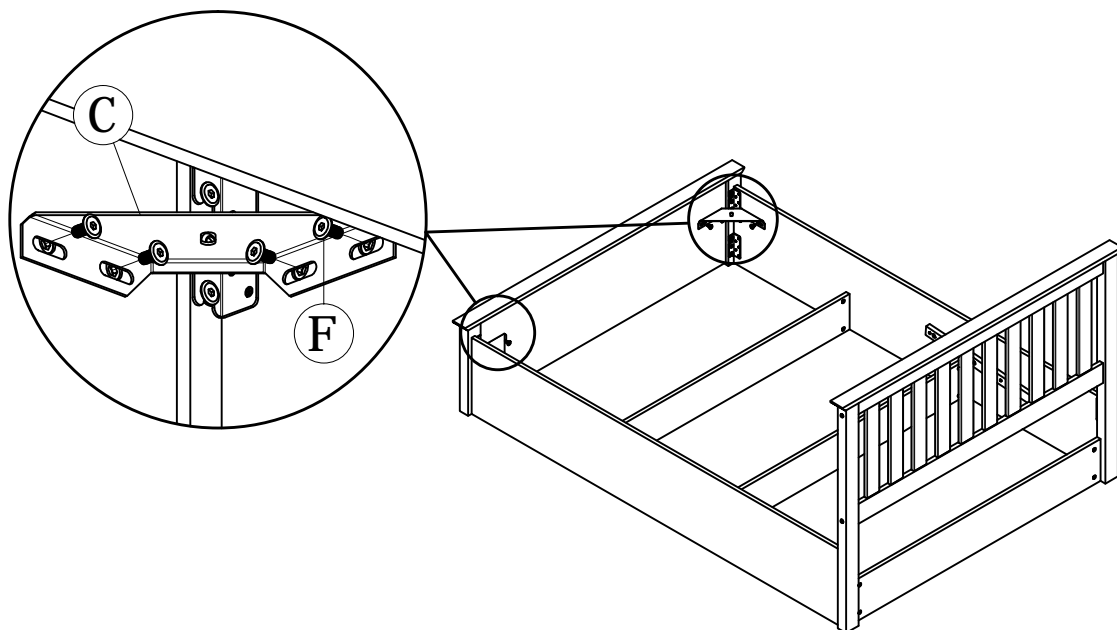
Step 2: Join together the left side rail (5) and right side rail (6) with the centre storage panels (7) using hardware parts A and B.



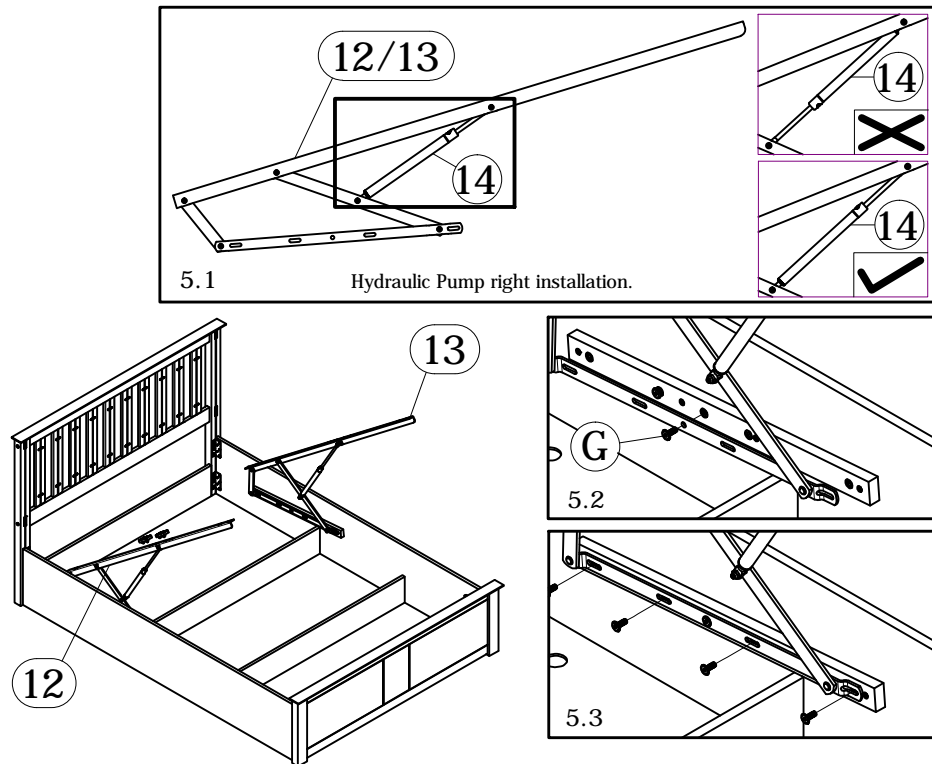
Step 3: Attach the headboard frame (1) and footboard (4) using hardware part E.



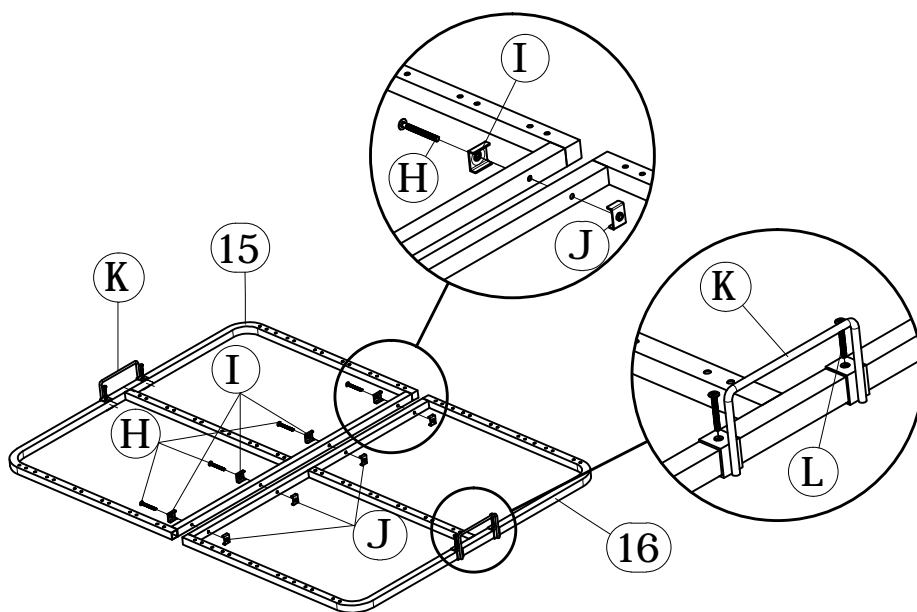
Step 4: Attach hardware part C using hardware parts F.



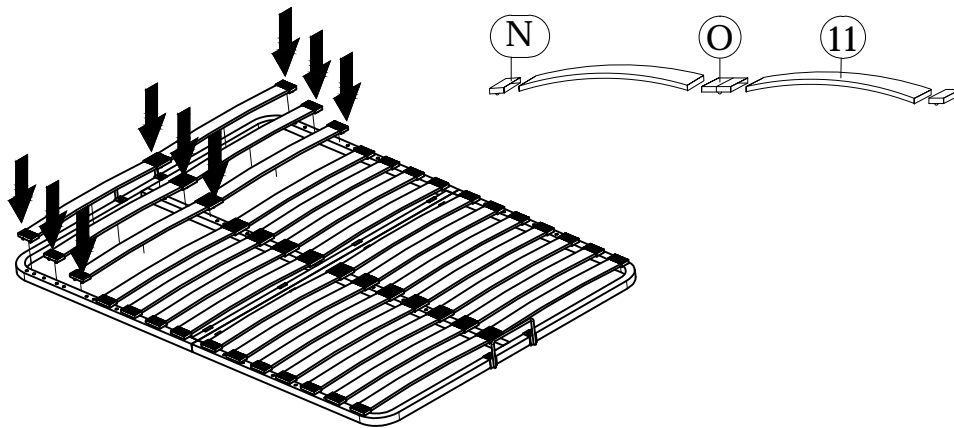
Step 5: Attach the hydraulic pumps (14) to the left hydraulic base support (12) and right hydraulic base support (13) then fix the base supports to the side rails using hardware part G as shown in Fig 5.2 – do not fully tighten yet. Insert the remainder of hardware part G and fully tighten all bolts.



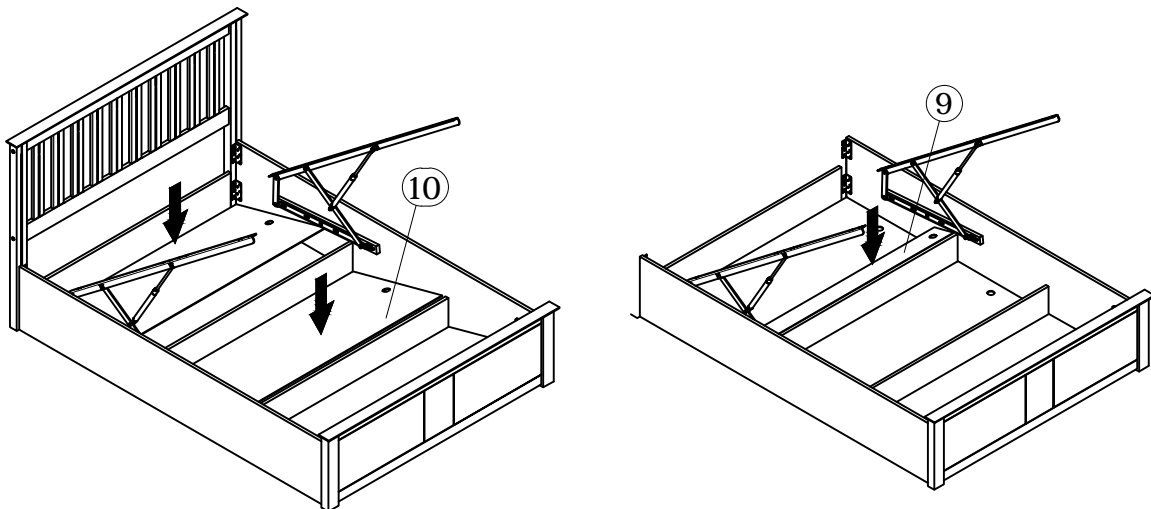
Step 6: Join together the back bed base (15) and front bed base (16) using hardware parts H, I and J. Attach hardware parts K using hardware part L.



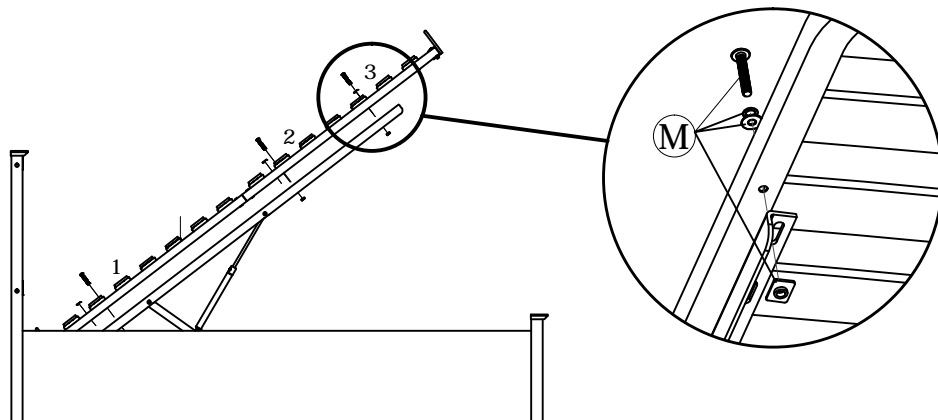
Step 7: Insert the slats (11) to hardware parts N and O then press into the base making sure they are secure.



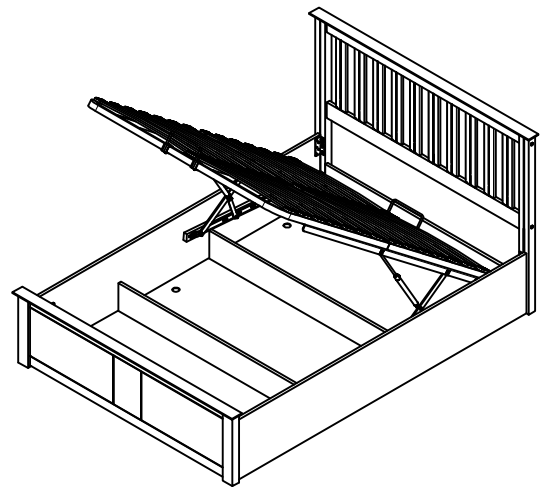
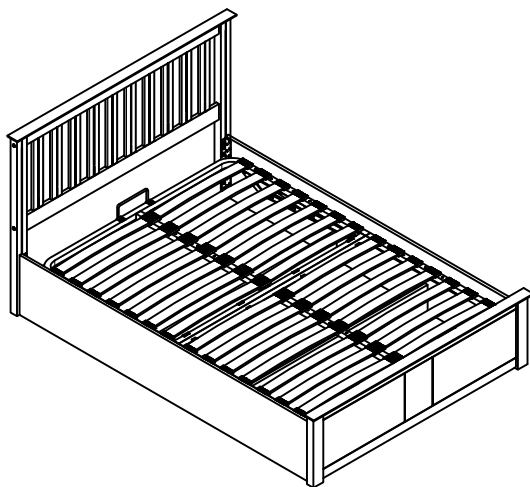
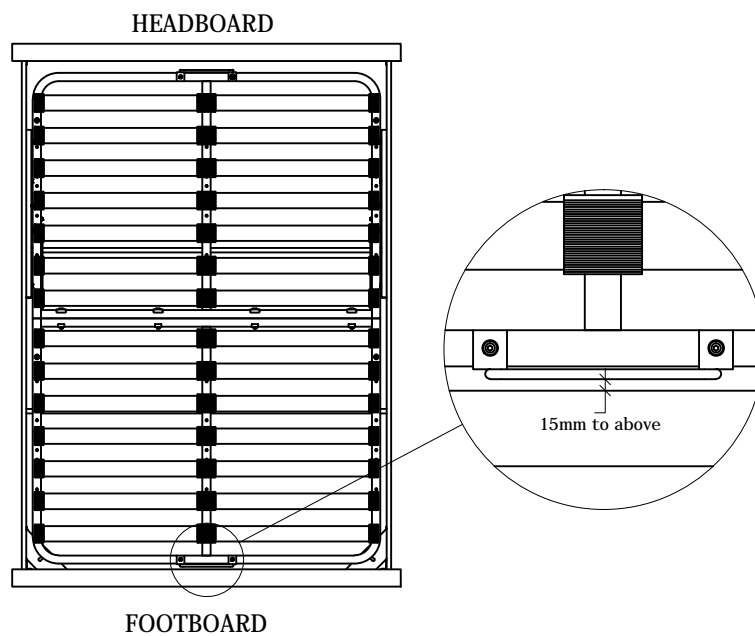
Step 8: Insert the small base panel (9) and large base panels (10).



Step 9: Attach the bed base to the hydraulic frames using hardware part M. Fix the bolts starting from area 1 and finishing in area 3 – do not fully tighten the bolts yet.



Step 10: Adjust the bed base making sure that the distance to the footboard is approximately 15 mm to above. Tighten all bolts and screws now.

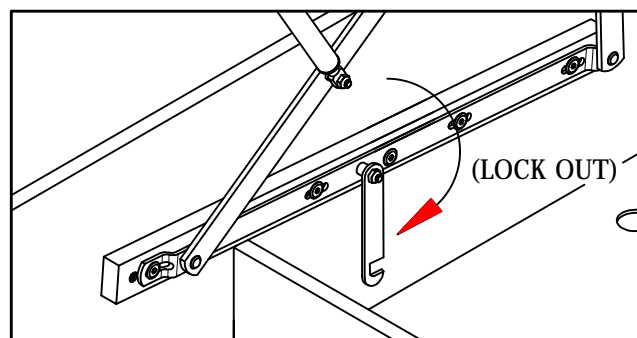
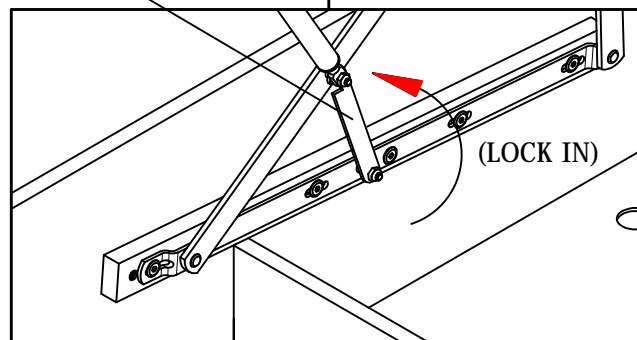
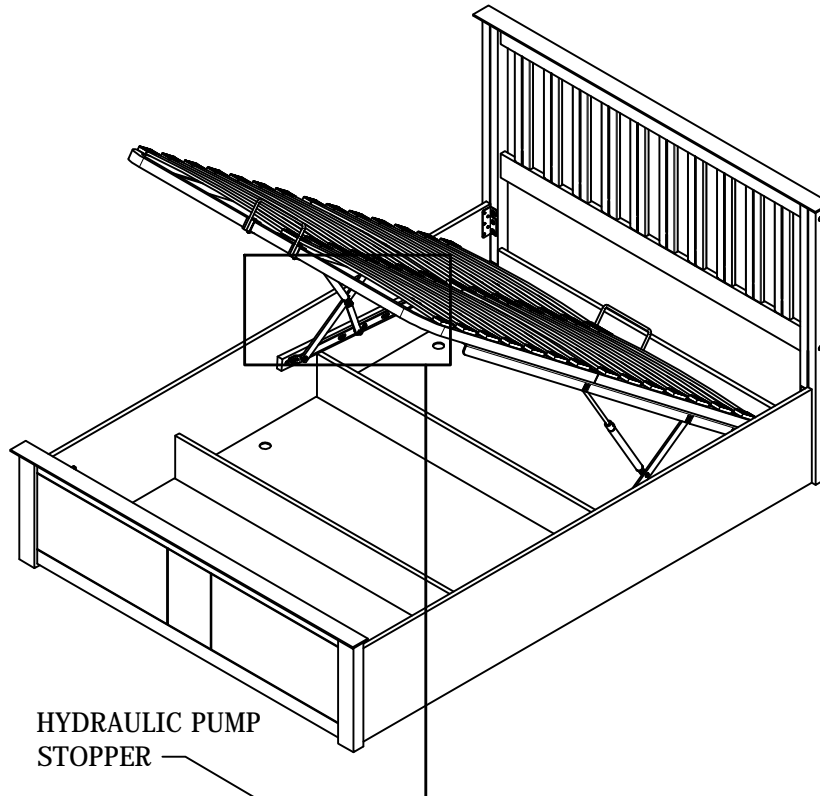


Additional Information:

- For complete product information, images and dimension diagrams please visit the website www.birlea.com
- If you have any issues with your item please contact the retailer directly you purchased it from who will be able to resolve any issues with Birlea.
- Why don't you send us photos of your assembled furniture to info@birlea.com to be shared in our #birleahome feature on Instagram.

CAUTION :

PLEASE USE HYDRAULIC PUMP STOPPER FOR SAFETY PURPOSE.



Important Ottoman Safety Warnings

- . Caution. This bed uses a pressurised mechanism.
- . Use caution when operating - Always use two hands at arm's length, and only where illustrated on the product.
- . You must ensure the mattress is on the bed frame before lifting the mechanism - Failure to do so may result in injury.
- . Please ensure Children and pets are kept away from the bed when operating the bed mechanism.
- . If removing the mattress, make sure that the frame is secured as it could flip open.
- . Only use the storage compartment when the frame is fully raised in the 'up' position.
- . No children or animals are left unattended when the frame is in the 'up' position.
- . Do not remain on the bed whilst the lifting mechanism is in use.
- . Beware of Entrapment - Keep both hands clear of mechanism when operating the mechanism.
- . When lifting the bed remove all bedding - Except the fitted sheet.

