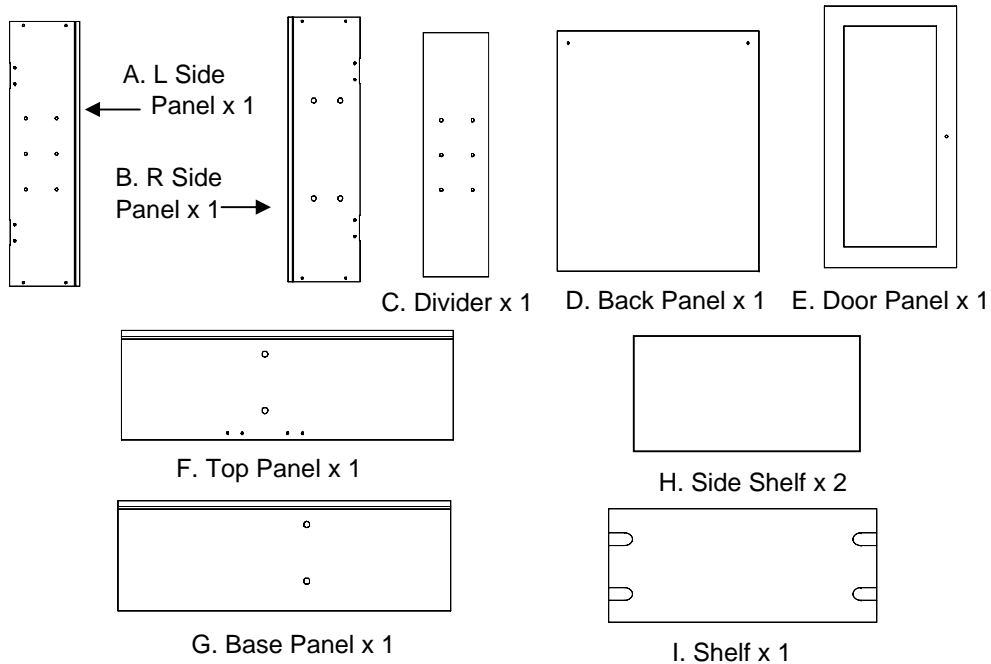
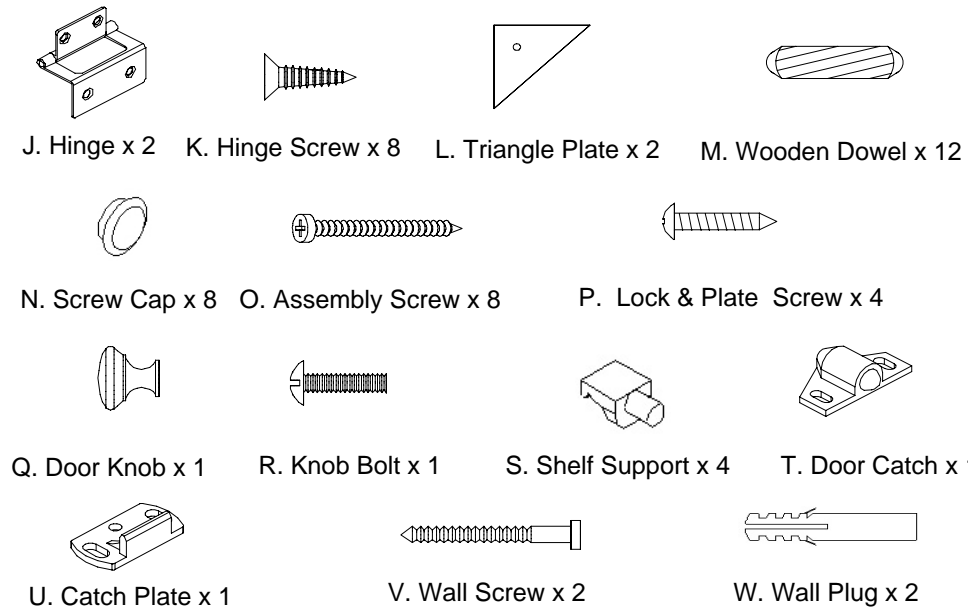


## Components

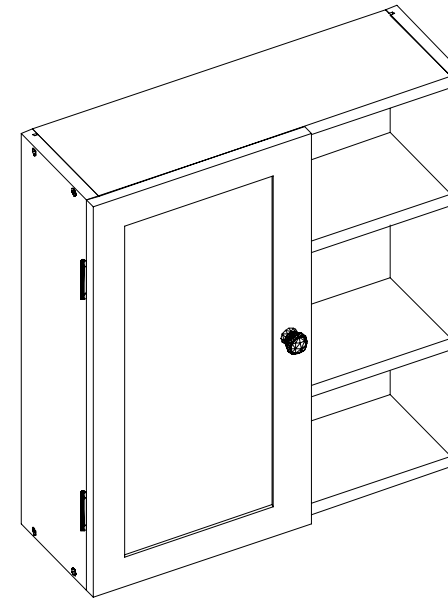


## Fittings



# Single Mirror Cabinet With Open Shelf

Simple Assembly Instructions - Please keep for future reference



## IMPORTANT

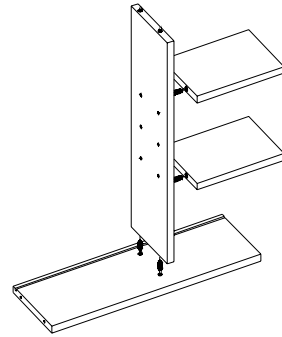
1. Read these instructions carefully and familiarise yourself with the procedure before assembling the unit.
2. Check that you have all the component parts following the list on the BACK cover and familiarise yourself with each part before proceeding.
3. Take all the fittings out of the plastic bag and separate them into their groups.
4. Ensure you have enough space to lay out all the parts before assembly.
5. To avoid scratching it is recommended that you assemble the trolley on a soft level surface.

# Assembly Instructions

## Stage 1 - Fitting the Support Frame

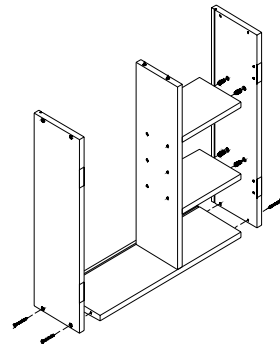
**NOTE: It would be useful to ask someone to help you to assembly this unit.**

1. Attach the divider (C) to base panel (G) with wooden dowel (M), and then attach the side shelf (H) to the divider with wooden dowels (See Fig. 1).



**Fig. 1**

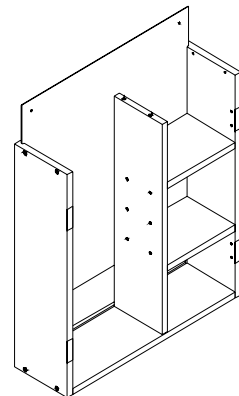
2. Attach the R side panel (B) to the unit use wooden dowel(N) first, and then fit it to the base panel with assembly screw(O). Fit the L side panel (A) to the unit with assembly screw(O) too. (See Fig.2).



**Fig. 2**

Ensure that the grooves in the side panels face inwards and are aligned with the groove in the base panel.

3. Insert the back panel (D) by sliding it into the grooves of the side panels (See Fig. 3).

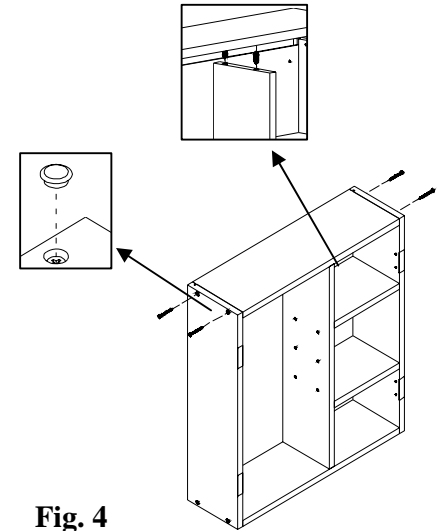


**Fig. 3**

Ensure that the laminated white surface is facing inwards and the holes are positioned as shown.

4. Attach the top panel (F) to assemble the frame, using screws & wooden dowels (O&M) (See Fig. 4).

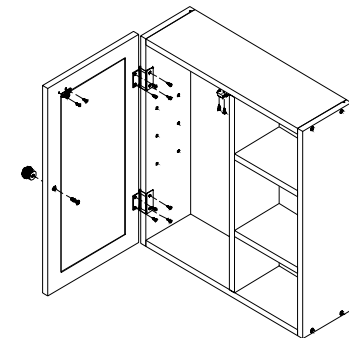
Make sure that the back panel is located properly in the groove in the top panel before tightening the screws.



**Fig. 4**

5. Insert the screw cover caps (S) over the holes in the L side & R side panels (A&B).

6. Fit the door catch (T) into the circular recesses in the door (E), securing with screws (P), and then attach the door panel (E) to the cabinet by using door hinges & hinge screws (J&K). (See Fig.5).



**Fig. 5**

# Assembly Instructions

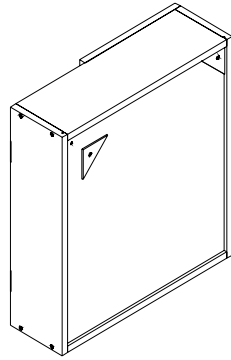
## Stage 2 - Fitting the Drawer

7. Attach the triangle plate (L) to the corners of back panel, securing it with glue (not provided) (See Fig. 6)

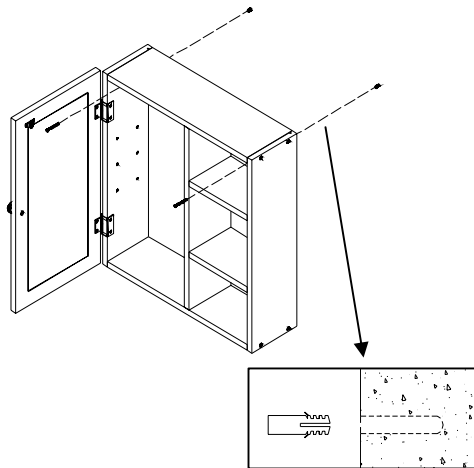
Ensure the holes in triangle plates are in line with those in the back panel.

8. Fit the chrome door knob (Q) to the door panel with knob bolt(R).

9. Select a suitable location against a wall to fix the cabinet onto the wall using the screws provided. Mark the position for the screw fixings through the top two fixing holes in the cabinet back. Drill the fixing holes in the wall and insert the wall plugs (W). Hold the cabinet over the drilled holes and fit the screws (Y) into the wall plugs through the cabinet back (See Fig. 7)

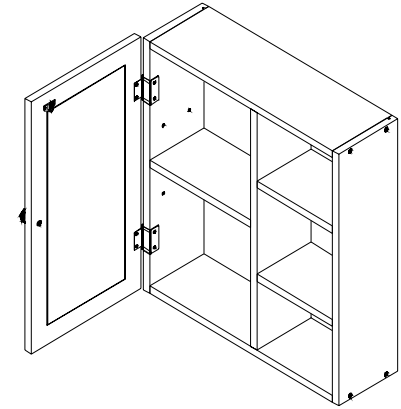


**Fig. 6**

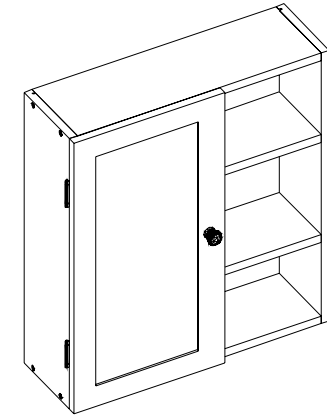


**Fig. 7**

10. After wall mounting the cabinet, fit the shelf supports (S) into the holes on each side of cabinet and place the wooden shelf (I) onto the supports (See Fig. 8).



**Fig. 8**



## Care and Maintenance

### SAFETY

To avoid any risk of suffocation to animals or children dispose of the plastic bags immediately.

### CLEANING

As with all surfaces clean with a damp cloth and mild detergent, do not use bleach or abrasive products.

### FITTING

From time to time please ensure there are no loose screws on the product.

# SAFETY WARNING INFORMATION

BS7449 : 1991

Keep these instructions for future use:

Catalogue Number: 832-3679 (D)

Manufacture date: \_\_\_\_\_

Retailer: ARG

Retailer address: 489-499 Avebury Boulevard  
Saxon Gate West  
Central Milton Keynes  
Bucks, MK9 2NW

## WARNINGS

\*Do not place very hot or very cold items against or in close proximity to glass surface unless an adequately thick insulating material is used to prevent such items from coming into contact with the glass.

\*Do not strike the glass with hard or pointed items.

\*When cleaning glass panels or mirrors use a damp or leather with washing up liquid or soft soap if necessary; do not use washing powders or any other substance containing abrasive since these substances scratch glass.

This unit contains [film backed mirror](#) of nominal thickness of 3 mm

This unit contains safety backed mirrored doors of a nominal thickness of 3 mm, which is not required to be classified to BS6206 Class C.

If a glass is chipped or broken replace with glass of the type described on this label. Consult the manufacturer, retailer, or agent with regard to obtaining a manufacturing specification and shape for replacement glass quoting the model number, and batch number or date of manufacture.