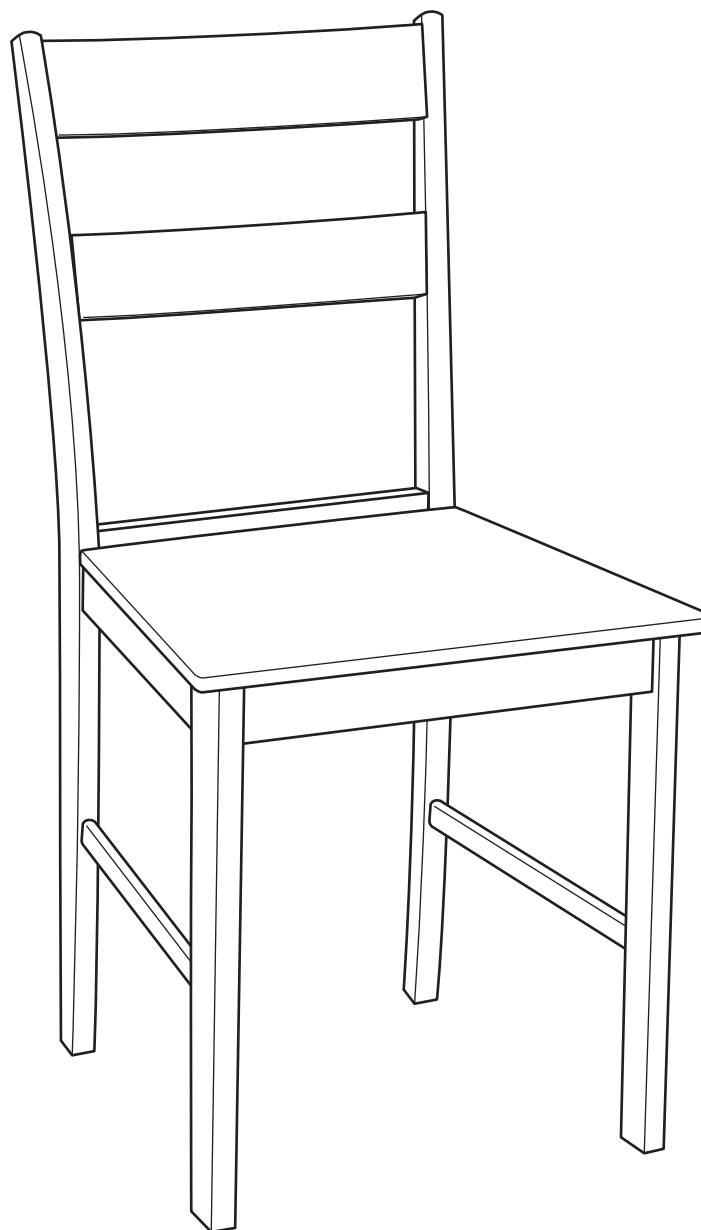


# Chicago Dining Chair

habitat 



## Spare Parts

 [www.argos-support.co.uk](http://www.argos-support.co.uk)

 [Help@ClickSpares.co.uk](mailto:Help@ClickSpares.co.uk)

 0370 112 1928

## Customer Support

 0345 640 2020



# Safety and Care Advice

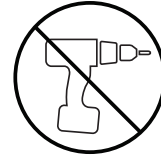
---

## Product Details

876/8186 825/2953 404/4952 730/6642 854/6102  
426/9610 792/8848 826/9214 484/9401 706/0861  
564/2346 463/7125 456/1916 212/4001

## IMPORTANT, RETAIN FOR FUTURE REFERENCE: READ CAREFULLY.

- Keep children and animals away from the work area, small parts could choke if swallowed.
- Make sure you have enough space to layout the parts before starting.
- This product has been constructed to be used in the domestic environment only and not for commercial purposes.
- Assemble the item as close to its final position (in the same room) as possible.
- Assemble on a soft level surface to avoid damaging the unit or your floor.
- We do not recommend the use of power drill/drivers for inserting screws as this could damage the unit. Only use hand screwdrivers.
- Parts of the assembly will be easier with 2 people.
- Dispose of all packaging carefully and responsibly.



## Care and maintenance

---

- Only clean using a damp cloth and mild detergent. Do not use abrasive cleaners.
- Use a dry cloth to clean the product, furniture polish is not recommended.
- From time to time check that there are no loose screws, nuts or bolts. If there are please re-tighten.
- This product should not be discarded with household waste. Take to your local authority waste disposal centre.

## Additional Guidance

---

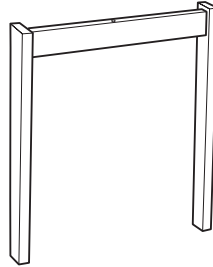
- Assemble all parts and bolts loosely during assembly, only once the product is complete should you fully tighten the bolts.
- Regularly check and ensure that all bolts and fittings are tightened properly.
- This product is compliant BS12520

# Parts



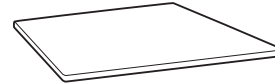
Pt. No

1 Backrest



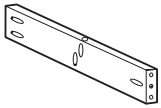
Pt. No

2 Front leg



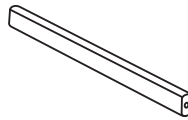
Pt. No

3 Seat



Pt. No

4 Side Rail (x2)

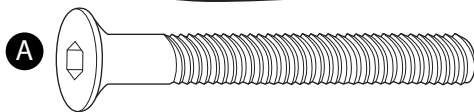


Pt. No

5 Stretcher (x2)

# Fittings (Shown to scale)

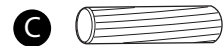
## Bag 1



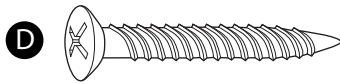
A M6 x 50mm Bolt x 6



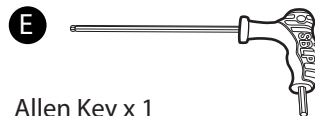
B Spring washer x 6



C Wooden dowel x 6

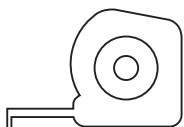


D M4 x 32mm Screw x 7

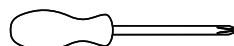


E Allen Key x 1

# Tools required

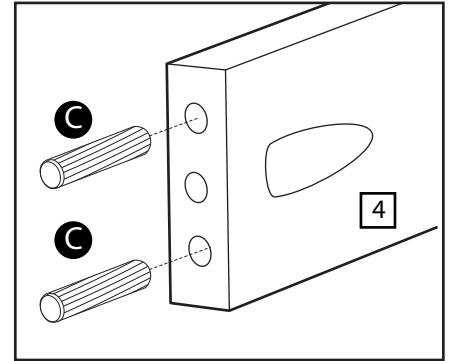
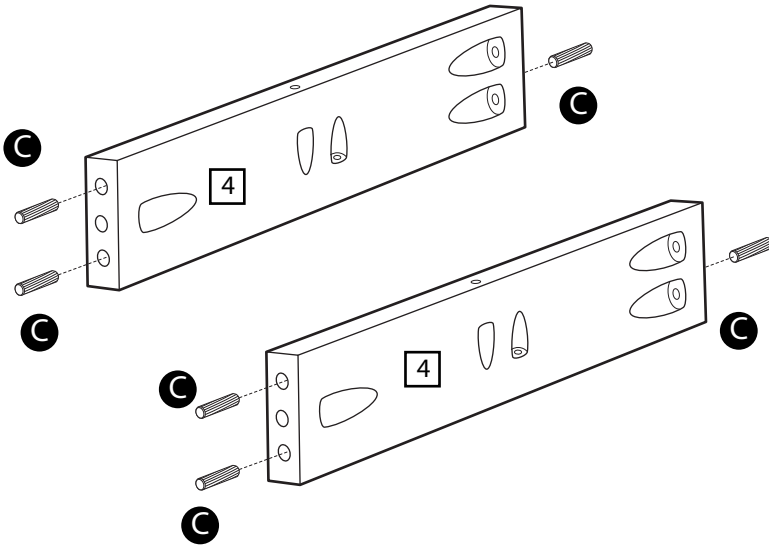
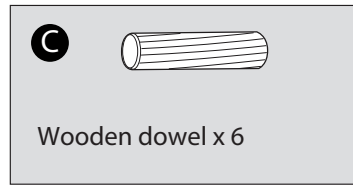
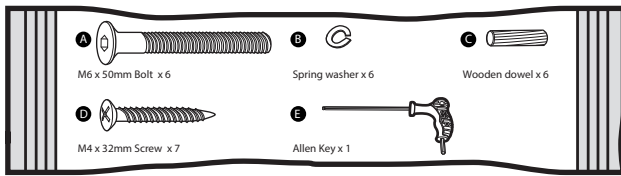


Ruler/tape measure

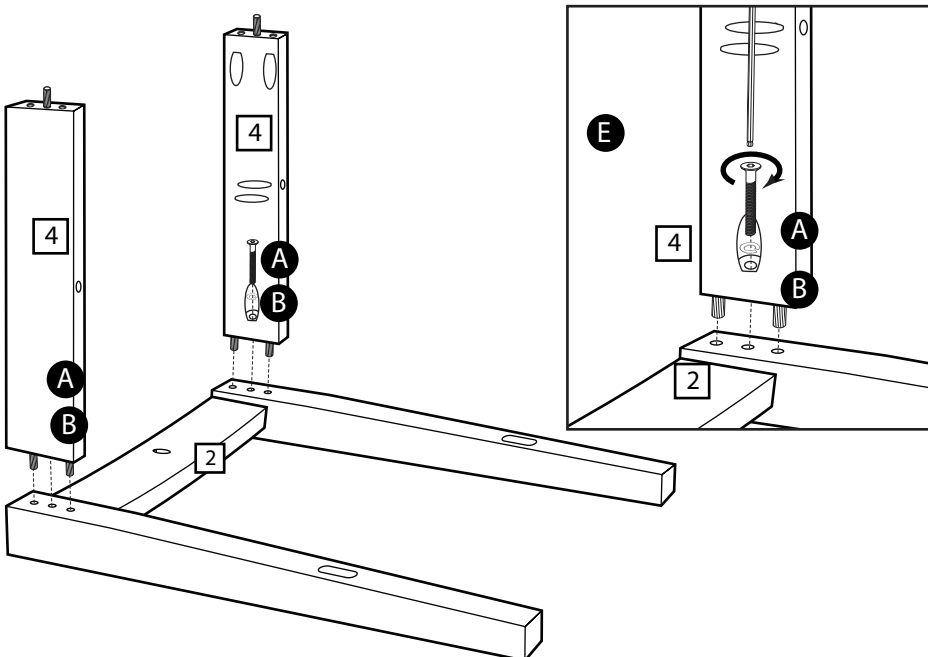
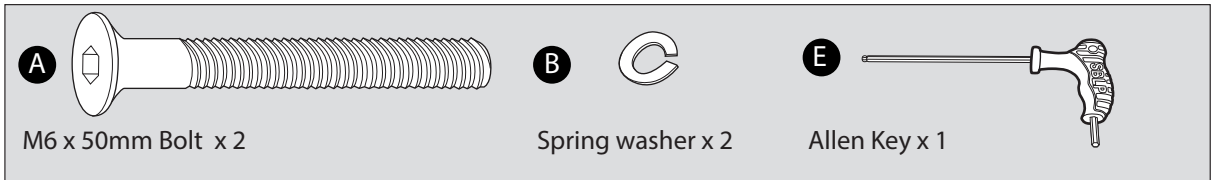


Phillips screwdriver (small & medium)

# 1



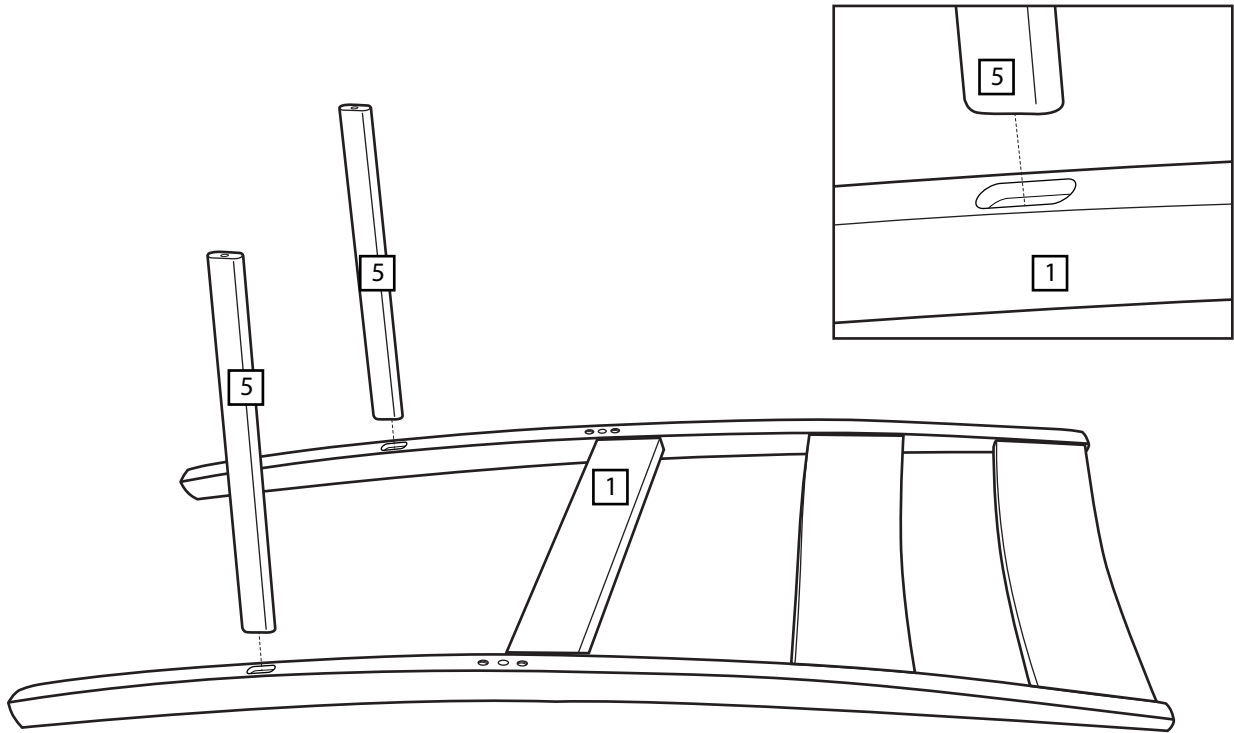
# 2



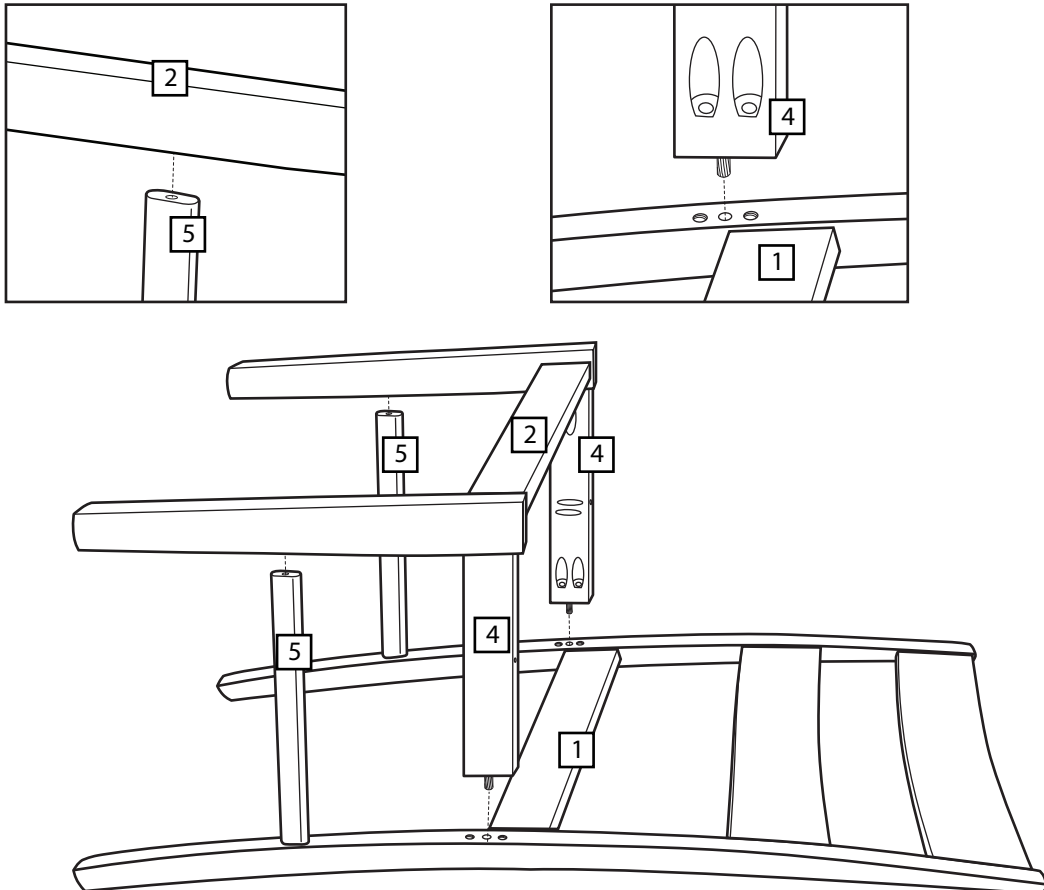
**WARNING!**

FASTEN BOLTS USING ALLEN KEY BUT DO NOT FULLY TIGHTEN AT THIS STAGE. USE OVAL HEAD OF ALLEN KEY WHEN TIGHTEN THE BOLTS ON CORNER POSITIONS.

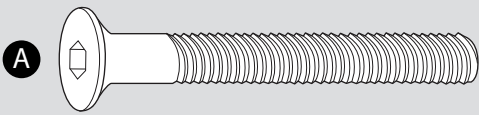
# 3



# 4



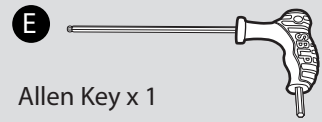
# 5



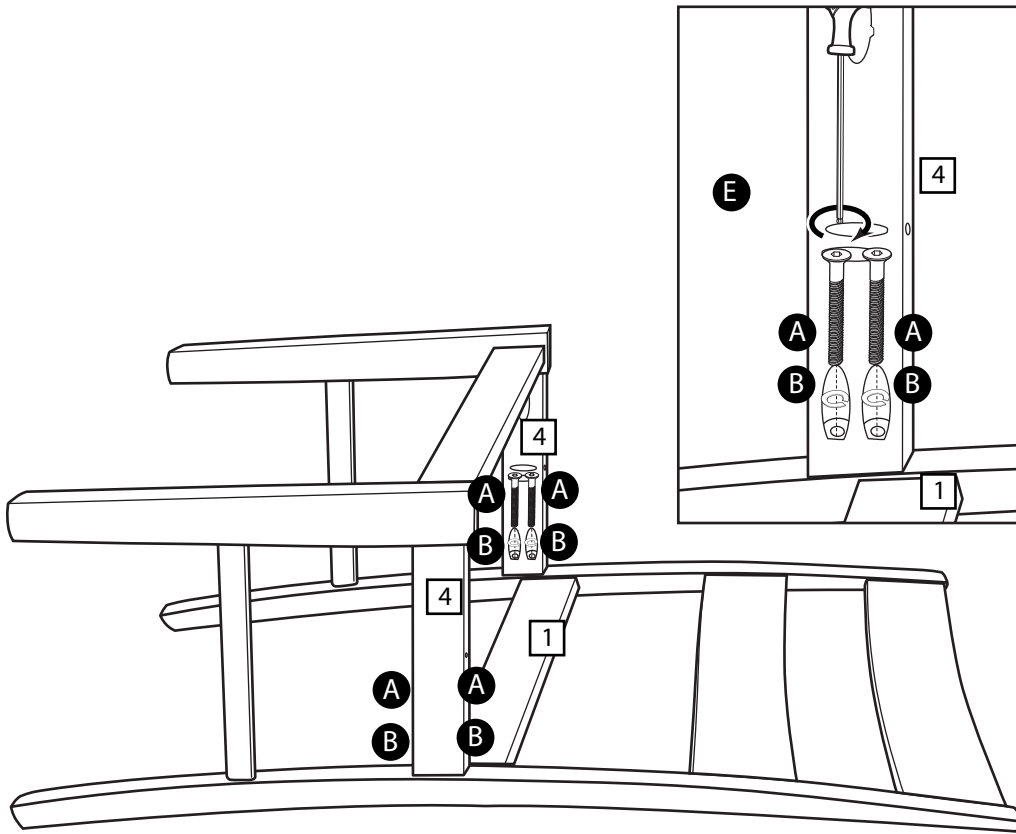
M6 x 50mm Bolt x 4



Spring washer x 4



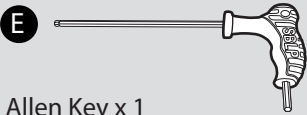
Allen Key x 1



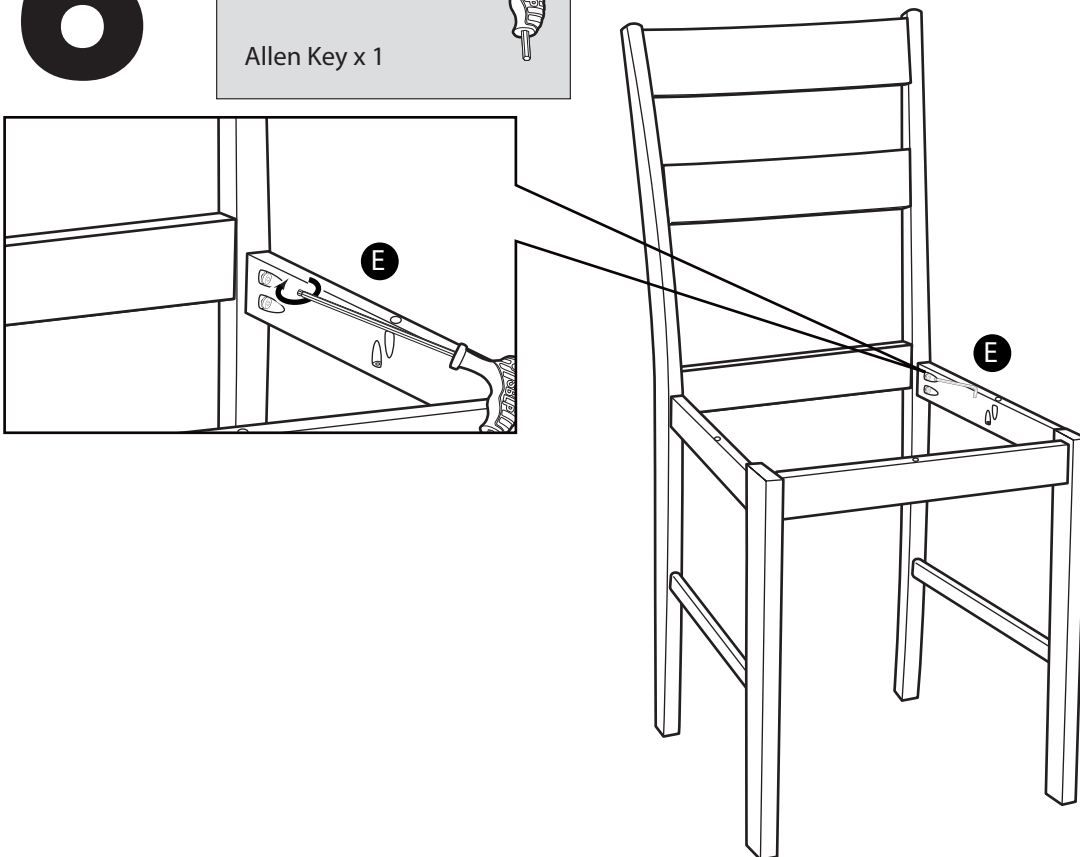
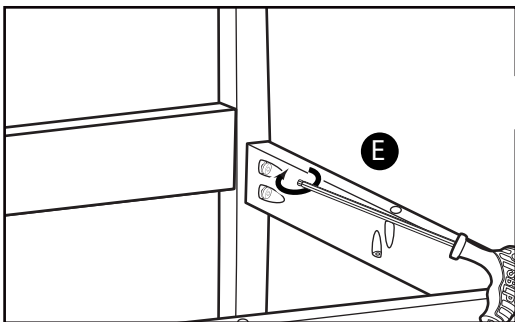
## WARNING!

FASTEN BOLTS USING ALLEN KEY BUT DO NOT FULLY TIGHTEN AT THIS STAGE. USE OVAL HEAD OF ALLEN KEY WHEN TIGHTEN THE BOLTS ON CORNER POSITIONS.

# 6



Allen Key x 1

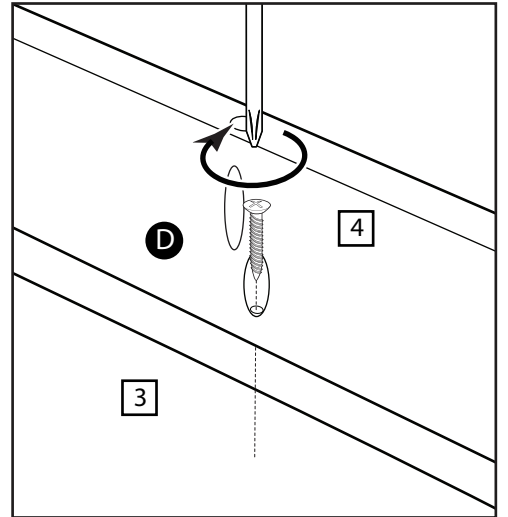
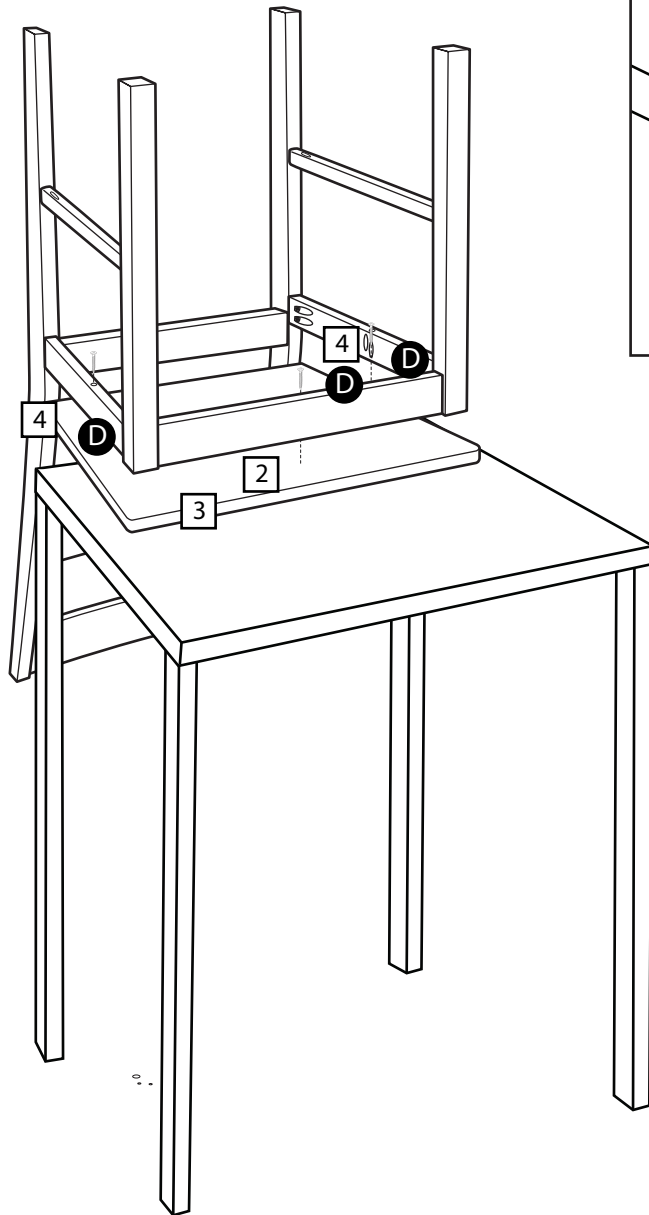
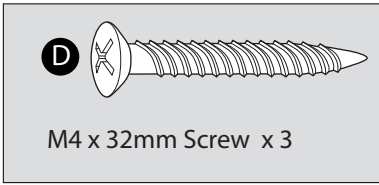


## WARNING!

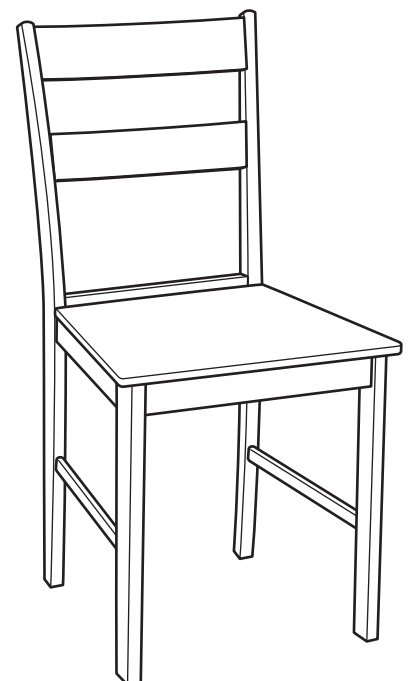
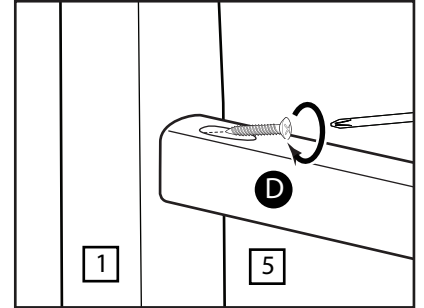
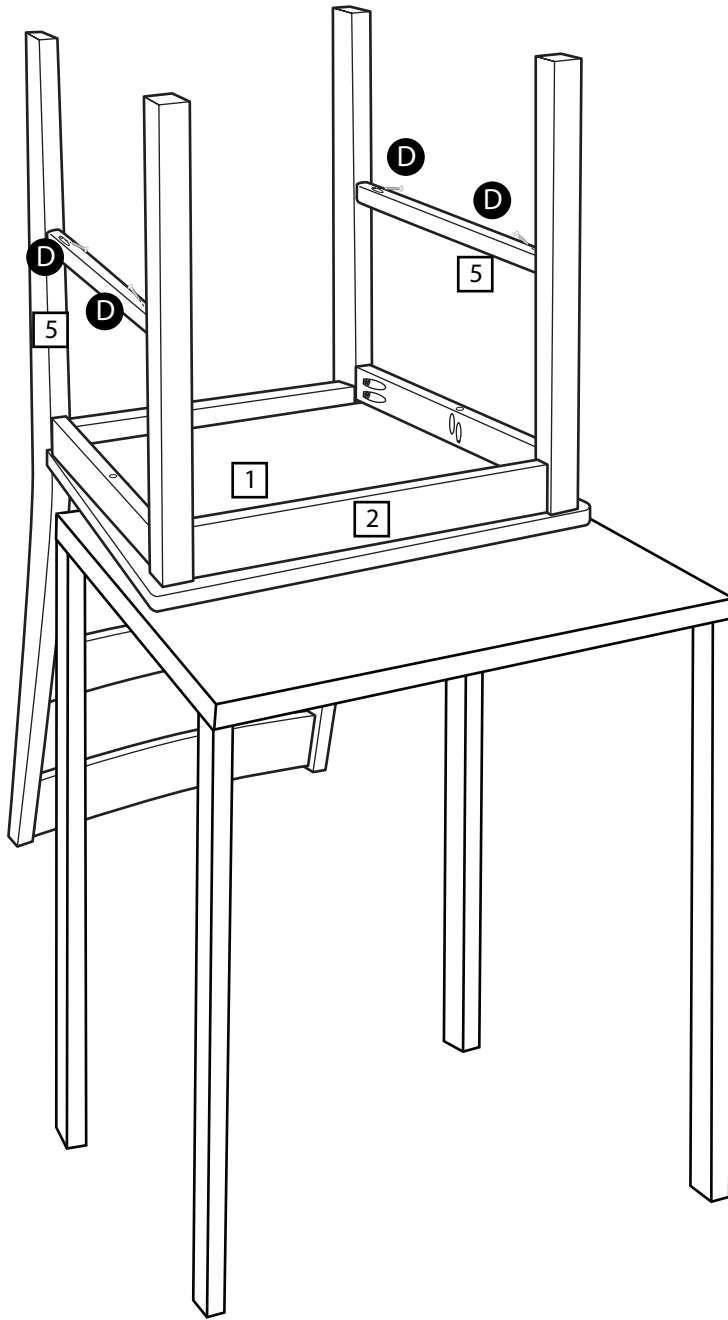
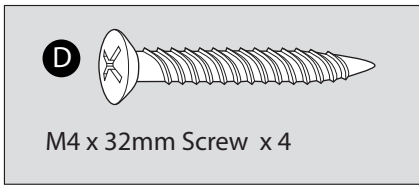
CAREFULLY TURN THE CHAIR UPRIGHT AND PLACE ON A FLAT SURFACE.

MAKE ADJUSTMENTS TO ENSURE THE CHAIR FRAME IS STRAIGHT AND THE LEGS ARE EVEN ON THE FLOOR THEN FULLY TIGHTEN ALL BOLTS ASSEMBLED IN PREVIOUS STEPS USING ALLEN KEY

# 7



# 8



Assembly complete.