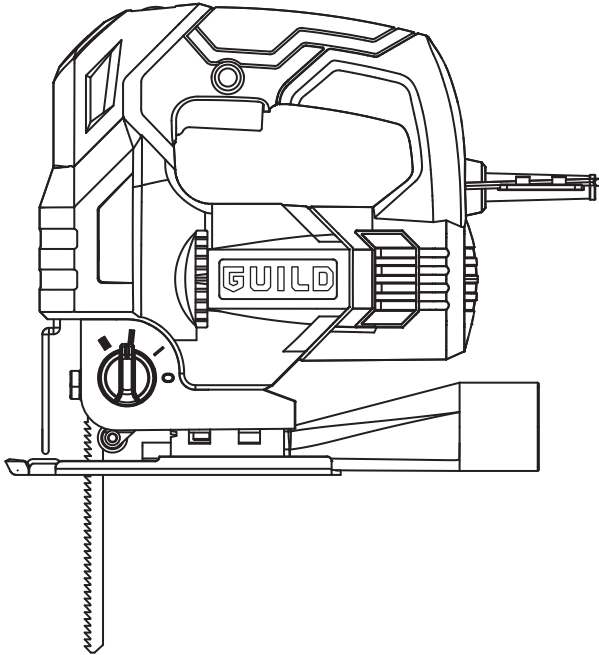


GUILD 550W Jigsaw

Instruction Manual

PSJ550GL



GUILD

After Sales Support

UK/Ireland 0333 3201989
Help@guildpowertools.co.uk

Important - Please read these instructions fully before operating or maintaining your Guild jigsaw

These instructions contain important information that will help you get the best from your Guild jigsaw, ensuring it remains safe to operate.

If you need help or have damaged or missing parts, call the Customer Helpline on 0333 3201989

Contents

Safety Information	3
In The Box	7
Accessories	7
Operating Instructions	8
Working Hints For Your Jigsaw	13
Maintenance	15
Technical Data	15
Environmental Protection	16
Guarantee	17
Declaration of Conformity	17
Plug Replacement (Uk & Ireland Only)	18

Safety Information

Important - Please read these instructions fully before starting assembly

Warning Symbols

The following warning symbols appear throughout this assembly manual and indicate the appropriate safety measures you should take when assembling and operating the jigsaw.



To reduce the risk of injury, Please read the instruction manual



Wear eye protection



Wear ear protection



Wear dust mask



Warning



Double insulation



Waste electrical products must not be disposed of with household waste. Please recycle where facilities exist. Check with your local authorities or retailer for recycling advice.

Safety Information

Important - Please read these instructions fully before starting assembly

General Power Tool Safety Warnings



WARNING! Read all safety warnings and all instructions. Failure to follow the warnings and instructions may result in electric shock, fire and/or serious injury.

Save all warnings and instructions for future reference.

The term "power tool" in the warnings refers to your mains-operated (corded) power tool or battery-operated (cordless) power tool.

1) Work area safety

- a) **Keep work area clean and well lit.** Cluttered or dark areas invite accidents.
- b) **Do not operate power tools in explosive atmospheres, such as in the presence of flammable liquids, gases or dust.** Power tools create sparks which may ignite the dust or fumes.
- c) **Keep children and bystanders away while operating a power tool.** Distractions can cause you to lose control.

2) Electrical safety

- a) **Power tool plugs must match the outlet. Never modify the plug in any way. Do not use any adapter plugs with earthed (grounded) power tools.** Unmodified plugs and matching outlets will reduce risk of electric shock.
- b) **Avoid body contact with earthed or grounded surfaces, such as pipes, radiators, ranges and refrigerators.** There is an increased risk of electric shock if your body is earthed or grounded.
- c) **Do not expose power tools to rain or wet conditions.** Water entering a power tool will increase the risk of electric shock.
- d) **Do not abuse the cord. Never use the cord for carrying, pulling or unplugging the power tool. Keep cord away from heat, oil, sharp edges or moving parts.** Damaged or entangled cords increase the risk of electric shock.
- e) **When operating a power tool outdoors, use an extension cord suitable for outdoor use.** Use of a cord suitable for outdoor use reduces the risk of electric shock.
- f) **If operating a power tool in a damp location is unavoidable, use a residual current device (RCD) protected supply.** Use of an RCD reduces the risk of electric shock.

3) Personal safety

- a) **Stay alert, watch what you are doing and use common sense when operating a power tool. Do not use a power tool while you are tired or under the influence of drugs, alcohol or medication.** A moment of inattention while operating power tools may result in serious personal injury.
- b) **Use personal protective equipment. Always wear eye protection.** Protective equipment such as dust mask, non-skid safety shoes, hard hat, or hearing protection used for appropriate conditions will reduce personal injuries.
- c) **Prevent unintentional starting. Ensure the switch is in the off-position before connecting to power source and/or battery pack, picking up or carrying the tool.** Carrying power tools with your finger on the switch or energising power tools that have the switch on invites accidents.

Safety Information

Important - Please read these instructions fully before starting assembly

General Power Tool Safety Warnings

- d) **Remove any adjusting key or wrench before turning the power tool on.** A wrench or a key left attached to a rotating part of the power tool may result in personal injury.
 - e) **Do not overreach. Keep proper footing and balance at all times.** This enables better control of the power tool in unexpected situations.
 - f) **Dress properly. Do not wear loose clothing or jewellery. Keep your hair, clothing and gloves away from moving parts.** Loose clothes, jewellery or long hair can be caught in moving parts.
 - g) **If devices are provided for the connection of dust extraction and collection facilities, ensure these are connected and properly used.** Use of dust collection can reduce dust-related hazards.
- 4) Power tool use and care**
- a) **Do not force the power tool. Use the correct power tool for your application.** The correct power tool will do the job better and safer at the rate for which it was designed.
 - b) **Do not use the power tool if the switch does not turn it on and off.** Any power tool that cannot be controlled with the switch is dangerous and must be repaired.
 - c) **Disconnect the plug from the power source and/or the battery pack from the power tool before making any adjustments, changing accessories, or storing power tools.** Such preventive safety measures reduce the risk of starting the power tool accidentally.
 - d) **Store idle power tools out of the reach of children and do not allow persons unfamiliar with the power tool or these instructions to operate the power tool.** Power tools are dangerous in the hands of untrained users.
 - e) **Maintain power tools. Check for misalignment or binding of moving parts, breakage of parts and any other condition that may affect the power tool's operation. If damaged, have the power tool repaired before use.** Many accidents are caused by poorly maintained power tools.
 - f) **Keep cutting tools sharp and clean.** Properly maintained cutting tools with sharp cutting edges are less likely to bind and are easier to control.
 - g) **Use the power tool, accessories and tool bits etc. in accordance with these instructions, taking into account the working conditions and the work to be performed.** Use of the power tool for operations different from those intended could result in a hazardous situation.
- 5) Service**
- Have your power tool serviced by a qualified repair person using only identical replacement parts.** This will ensure that the safety of the power tool is maintained.



Safety Information

Important - Please read these instructions fully before starting assembly

Jigsaw Safety Warnings

1. **Hold jigsaw by insulated gripping surfaces, when performing an operation where the cutting accessory may contact hidden wiring or its own cord.** Cutting accessory contacting a "live" wire may make exposed metal parts of the power tool "live" and could give the operator an electric shock.

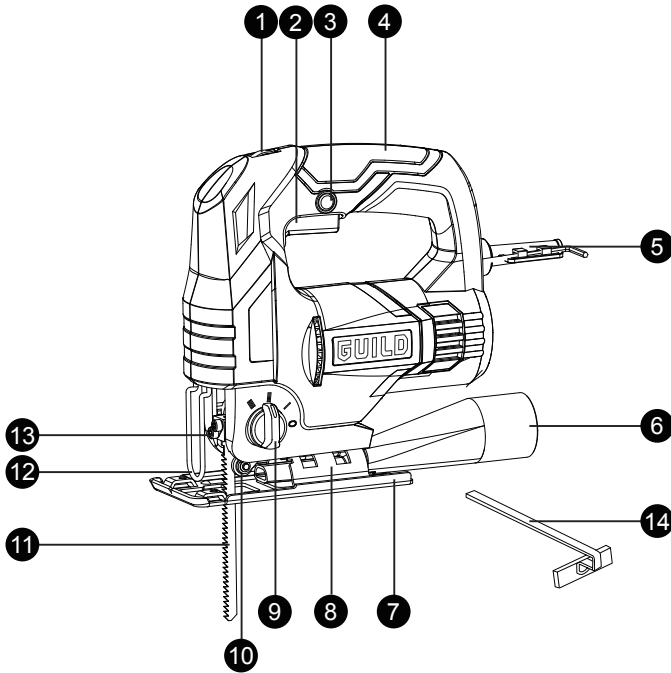
Additional Safety Rules for Jigsaw

1. **Always wear a dust mask.**

In The Box

Parts

- 1 Variable Speed Control
- 2 On/Off Switch
- 3 Lock-On Button
- 4 Hand Grip Areas
- 5 Allen Key
- 6 Vacuum Adaptor
- 7 Base Plate
- 8 Angle Plate
- 9 Pendulum Action Control
- 10 Roller Guide
- 11 Wood Cutting Blade
- 12 Finger Protection
- 13 Blade Holder
- 14 Parallel Guide



Accessories

Parallel guide
Allen key
Vacuum adaptor
Wood cutting blade

1pc
1pc
1pc
1pc

Operating Instructions



NOTE: Before using the tool, read the instruction book carefully.

Intended Use

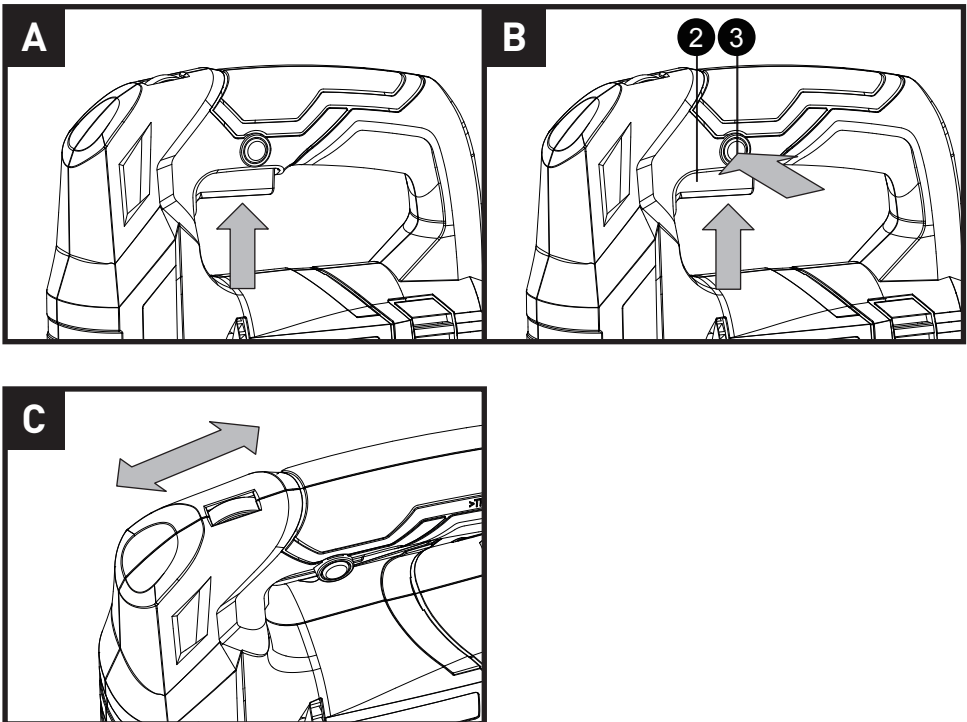
The machine is intended for sawing wood, plastic, metal and building materials while resting firmly on the workpiece. It is suitable for straight and curved cuts with bevel angles to 45°. The saw blade recommendations are to be observed.

1.ON/OFF SWITCH

Depress to start and release to stop your tool. (SEE FIG A)

2. SWITCH LOCK-ON BUTTON

Depress on/off switch [2] then lock-on button [3] (SEE FIG B), release on/off switch first then lock-on button second. Your switch is now locked on for continuous use. To switch off your tool just depress and release on/off switch.



Operating Instructions

3. VARIABLE SPEED CONTROL

Adjust the thumb-wheel to increase or decrease the speed (SEE FIG C) according to the material, material thickness and blade specification to be used (also possible during no load operation). See Chart 1 for general guidance on speed selection.

Avoid prolonged use at very low speed as this may damage your jigsaw's motor.

Chart 1	
Material	Speed setting
Wood	5-6
Metal	3-4
Aluminum	3-5
PVC	3-4
Ceramic	3-5

4. HAND GRIP AREAS

Always ensure you maintain a firm grip whilst operating your jigsaw.

Operating Instructions

5. ALLEN KEY STORAGE

The allen key (5) is placed at the power cable sheath (SEE FIG D).

6. BLADE FITTING (SEE FIG E)

NOTE: Remove the plug from the socket before carrying out any adjustment, servicing or maintenance.

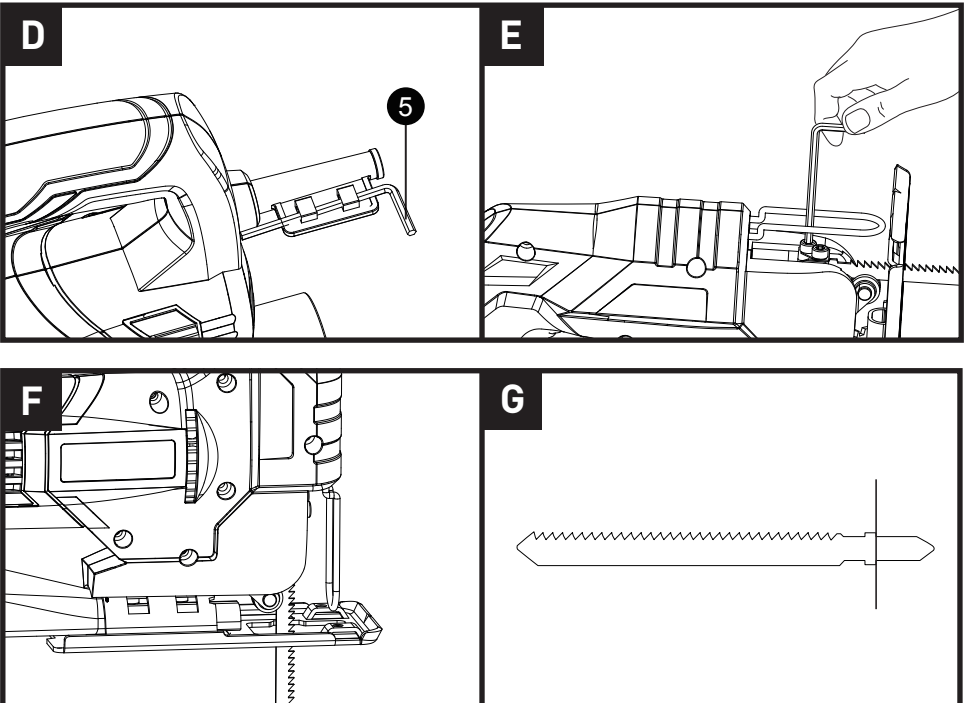
To fit blade firstly use the allen key provided to loosen the blade set screws on the blade holder. The blade's cutting edge should be facing forward. Insert the blade's mounting portion into the groove in the blade holder until it touches the bottom of the holder. Then firmly tighten the set screw as shown in FIG E.

NOTE: To fit the blade firmly, do not insert the blade over the line.(SEE FIG G)

⚠ WARNING: Blade teeth are very sharp. For best cutting results ensure you use a blade suited to the material and cut quality you need.

7. ROLLER GUIDE(SEE FIG F)

Ensure the blade is located and runs smoothly in the groove (SEE FIG F) otherwise the pendulum function will not work correctly and the blade will not be supported during cutting.



Operating Instructions

8. MOUNTING PARALLEL GUIDE (SEE FIG H1, H2)

Slide the parallel guide arm through both parallel guide fixtures and tighten the locking knob (a) to achieve the required cutting distance. The parallel guide can be mounted in two positions as shown in H1 and H2.

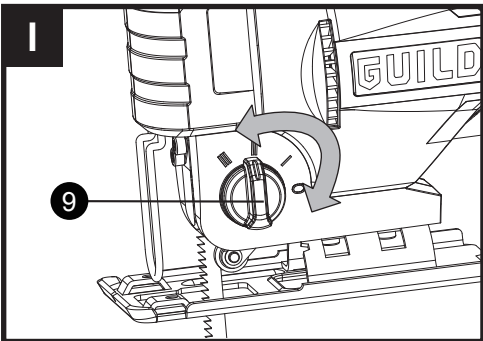
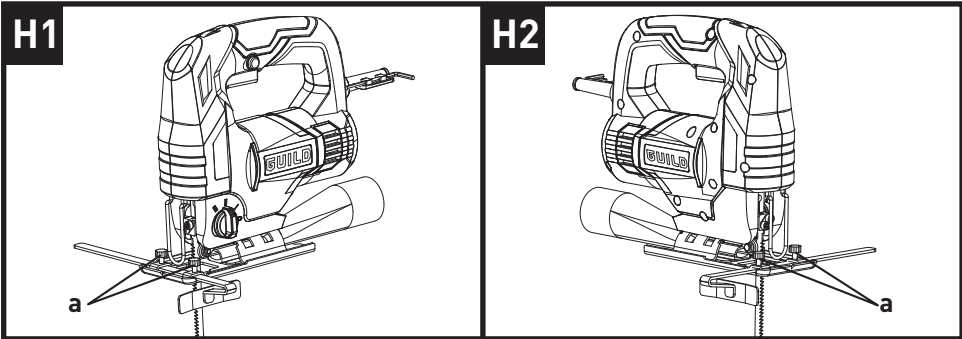
9. PENDULUM ACTION CONTROL (SEE FIG I)

The pendulum action varies the forward cutting angle of the blade for increased cutting efficiency. This can also be adjusted during no load running. Refer to the chart 2 for more details. Do not use excessive blade force when cutting with the pendulum action. The blade cuts on the upward stroke only.

Chart 2	
0	Thin materials. Fine cuts. Tight curves.
I	Hard materials, [e.g. steel & chipboard]
II	Thick materials [e.g. wood] & plastic
III	Fast cuts [e.g. softwood]. Cutting in the direction of the wood grain.

10. BASE PLATE

Adjusting the angle of the base plate (7) enables bevel cutting. The base plate must always be held firmly against the materials being cut to reduce saw vibration, blade jumping or blade breakage.



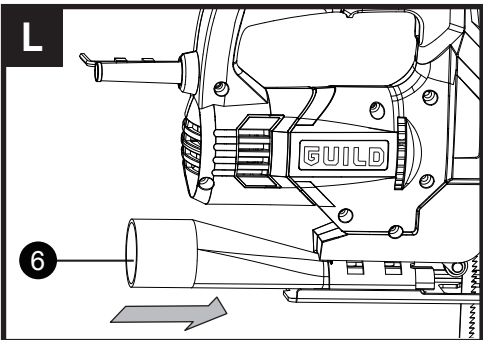
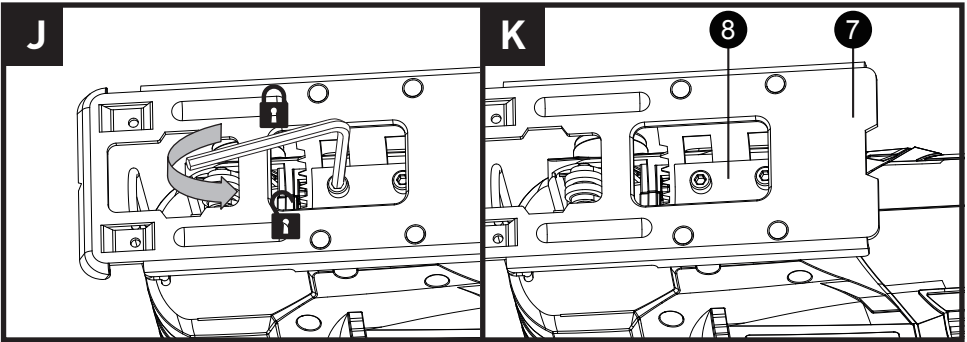
Operating Instructions

11. BASE PLATE ANGLE ADJUSTMENT

Use an Allen key (5). Loosen the bolts securing the base plate (SEE FIG J). For preset angles rotate so the lines of the angle on the base plate and angle plate (8) superposition at the desired angle (0°, 15°, 30°, 45°) (SEE FIG K). For other mitre angles, rotate to your desired angle (use a protractor scale). Following one of the above procedures, hold the base plate in position and firmly tighten the bolts to clamp the base plate at that angle. Finally, check the angle and ensure the base plate is firmly clamped. The angle markings on the base plate are accurate for most general purposes but it is recommended for accurate work to set the angle with a protractor and make a test cut on other material.

12. DUST TUBE (SEE FIG L)

Mount the dust tube (6) into the opening of the base plate (7). Make sure that the plastic tip of the vacuum connection engages into the corresponding opening on the housing as shown in the figure.



Operating Instructions

13. FINGER PROTECTION

The finger protection is located in front of the blade holder. Whilst working, it will help prevent accidental contact with moving blade.

14. DUST BLOWER AIR HOLE

This is a small aperture located underneath the housing just behind the blade guide. Ensure this is kept clean to allow the air flow to continually blow dust away from the cutting area.

Working Hints For Your Jigsaw

If your jigsaw becomes too hot, especially when used at low speed, set the speed to maximum and run no Load for 2-3 minutes to cool the motor. Avoid prolonged usage at very low speeds.

GENERAL

Always use a blade suited to the material and material thickness to be cut. Always ensure the work-piece is firmly held or clamped to prevent movement. For easier control, use low speed to start cutting, then increase to correct speed.

Any movement of the material may affect the quality of the cut. The blade cuts on the upward stroke and may chip the uppermost surface or face of the work piece. Ensure your uppermost surface is a non-visible surface when your work is finished.

CUTTING LAMINATES

Use a fine tooth blade when cutting most laminates and thin wood materials. To reduce edge chipping, clamp pieces of waste wood at both ends on both sides and cut through the waste wood during cutting.

CIRCLE CUTTING

Do not use the pendulum action when cutting tight circles or angles.

Working Hints For Your Jigsaw

PLUNGE SAWING

Plunge cutting may be used only on soft materials such as wood, aerated concrete, gypsum plaster boards, etc.

Use only short saw blades.

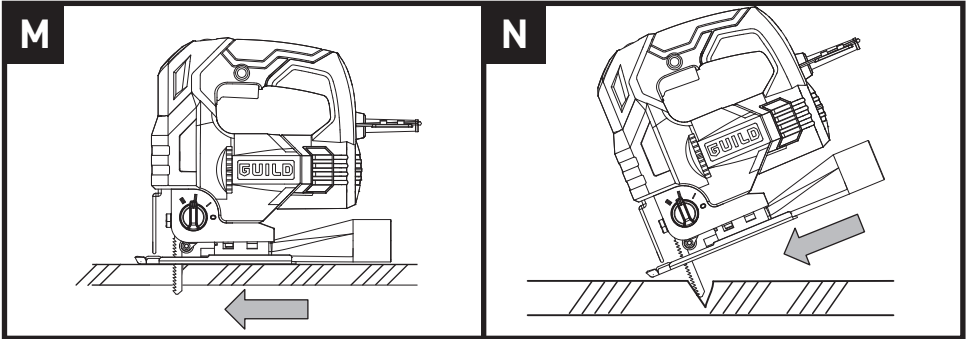
Place the front edge of the base plate on the workpiece and switch on. Press the machine firmly against the workpiece and plunge the saw blade slowly into the workpiece.

As soon as the complete surface of the base plate rests on the work piece, continue to saw along the cutting line. (SEE FIG M, N)

METAL CUTTING

Use a finer tooth blade for ferrous metals and a coarse tooth blade for non-ferrous metals.

When cutting thin sheet metals always clamp wood on both sides of the sheet to reduce vibration or tearing of the sheet metal. Both wood and sheet metal must be cut. Do not force the cutting blade when cutting thin metal or sheet steel as they are harder materials and will take longer to cut. Excessive blade force may reduce the life of the blade or damage the motor. To reduce heat during metal cutting, add a little lubricant along the cutting line.



Maintenance

Remove the plug from the socket before carrying out any adjustment, servicing or maintenance.

Your power tool requires no additional lubrication or maintenance. There are no user serviceable parts in your power tool. Never use water or chemical cleaners to clean your power tool. Wipe clean with a dry cloth. Always store your power tool in a dry place. Keep the motor ventilation slots clean. Keep all working controls free of dust. Occasionally you may see sparks through the ventilation slots. This is normal and will not damage your power tool.

If the supply cord is damaged, it must be replaced by the manufacturer, its service agent or similarly qualified persons in order to avoid a hazard.

Technical Data

Technical Data Table

Voltage	230-240V~50Hz
Power input	550W
No-load speed	0-3000 /min
Stroke length	18mm
Bevel capacity	±45°
Cutting capacity, max.	
Wood	65mm
Aluminum	12mm
Steel	6mm
Protection Class	□/II
Machine Weight	2.02kg

Noise Information

A weighted sound pressure
A weighted sound power

Wear ear protection.

L_{pA} : 73,9dB(A)
 L_{wA} : 84,9dB(A)
 K_{pA} & K_{wA} = 3.0dB(A)



Technical Data

Vibration Information

Vibration total values (triax vector sum) determined according to EN 60745:	
Cutting boards	Vibration emission value $a_{h,B} = 6,4\text{m/s}^2$
	Uncertainty $K = 1,5\text{m/s}^2$
Cutting steel metal	Vibration emission value $a_{h,M} = 6,1\text{m/s}^2$
	Uncertainty $K = 1,5\text{m/s}^2$

The declared vibration total value may be used for comparing one tool with another, and may also be used in a preliminary assessment of exposure.



WARNING: The vibration emission value during actual use of the power tool can differ from the declared value depending on the ways in which the tool is used dependant on the following examples and other variations on how the tool is used:

How the tool is used and the materials being cut .

The tool being in good condition and well maintained

The use the correct accessory for the tool and ensuring it is sharp and in good condition.

The tightness of the grip on the handles and if any anti vibration accessories are used.

And the tool is being used as intended by its design and these instructions.

This tool may cause hand-arm vibration syndrome if its use is not adequately managed



WARNING: To be accurate, an estimation of exposure level in the actual conditions of use should also take account of all parts of the operating cycle such as the times when the tool is switched off and when it is running idle but not actually doing the job. This may significantly reduce the exposure level over the total working period.

Helping to minimize your vibration exposure risk.

Maintain this tool in accordance with these instructions and keep well lubricated (where appropriate)

If the tool is to be used regularly then invest in anti vibration accessories.

Avoid using tools in temperatures of 10°C or less

Plan your work schedule to spread any high vibration tool use across a number of days.

Environmental Protection



Waste electrical products must not be disposed of with household waste. Please recycle where facilities exist. Check with your local authorities or retailer for recycling advice.

Guarantee

This product is selected for DOMESTIC USE ONLY and not for business use. This product is guaranteed against manufacturing defects for a period of 24 months. This does not cover the product where the fault is due to misuse, abuse, use in contravention of the instructions, or where the product has been the subject of unauthorised modifications or alterations, or has been the subject of commercial use. In the event of a problem with the product within the guarantee period please return it to your nearest store. If the item is shown to have an inherent defect present at the time of sale, the store will provide you with a replacement. Your statutory rights remain unaffected.

Issue1 08/2015

Declaration of Conformity

This Guild 550W Jigsaw model number PSJ550GL fully complies with the Machinery Directive 2006/42/EC, Electromagnetic Compatibility Directive 2004/108/EC(before 2016/04/20) and 2014/30/EC(since 2016/04/20), RoHS Directive 2011/65/EU and the following harmonized EU standards

EN 60745-2-11: 2010

EN 60745-1: 2009 + A11: 2010

EN 55014-1: 2006 + A1:2009 + A2:2011

EN 55014-2: 1997 + A1:2001 + A2:2008

EN 61000-3-2: 2014

EN 61000-3-3: 2013

This declaration is made under the sole responsibility of Argos Ltd, 489/499 Avebury Boulevard, Milton Keynes, MK9 2NW

Category Technical Manager
Issued 20/10/2015

signed *Luke Wong*

Plug Replacement (Uk & Ireland Only)

If you need to replace the fitted plug then follow the instructions below.

IMPORTANT

The wires in the mains lead are colored in accordance with the following code:

Blue – Neutral

Brown – Live

As the colors of the wires in the mains lead of this appliance may not correspond with the coloured markings identifying the terminals in your plug, proceed as follows. The wire which is coloured blue must be connected to the terminal which is marked with N. The wire which is coloured brown must be connected to the terminal which is marked with L.



WARNING:

Never connect live or neutral wires to the earth terminal of the plug. Only fit an approved BS1363/A plug and the correct rated fuse.

Note: If a moulded plug is fitted and has to be removed take great care in disposing of the plug and severed cable, it must be destroyed to prevent engaging into a socket.

