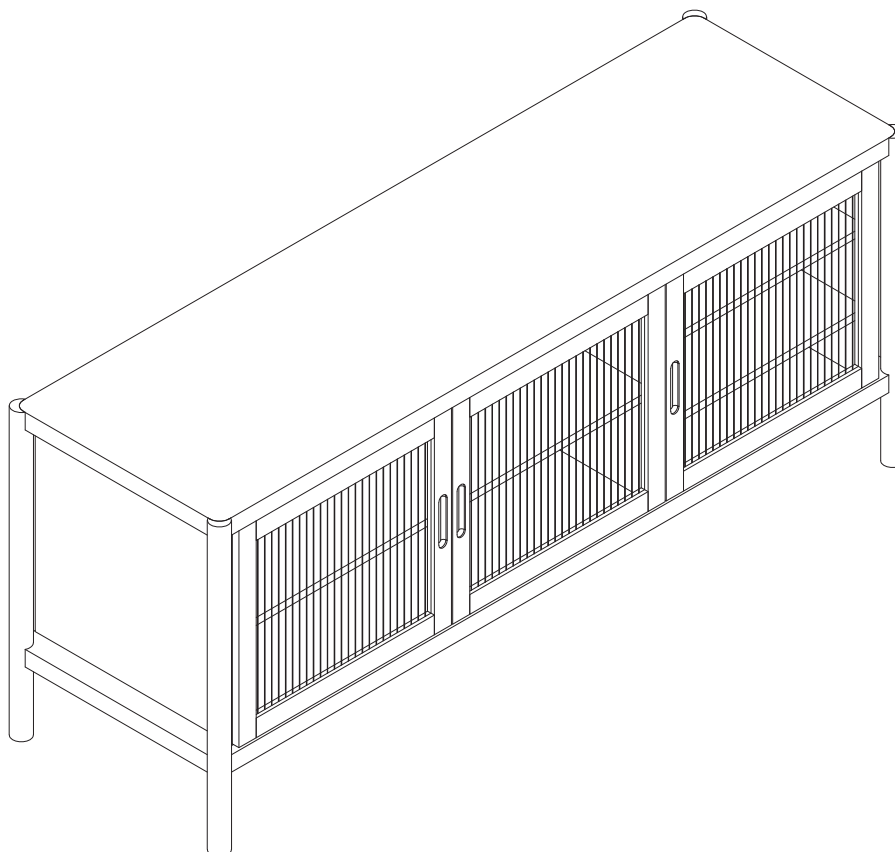



Yakker

 habitat



Spare Parts

 www.argos-support.co.uk

 Help@ClickSpares.co.uk

 0370 112 1928

Customer Support

 0345 640 2020



Safety and Care Advice

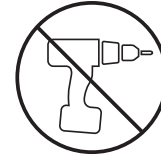
Product Details

Yakker Sideboard Oak / 4546584

IMPORTANT, RETAIN FOR FUTURE REFERENCE: READ CAREFULLY.

- Keep children and animals away from the work area, small parts could choke if swallowed.
- Make sure you have enough space to layout the parts before starting.
- This product has been constructed to be used in the domestic environment only and not for commercial purposes.

- Assemble the item as close to its final position (in the same room) as possible.
- Assemble on a soft level surface to avoid damaging the unit or your floor.



• We do not recommend the use of power drill/drivers for inserting screws as this could damage the unit. Only use hand screwdrivers.

- Parts of the assembly will be easier with 2 people.
- Dispose of all packaging carefully and responsibly.

Care and maintenance

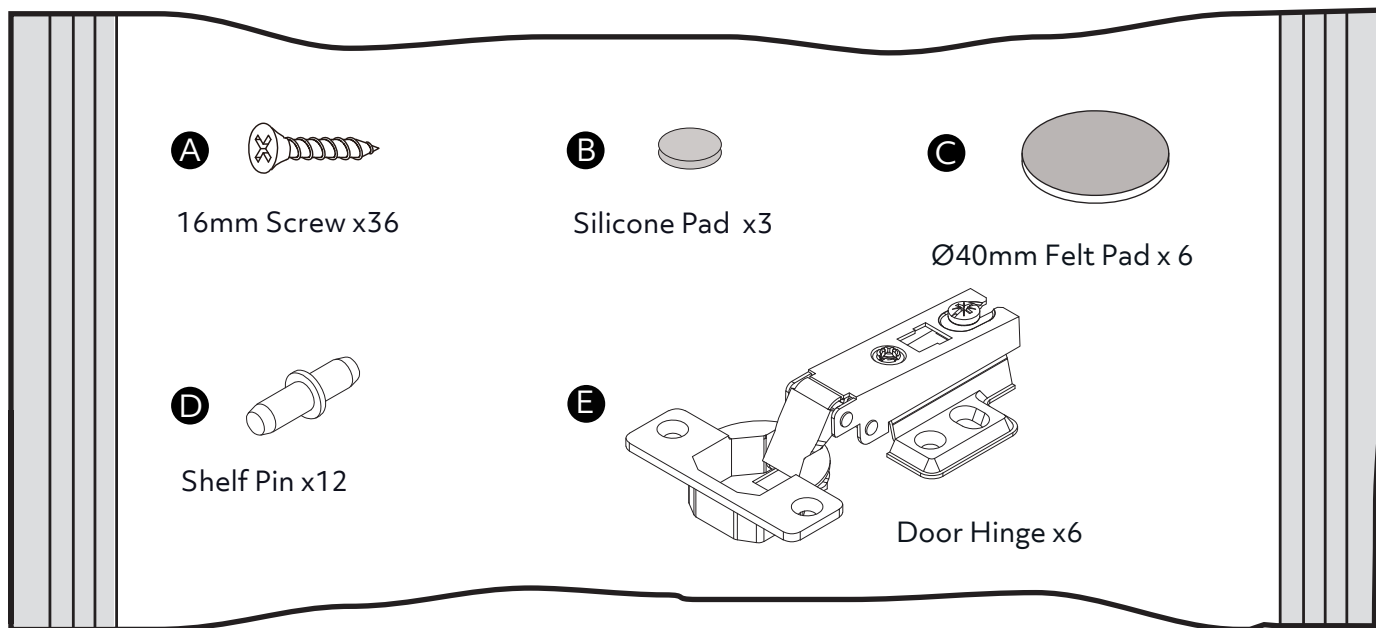
- Only clean using a damp cloth and mild detergent. Do not use abrasive cleaners.
- Use a dry cloth to clean the product, furniture polish is not recommended.
- From time to time check that there are no loose screws, nuts or bolts. If there are please re-tighten.
- This product should not be discarded with household waste. Take to your local authority waste disposal centre.

Additional Guidance

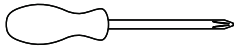
- Assemble all parts and bolts loosely during assembly, only once the product is complete should you fully tighten the bolts.
- Regularly check and ensure that all bolts and fittings are tightend properly.
- Maximum loading weight 100kg.
- This product is compliant EN14749, BS4875-7

Fittings (Shown to scale)

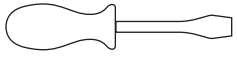
Bag 1



Tools required

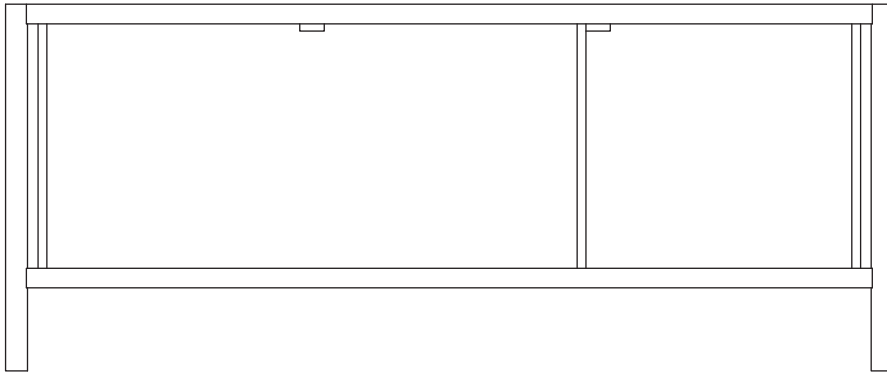


Phillips screwdriver
(small & medium)



Phillips screwdriver
(small & medium)

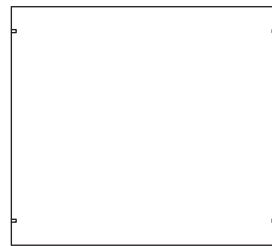
Panels



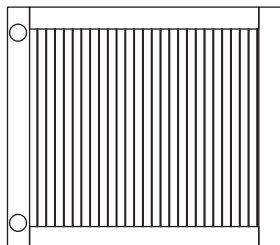
1 Sideboard x 1
(1813 x 563mm)



2 Large Shelf Panel x 1
(1085 x 488mm)



3 Small Shelf Panel x 2
(544 x 488mm)

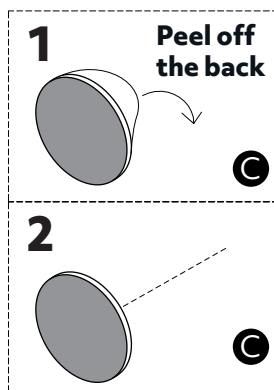
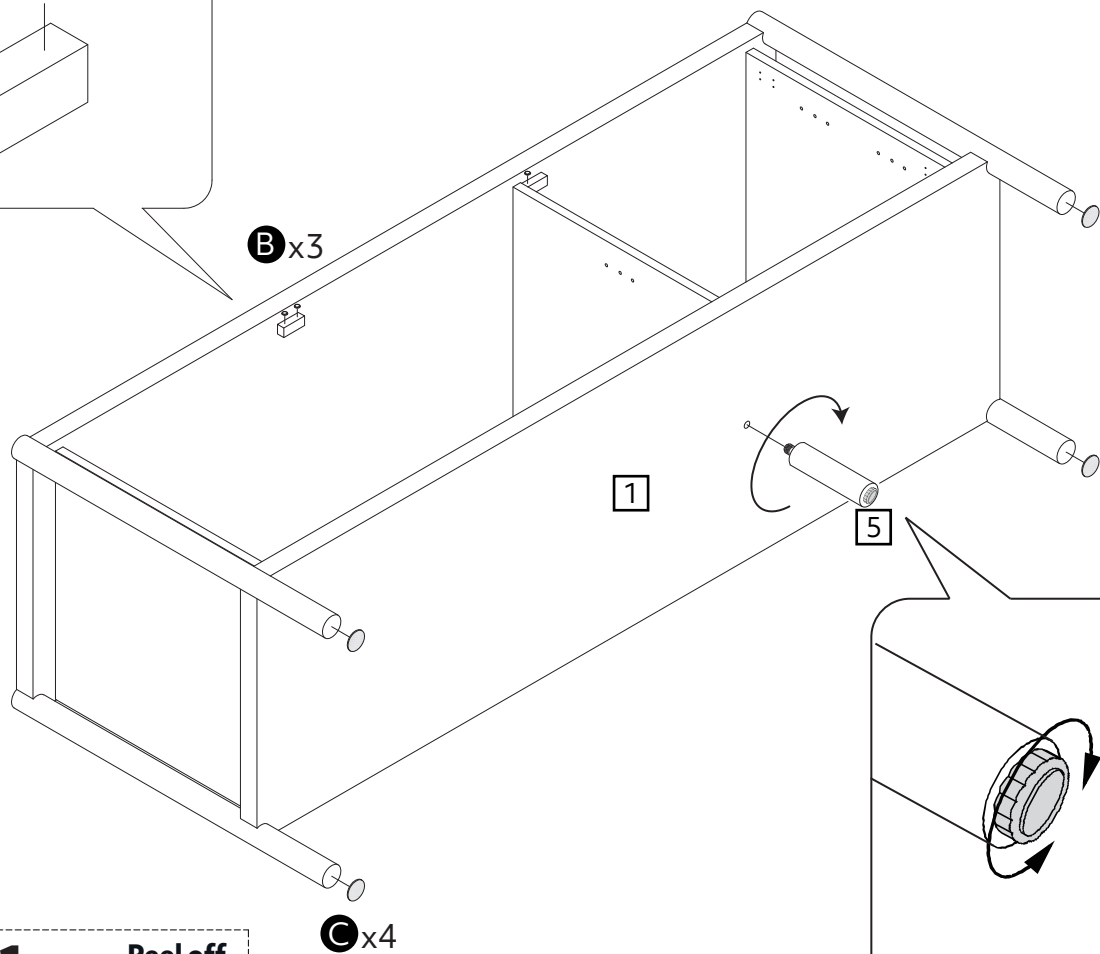
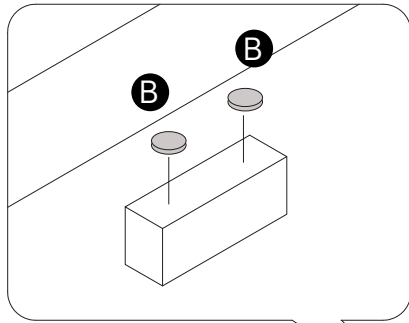
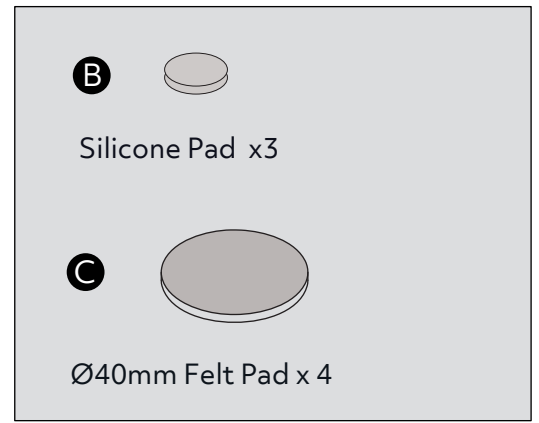
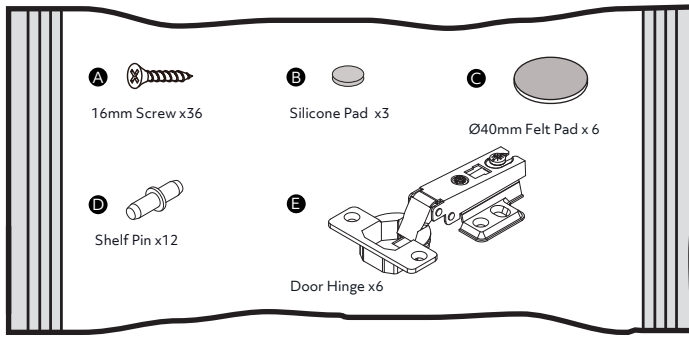


4 Door x 3
(494 x 559mm)



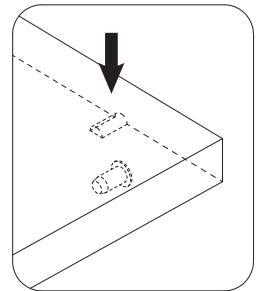
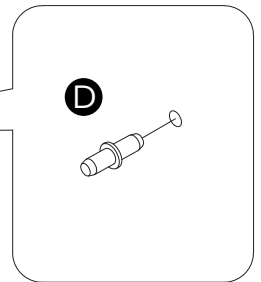
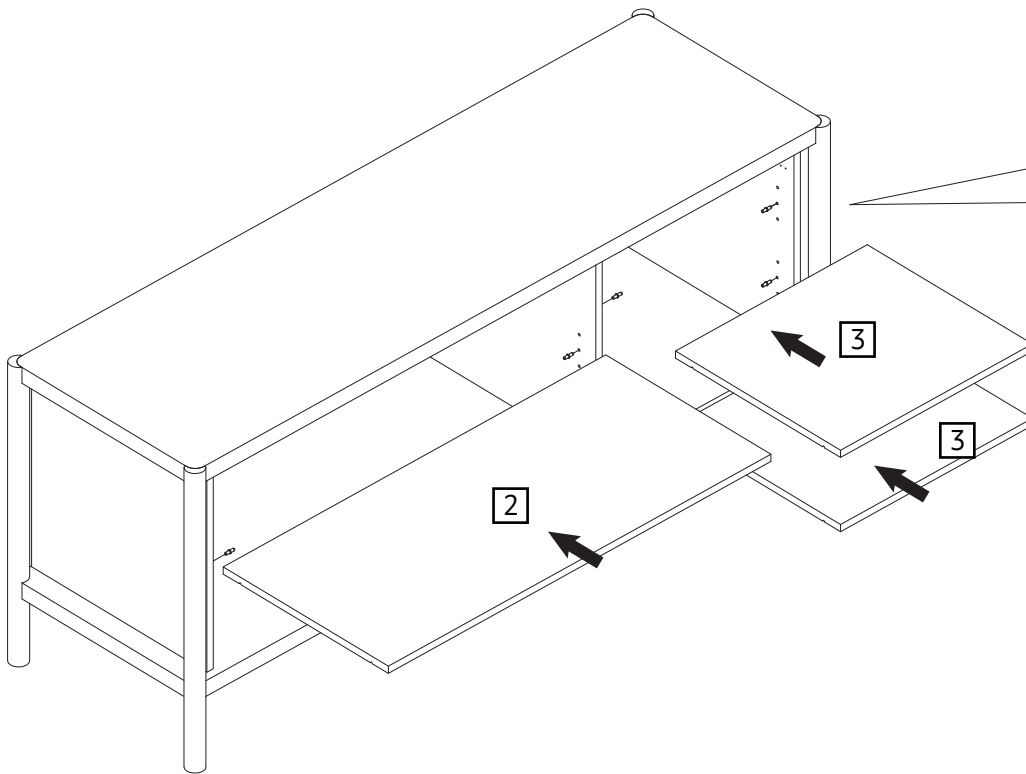
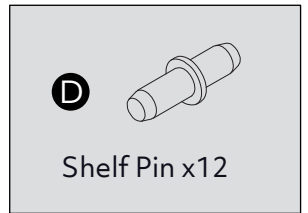
5 Support Leg x 1
(Ø35 x 212mm)

1



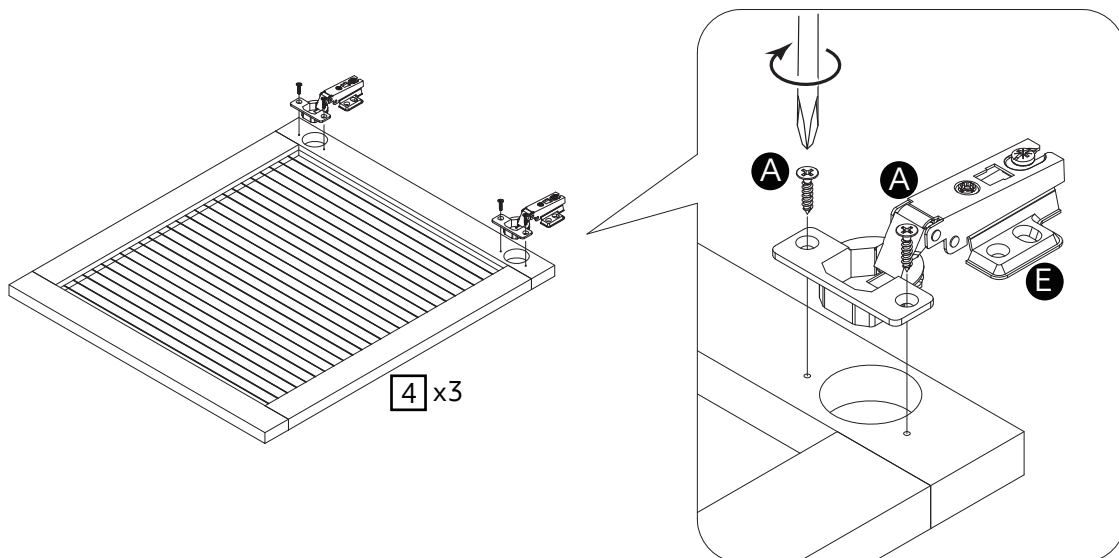
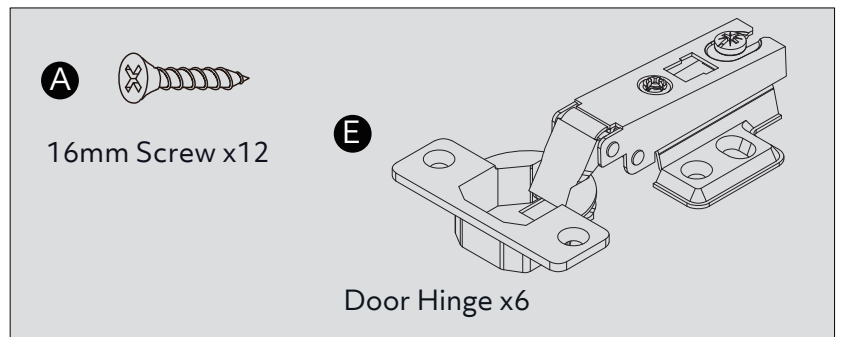
2

 Turn Product



3

 Repeat x3

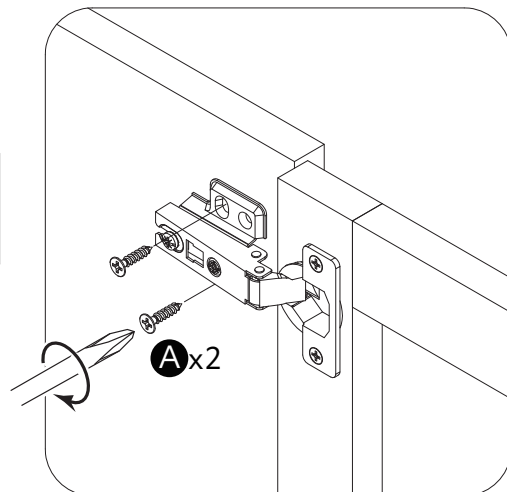
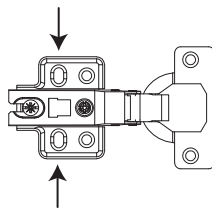
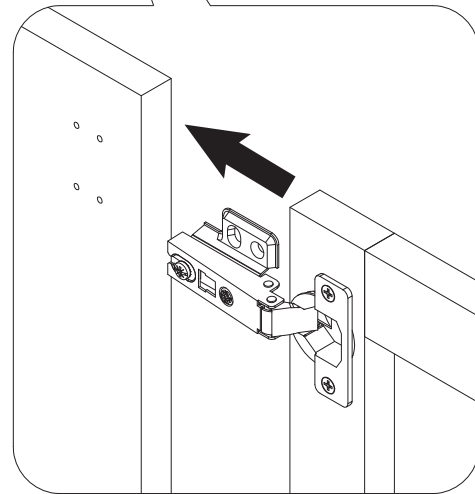
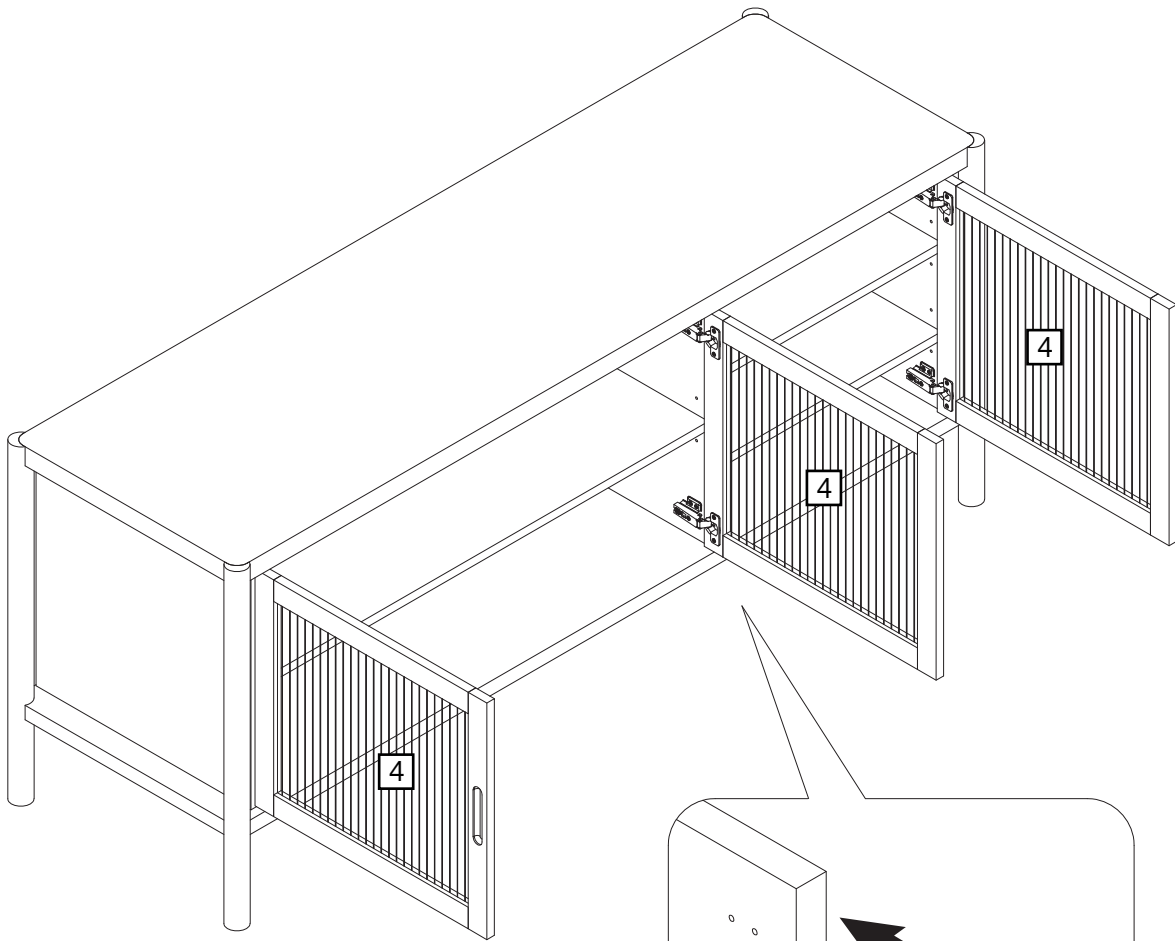


4

A



16mm Screw x12



5



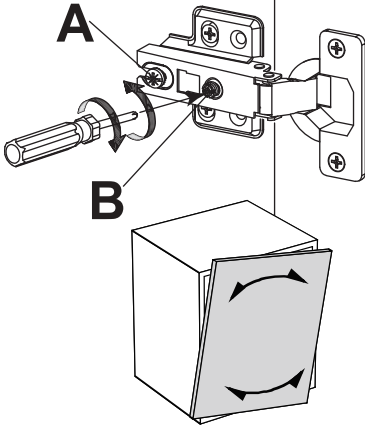
Please Note!

With the unit in its final position, the door can be adjusted to fit by moving the hinges up and down on the unit side, and adjusting the screw in the centre of each hinge to alter the angle and fit of the door in its frame.

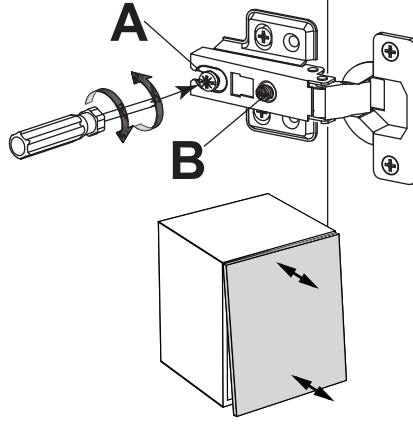
A



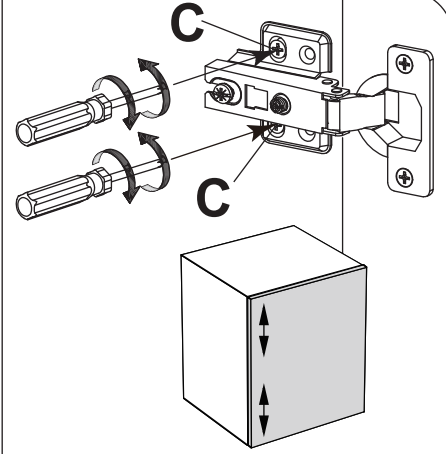
16mm Screw x12



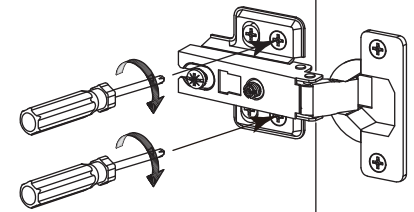
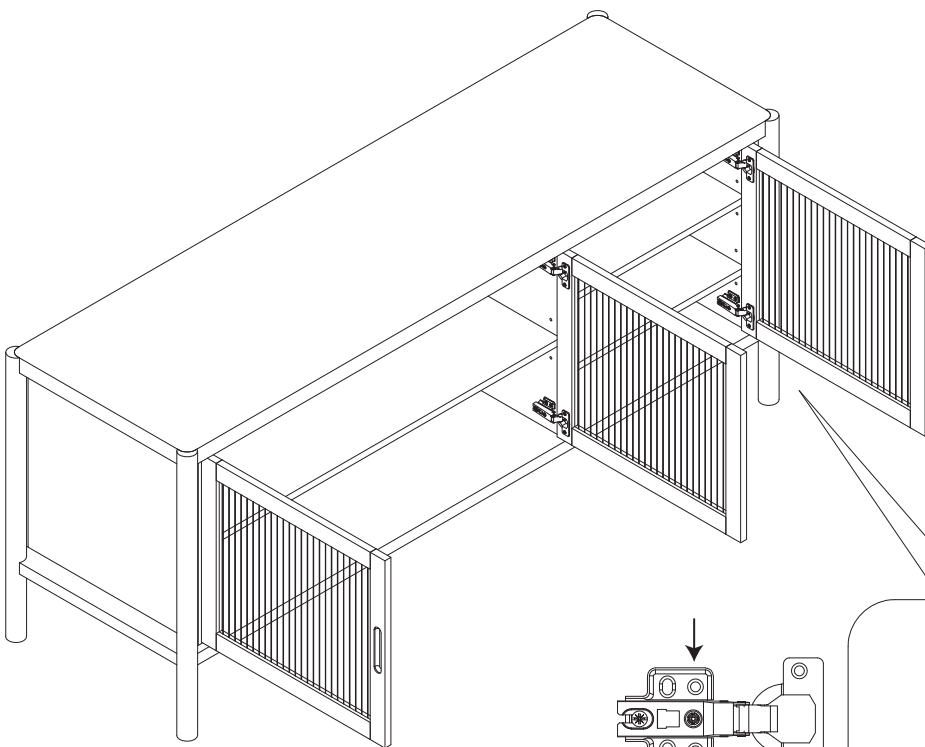
1) Side to side adjustment:
Loosen screw A, adjust gap with screw B and re-tighten screw A.



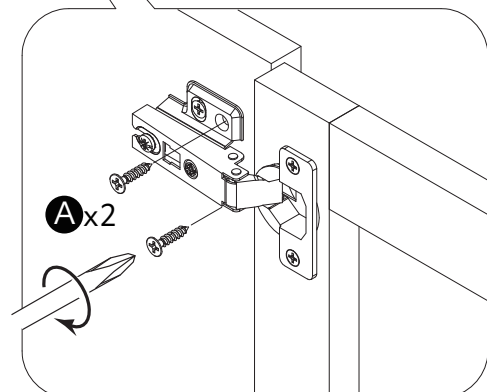
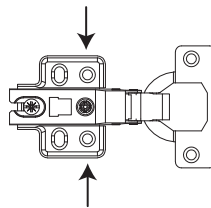
2) Depth adjustment:
Loosen screw A, push hinge arm forwards or backwards, re-tighten screw A and secure screw B with a 1/4 turn clockwise.



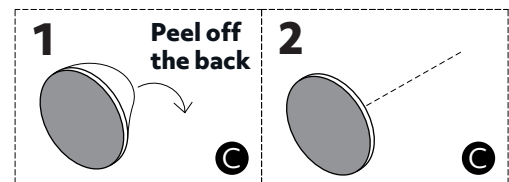
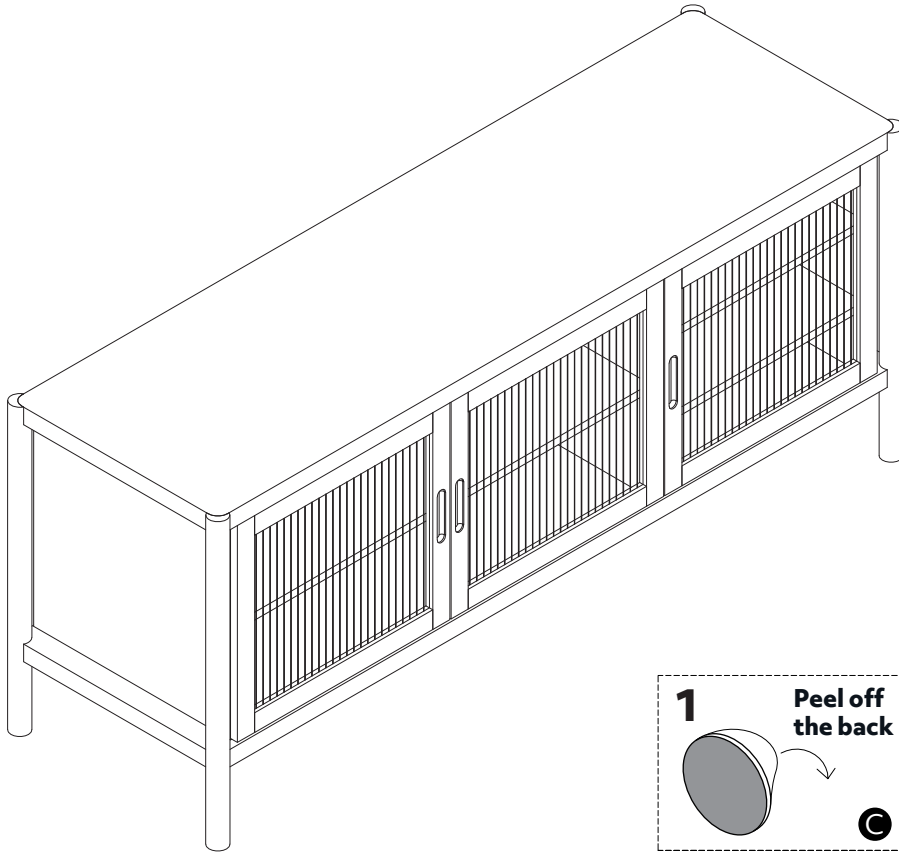
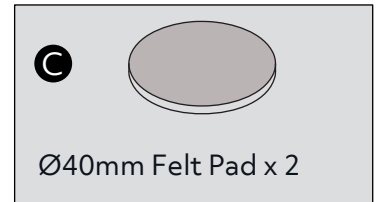
3) Height adjustment:
Loosen screw C, adjust door height and re-tighten screw C.



4) Fixed the left two holes



6



Warning!

If necessary the sideboard can be levelled up on uneven floors using the 2 extra felt pads supplied.

Assembly is complete.