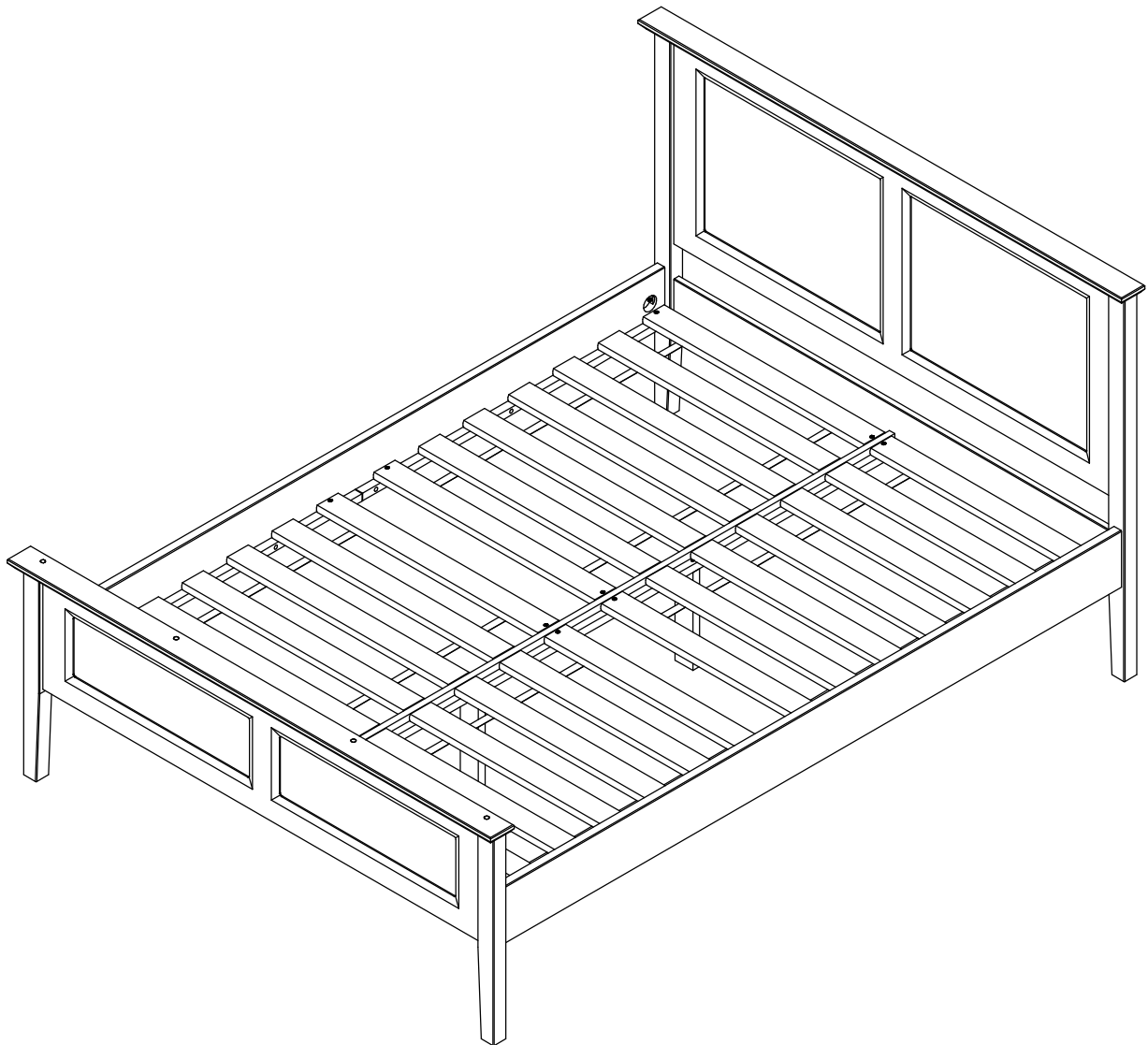


Kingham


 habitat




Spare Parts

 www.argos-support.co.uk

 Help@ClickSpares.co.uk

 0370 112 1928

Customer Support

 0345 640 2020



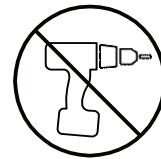
Safety and Care Advice

Product Details Dark Blue: 337 / 5385
Ivory: 470 / 1109

IMPORTANT, RETAIN THESE INSTRUCTIONS FOR FUTURE REFERENCE: READ CAREFULLY.

- Keep children and animals away from the work area, small parts could choke if swallowed.
- Make sure you have enough space to layout the parts before starting.
- This product has been constructed to be used in the domestic environment only and not for commercial purposes.

- Assemble the item as close to its final position (in the same room) as possible.
- Assemble on a soft level surface to avoid damaging the unit or your floor.



- We do not recommend the use of power drill/drivers for inserting screws as this could damage the unit. Only use hand screwdrivers.
- Parts of the assembly will be easier with 2 people.
- Dispose of all packaging carefully and responsibly.

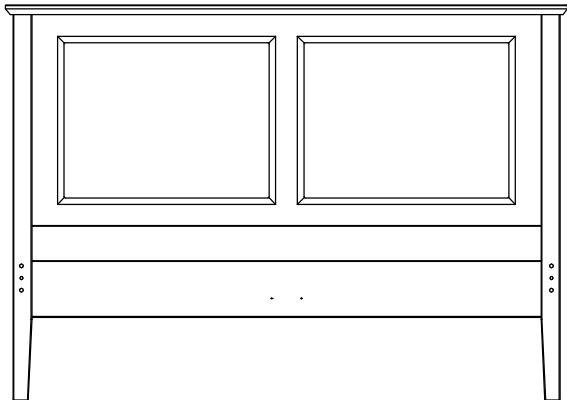
Care and maintenance

- Use a dry cloth to clean the product, furniture polish is not recommended.
- From time to time check that there are no loose screws, nuts or bolts. If there are please re-tighten.
- This product should not be discarded with household waste. Take to your local authority waste disposal centre.

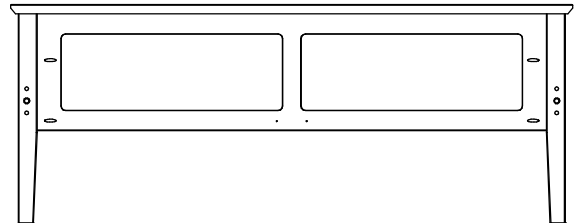
Additional Guidance

- Assemble all parts and bolts loosely during assembly, only once the product is complete should you fully tighten the bolts.
- Regularly check and ensure that all bolts and fittings are tightened properly.
- This product is compliant EN 1725.

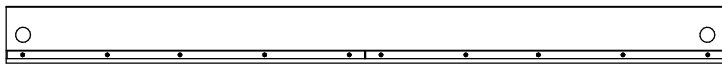
Panels



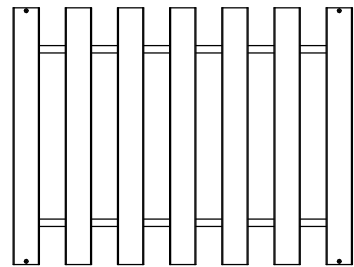
1 Headboard
(1487 x 1047 mm)



2 Footboard
(1487 x 580 mm)



3 Side rail
(1900 x 150mm) **2x**



4 Set of slats
(897 x 679mm) **4x**



5 Center Bar
(1920 x 55mm)



6 Center Leg
(261 x 55mm) **2x**

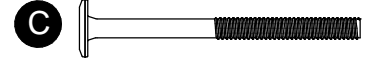
Fittings



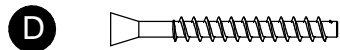
A
10X60 Wooden Dowel x 08
10006



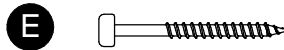
B
5/16X70 Headless Bolt x 02
9300W



C
1/4x80 Bolt x 02
9204



D
5x50 Screw x 04



E
3,5x35 Screw x 16
9005G



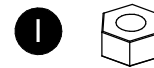
F
3,5x16 Screw x 12
9002A



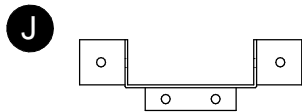
G
Elliptical Nut x 02



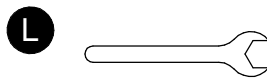
H
Half Moon Washer x 02



I
Hex Nut x 02

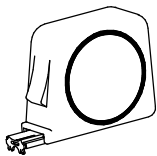


J
Metal Bracket x 02



L
Wrench

Tools required



Ruler / tape
measure

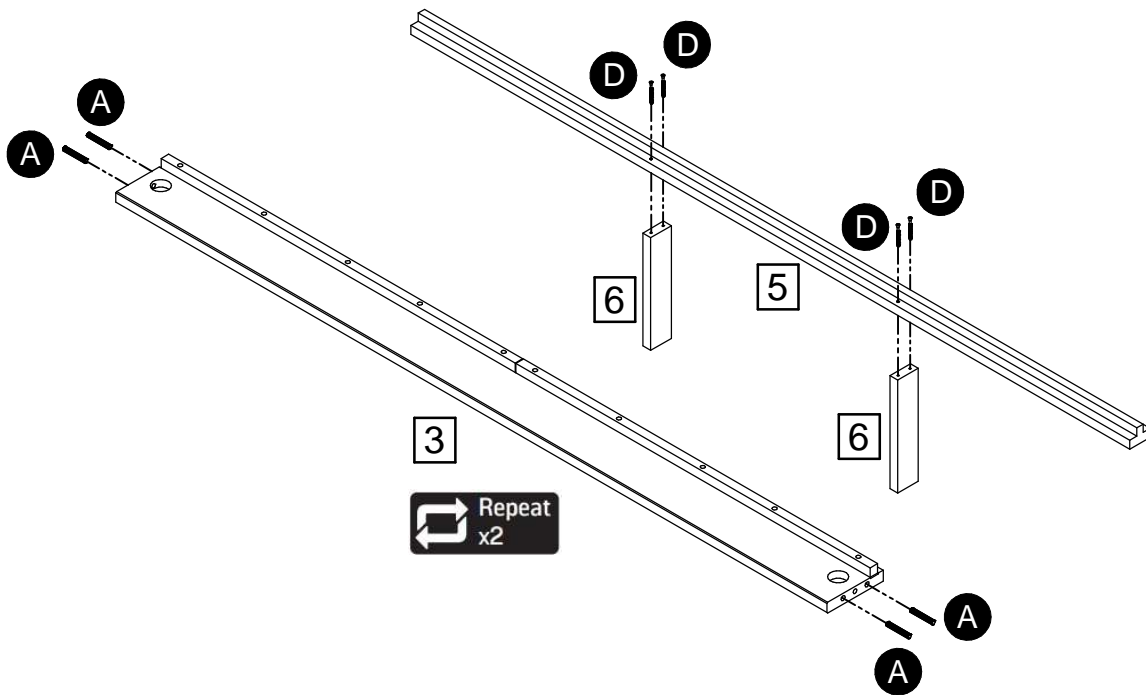
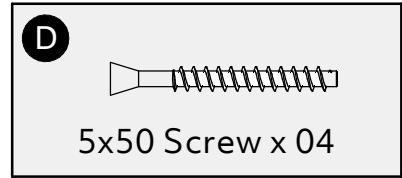
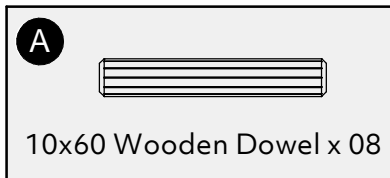
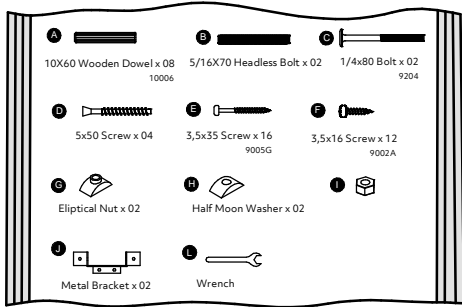


Phillips screwdriver
(small & medium)

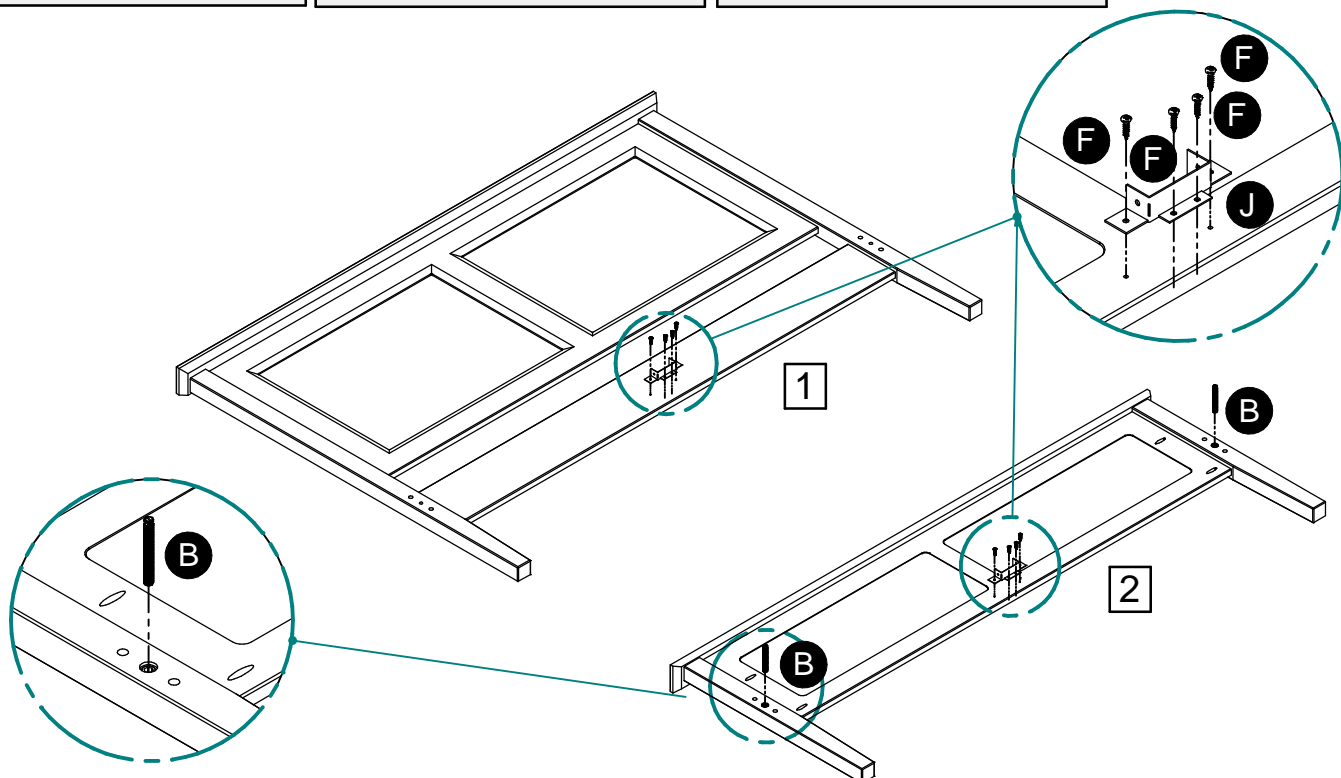
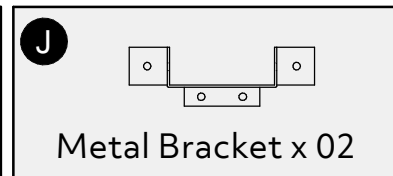
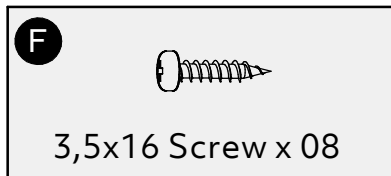
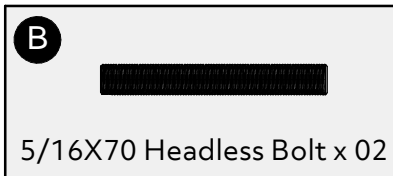


Small hammer

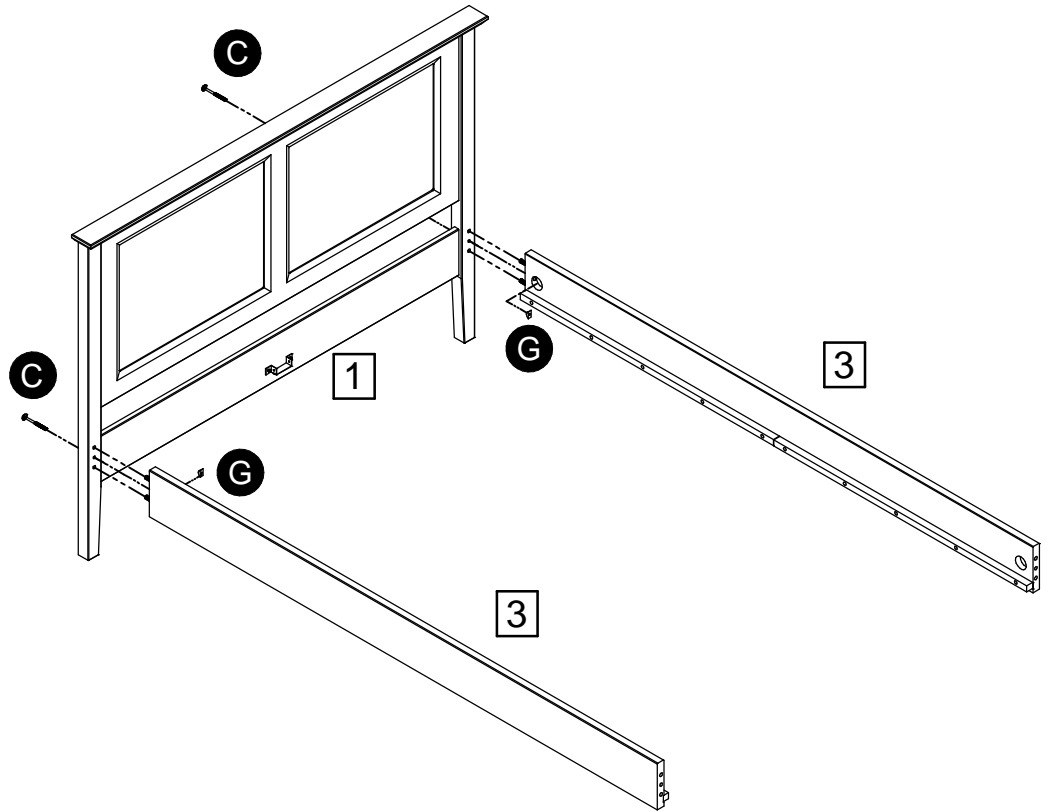
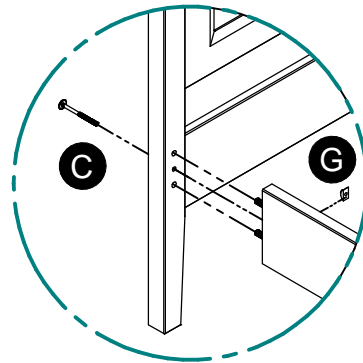
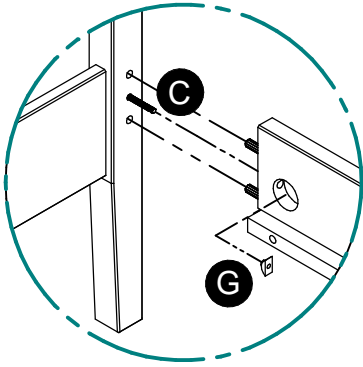
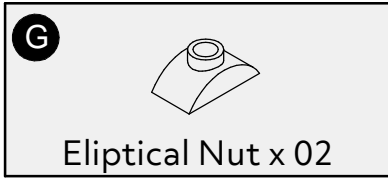
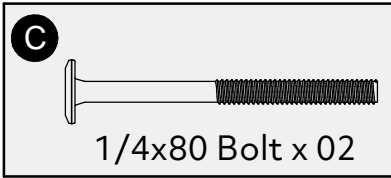
1



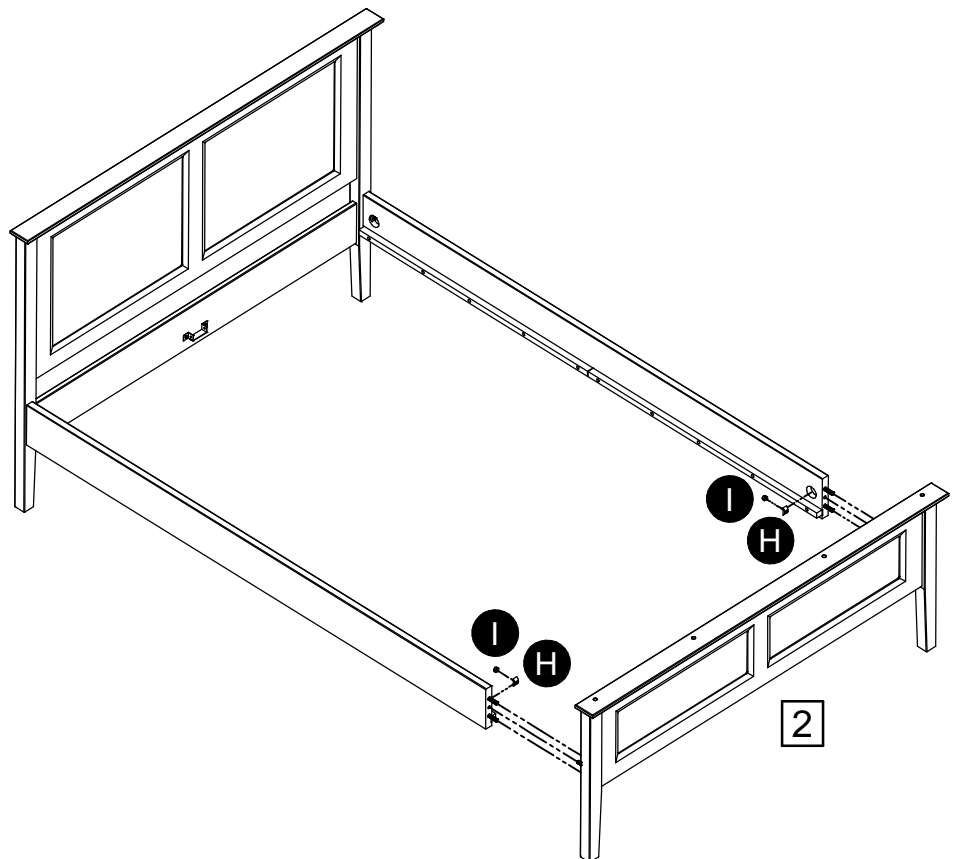
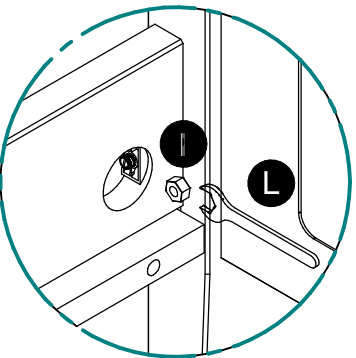
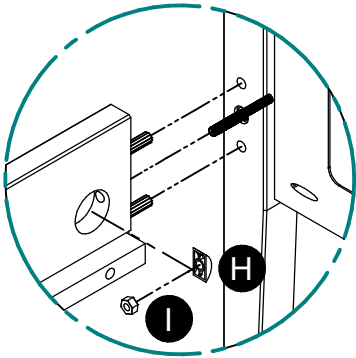
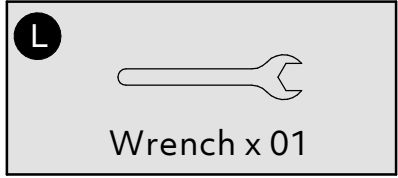
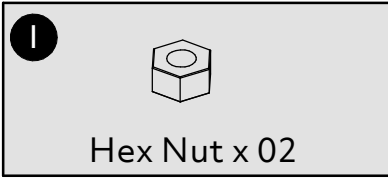
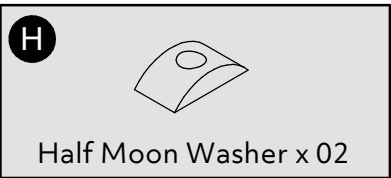
2



3



4

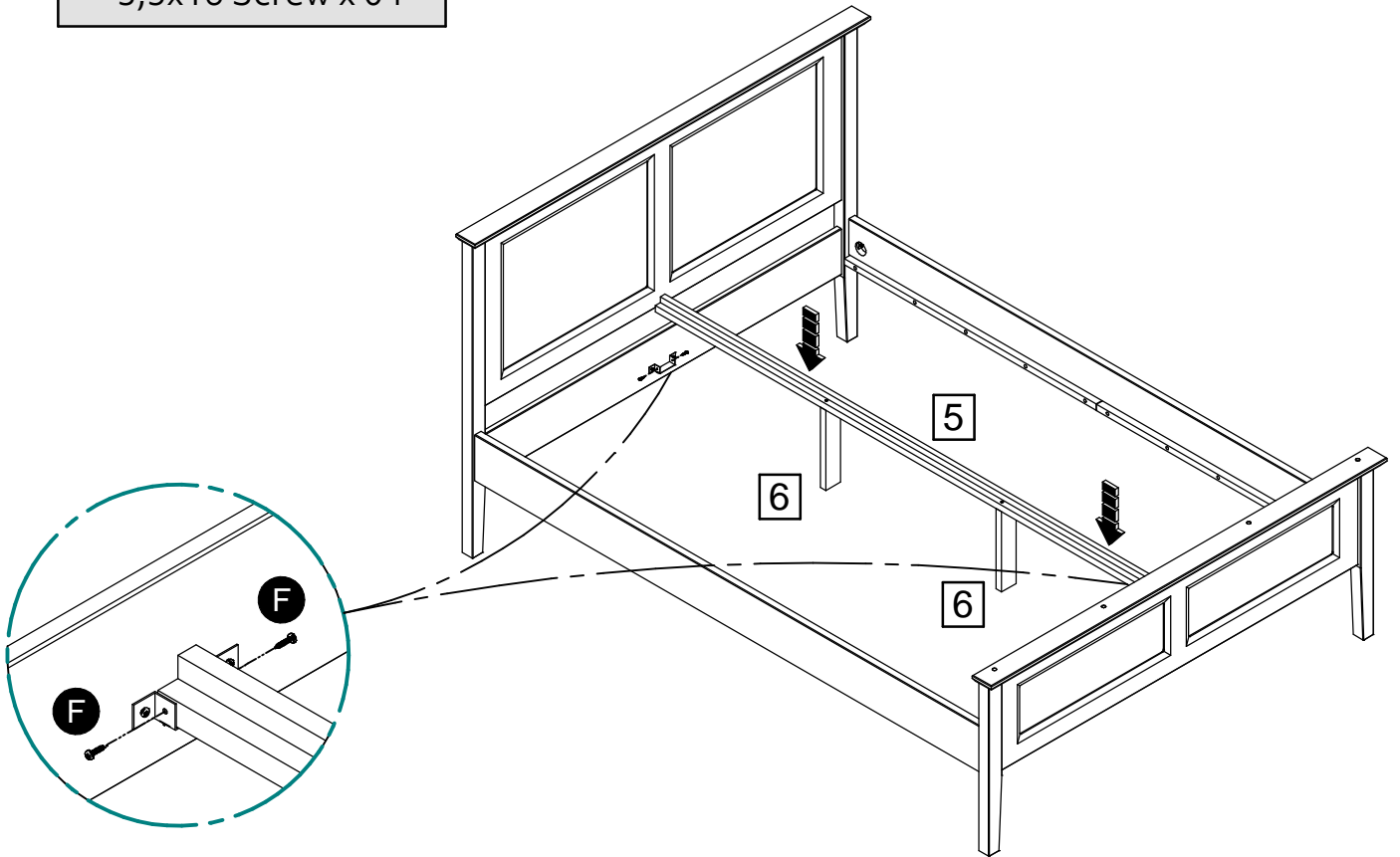


5

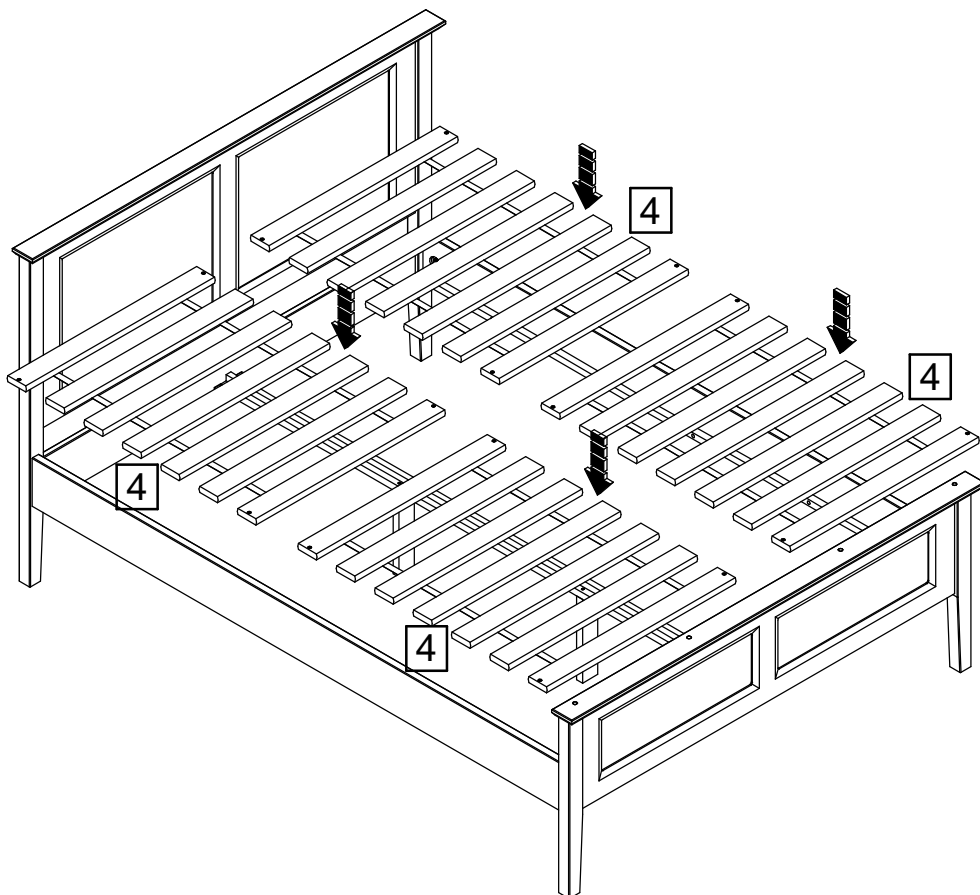
F



3,5x16 Screw x 04

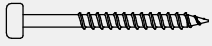


6



7

F



3,5x35 Screw x 16

