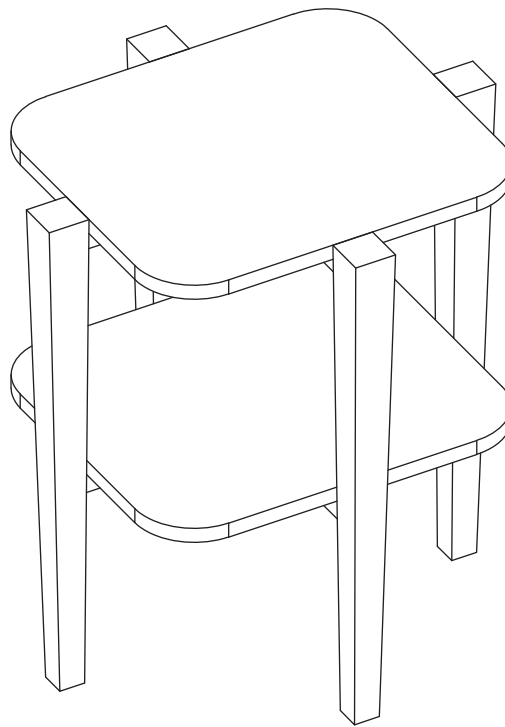


# Lohko

## Side Table



### Spare Parts

 [www.argos-support.co.uk](http://www.argos-support.co.uk)

 [Help@ClickSpares.co.uk](mailto:Help@ClickSpares.co.uk)

 0370 112 1928

### Customer Support

 0345 640 2020



# Safety and Care Advice

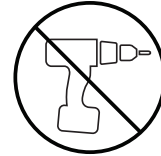
---

## Product Details

Scion Lohko Side Table / 4543422

## IMPORTANT, RETAIN FOR FUTURE REFERENCE: READ CAREFULLY.

- Keep children and animals away from the work area, small parts could choke if swallowed.
- Assemble the item as close to its final position (in the same room) as possible.
- Assemble on a soft level surface to avoid damaging the unit or your floor.
- We do not recommend the use of power drill/drivers for inserting screws as this could damage the unit. Only use hand screwdrivers.
- Parts of the assembly will be easier with 2 people.
- Dispose of all packaging carefully and responsibly.



## Care and maintenance

---

- Only clean using a damp cloth and mild detergent. Do not use abrasive cleaners.
- From time to time check that there are no loose screws, nuts or bolts. If there are please re-tighten.
- This product should not be discarded with household waste. Take to your local authority waste disposal centre.
- Use a dry cloth to clean the product, furniture polish is not recommended.

## Additional Guidance

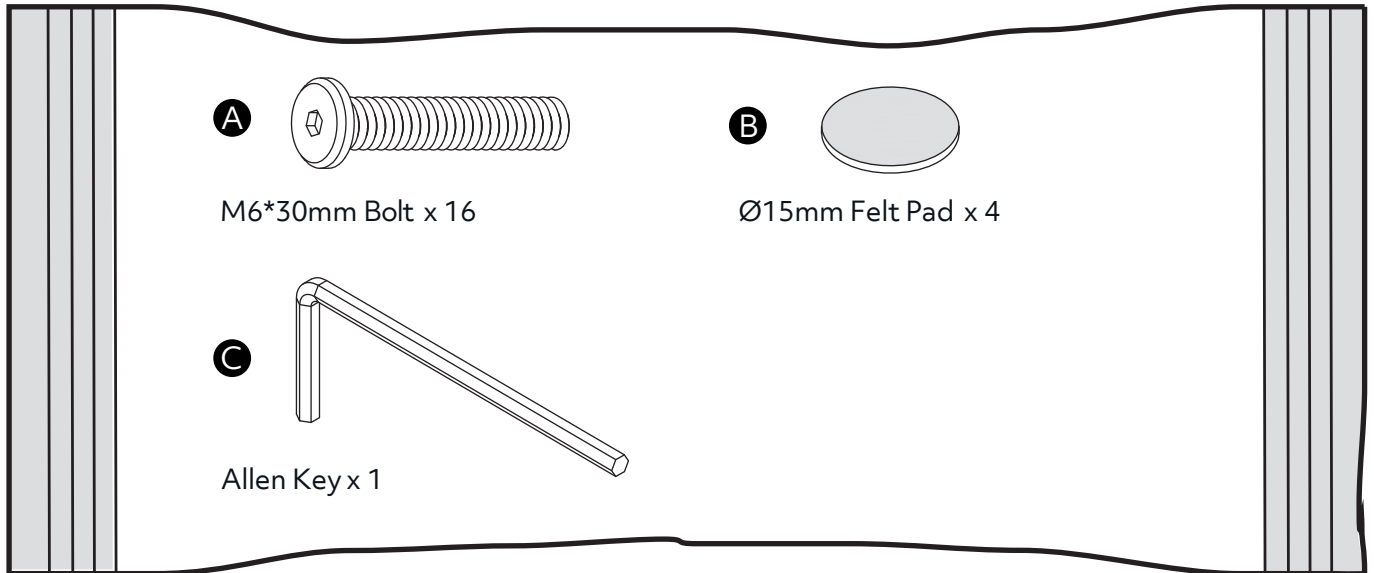
---

- Assemble all parts and bolts loosely during assembly, only once the product is complete should you fully tighten the bolts.
- Regularly check and ensure that all bolts and fittings are tightened properly.
- Maximum loading weight 25kg
- This product is compliant EN12521

# Fittings (Shown to scale)

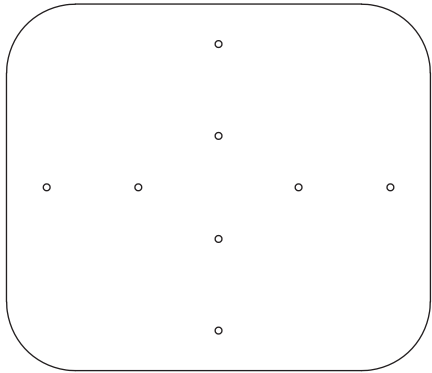
---

## Bag 1

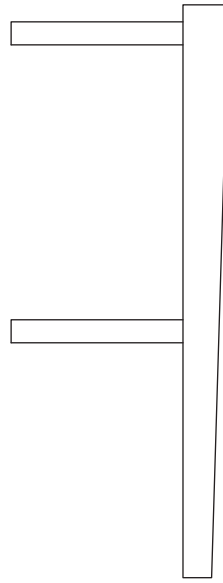


# Panels

---

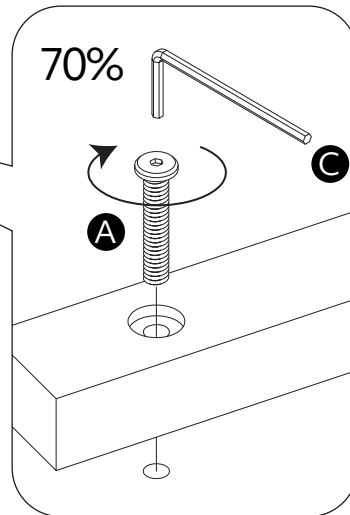
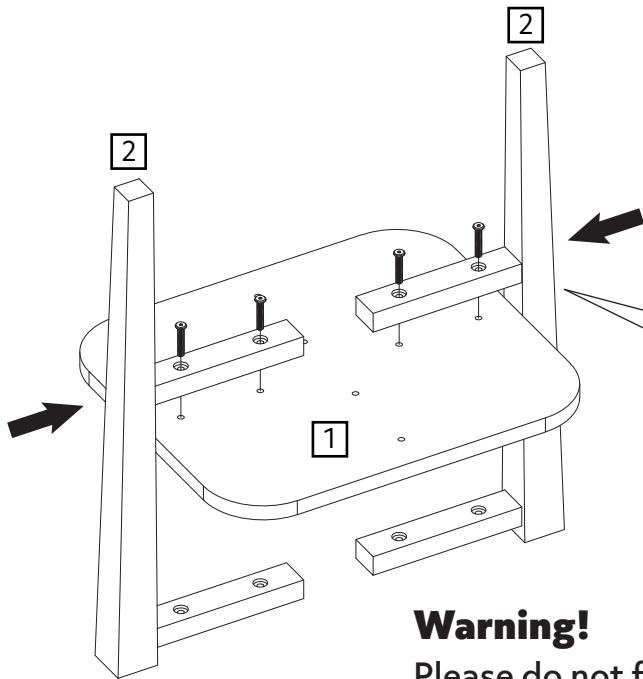
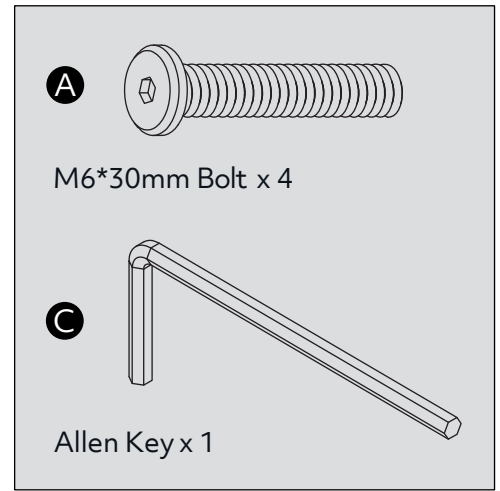
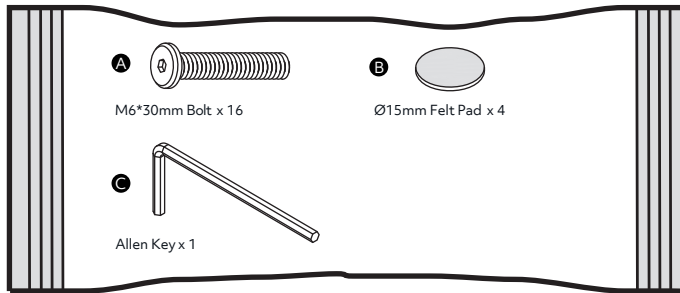


**1** Panel x2  
(370 x 320mm)



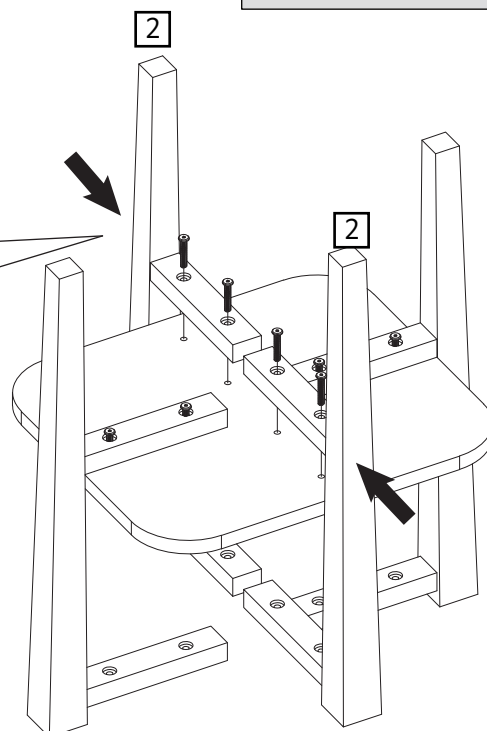
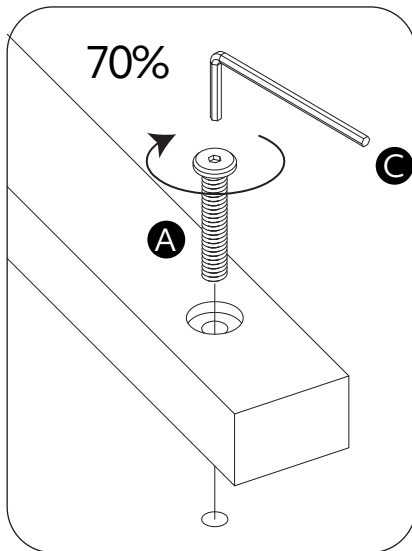
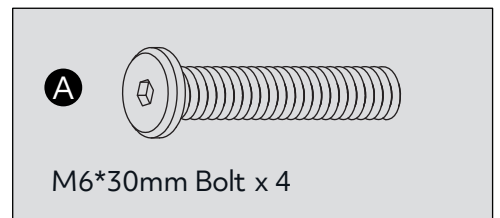
**2** Leg x4  
(500x 190mm)

# 1

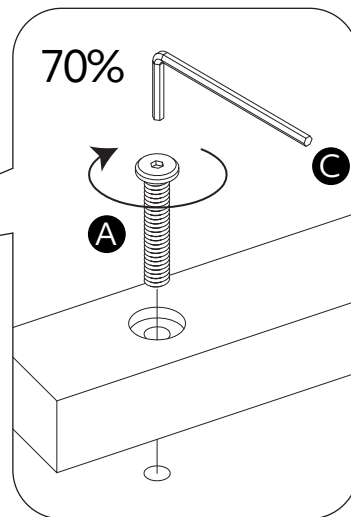
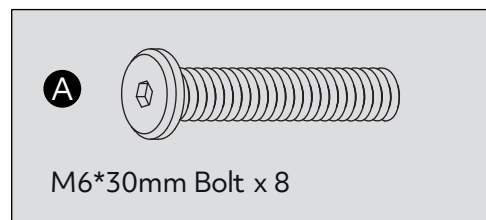
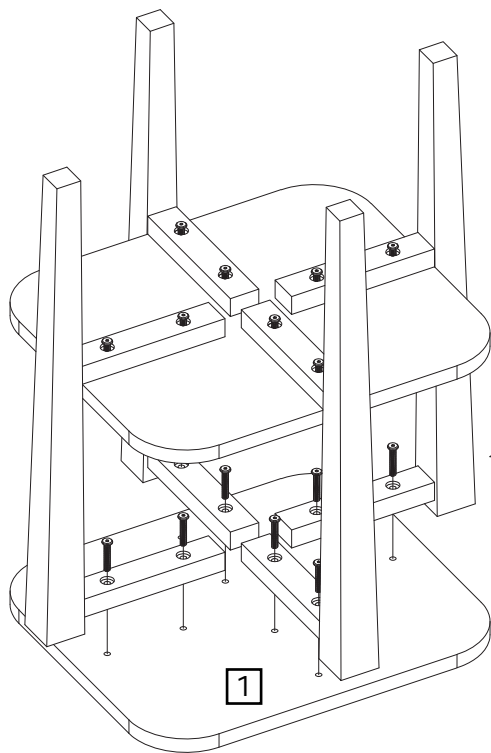


**Warning!**  
Please do not fully tighten  
the bolts in the step.

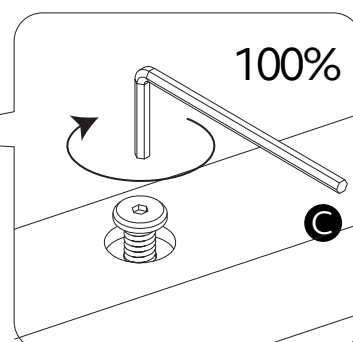
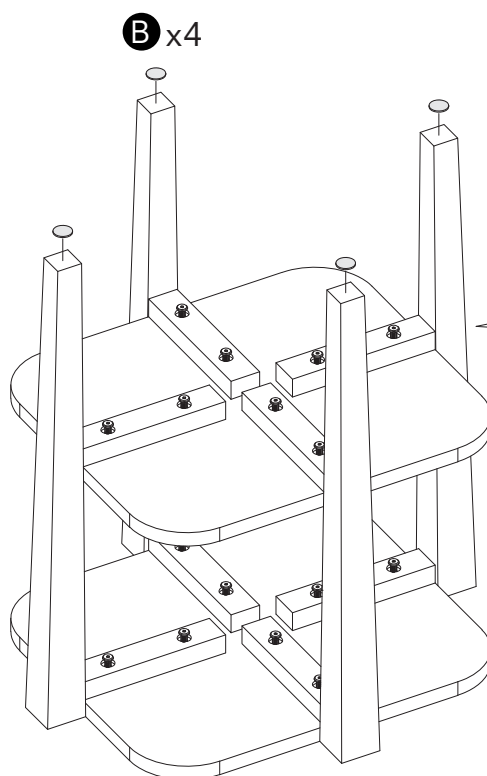
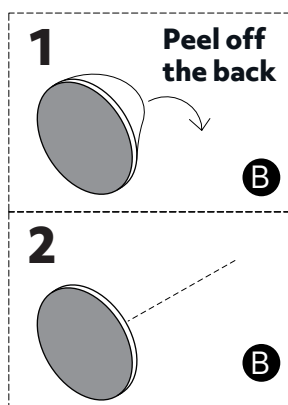
# 2



# 3

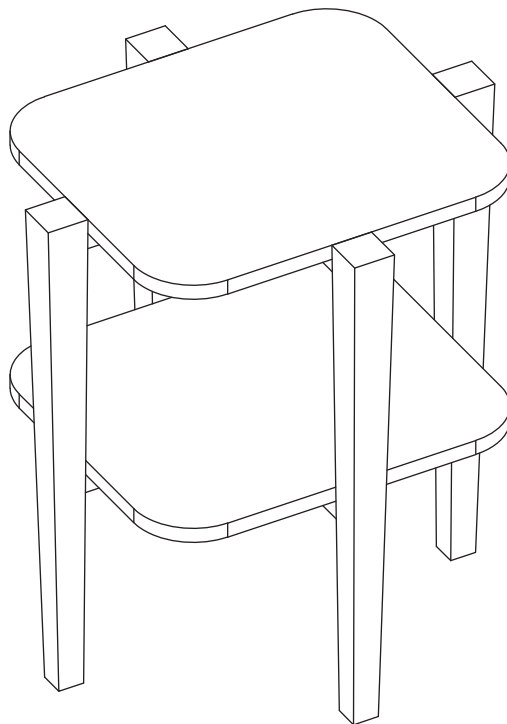


# 4



**Warning!**  
Fully tighten all the bolts .

# 3



Assembly is complete.