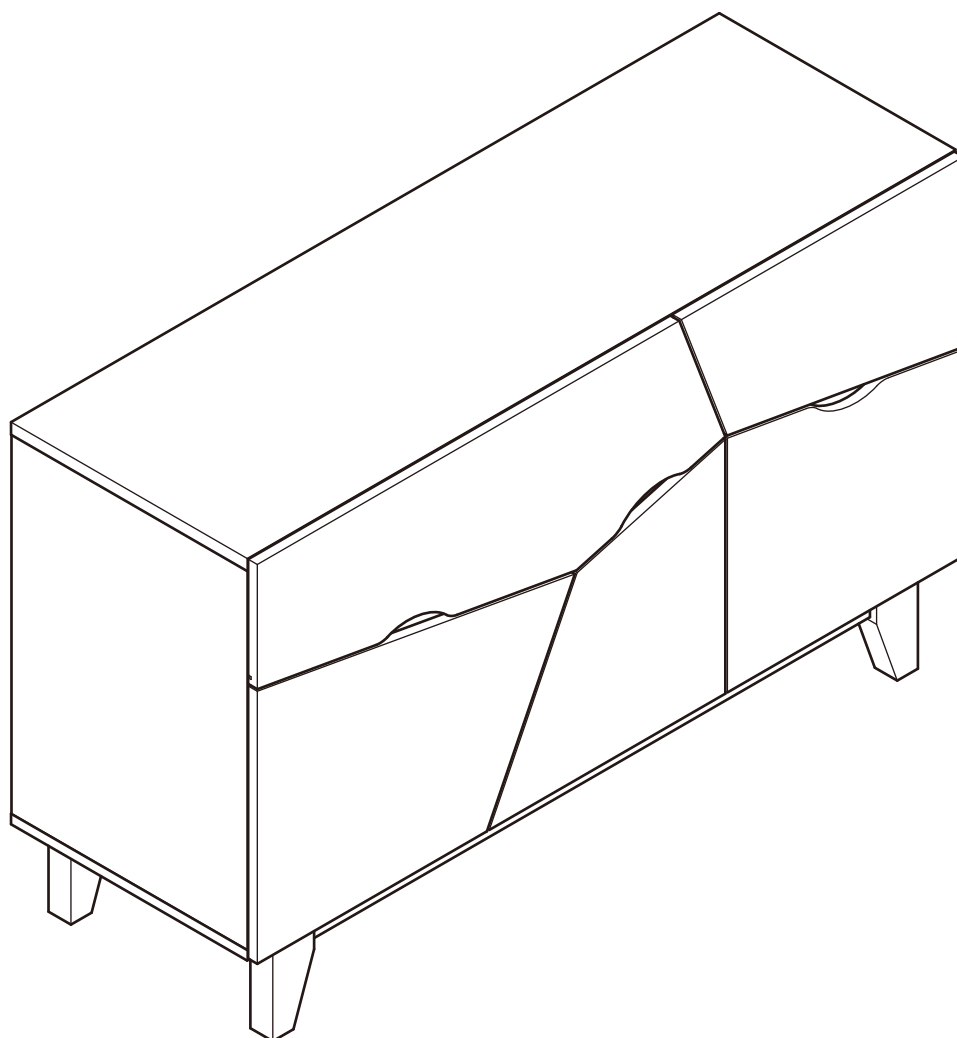


# Multicoloured Sideboard

Assembly Instructions - Please keep for future reference

453/4785



## Dimensions

Width - 120cm

Depth - 42cm

Height - 74cm

**Important** - Please read these instructions fully before starting assembly

If you need help or have damaged or missing parts, call the **Customer Helpline:**  
**Argos = 0345 6400800**



# Safety and Care Advice

## Important – Please read these instructions fully before starting assembly

- Check you have all the components and tools listed on the following pages.
- Remove all fittings from the plastic bags and separate them into their groups.
- Keep children and animals away from the work area, small parts could choke if swallowed.
- Make sure you have enough space to layout the parts before starting.

- During assembly do not stand or put weight on the product, this could cause damage.
- Assemble the item as close to its final position (in the same room) as possible.
- Assemble on a soft level surface to avoid damaging the unit or your floor.
- Parts of the assembly will be easier with 2 people.



- To reduce the likelihood of damaging your product please ensure that your power drill is set on a low torque setting.

## Care and maintenance

- Only clean using a damp cloth and mild detergent, do not use bleach or abrasive cleaners.
- From time to time check that there are no loose screws on this unit.
- This product should not be discarded with household waste. Take to your local authority waste disposal centre.

## Handy Hints

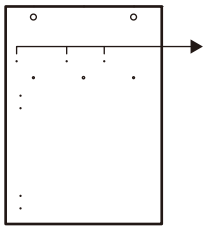
- Regularly check and ensure that all bolts and fittings are tightened properly.

**Note:** if required the next page can be cut out and used as reference throughout the assembly. Keep this page with these instructions for future reference.

# Components - Panels

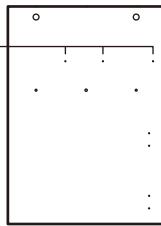
If you have damaged or missing components, call the Customer Helpline: Argos = 0345 6400800

Please check you have all the panels listed below

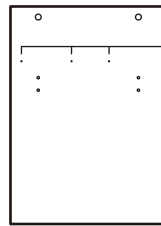


**1** Left panel  
(39.9 x 55.6cm)

Pilot holes for guidance only

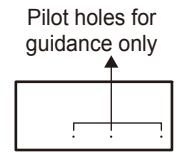


**2** Right panel  
(39.9 x 55.6cm)



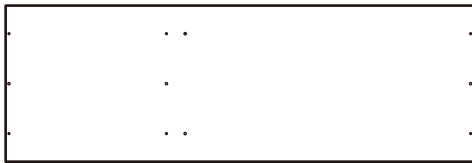
**3** Middle right panel  
(39.9 x 55.6cm)

Pilot holes for guidance only

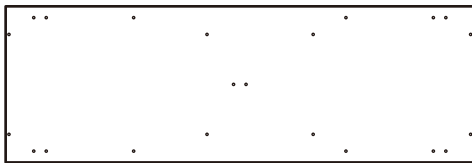


**4** Middle panel  
(39.8 x 17.4cm)

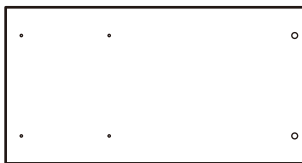
Pilot holes for guidance only



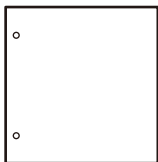
**5** Top panel (120.1 x 40cm)



**6** Bottom panel (120.1 x 40cm)



**7** Left shelf (76.4 x 39.8cm)



**8** Right shelf (38.8 x 39.8cm)



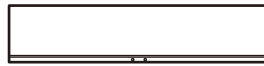
**9** Middle left panel (39.8 x 36.6cm)



**10** Large drawer front (79.4 x 28cm)



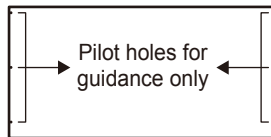
**11** Small drawer front (47.9 x 28cm)



**12** Large drawer back  
(66.6 x 14.5cm)

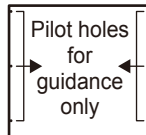


**13** Small drawer back  
(33.9 x 14.5cm)



**14** Large drawer bottom  
(69 x 33.6cm)

Pilot holes for guidance only



**15** Small drawer bottom  
(36.3 x 33.6cm)

Pilot holes for guidance only

Finished front edge



**16** Drawer left x 2  
(34 x 12.8cm)

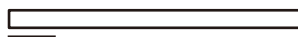
Finished front edge



**17** Drawer right x 2  
(34 x 12.8cm)



**18** Drawer support  
(32.7 x 6cm)



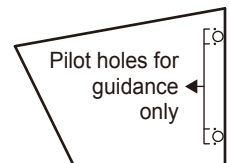
**19** Front bottom panel x 2  
(95.4 x 4.5cm)



**20** Leg x 4 (7 x 15cm)

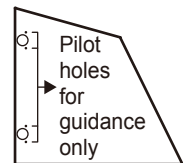


**21** Bottom support  
(7 x 15cm)



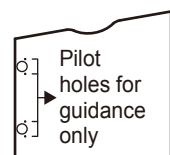
**22** Left door panel  
(53.9 x 40.1cm)

Pilot holes for guidance only



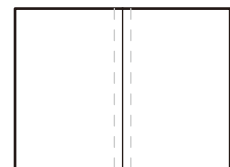
**23** Middle door panel  
(40.1 x 37.4cm)

Pilot holes for guidance only

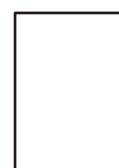


**24** Right door panel  
(40.1 x 37.4cm)

Pilot holes for guidance only



**25** Large back panel  
(78.4 x 58.6cm)










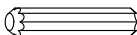
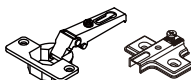
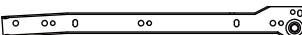
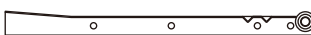
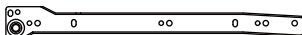

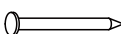

**26** Small back panel  
(41 x 58.6cm)



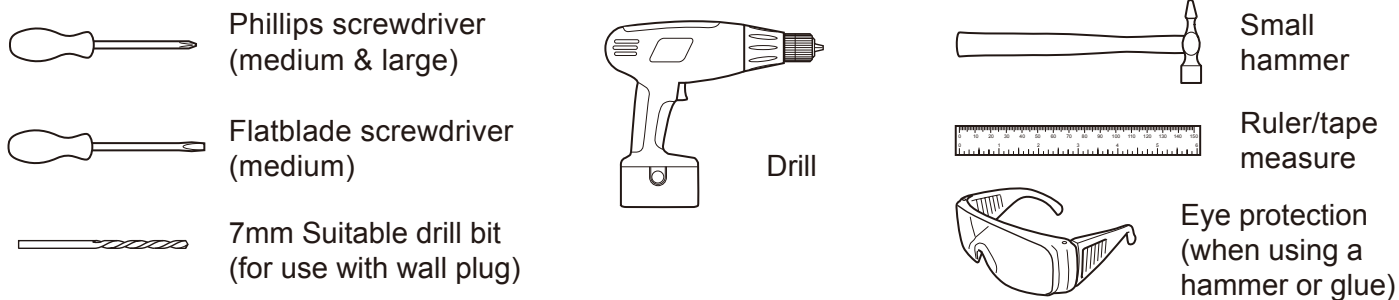
# Components - Fittings

Please check you have all the fittings listed below

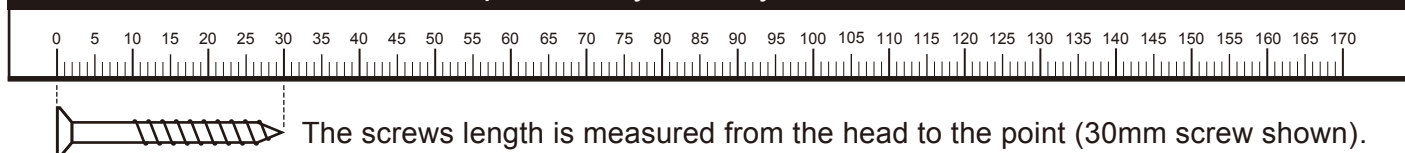
**Note:** The quantities below are the correct amount to complete the assembly. In some cases more fittings may be supplied than are required.

<b>A</b>  (This screw is included in the runners bag) 12mm Screw x 24	<b>B</b>  (This screw is included in the door hinges bag) 15mm Screw x 24	<b>C</b>  50mm Screw x 30
<b>D</b>  30mm Screw x 10	<b>E</b>  39mm Locking pin x 19	<b>F</b>  15mm Locking nut x 10
<b>G</b>  12mm Locking nut x 9	<b>H</b>  30mm Dowel x 11	<b>I</b>  Door hinge x 6
<b>J</b>  Right outside runner x 2	<b>K</b>  Right inside runner x 2	<b>L</b>  Left outside runner x 2
<b>M</b>  Left inside runner x 2	<b>N</b>  Nail x 30	<b>O</b>  Door pad x 3

## Tools required



## Ruler - Use this ruler to help correctly identify the screws



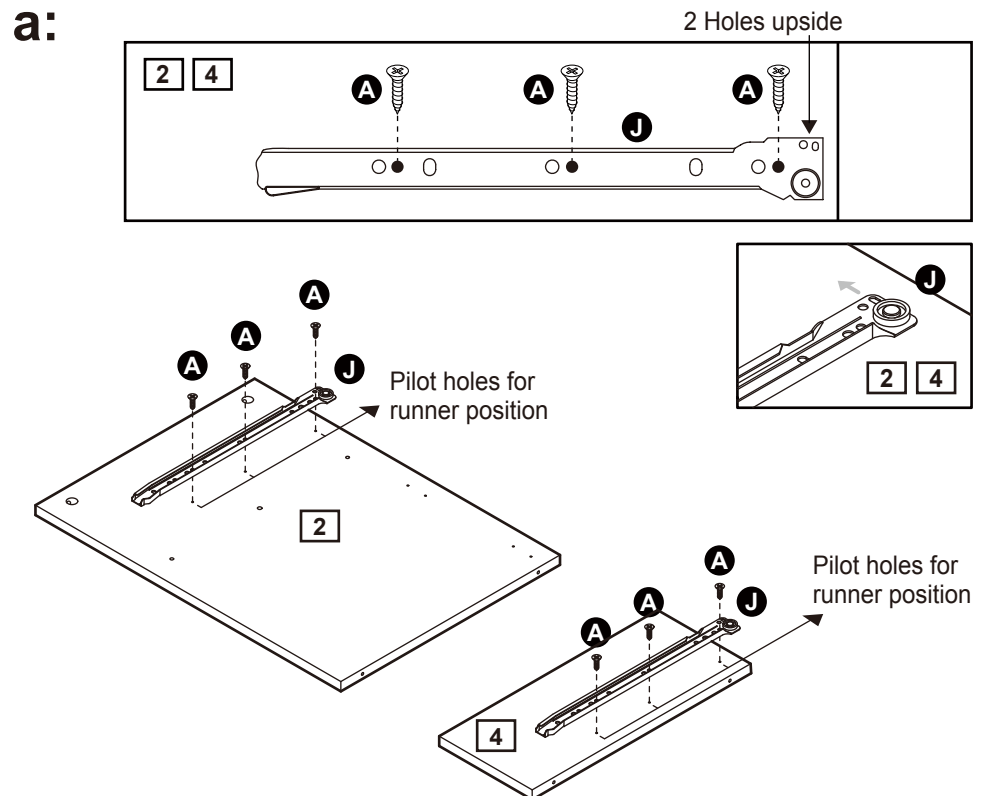
# Assembly Instructions

## Step 1

### Attaching runners and hinges

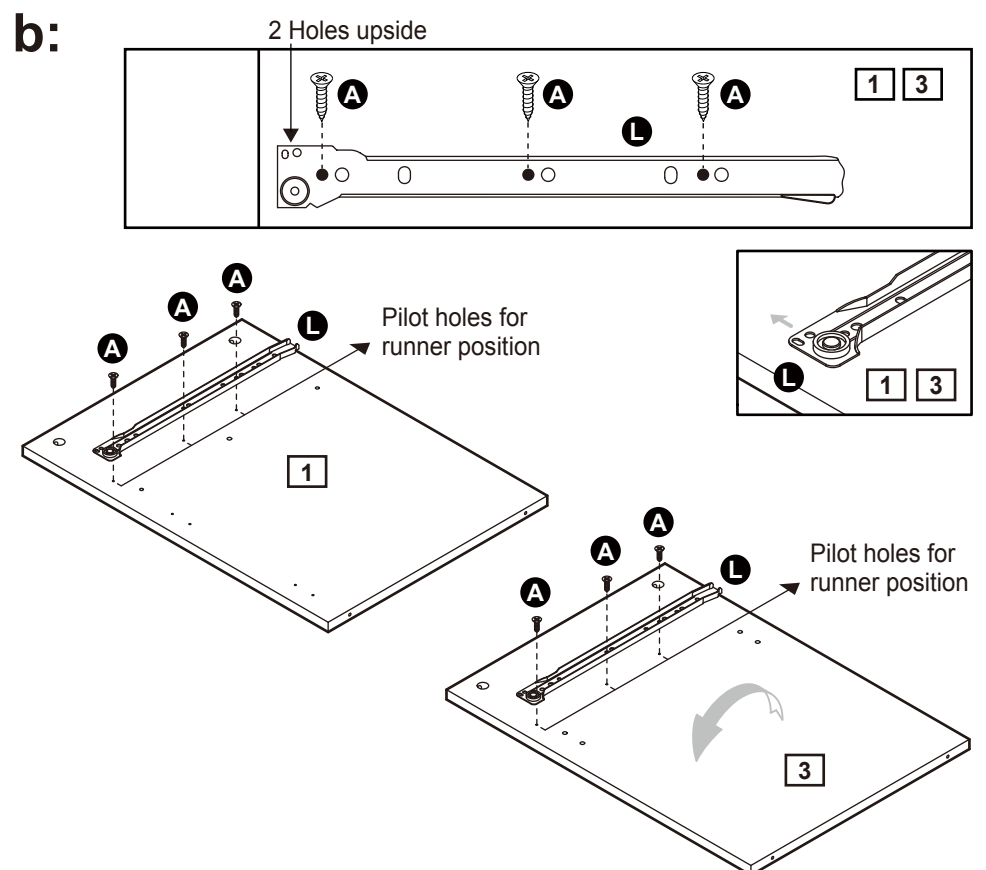
**a:** Position the Left outside runners **J** in from front edge of the Left panel **2** and Middle panel **2**.

Use Screws **A** to fix the Left outside runners **J** onto the Left panel **2** and Middle panel **4**.



**b:** Position the Right outside runners **L** in from front edge of the Right panel **1** and Middle right panel **3**.

Use Screws **A** to fix the Right outside runners **L** onto the Right panel **1** and Middle right panel **3**.



Continued on next page.

**Note:** Repeat runner fixing on reverse side.

# Assembly Instructions

## Step 1 - continued

**c:** Screw Locking pins **E** into the Left panel **2**.

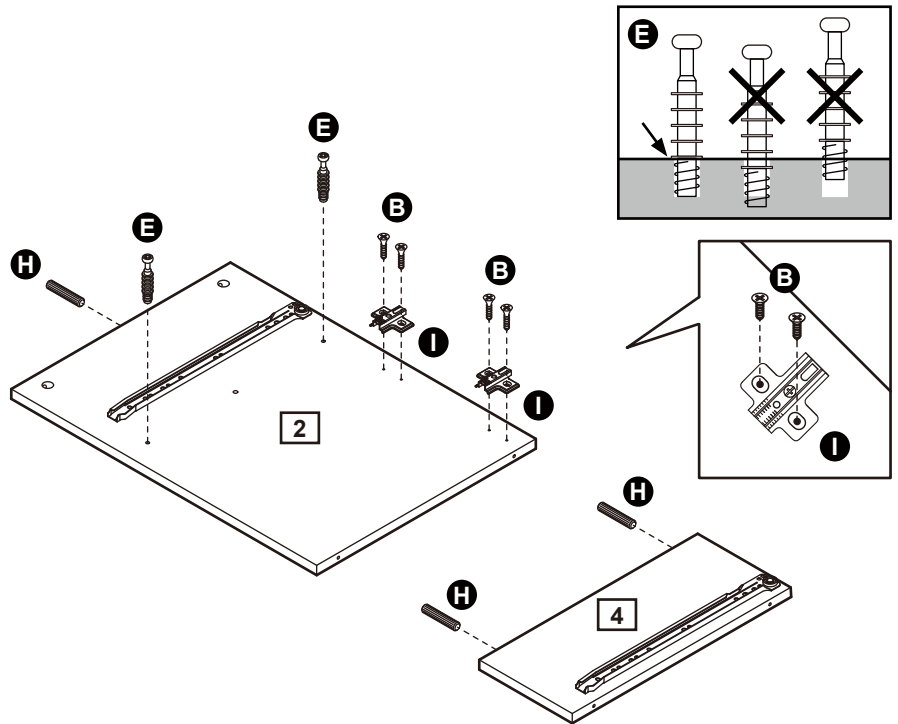
**Note:** Insert locking pins as far as shown.

**Do not over tighten.**

Use Screws **B** to fix the Door hinges **I** 'back plates' onto the Left panel **2**.

Insert Dowels **H** into the Left panel **2** and Middle panel **4**.

**c:**



**d:** Screw Locking pins **E** into the Right panel **1**.

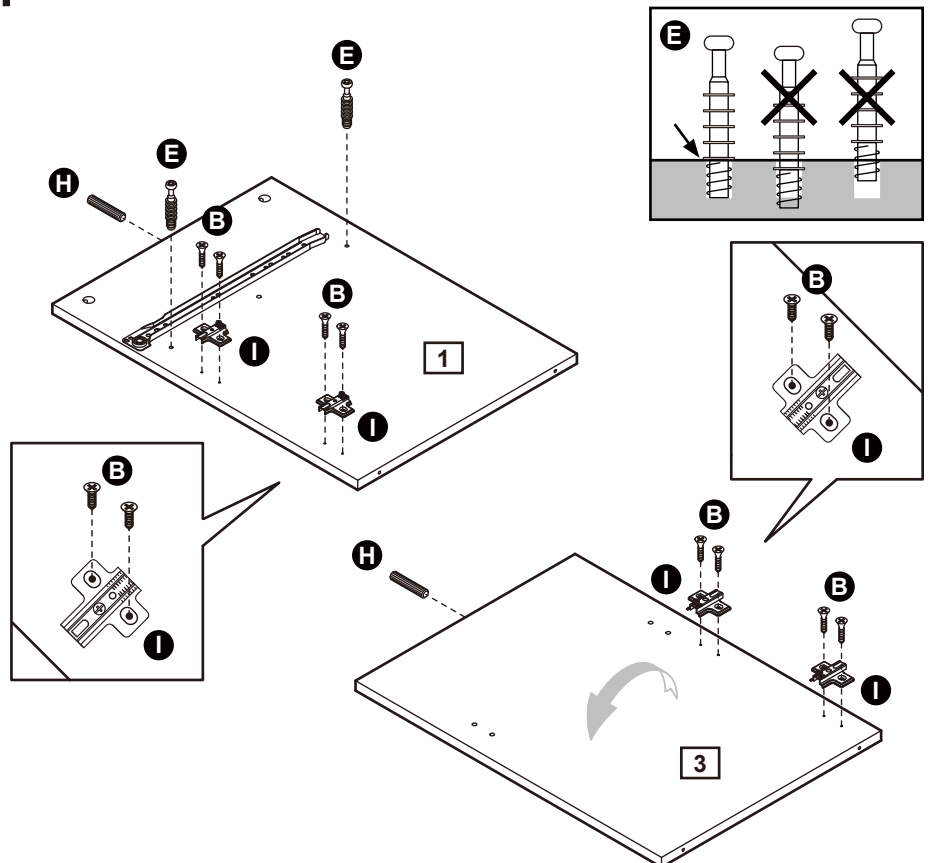
**Note:** Insert locking pins as far as shown.

**Do not over tighten.**

Use Screws **B** to fix the Door hinges **I** 'back plates' onto the Right panel **1** and Middle right panel **3**.

Insert Dowels **H** into the Right panel **1** and Middle right panel **3**.

**d:**



**Note:** Repeat door hinge fixing on reverse side.

# Assembly Instructions

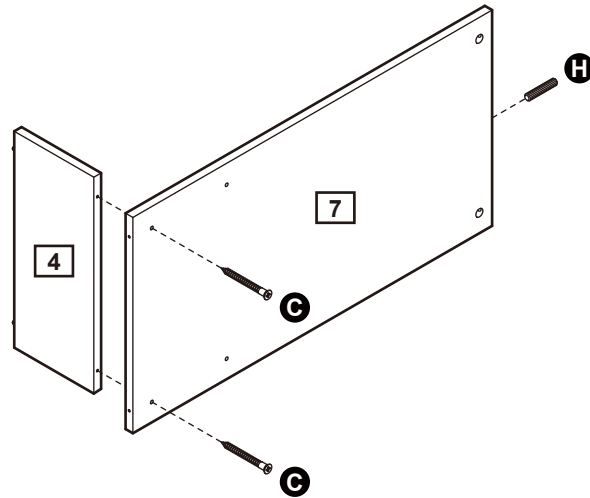
## Step 2

### Attaching the middle shelf panel

**a:** Use Screws **C** to fix Left shelf **7** onto the Middle panel **4**.

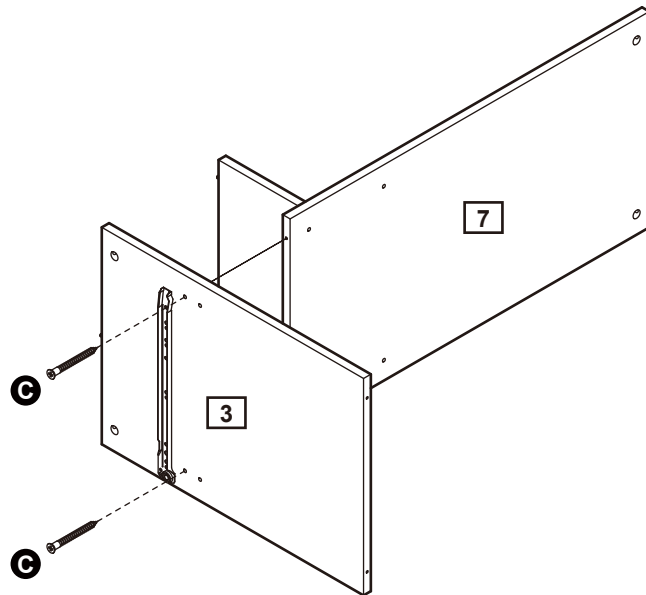
Insert Dowels **H** into the Left shelf **7**.

**a:**



**b:** Use Screws **C** to fix Middle right panel **3** onto the Left shelf **7**.

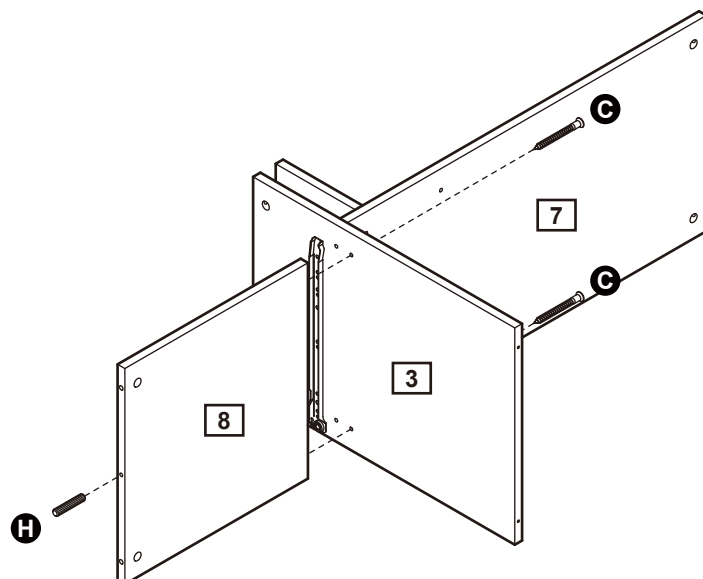
**b:**



**c:** Use Screws **C** to fix Right shelf **8** onto the Middle right panel **3**.

Insert Dowels **H** into the Right shelf **8**.

**c:**



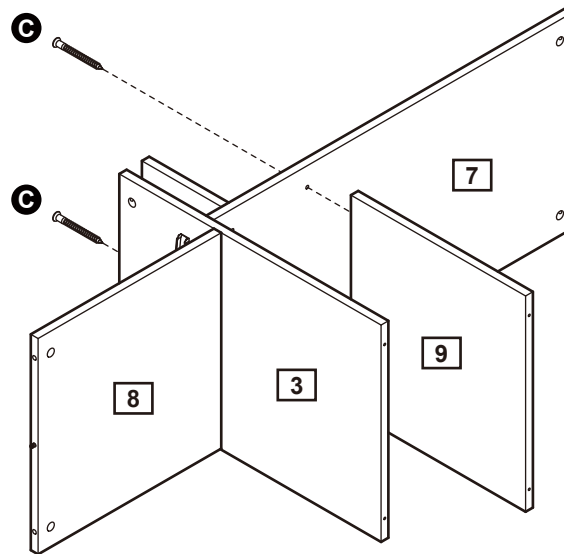
Continued on next page.

# Assembly Instructions

## Step 2 - continued

**d:** Use Screws **C** to fix Middle left panel **9** onto the Left shelf **7**.

**d:**



## Step 3

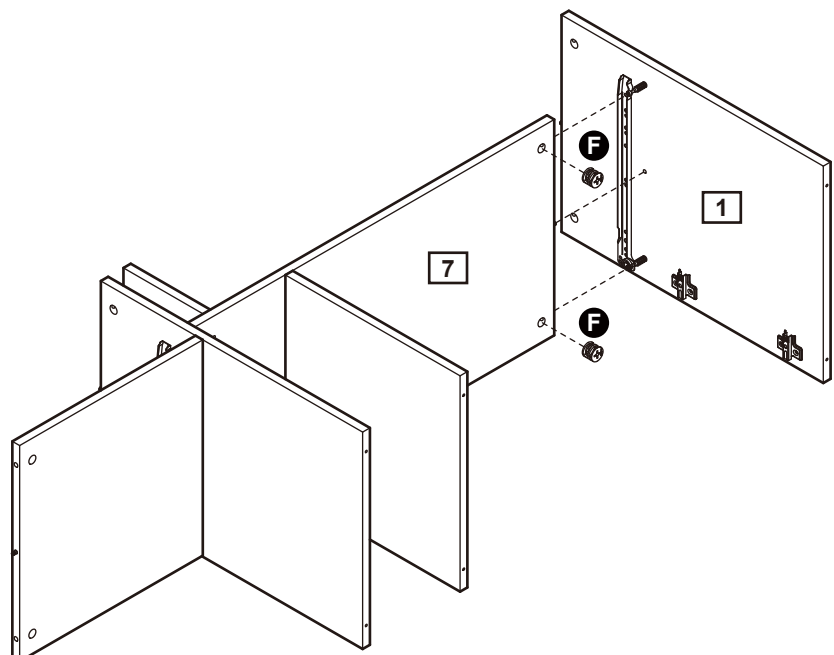
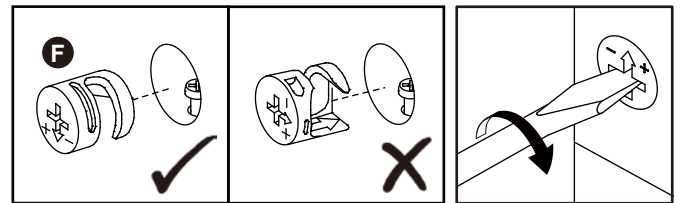
### Attaching the left and right panel

**a:** Carefully locate the Right panel **1** onto the Left shelf **7**.

Insert 2 Locking nuts **F** into the Left shelf **7**.

Use a screwdriver to turn Locking nuts **F** clockwise to lock.

**a:**



Continued on next page.



# Assembly Instructions

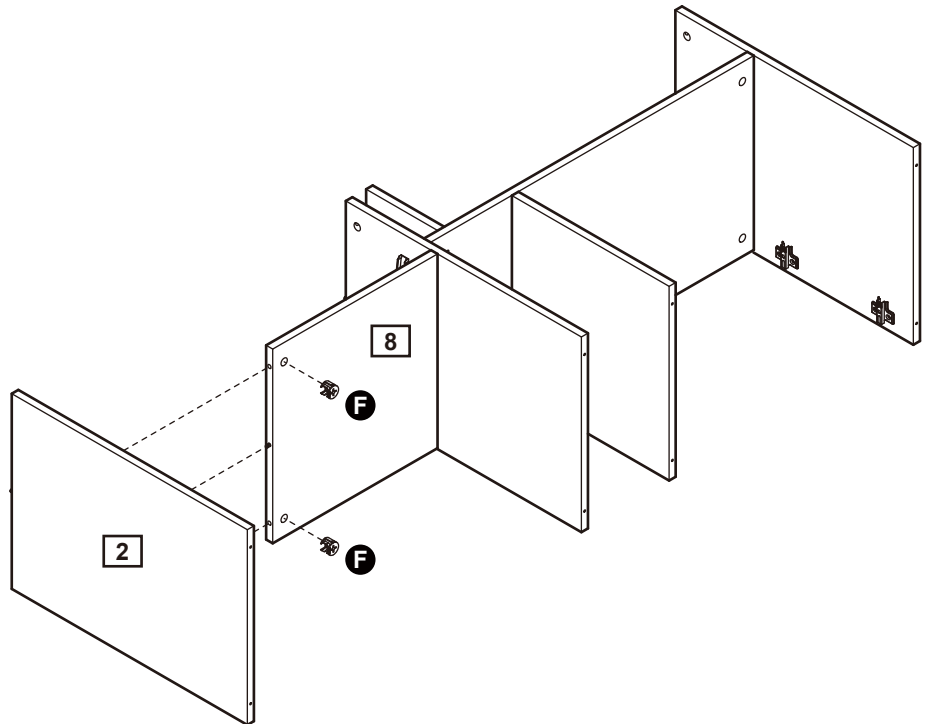
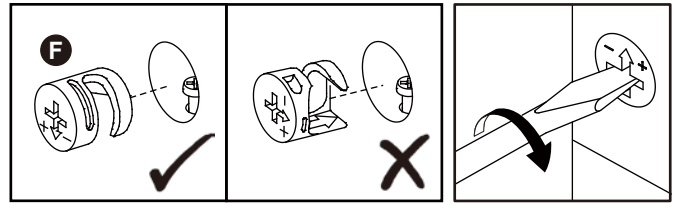
## Step 3 - continued

**b:** Carefully locate the Left panel **2** onto the Right shelf **8**.

Insert 2 Locking nuts **F** into the Right shelf **8**.

Use a screwdriver to turn Locking nuts **F** clockwise to lock.

**b:**



## Step 4

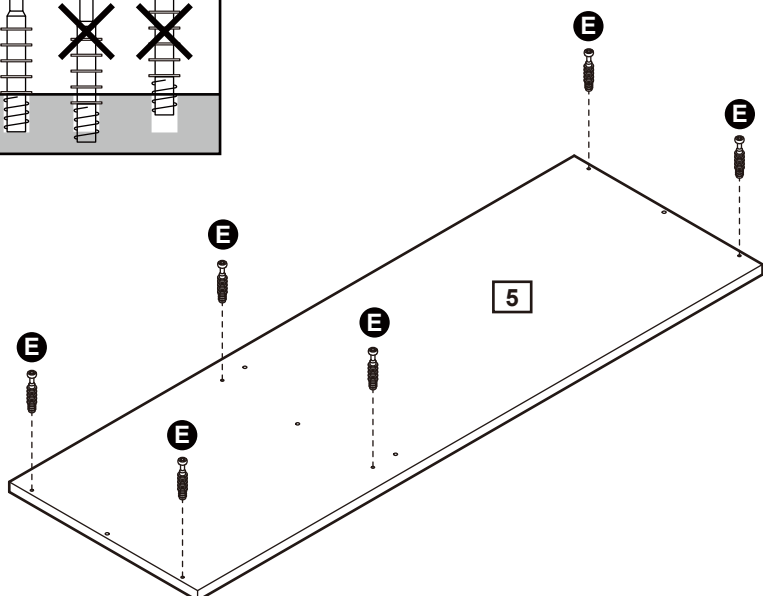
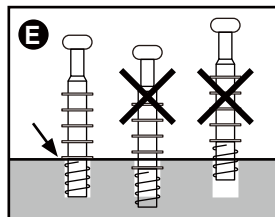
### Attaching top panel

**a:** Screw Locking pins **E** into the Top panel **5**.

**Note:** Insert locking pins as far as shown.

**Do not over tighten.**

**a:**



Continued on next page.

# Assembly Instructions

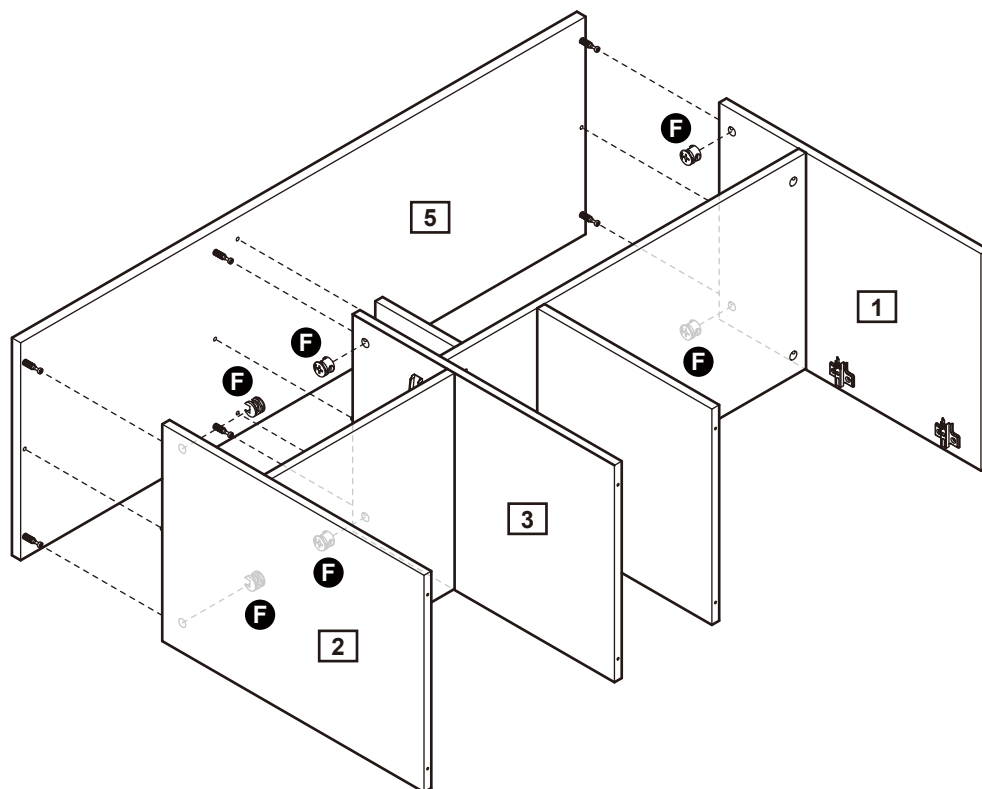
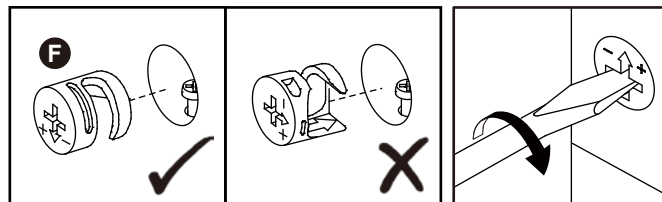
## Step 4 - continued

**b:** Carefully locate the Top panel **5** onto the unit.

Insert 6 Locking nuts **F** into the unit.

Use a screwdriver to turn Locking nuts **F** clockwise to lock.

**b:**

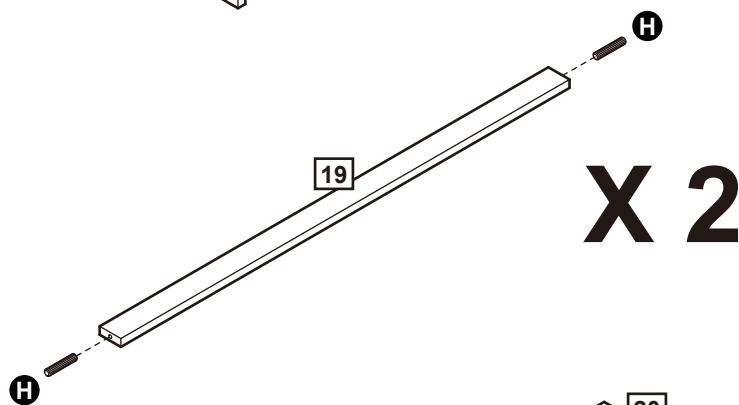


## Step 5

**Attaching bottom panel**

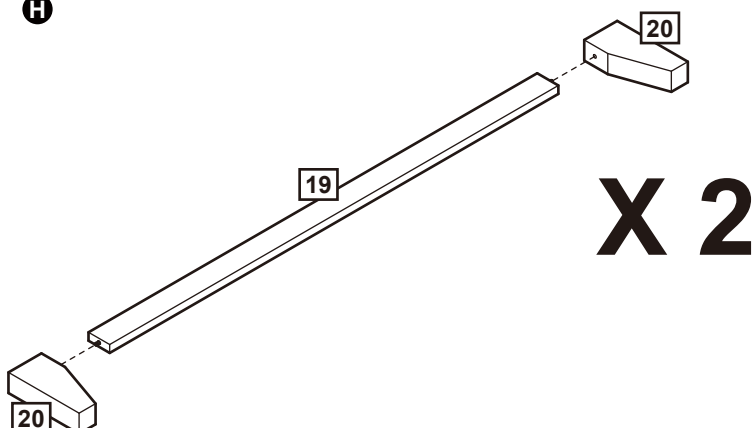
**a:** Insert Dowels **H** into the Front bottom panel **19**.

**a:**



**b:** Position Legs **20** onto the Front bottom panel **19**.

**b:**

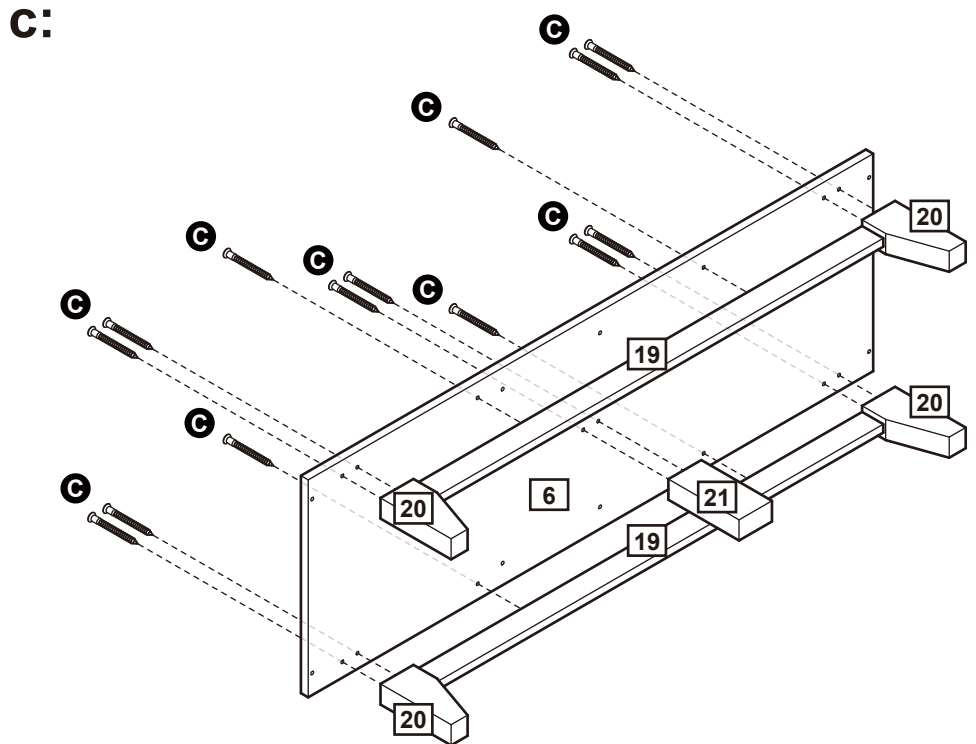


Continued on next page.

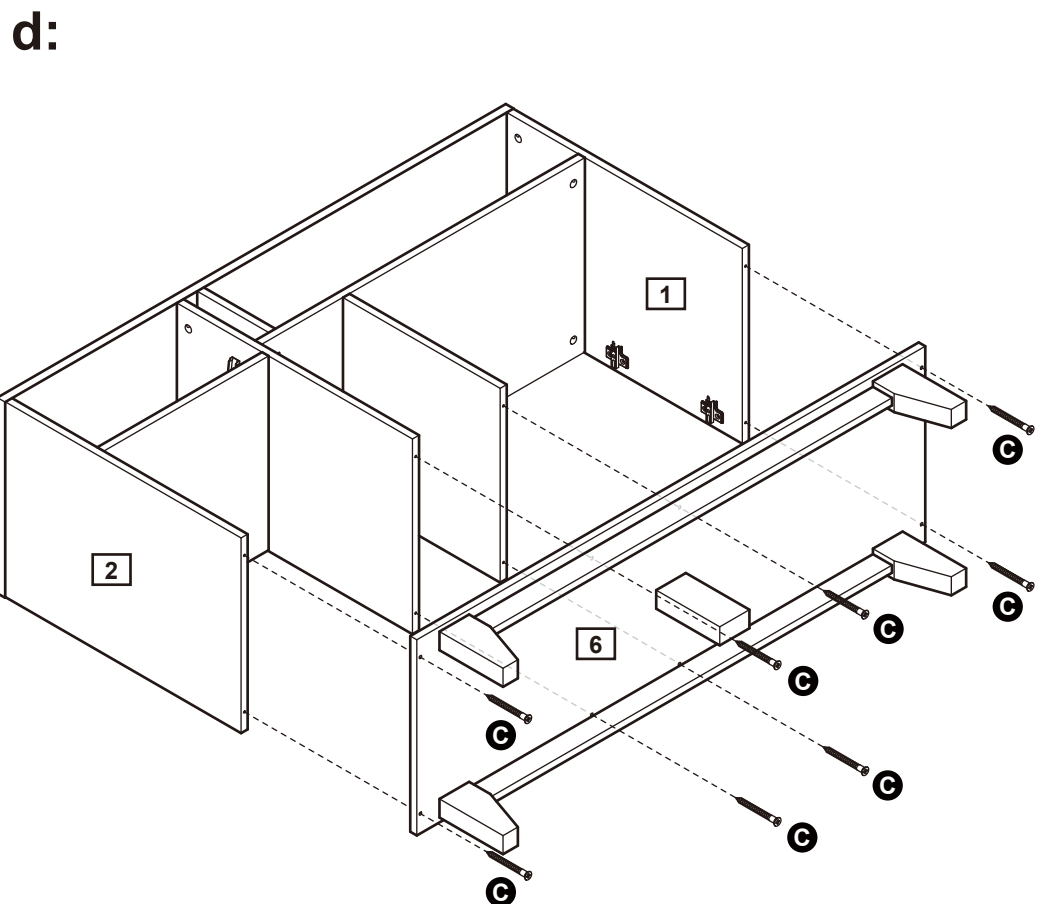
# Assembly Instructions

## Step 5 - continued

**c:** Use 14 Screws **C** to fix Front bottom panel **19**, Legs **20** and Bottom support **21** onto the Bottom panel **6**.



**d:** Use 8 Screws **C** to fix Bottom panel **6** onto the unit.



# Assembly Instructions

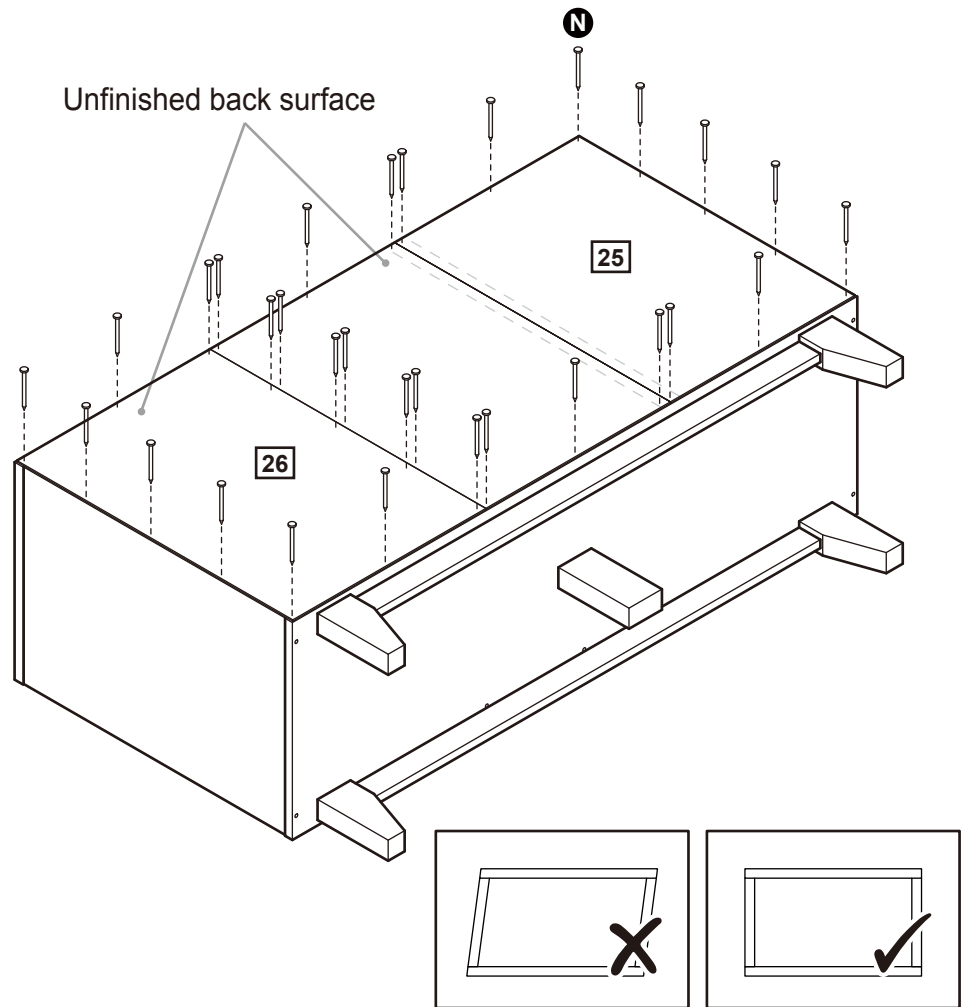
## Step 6

### Fixing back panels

Attach Small back panel **26** and Large back panel **25** using nails **N**.



**Important:**  
The unit **MUST** be 'square' when back is attached.



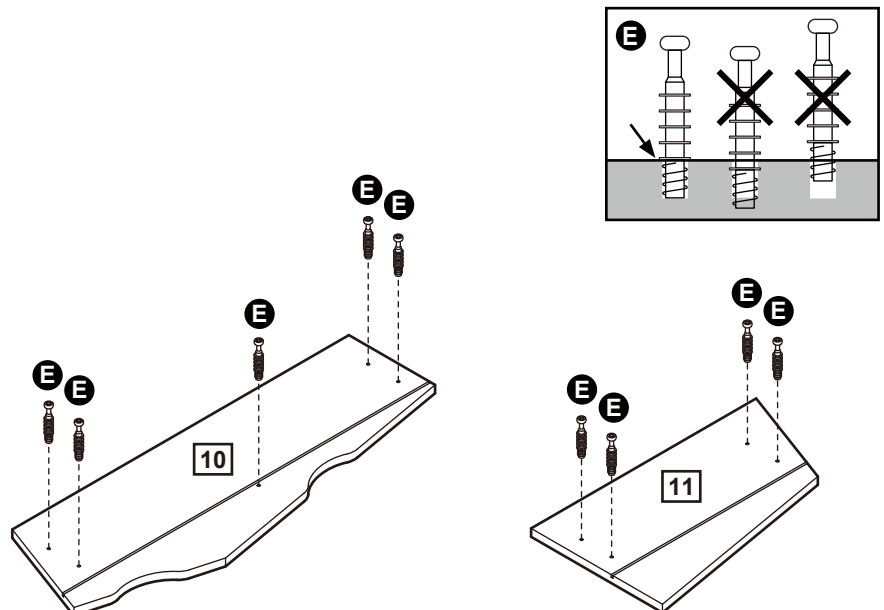
## Step 7

### Drawer assembly

**a:** Screw Locking pins **E** into the Large drawer front **10** and Small drawer front **11**.

**Note:** Insert locking pins as far as shown.  
**Do not over tighten.**

**a:**



Continued on next page.

# Assembly Instructions

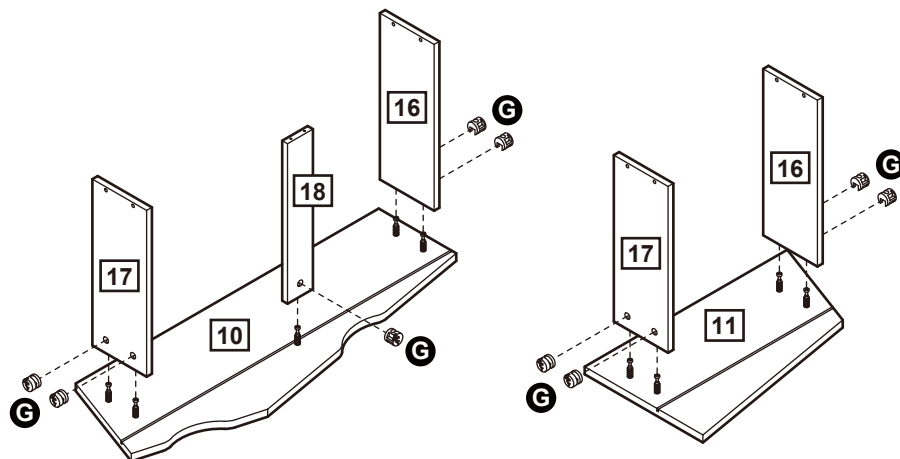
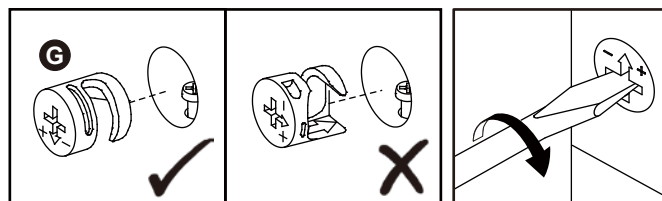
## Step 7 - continued

**b:** Fix Drawer right **17**,  
Drawer left **16** and  
Drawer support **18** on to  
Large drawer front **10** and  
Small drawer front **11**.

Insert 9 Locking nuts **G**  
into the Drawer right **17**,  
Drawer left **16** and  
Drawer support **18**.

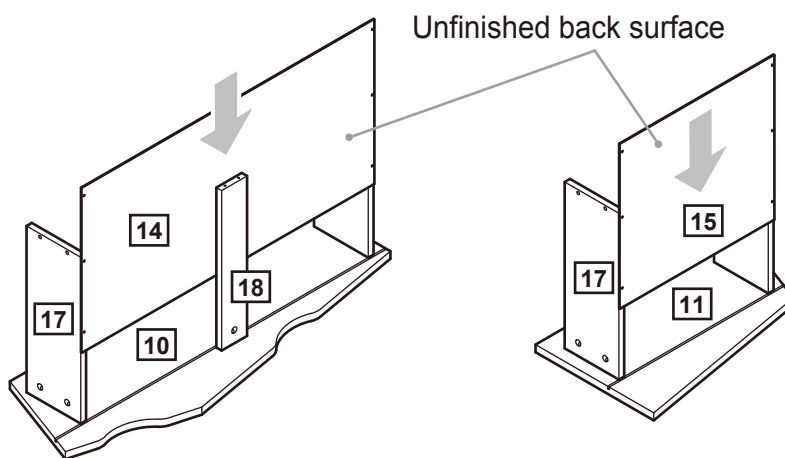
Use a screwdriver to turn  
Locking nuts **G** clockwise  
to lock.

**b:**



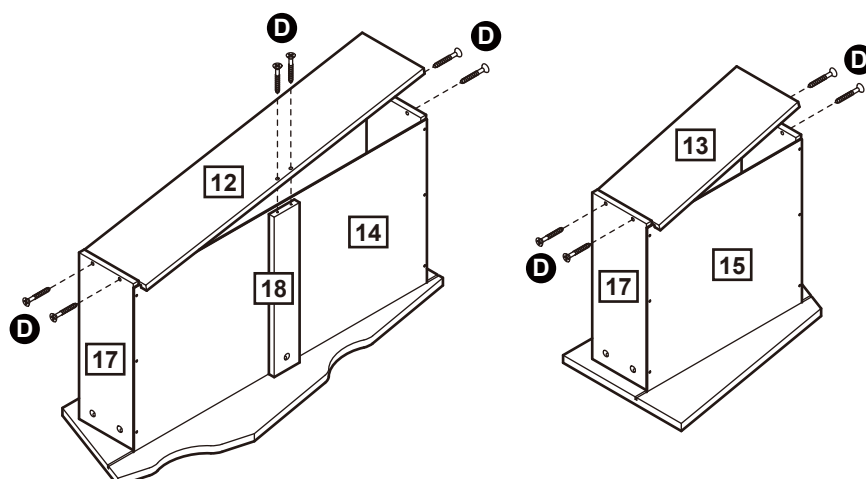
**c:** Carefully slide the  
Large drawer bottom **14**  
and Small drawer bottom  
**15** into the grooves.

**c:**



**d:** Position the Large  
drawer back **12** and Small  
drawer back **13** onto the  
unit using Screws **D**.

**d:**

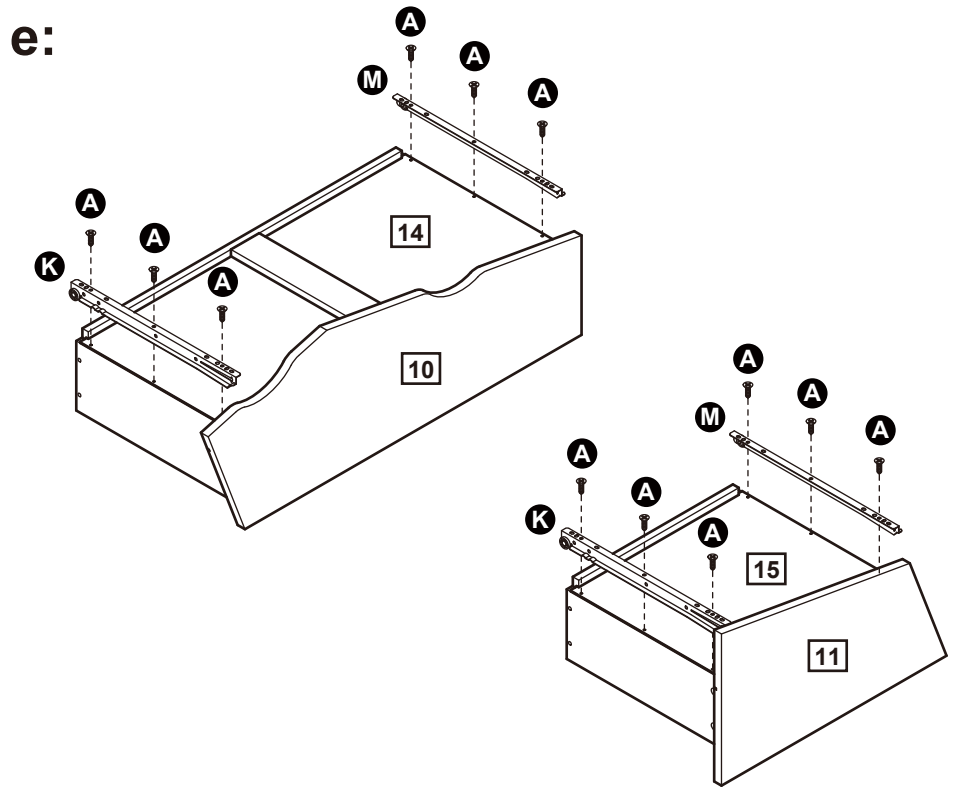


Continued on next page.

# Assembly Instructions

## Step 7 - continued

**e:** Use Screws **A** to fix the Left inside runners **M** and Right inside runners **K** onto the unit.



## Step 8

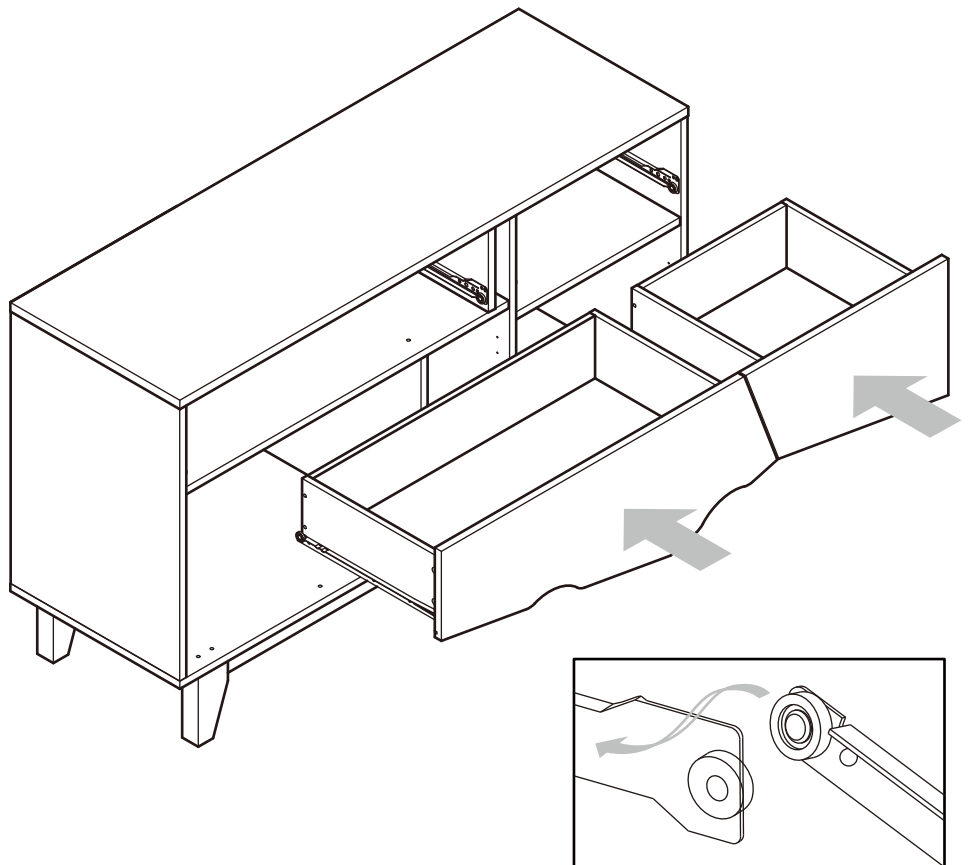
### Inserting drawers

With help, carefully stand unit upright.



**Warning:**  
The unit is heavy.  
**Lift with care.**

Slide the assembled drawers fully onto runners.



# Assembly Instructions

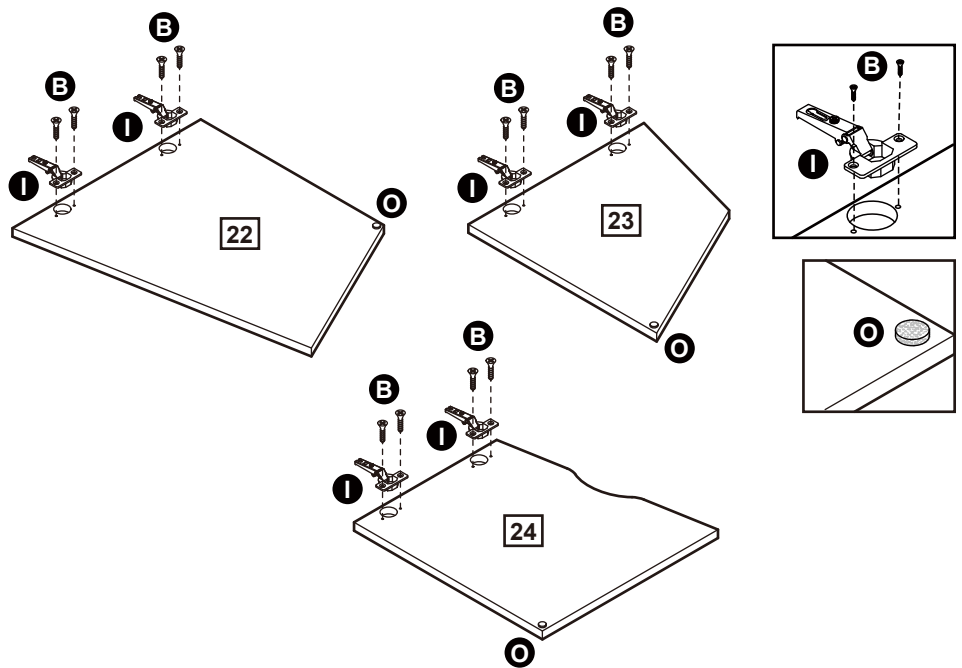
## Step 9

### Attaching hinges to doors

Fix 6 Door hinges **I** to Left door panel **22**, Middle door panel **23** and Right door panel **24** using Screws **B**.

Tear off the protective backing from the Door Pads **O**.

Carefully stick the Door pads **O** onto the Left door panel **22**, Middle door panel **23** and Right door panel **24**.



## Step 10

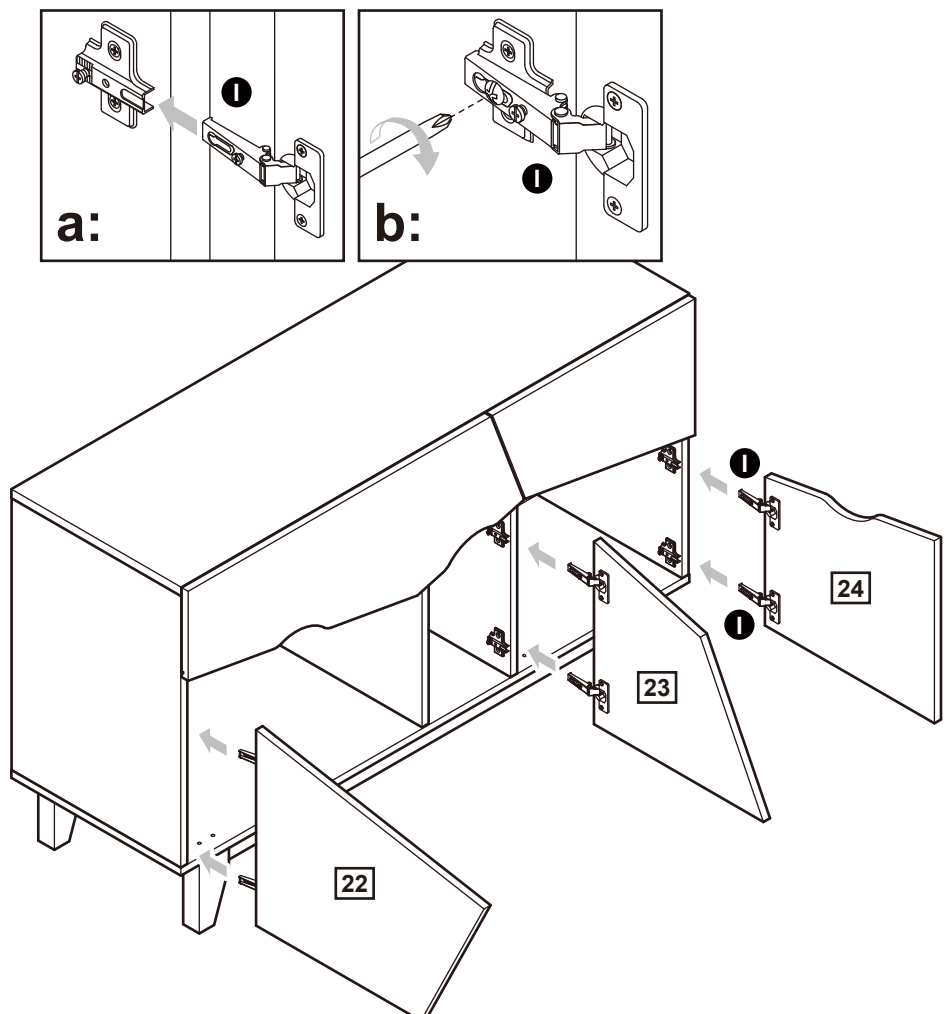
### Hanging doors

**a:** With help, slot Door hinges **I** onto 'hinge plates'.

**b:** Tighten screw shown to lock hinges in position.

Repeat **a** and **b** for opposite door.

See 'Hinge adjustment' in step 11 if the doors need adjusting.



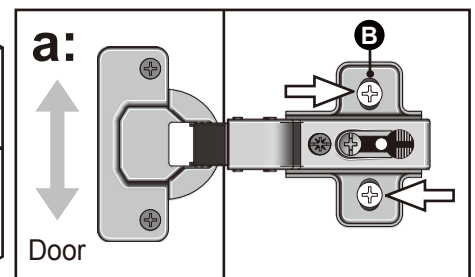
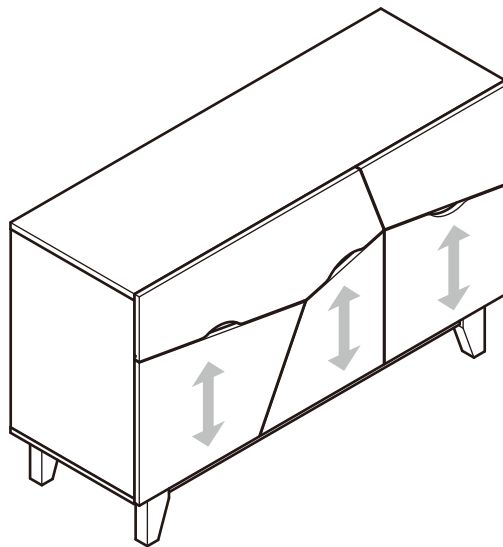
# Assembly Instructions

## Step 11

### Hinge adjustment

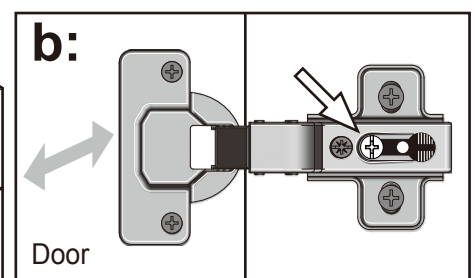
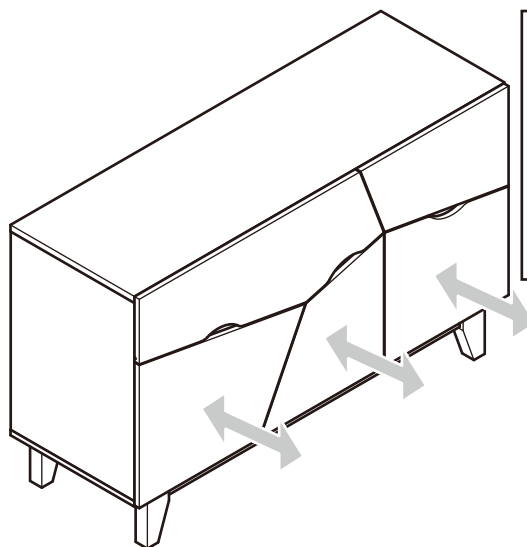
**a:** To move doors up or down: loosen screws shown and move doors to suit.

Once doors are aligned, re-tighten Screws **B**.



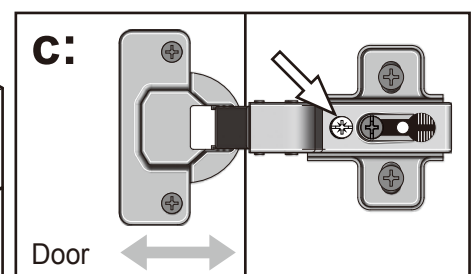
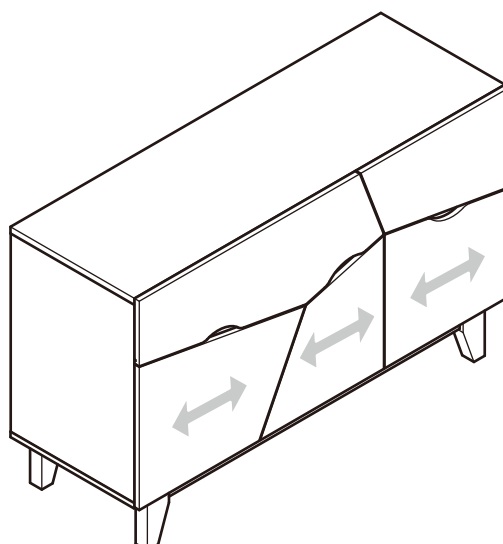
**b:** To move doors in or out: loosen screw shown and move doors to suit.

Re-tighten screws.



**c:** To move doors left or right: loosen screw shown and move doors to suit.

Re-tighten screws.





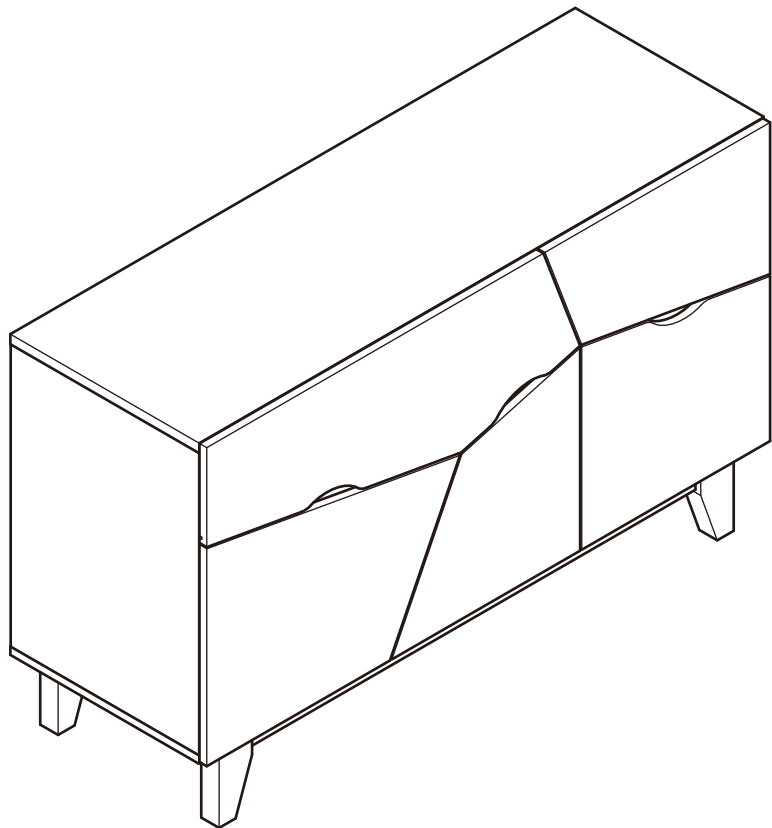
# Assembly Instructions

## Step 12

### Finishing the unit

**Note:** It would be useful to ask someone to help you at this stage.

With help, place the unit in the intended position.



**Assembly is complete.**

If you need help or have damaged or missing parts, call the **Customer Helpline:**  
**Argos = 0345 6400800**