

N 30, wall-mounted cooker hood, 60 cm, clear glass black printed
D631DK1SOB



A

The Inclined Hood with low-noise motor and Touch Control for an odor- and noise-free kitchen.

- ✓ Reduced Noise: Our optimised motor guarantees a quiet cooking experience.
- ✓ Intensive Setting – A peak performance beats steam during intense cooking with automatic revert.
- ✓ Touch Control: An integrated flat surface control panel for smooth operation with a fingerswipe.
- ✓ Filter Saturation Indicator - Automatic reminders to clean and replace your filters.
- ✓ LED Lighting – Clear illumination while you cook.

Features

Technical Data

Typology : Wall-mounted
 Length electrical supply cord : 150.0 cm
 Height of product, without chimney : 325 mm
 Net weight : 11.1 kg
 Type of control : Electronic
 Number of speed settings : 3-stages + intensive setting
 Maximum output air extraction : 430 m³/h
 Boost position output recirculating : 550.0 m³/h
 Maximum output recirculating air : 445 m³/h
 Boost position air extraction : 550 m³/h
 Number of lights : 2
 Noise level : 60 dB(A) re 1pW
 Diameter of air outlet : 150 mm
 Grease filter material : Washable aluminium
 Odour filter : No
 Operating Mode : Convertible
 Optional accessories : Z51GIA1X3, Z51GIU1X3
 Type of lamps used : LED
 Total power of the lamps : 3 W
 Grease filter type : Kasette
 Connection Rating : 223 W
 Fuse protection : 4 A
 Voltage : 220-240 V
 Frequency : 50 Hz
 Plug type : GB plug
 Installation typology : Wall-mounted
 Plug type : GB plug
 Dimensions of the product, with chimney (if exists) (in) : x x
 Dimensions of the packed product : 15.35 x 17.32 x 26.77
 Net weight : 24.000 lbs
 Gross weight : 33.000 lbs
 Motor location : Integrated motor in hood body
 No-return airflow flap : Yes
 Length electrical supply cord : 150.0 cm
 Dimensions of the product, with chimney (if exists) : x 590.0 x 325.0 mm
 Dimensions of the packed product (HxWxD) : 390 x 440 x 680 mm
 Net weight : 11.1 kg
 Gross weight : 14.9 kg

Optional accessories

Z51GIA1X3 Standard odor filter (replacement)
 Z51GIU1X3 Standard recirculation kit



4 242004 273318

N 30, wall-mounted cooker hood, 60 cm, clear
glass black printed
D631DK1SOB

Features

Design:

- Inclined design
- wall-mounted
- Glass plate: clear glass black printed
- Suitable for ducted or re-circulated extraction
- For recirculated extraction standard recirculation kit (accessory) needed

Core Features:

- Capacitor motor
- 2 x 3 W
- Colour Temperature: 4000 K
- Light Intensity: 127 lux
- 1 metal grease filter(s).

Comfort Features:

- Electronic control via Touch Control, backlit
- 3 speeds plus intensive setting
- Automatic reset from intensive to normal setting after 5 min
- Saturation indicator for grease filter and odor filter

Cleaning Comfort:

- Easy to clean smooth surfaces and materials.
- Metal grease filter dishwasher-safe

Performance Exhaust:

- According to EN 61591 and EN/ IEC 60704-2-13 your appliance can achieve the following values in exhaust mode:
Speed 1: extraction rate 220 m³/h; noise level 46 dB(A) re 1pW
Speed 2: extraction rate 315 m³/h; noise level 53 dB(A) re 1pW
Speed 3: extraction rate 430 m³/h; noise level 60 dB(A) re 1pW
Intensive Speed 1: extraction rate 550 m³/h; noise level 65 dB (A) re 1pW
- Energy Efficiency Class: A (at a range of energy efficiency classes from A+++ to D)
- Average Energy Consumption: 43.8 kWh/year
- Blower Efficiency Class: A
- Lighting Efficiency Class: A
- Grease Filtering Efficiency Class: E

Performance Recirculation:

- According to EN 61591 and EN/ IEC 60704-2-13 your appliance can achieve the following values in recirculation mode with standard recirculation kit (available as optional accessory):
Speed 1: extraction rate 215 m³/h; noise level 51 dB(A) re 1pW
Speed 2: extraction rate 300 m³/h; noise level 61 dB(A) re 1pW
Speed 3: extraction rate 445 m³/h ; noise level 69 dB(A) re 1pW
Intensive Speed 1: extraction rate 550 m³/h; noise level 72 dB (A) re 1pW

Technical Information and Sustainability:

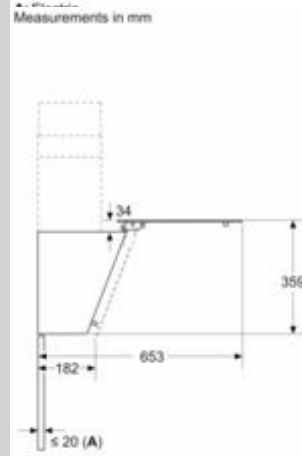
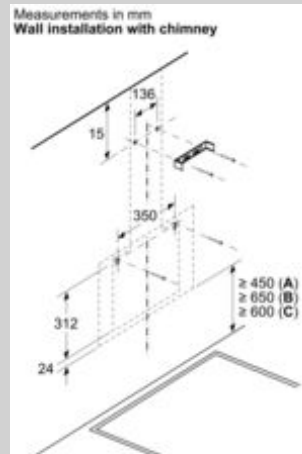
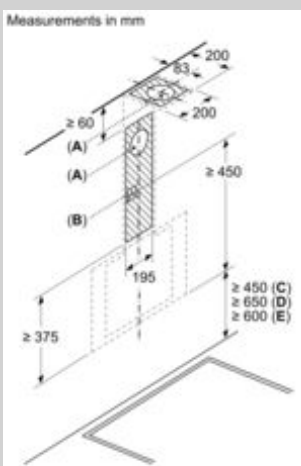
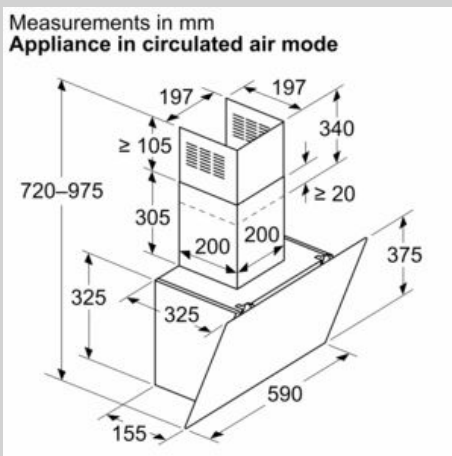
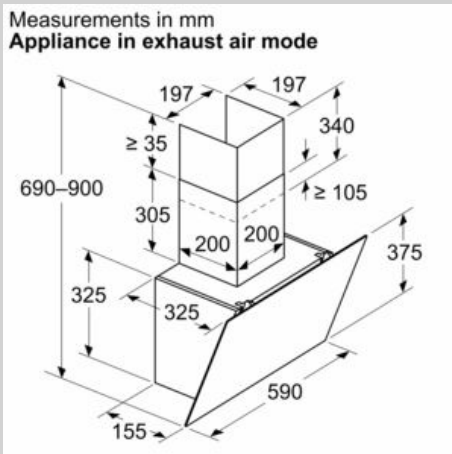
- Consumption data:
- Power rating: 223 W
- Voltage: 220 - 240 V

Planning and Installation Information:

- Dimensions exhaust air (HxWxD): 690 mm - 900 mm x 590 mm x 325 mm
- Dimensions recirculating installation (HxWxD): 720 mm - 975 mm x 590 mm x 325 mm
- Diameter pipe Ø 150 mm
- Electrical cable length 1.5 m
- with one-way flap

N 30, wall-mounted cooker hood, 60 cm, clear glass black printed
D631DK1SOB

Dimensioned drawings



A: Max. back wall thickness

- A: Exhaust-air outlet
- B: Socket
- C: Electric
- D: Gas - from upper edge of pan support
- E: Electric - for Australia and New Zealand