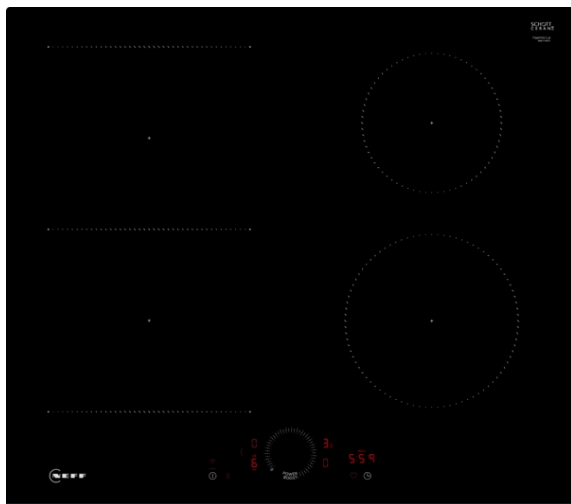


N 70, Induction hob, 60 cm, Black, surface mount without frame

T56FHS1L0



Standalone Combi Induction hob with Twist Touch® control.

- ✓ Twist Touch® - Control your hob with a twist of your finger.
- ✓ Combi Induction – Combine two circular cooking zones to heat large cookware.
- ✓ Home Connect - Monitor your hob via the App.
- ✓ Smart Hood Automatic - The matching hood automatically adjusts on your hob settings while cooking.
- ✓ Favourite Button - Save and manage the settings of your choice.

Features

Technical Data

Product name/family : Cooking zone ceramic
Built-in / Free-standing : Built-in
Energy input : Electric
Total number of positions that can be used at the same time : 4
Min. required niche size for installation (HxWxD) : 51 x 560-560 x 490-500 mm
Width of the appliance : 592 mm
Dimensions : 51x592x522 mm
Dimensions of the packed product (HxWxD) : 126 x 753 x 608 mm
Net weight : 10.9 kg
Gross weight : 13.1 kg
Residual heat indicator : yes
Location of control panel : Front
Basic surface material : Ceramic
Color of surface : Black
Length electrical supply cord : 110.0 cm
Sealed Burners : No
Boost function for pots : All cooking zones
Power of 2nd heating element (kW) : 3.6 kW
Power of 5th heating element (kW) : 1.6 kW
Power of heating element (kW in boost) : [3.7] kW
Power of 5th heating element (kW in boost) : [2.2] kW
Connection Rating : 6900 W
Voltage : 220-240 V
Frequency : 50; 60 Hz
Energy input : Electric
Plug type : No plug (electrical connection by electrician)
Appliance Dimensions (h x w x d) (in) : x x
Dimensions of the packed product : 4.96 x 23.93 x 29.64
Net weight : 24.000 lbs
Gross weight : 29.000 lbs

Optional accessories

Z1365WX0	Wireless food thermometer
Z9404SE0	4 pieces Set
Z9406SE0	6 pieces Set
Z9410ES0	Espresso maker 4 cups
Z9428FE0	Iron pan Ø 18 / 28 cm
Z943SE0	Set of 2 pots and 1 pan



N 70, Induction hob, 60 cm, Black, surface mount
without frame
T56FHS1L0

Features

- 60 cm: space for 4 pots

Flexibility of cooking zones

- CombiZone
: use bigger cookware by connecting two classic cooking zones into one large zone.
- Cooking zone front left: 190 mm, 210 mm, 2.5 KW (max. power 3.7 KW)
- Cooking zone rear left: 190 mm, 210 mm, 2.5 KW (max. power 3.7 KW)
- Cooking zone rear right: 145 mm , 1.6 KW (max power 2.2 KW)
- Cooking zone front right: 180 mm, 2 KW (max. power 3.1 KW)

Usage convenience

- Twist Touch®: directly control the power with the imprinted touch ring.
- Favourite button: directly access favourite functions with a configurable button (available with connected Home Connect account).
- 17 power levels: precisely adapt the heat with 17 power levels (9 main levels and 8 intermediate levels).
- Keep warm, selectable via Favourite button/Home Connect App (expected availability in Q4/2024 via software update for appliances connected to Home Connect): keep dishes warm at preset low power level.
- Switch-off timer (on appliance): switches off the cooking zone at the end of the time set (e.g. for boiled eggs).
- Count-down-timer (can be chosen instead of switch-off timer): an alarm sounds at the end of the time set (e.g. for pasta).
- Sound volume adaptable to personal preference and needs.

Time saving & efficiency

- Power Boost for all zones: boil water more quickly thanks to 50% more energy than at the highest standard level.
- Pan boost, selectable via Favourite button/Home Connect App (expected availability in Q4/2024 via software update for appliances connected to Home Connect): heat up pans more quickly than at the highest standard level while protecting the pan coating.
- Quick Start Function: when switching on, the hob automatically selects the cooking zone with cookware (placed in off-mode).
- Re Start Function: in case of unintentional switch-off, restore all previous settings by switching on the hob again within 4 seconds.

Connectivity

- Home Connect (only in countries where Home Connect service is available): check if the hob is switched off even when not at home, and find recipes or additional functions in the Home Connect app.
- Hob-based hood control (with matching hood): automatically activates the hood when cooking, thanks to the WiFi connection of hob and suitable hood.
- Smart Hood Automatic : hood automatically adapts fan speed thanks to hob continuously providing cooking data (with matching hood and connected Home Connect account).
- Smart home trigger, via Favourite button (available with connected Home Connect account): open up the smart universe from your cooktop (partner service required).
- Updateable appliance (available with connected Home Connect account): keep appliance always up to date with latest status of software.

Design

- Bevelled front: finely bevelled glass in the front

Safety

- Residual heat indicator (2 stage): indicates which cooking zones are still hot or warm.
- Childproof lock: prevent unintended activation of the hob.
- Pause function: pause the heating process, e.g to answer the door.
- Main Switch: switch off all cooking zones at the touch of a button.
- Safety switch-off: for safety reasons, heating stops after a preset time without interaction.

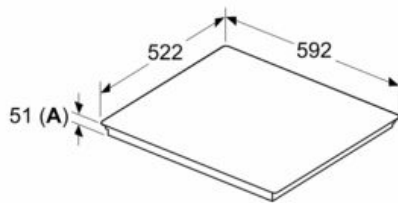
Installation

- Dimensions of the product (HxWxD mm): 51 x 592 x 522
- Required niche size for installation (HxWxD mm) : 51 x 560 x (490 - 500)
- Min. worktop thickness: 16 mm
- Connected load: 6900 W
- Powermanagement function: limit the maximum power if needed (depends on fuse protection of electric installation).

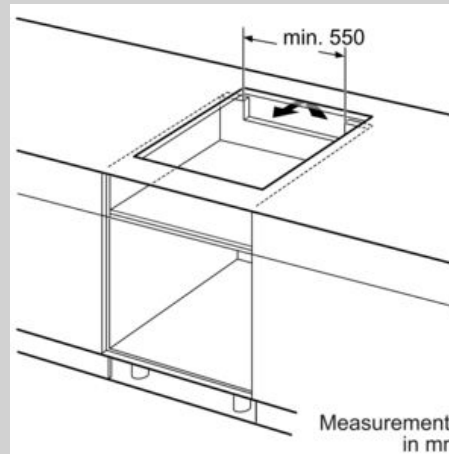
N 70, Induction hob, 60 cm, Black, surface mount
without frame
T56FHS1L0

Dimensioned drawings

Measurements in mm

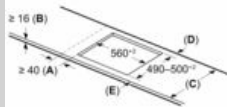


A: Recessed depth



Measurements in mm

Measurements in mm



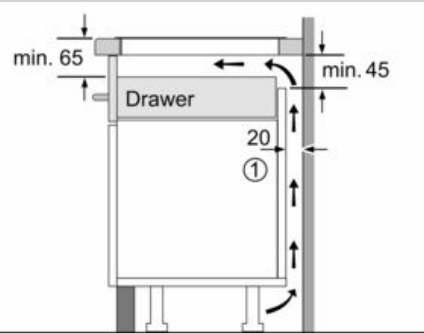
A: Min. distance from the hob cut-out to the wall

B: The clearance between the surface of the worktop and the top of the front of the oven must be 30 mm

See space requirements for the oven

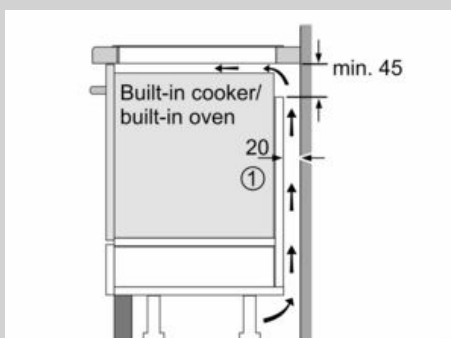
The worktop into which the hob is installed must withstand loads of approx. 60 kg; suitable substructures must be used if required

C	D	E
585-600	50	≥ 35
> 600	≥ 50	≥ 50



① Ventilation gap must be present.

Measurements in mm



① Ventilation gap must be present

All measurements in mm