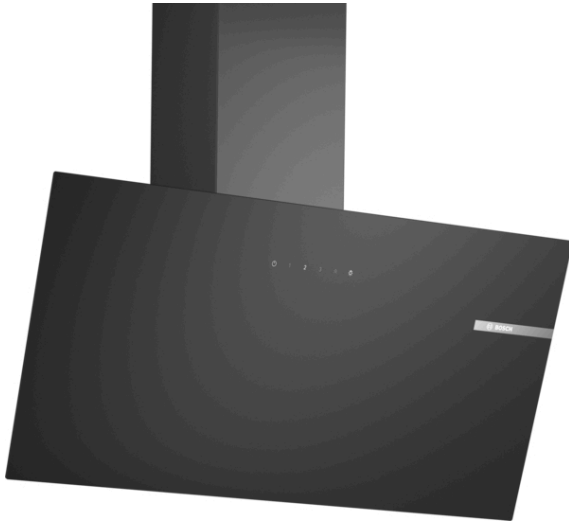


**Series 2, wall-mounted cooker hood,
80 cm, clear glass black printed
DWK85DK60B**



A

Optional accessories

DWZ1GK1A2 : Standard odor filter (replacement)
DWZ1GK1U2 : Standard recirculation kit

The Inclined Hood with Touch Select Basic Control and a low noise motor for an odor and noise free kitchen.

- **Low noise motor:** enjoy a peaceful cooking experience with max. extractor performance and low noise.
- **Intensive speed setting with reset:** automatically resets the hood to normal speed setting
- **Touch Select Basic Control:** quickly select hood settings via touch control.
- **Filter saturation:** automatic reminders to clean and replace your filters
- **Easy-to-clean interior:** the large opening angle and smooth surface enable quick cleaning and easy filter replacement.

Technical Data

Typology : Wall-mounted
 Length electrical supply cord : 150.0 cm
 Height of product, without chimney : 325 mm
 Net weight : 11.7 kg
 Type of control : Electronic
 Number of speed settings : 3-stages + intensive setting
 Maximum output air extraction : 430 m³/h
 Boost position output recirculating : 550.0 m³/h
 Maximum output recirculating air : 445 m³/h
 Boost position air extraction : 550 m³/h
 Number of lights : 2
 Noise level : 60 dB(A) re 1pW
 Diameter of air outlet : 150 mm
 Grease filter material : Washable aluminium
 Odour filter : No
 Operating Mode : Convertible
 Optional accessories : DWZ1GK1A2, DWZ1GK1U2
 Type of lamps used : LED
 Total power of the lamps : 3 W
 Grease filter type : Kasette
 Connection Rating : 223 W
 Fuse protection : 4 A
 Voltage : 220-240 V
 Frequency : 50 Hz
 Plug type : GB plug
 Installation typology : Wall-mounted
 Plug type : GB plug
 Dimensions of the product, with chimney (if exists) (in) : x x
 Dimensions of the packed product : 15.35 x 16.92 x 33.85
 Net weight : 26.000 lbs
 Gross weight : 35.000 lbs
 Motor location : Integrated motor in hood body
 No-return airflow flap : Yes
 Length electrical supply cord : 150.0 cm
 Dimensions of the product, with chimney (if exists) : x 790.0 x 325.0 mm
 Dimensions of the packed product (HxWxD) : 390 x 430 x 860 mm
 Net weight : 11.7 kg
 Gross weight : 15.9 kg



Series 2, wall-mounted cooker hood, 80 cm, clear glass black printed DWK85DK60B

The Inclined Hood with Touch Select Basic Control and a low noise motor for an odor and noise free kitchen.

Design:

- Inclined design
- wall-mounted
- Glass plate: clear glass black printed
- Suitable for ducted or re-circulated extraction
- For recirculated extraction standard recirculation kit (accessory) needed

Core Features:

- Capacitor motor
- 2 x 3W led light
- Colour Temperature: 4000 K
- Light Intensity: 127 lux
- 1 metal grease filter(s).

Comfort Features:

- Electronic control via Touch Select Basic Control, backlighted
- 3 speeds plus intensive setting
- Automatic reset from intensive to normal setting after 5 min
- Saturation indicator for grease filter and odor filter

Cleaning Comfort:

- Easy to clean smooth surfaces and materials.
- Metal grease filter dishwasher-safe

Performance Exhaust:

- According to EN 61591 and EN/ IEC 60704-2-13 your appliance can achieve the following values in exhaust mode:
 - Speed 1: extraction rate 220 m³/h; noise level 46 dB(A) re1pW
 - Speed 2: extraction rate 315 m³/h; noise level 53 dB(A) re1pW
 - Speed 3: extraction rate 430 m³/h; noise level 60 dB(A) re1pW
 - Intensive Speed 1: extraction rate 550 m³/h; noise level 65 dB (A) re1pW
- Energy Efficiency Class: A (at a range of energy efficiency classes from A+++ to D)
- Average Energy Consumption: 43.8 kWh/year
- Blower Efficiency Class: A
- Lighting Efficiency Class: A
- Grease Filtering Efficiency Class: E

Performance Recirculation:

- According to EN 61591 and EN/ IEC 60704-2-13 your appliance can achieve the following values in recirculation mode with standard recirculation kit (available as optional accessory):
 - Speed 1: extraction rate 215 m³/h; noise level 51 dB(A) re1pW
 - Speed 2: extraction rate 300 m³/h; noise level 61 dB(A) re1pW
 - Speed 3: extraction rate 445 m³/h ; noise level 69 dB(A) re1pW
 - Intensive Speed 1: extraction rate 550 m³/h; noise level 72 dB (A) re1pW

Technical Information and Sustainability:

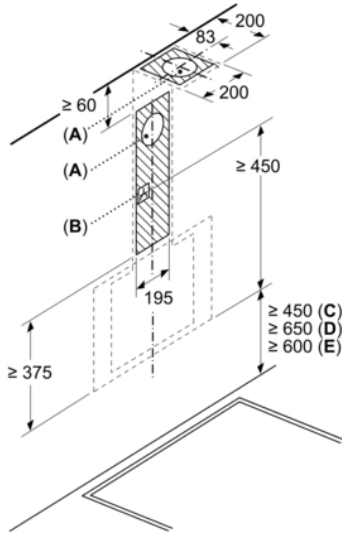
- Consumption data:
- Power rating: 223 W
- Voltage: 220 - 240 V

Planning and Installation Information:

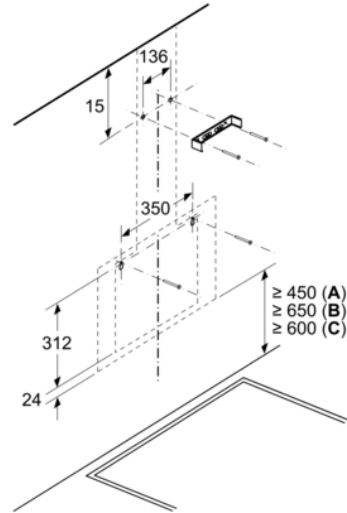
- Dimensions exhaust air (HxWxD): 690 mm -900 mm x 790 mm x 325 mm
- Dimensions recirculating installation (HxWxD): 720 mm -975 mm x 790 mm x 325 mm
- Diameter pipe Ø 150 mm
- Electrical cable length 1.5 m
- with one-way flap

**Series 2, wall-mounted cooker hood, 80 cm,
clear glass black printed
DWK85DK60B**

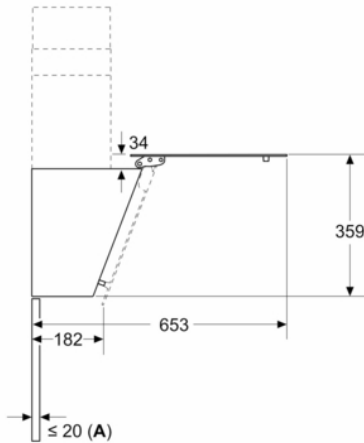
Measurements in mm



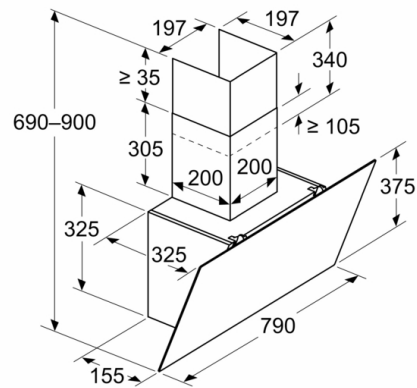
Measurements in mm
Wall installation with chimney



Measurements in mm



Measurements in mm
Appliance in exhaust air mode



Measurements in mm
Appliance in circulated air mode

