

**Series 2, wall-mounted cooker hood,
60 cm, Black
DWB66BC60B**



Optional accessories

DWZ0DX0A0 : Standard odor filter (replacement)
 DWZ0DX0U0 : Standard recirculation kit
 DWZ0XX0J0 : Long Life recirculation kit
 DWZ1DX1B4 : Clean Air Standard odor filter (repl.)
 DWZ1DX1I4 : Clean Air Standard recirculation kit
 DWZ1DX1I6 : Clean Air Plus recirculation kit
 DZZ0XX0P0 : Long Life odor filter (replacement)
 DZZ1XX1B6 : Clean Air Plus odor filter (replacement)

- **Grease filtration level:** filters out over 85% of the grease from kitchen air
- **LED Illumination:** The energy-saving lighting provides white and good lighting for the hob area.
- **Extraction rate:** ensures optimal kitchen air quality.
- **Metal Grease Filter:** cleans the air, captures grease, easy monthly clean-up.
- The energy saving lighting provides white and good lighting for the hob area.

Technical Data

Typology : Wall-mounted
 Length electrical supply cord : 130.0 cm
 Height of the chimney : 583-912/583-1022 mm
 Height of product, without chimney : 53 mm
 Net weight : 11.9 kg
 Type of control : mechanical
 Number of speed settings : 3
 Maximum output air extraction : 621 m³/h
 Maximum output recirculating air : 422 m³/h
 Number of lights : 2
 Noise level : 69 dB(A) re 1pW
 Diameter of air outlet : 120 / 150 mm
 Grease filter material : Washable aluminium
 Odour filter : No
 Operating Mode : Convertible
 Optional accessories : DWZ0DX0A0, DWZ0DX0U0, DWZ0XX0J0, DWZ1DX1B4, DWZ1DX1I4, DWZ1DX1I6, DZZ0XX0P0, DZZ1XX1B6
 Type of lamps used : LED
 Grease filter type : Cassette
 Connection Rating : 220 W
 Fuse protection : 10 A
 Voltage : 220-240 V
 Frequency : 50; 60 Hz
 Plug type : GB plug
 Installation typology : Wall-mounted
 Body material : Lacquered
 Plug type : GB plug
 Dimensions of the product, with chimney (if exists) (in) : x x
 Dimensions of the packed product : 19.29 x 25.59 x 28.74
 Net weight : 26.000 lbs
 Gross weight : 36.000 lbs
 Motor location : Integrated motor in hood chimney
 No-return airflow flap : Yes
 Length electrical supply cord : 130.0 cm
 Dimensions of the product, with chimney (if exists) : 635-1075 MM x 600.0 x 500.0 mm
 Dimensions of the packed product (HxWxD) : 490 x 650 x 730 mm
 Net weight : 11.9 kg
 Gross weight : 16.6 kg



4 242005 451135

Series 2, wall-mounted cooker hood, 60 cm, Black DWB66BC60B

- DWB66BC60B
- DWB66BC60B black
- 60 cm, Chimney hood
- Box design
- Energy Efficiency Class: B (at a range of energy efficiency classes from A+++ to D)
- Average Energy Consumption: 46.5 kWh/year
- Blower Efficiency Class: A
- Lighting Efficiency Class: A
- Grease Filtering Efficiency Class: B
- Noise min./max. Normal Level: 48/69 dB

Variant:

Design:

Technical information

Performance

Power:

Environment and safety:

Comfort:

Measures:

Technical information

- Wall Hood black
- Chimney hood, black, 60 cm
- 60 cm Chimney hood
- 60 cm wide
- Suitable for ducted or re-circulated extraction
- For recirculated extraction standard recirculation kit or Clean Air Plus recirculation kit (accessory) needed
- Wall mounted hood
- push buttons
- 3 speeds via push buttons
- 3 speeds
- Twin channel high performance fan motor
- Energy efficient capacitor motor
- 2 x 1,5 W LED
- Light Intensity: 99 lux
- Colour Temperature: 3500 K
- Metal grease filter, dishwasher safe
- Extraction rate exhaust air according to EN 61591 max. 621 m³/h
- Noise level according to EN 60704-2-13 at max. normal use exhaust air: Noise, max. speed in normal use: 69 dB dB(A) re 1 pW
- Diameter pipe Ø 150 mm (Ø 120 mm enclosed)
- with one-way flap
- Max. extraction rate: 621 m³/h
- Dimensions exhaust air (HxWxD): 635 mm -965 mm x 600 mm x 500 mm
- Dimensions recirculating installation (HxWxD): 635 mm -1075 mm x 600 mm x 500 mm
- Dimensions recirculating with CleanAir Plus recirculation kit (HxWxD):
703 x 600 x 500mm - mounting with outer chimney
833-1163 x 600 x 500 mm - mounting with telescopic chimney
- Dimensions recirculating with cleanAir Plus recirculation kit (HxWxD);
703 x 600 x 500mm - mounting with outer chimney
833-1163 x 600 x 500 mm - mounting with telescopic chimney
- Dimensions recirculating with CleanAir Plus recirculation kit (HxWxD):
703 x 600 x 500mm - mounting with outer chimney
833-1163 x 600 x 500 mm - mounting with telescopic chimney
703 x 600 x 500mm - mounting with outer chimney
833-1163 x 600 x 500 mm - mounting with telescopic chimney
- Power rating: 220 W
- Electrical cable length 1.3 m
- With the Clean Air Plus recirculation kit (available as optional accessory) your appliances reaches:
Extraction rate in recirculation mode: Max. normal use:422m³/h
Noise level in recirculation mode: Max. normal use:74 dB(A) re 1 pW

Energy efficiency class

- For recirculated extraction a standard recirculation kit or a Clean Air recirculation kit (accessory) is needed
- Dimensions recirculating with CleanAir Plus recirculation kit (HxWxD): 833-1163 x 600 x 500 mm

Comfort:

- Wall hood

General Information

- 2 capture areas: front side and bottom side

Technical Information**Convenience & Safety****Technical Information**

- Dimensions (HxWxD): 635 x 600 x 500 mm

Design:

- Single motor

Environment+safety:**Measurements:**

- Connecting cable 1.3 m with plug

Performance

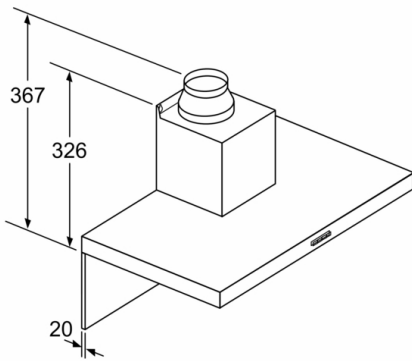
- 2 x LM2-01_LED_1,5W

Comfort:

- Optional accessories
- EAN: 4242005451135
- Cassette with alu frame
- "Please reference the built-in dimensions provided in the installation drawing"

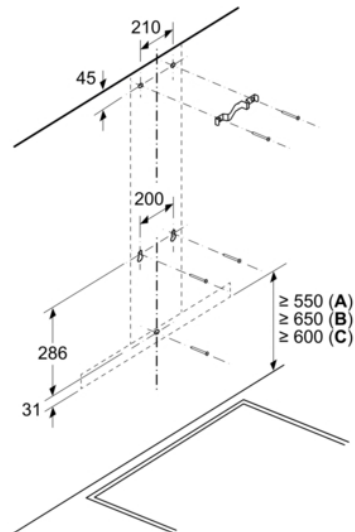
** In accordance with the EU-Regulation No 65/2014*

**Series 2, wall-mounted cooker hood, 60 cm,
Black
DWB66BC60B**

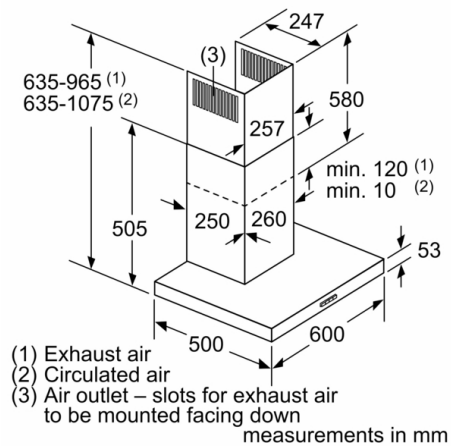
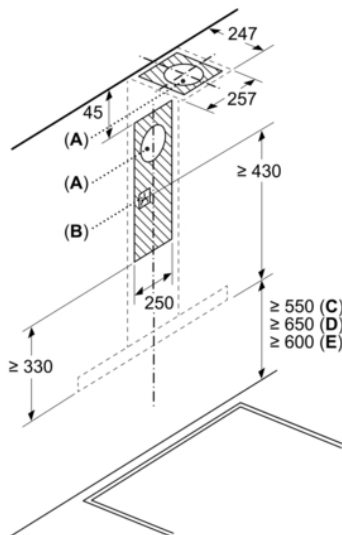


If a back panel is used,
the design of the appliance
must be considered. measurements in mm

Measurements in mm



Measurements in mm



- A: Exhaust air outlet
- B: Socket
- C: Electric
- D: Gas - from upper edge of pan support
- E: Electric - for Australia and New Zealand