

**Series 4, Built-In Microwave,  
Stainless steel  
BFL523MS0B**



**Included accessories**

1 x Turntable

**Optional accessories**

HEZ86D000 : Steamer Cooker Accessory for Microwave

**The built-in microwave for the 38 cm niche:  
use it for extra fast thawing, heating and  
perfect preparation of foods.**

- **AutoPilot 7:** every dish is a perfect success thanks to 7 pre-set automatic programmes.
- **LED-display control, red:** easy-to-use thanks to the time functions.
- **Pop-out controls:** Make the front of the oven easy to clean and give it a sleek look.
- **Stainless steel interior:** easy to clean interior thanks to smooth surfaces and no sharp edges.
- **Cleaning Assistance:** less cleaning effort thanks to the new cleaning option, which can be especially used for cleaning of light soiling.

**Technical Data**

Type of control : Electronic

Dimensions : 382x594x317 mm

Cavity dimensions : 201.0 x 308.0 x 282.0 mm

Length electrical supply cord : 130.0 cm

Net weight : 15.3 kg

Gross weight : 17.6 kg

Maximum micro-wave power : 800 W

Number of Power Levels : 5

Turntable : Yes

Cavity material : Stainless steel

Door opening : Button

Clock : Yes

Included accessories : 1 x Turntable

Height of the appliance : 382 mm

Width of the appliance : 594 mm

Depth of the product : 317 mm

Maximum micro-wave power : 800 W

Connection Rating : 1270 W

Fuse protection : 10 A

Voltage : 230-240 V

Frequency : 50 Hz

Plug type : GB plug

Required cutout/niche size for installation (in) : x

Dimensions of the packed product : 17.32 x 14.96 x 25.98

Net weight : 34.000 lbs

Gross weight : 39.000 lbs



4 242005 038862

## Series 4, Built-In Microwave, Stainless steel BFL523MS0B

**The built-in microwave for the 38 cm niche:  
use it for extra fast thawing, heating and  
perfect preparation of foods.**

### Dimensions:

- Appliance dimension (HxWxD): 382 mm x 594 mm x 317 mm
- Niche dimension (HxWxD): 362 mm - 365 mm x 560 mm - 568 mm x 300 mm
- "Please reference the built-in dimensions provided in the installation drawing"

---

### Microwave and heating mode:

- Max. Power: 800 W; 5 Microwave power settings: 90 W, 180 W, 360 W, 600 W, 800 W
- Cavity volume: 20 l

### Design:

- stainless steel cavity

### Cleaning:

- Cleaning Assistance (manually)

### Comfort:

- LED display control
- electronic clock
- Rotary Control, Pop-out controls, Touch control
- User-friendly electronics: extremely easy and comfortable operation
- AutoPilot 7
- 4 defrost and 3 cooking programmes in microwave function
- Memory for individual programmes (1 setting)
- LED light
- 25.5 cm glass turntable
- side opening door, hinge left
- Electronic door opener
- Touch key operation

### Accessory:

- 1 x Turntable

### Environment and Safety:

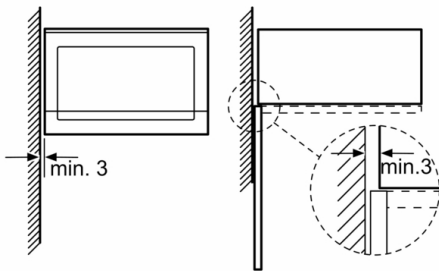
- Door contact switch
- Integral cooling fan

### Technical Information

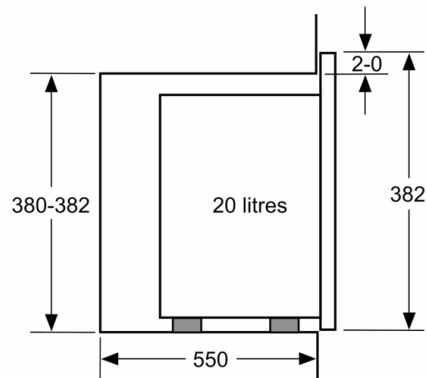
- Length of mains cable: 130 cm
- Total connected load electric: 1.27 KW
- Nominal voltage: 230 - 240 V
- suitable for high cupboard installation, can be built in a 60 cm wall cupboard (at least 30 cm deep)

## Series 4, Built-In Microwave, Stainless steel BFL523MS0B

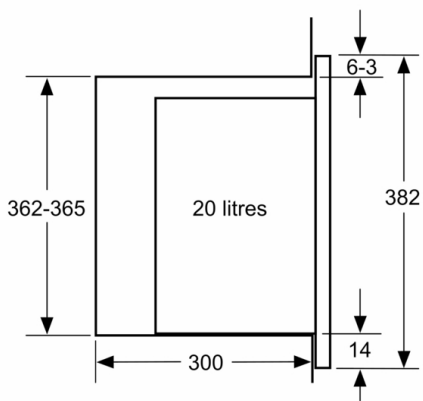
Microwave,  
corner installation



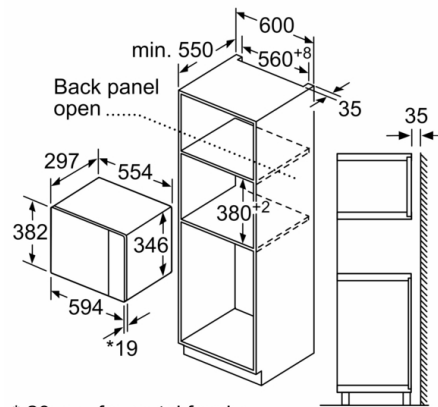
Measurements in mm



measurements in mm

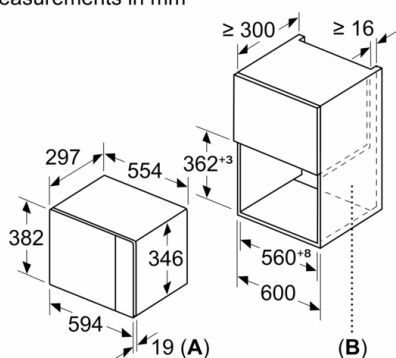


measurements in mm



\* 20 mm for metal fascia  
measurements in mm

Measurements in mm



A: 20 mm for metal fascia  
B: Back panel open