

**Series 6, washing machine,  
frontloader fullsize, 10 kg, 1400 rpm  
WGG254F0GB**



**Optional accessories**

WMZ2200 : Floor securing component  
 WMZ2381 : Extension for cold water inlet /Aquastop  
 WMZPW20W : Platform with pull-out, washer, cubic

**Perfect results at the minimum detergent  
and water consumption thanks to i-DOS  
automatic dosing and ActiveWater Plus.**

- **i-DOS:** automatically measures the precise amount of detergent and water needed.
- **Iron Assist:** reduce wrinkles up to 50%
- **Iron Assist:** reduce wrinkles up to 50%
- .
- **Best energy class A:** save energy with the most efficient class A.
- **Active Water Plus:** For highly efficient use of water even with smaller loads thanks to automatic load detection.
- **Speed Perfect:** perfectly clean in up to 65% less time
- **Speed Perfect:** perfectly clean in up to 65% less time
- .

**Technical Data**

Built-in / Free-standing: Free-standing  
 Door hinge: Left  
 Color / Material body: White  
 Length electrical supply cord: 210.0 cm  
 Height of the appliance: 845 mm  
 Dimensions of the product: 845x598x588 mm  
 Wheels: No  
 Net weight: 76.1 kg  
 Drum volume: 70 l  
 Connection Rating: 2300 W  
 Fuse protection: 10 A  
 Voltage: 220-240 V  
 Frequency: 50-60 Hz  
 Energy Star Qualified: No  
 Cord included: Yes  
 Plug type: GB plug  
 Length of supply hose (in): 59.05 "  
 Dimensions of the packed product: 34.25 x 25.59 x 26.77  
 Net weight: 168.000 lbs  
 Gross weight: 170.000 lbs  
 Length of drain hose: 150.00 cm  
 Length of supply hose: 150.00 cm  
 Dimensions of the packed product (HxWxD): 870 x 650 x 680 mm  
 Gross weight: 76.9 kg  
 Connection Rating: 2300 W  
 Fuse protection: 10 A  
 Voltage: 220-240 V  
 Frequency: 50-60 Hz  
 Water protection system: Multiple water protection  
 Maximum spin speed: 1400 rpm  
 Spin speed options: Variable  
 Digital countdown indicator: Yes  
 Progress indicator: LED, LED-display  
 Energy Efficiency Class (Regulation (EU) 2017/1369): A  
 Weighted energy consumption in kWh per 100 washing cycles of eco 40-60 programme: 51 kWh  
 Maximum capacity in kg: 10.0 kg  
 The water consumption of the eco programme in liters per cycle: 50 l  
 Duration of eco 40-60 programme in hours and mins at rated capacity: 3:50 h  
 Spin-drying efficiency class of eco 40-60 programme: B  
 Airborne acoustical noise emission class: B  
 Airborne acoustical noise emissions : 74 dB(A) re 1pW



## Series 6, washing machine, frontloader fullsize, 10 kg, 1400 rpm WGG254F0GB

### Perfect results at the minimum detergent and water consumption thanks to i-DOS automatic dosing and ActiveWater Plus.

#### Engine Power and Consumption

- Energy Efficiency Class<sup>1</sup>: A
- Energy<sup>2</sup> / Water<sup>3</sup>: 51 kWh / 50 litres
- Load capacity: 10 kg
- Programme duration<sup>4</sup>: 3:50 h:min
- Spin drying efficiency class: B
- Spin power / spin speed<sup>\*\*</sup>: 400 - 1400 U/min
- Noise level: 74 dB (A) re 1 pW
- Noise efficiency class: B

#### Programmes

- standard programmes: cottons, easy care, delicate/silk, wool / hand wash
- automatic programme: sensorcontrolled washing and dosage
- automatic programme: sensorcontrolled washing and dosage
- Iron Assist: Steam programme that reduces wrinkles on dry clothes
- Special programmes: automatic gentle, automatic, Drum Clean (with reminder), ironAssist, Hygiene, Spin / Drain, Family Mix, single rinse, Quick 15'/30'

#### Options

- SpeedPerfect: perfectly clean in up to 65% less time. \*\*\*
- i-DOS: automatic dosing of liquid detergent and softener
- Stain automatic – 4 stain removal options at the touch of a button
- TouchControl buttons: Easy Iron, end time delay, stain selection, i-DOS, start/pause with reload function, Temperature, SpeedPerfect, Prewash, Spin speed selection/ Rinse hold

#### comfort and safety

- Reload function: Be flexible in adding laundry items even after start of the wash cycle.
- Large LED-Display for programme status indication, max. spin speed, remaining time, 24 h end time delay and load recommendation
- Hygiene Plus: clean laundry and killing germs effectively
- XXL 70 l
- Usage meter: counts completed programmes
- VarioDrum: gentle and efficient washing
- DrumClean with reminder function
- 32 cm porthole, black-blackgrey with 160° opening door
- pause / reload function
- EcoSilence Drive: quiet motor with long lifetime
- 10 years guaranty on EcoSilence Drive
- ActiveWater Plus: for highly efficient use of water even with smaller loads thanks to automatic load detection.
- AntiVibration Design: more stability and quietness
- AquaSensor for optimum rinse results
- Aqua Protection
- soft dial
- Foam detection system to remove excessive foam
- Unbalanced load detection
- Child-proof lock
- Buzzer at the end of the programme
- Easy Cleaning Drawer

#### Technical Information

- Slide-under height of 85cm
- Dimensions (H x W): 84.5 cm x 59.8 cm
- Appliance depth: 58.8 cm
- Appliance depth incl. door: 63.2 cm
- Appliance depth with open door: 104.9 cm

<sup>1</sup> Scale of Energy Efficiency Classes from A to G

<sup>2</sup> Energy consumption in kWh per 100 cycles (in programme Eco 40-60)

<sup>3</sup> Weighted water consumption in litres per cycle (in programme Eco 40-60)

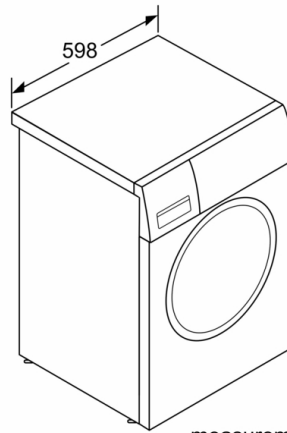
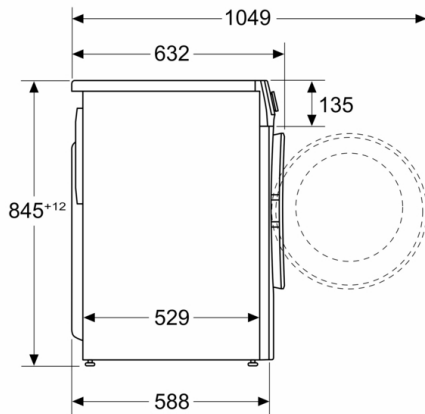
<sup>4</sup> Duration of programme Eco 40-60

\*\* Values are rounded.

\*\*\* Comparison between the program duration of Easy-care 40°C and the program duration of Easy-care 40°C + activated Speed option

**Series 6, washing machine, frontloader**  
**fullsize, 10 kg, 1400 rpm**  
**WGG254F0GB**

Measurements in mm



measurements in mm