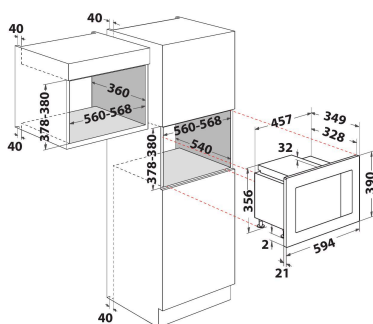


MWI 120 GX UK

12NC: F159145

GTIN (EAN) code: 8050147591451

Indesit
Life proof.



MAIN FEATURES

| | |
|---------------------------------------|-------------------|
| Product group | Microwave |
| Commercial code | MWI 120 GX UK |
| Main colour of product | Stainless steel |
| Type of micro-wave oven | MW+Grill function |
| Construction type | Built-in |
| Type of control | Electronic |
| Type of control settings | Digit |
| Additional cooking method Grill | Yes |
| Crisp | No |
| Steam | No |
| Additional cooking method Fan cooking | No |
| Clock | Yes |
| Automatic programmes | Yes |
| Height of the product | 390 |
| Width of the product | 594 |
| Depth of the product | 349 |
| Minimum niche height | 378 |
| Minimum niche width | 560 |
| Niche depth | 360 |
| Net weight (kg) | 12.6 |
| Cavity capacity (l) | 20 |
| Turntable | Yes |
| Turntable diameter (mm) | 245 |
| Integrated Cleaning system | No |

TECHNICAL FEATURES

| | |
|---|-----------------|
| Current (A) | 12 |
| Voltage (V) | 230-240 |
| Frequency (Hz) | 50 |
| Length of Electrical Supply Cord (cm) | 135 |
| Plug type | UK |
| Timer | Yes |
| Grill power (W) | 1000 |
| Type of grill | Quartz |
| Cavity material | Stainless steel |
| Interior light | Yes |
| Additional cooking method Grill | Yes |
| Position of interior lights of the cavity | Ceiling |

PERFORMANCES

| | |
|----------------------------------|-----|
| 6th Sense / Dynamic Intelligence | No |
| Number of power levels | 6 |
| Maximum micro-wave power (W) | 800 |
| Bread defrost | No |
| Jet defrost | Yes |
| Jet start | Yes |