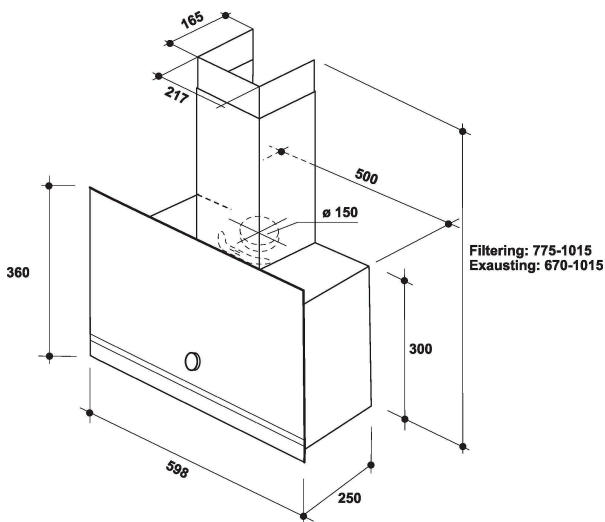
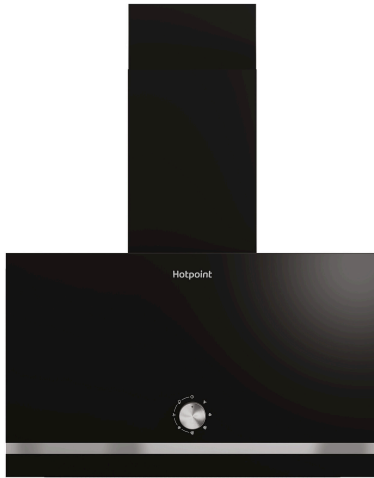


PHVP62FLMK

12NC: F167346

GTIN (EAN) code: 5054645673469

Hotpoint



MAIN FEATURES

Product group	Hood
Colour body	Black
Material body	Metal / glass
Colour chimney	Black
Material chimney	Metal
Typology	Manual
Installation type	Free-standing
Type of control	Mechanical
Type of control settings	-
Decor panel options	N/A
Motor location	Integrated motor in hood body
Operating Mode	Convertible
Electrical connection rating (W)	233
Current (A)	1
Voltage (V)	220-240
Frequency (Hz)	50
Length of Electrical Supply Cord (cm)	150
Plug type	UK
Chimney height (mm)	-
Height of product, without chimney (mm)	360
Height of the product	775
Width of the product	598
Depth of the product	250
Minimum niche height	0
Minimum niche width	0
Niche depth	0
Net weight (kg)	13.1

TECHNICAL FEATURES

Type of manual control devices	Monoknob
Type of automatic control devices	-
Number of motors	1
Total power of the motors (W)	230
Number of speed settings: boost option availability	3
Boost presence	No
Maximum output air extraction (m ³ /h)	485
Boost position air extraction (m ³ /h)	0
Maximum output recirculating air (m ³ /h)	490
Boost position output recirculating (m ³ /h)	0
Light Control Type	On/Off
Number of lights	1
Type of lamps used	Strip LED
Total power of the lamps (W)	3
Diameter of air outlet (mm)	150
No-return airflow flap	Yes
Grease filter material	Washable aluminium
Odour filter	Yes

PERFORMANCES

Sound power at min. speed (2010/30/EU)	51
Sound power at max. speed (2010/30/EU)	65
Noise level with boost position (dB(A) re 1 pW)	0