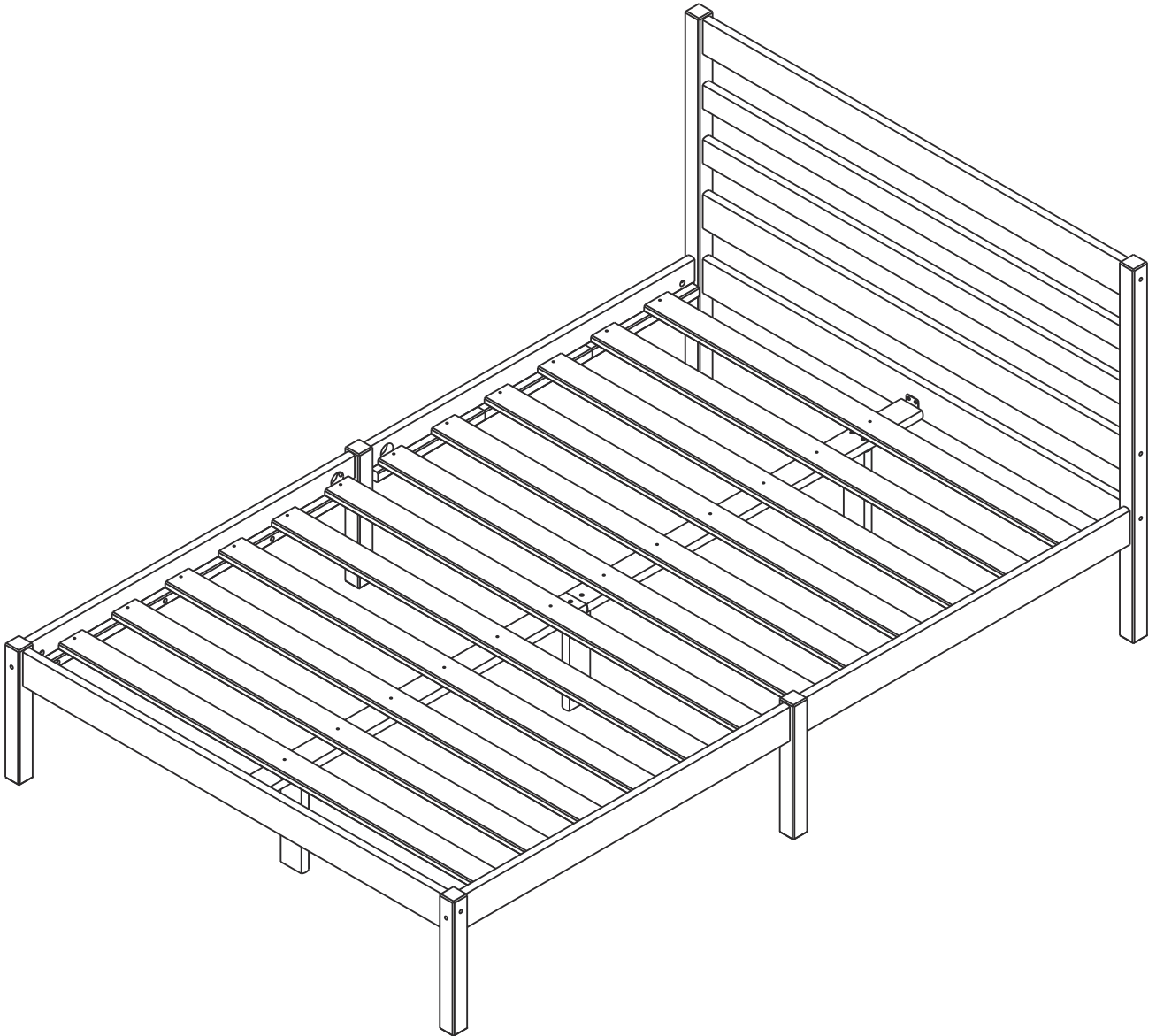


Kaycie




Spare Parts

 www.argos-support.co.uk

 Help@ClickSpares.co.uk

 0370 112 1928

Customer Support

 0345 640 2020



Safety and Care Advice

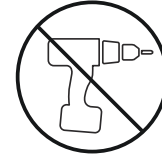
Product Details

4ft6 Pine 734/2338
4ft6 White 728/7840
4ft6 Black 433/7779

IMPORTANT! KEEP IT FOR FUTURE REFERENCE: READ CAREFULLY.

- Keep children and animals away from the work area, small parts could choke if swallowed.
- Make sure you have enough space to layout the parts before starting.
- This product has been constructed to be used in the domestic environment only and not for commercial purpose.

- Assemble the item as close to its final position (in the same room) as possible.
- Assemble on a soft level surface to avoid damaging the unit or your floor.



- We do not recommend the use of power drill/drivers for inserting screws as this could damage the unit. Only use hand screwdrivers.
- Parts of the assembly will be easier with 2 people.
- Dispose of all packaging carefully and responsibly.

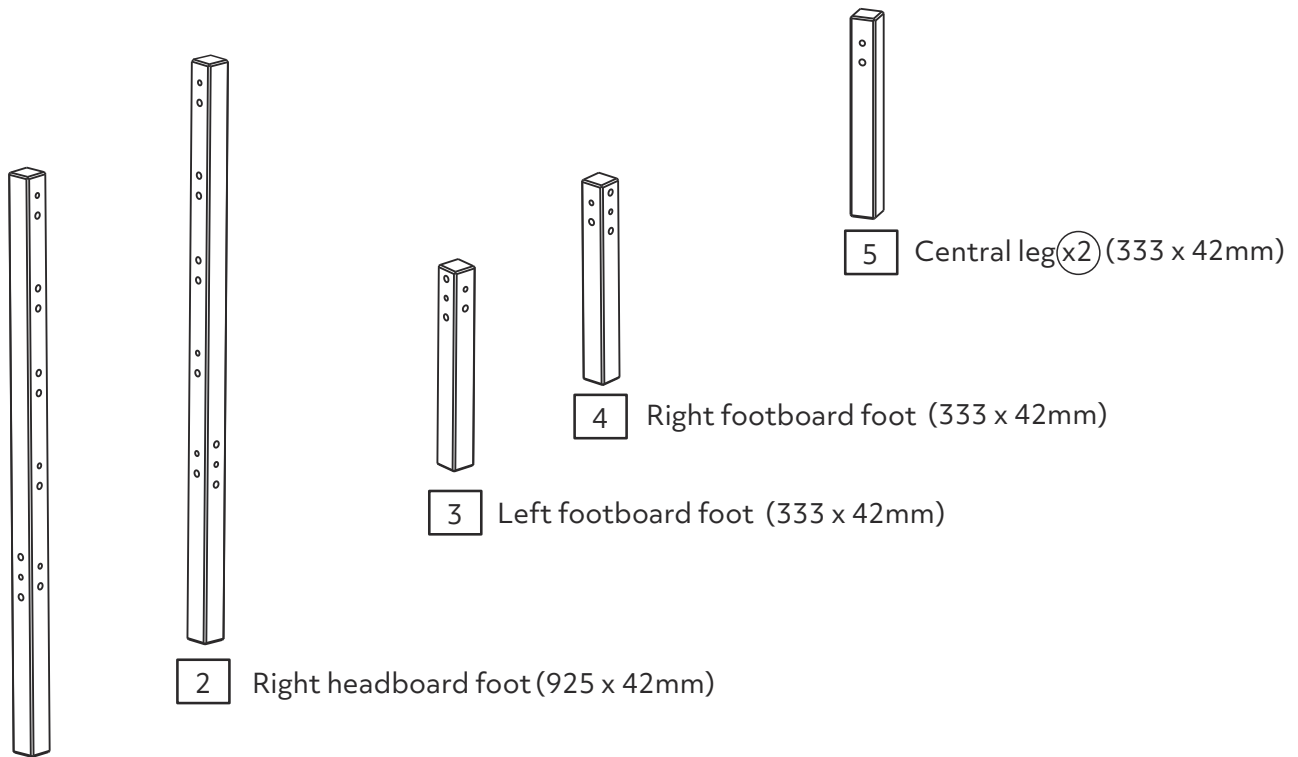
Care and maintenance

-
- Use a dry cloth to clean the product, furniture polish is not recommended.
 - From time to time check that there are no loose screws, nuts or bolts. If there are please re-tighten.
 - This product should not be discarded with household waste. Take to your local authority waste disposal centre.

Additional Guidance

-
- Assemble all parts and bolts loosely during assembly, only once the product is complete should you fully tightened the bolts.
 - Regularly check and ensure that all bolts and fittings are tightend properly.
 - Maximum user weight 100kg

Panels



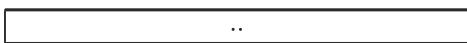
1 Left headboard foot (925 x 42mm)



6 Wide headboard rail (x2) (1349 x 90mm)



7 Narrow headboard rail (x2) (1349 x 65mm)



8 Headboard/ Footboard rail (x2) (1349 x 90cm)



9 Slats (x12) (1370 x 70mm)



10 Right side rail (x2) (929 x 90mm)



11 Left side rail (x2) (929 x 90mm)



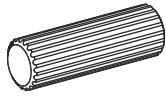
12 Central support (x2) (958 x 70mm)



13 Support foot (x3) (238 x 70mm)

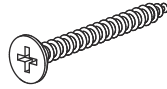
Fittings

A



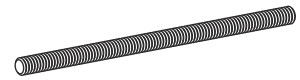
Wooden dowel x 30
10 x 40mm 10004

B



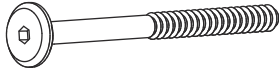
4 x 35mm Screw x 36
9013

C



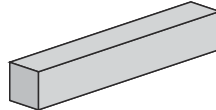
Headless bolt 1/4 x 155mm x 2
9304

D



7 x 80mm Bolt x 8
Cab. 17 9114

E



82mm Spacer x 2
11507

F



Nut 1/4 x 4
6100

G



Washer x 4
6001

H



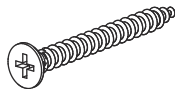
Spanner x2

I



Hex key x 1

J



4 x 50mm Screw x 6
9017

K



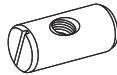
3.5 x 16mm Screw x 8
9002

L



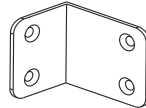
1/4 x 90mm Bolt x 4
Cab. 17 9205

M



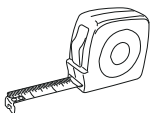
1/4 Half moon nut x 4
11302

N

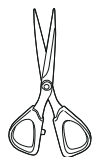


Metal bracket x 2
3003

Tools required



Ruler/tape
measure



Scissors

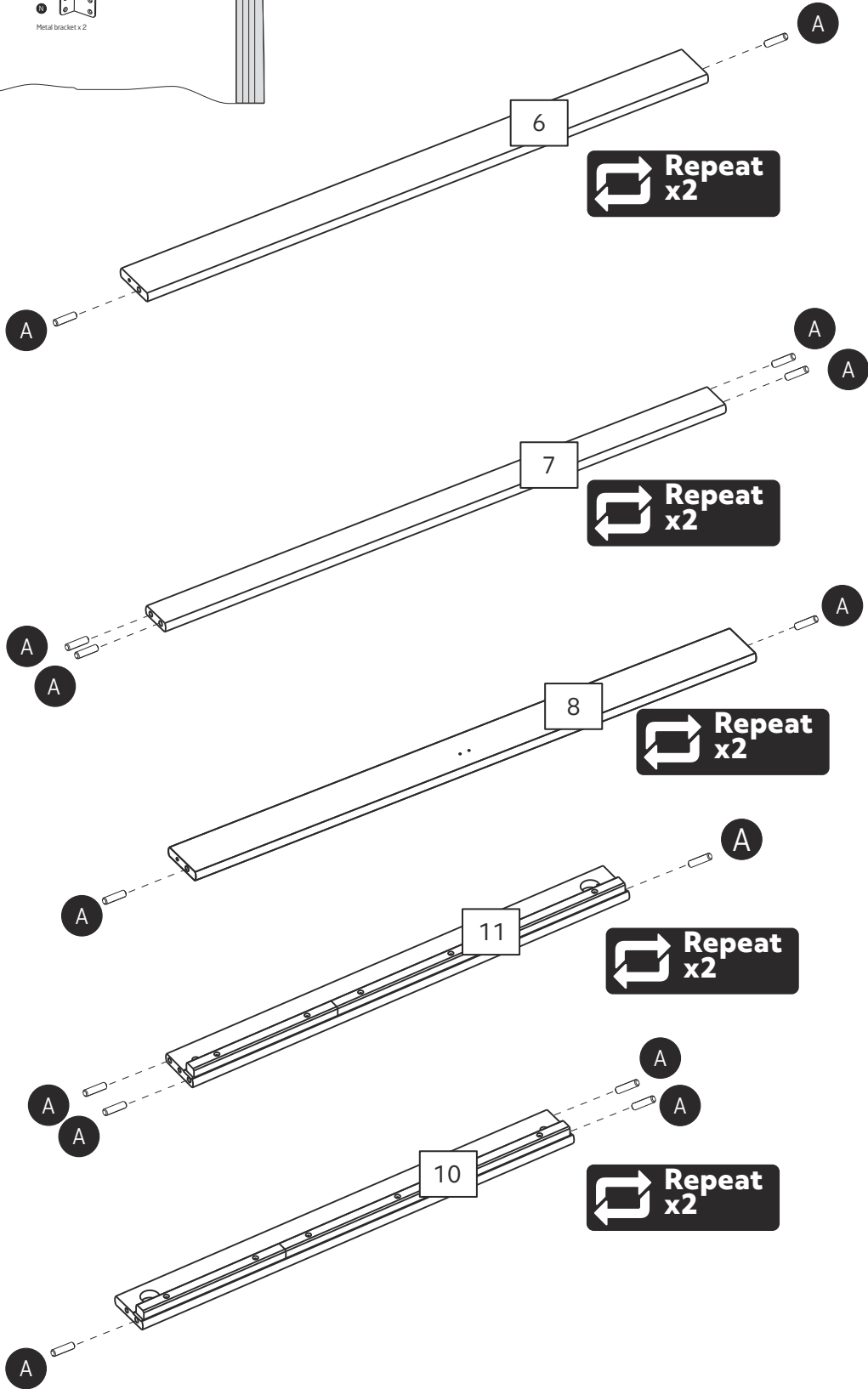
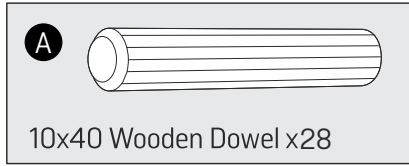
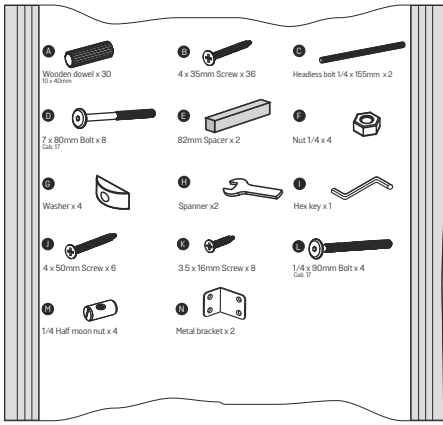


Cross-head screwdriver
(small & medium)

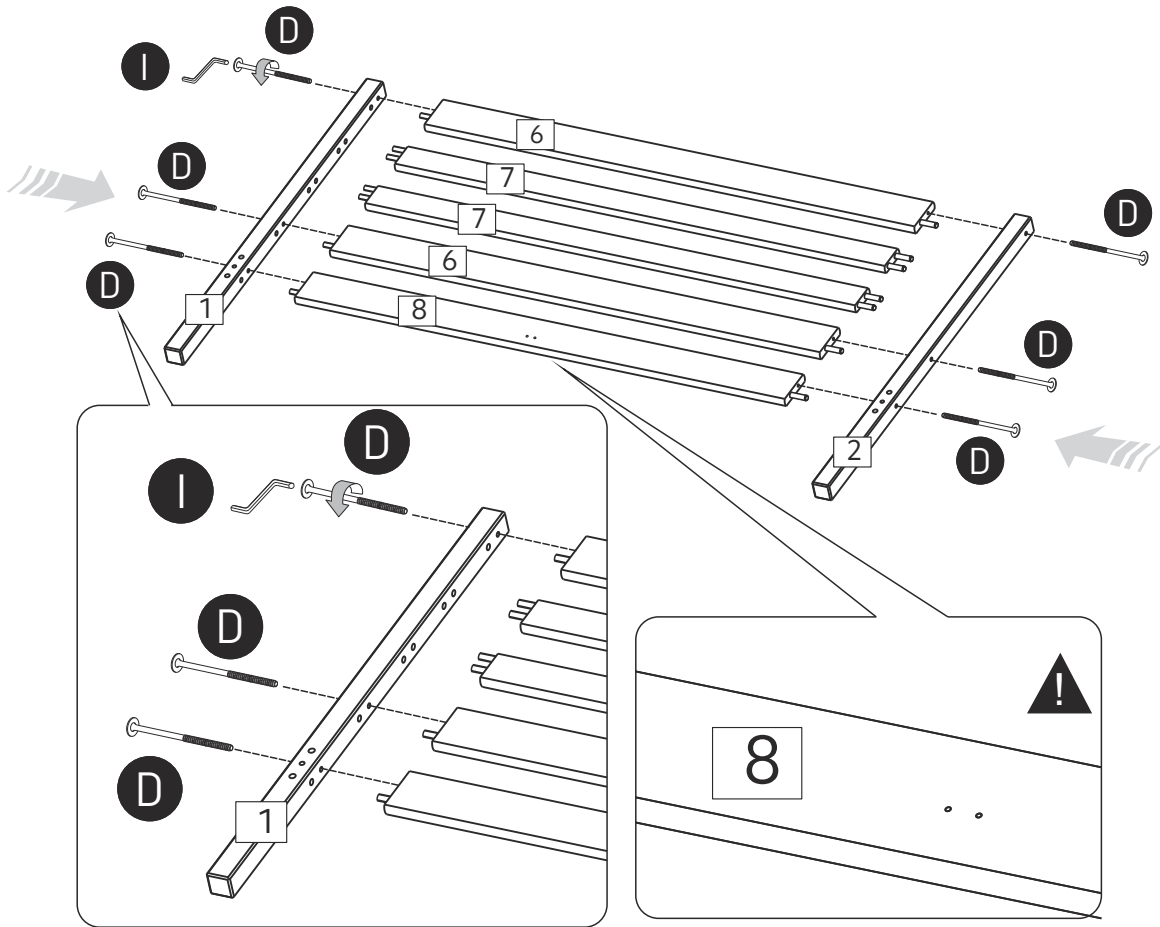
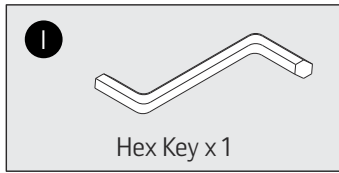
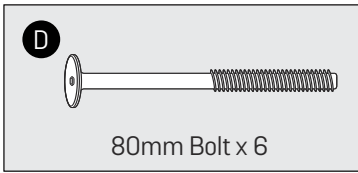


Small
hammer

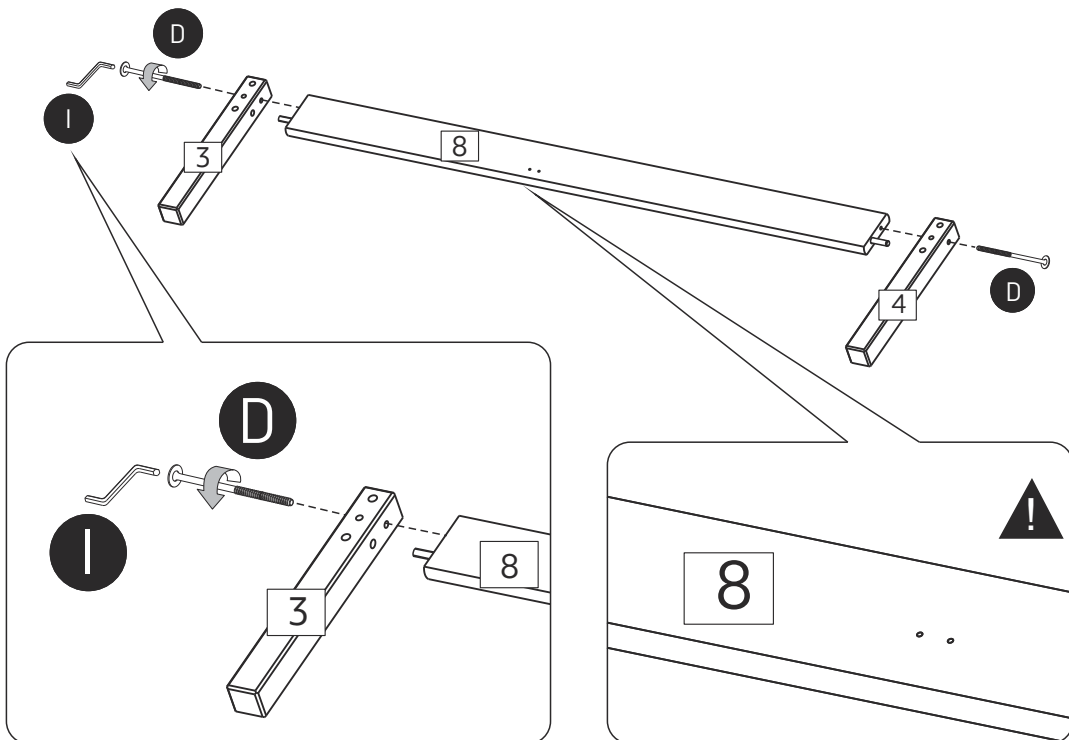
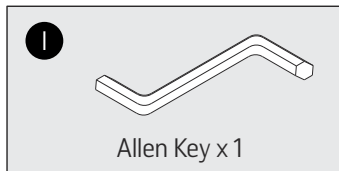
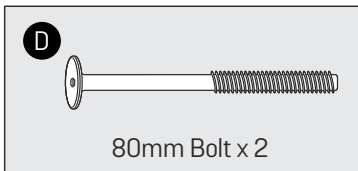
1



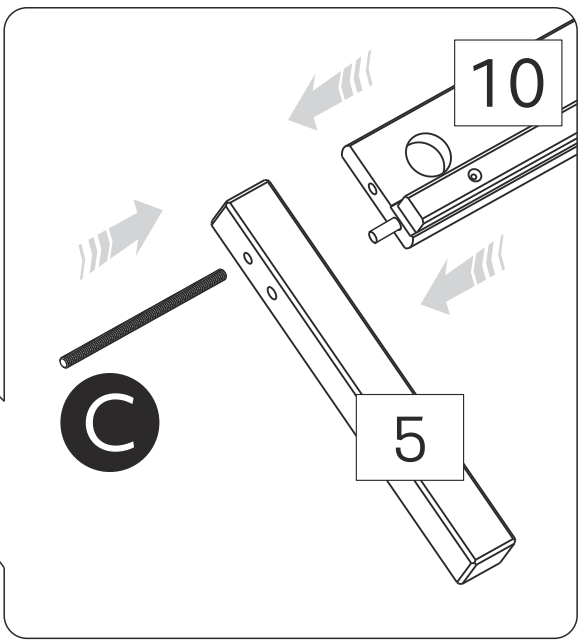
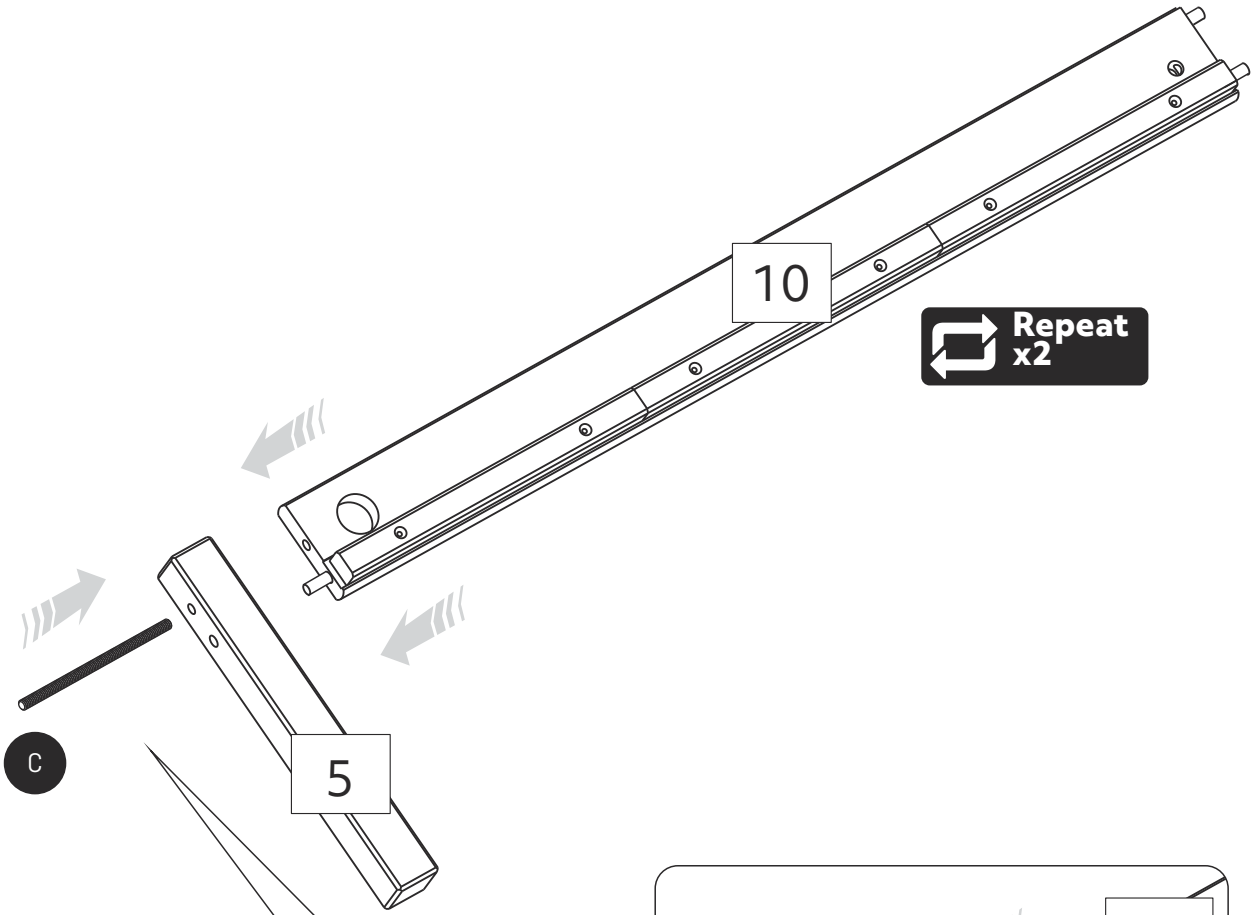
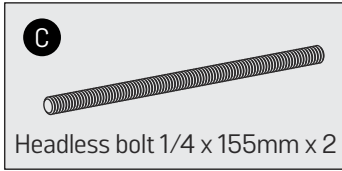
2



3





4




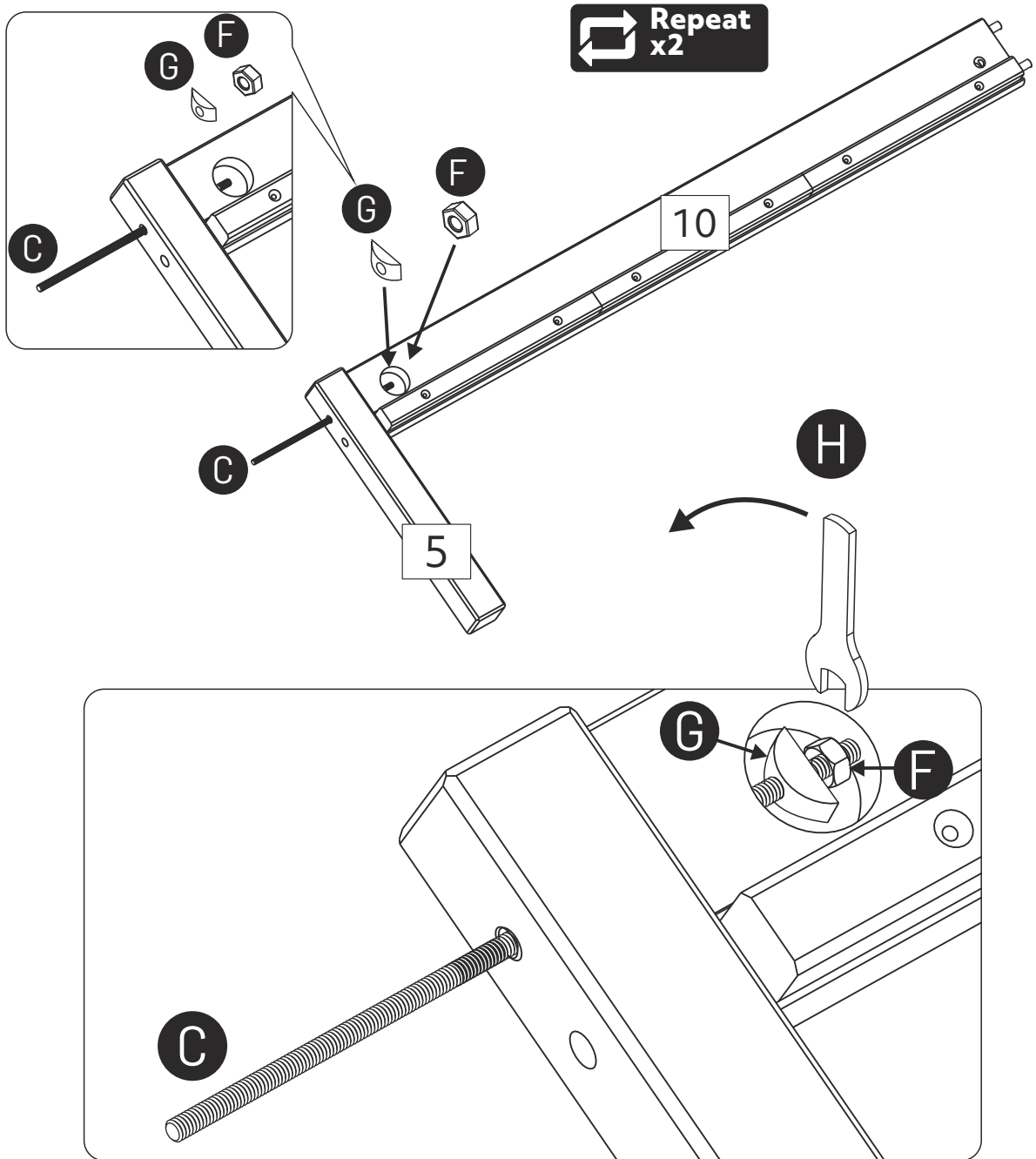
Repeat x2

5


F 
Nut 1/4 x 2


G 
Washer x 2


H 
Spanner x1

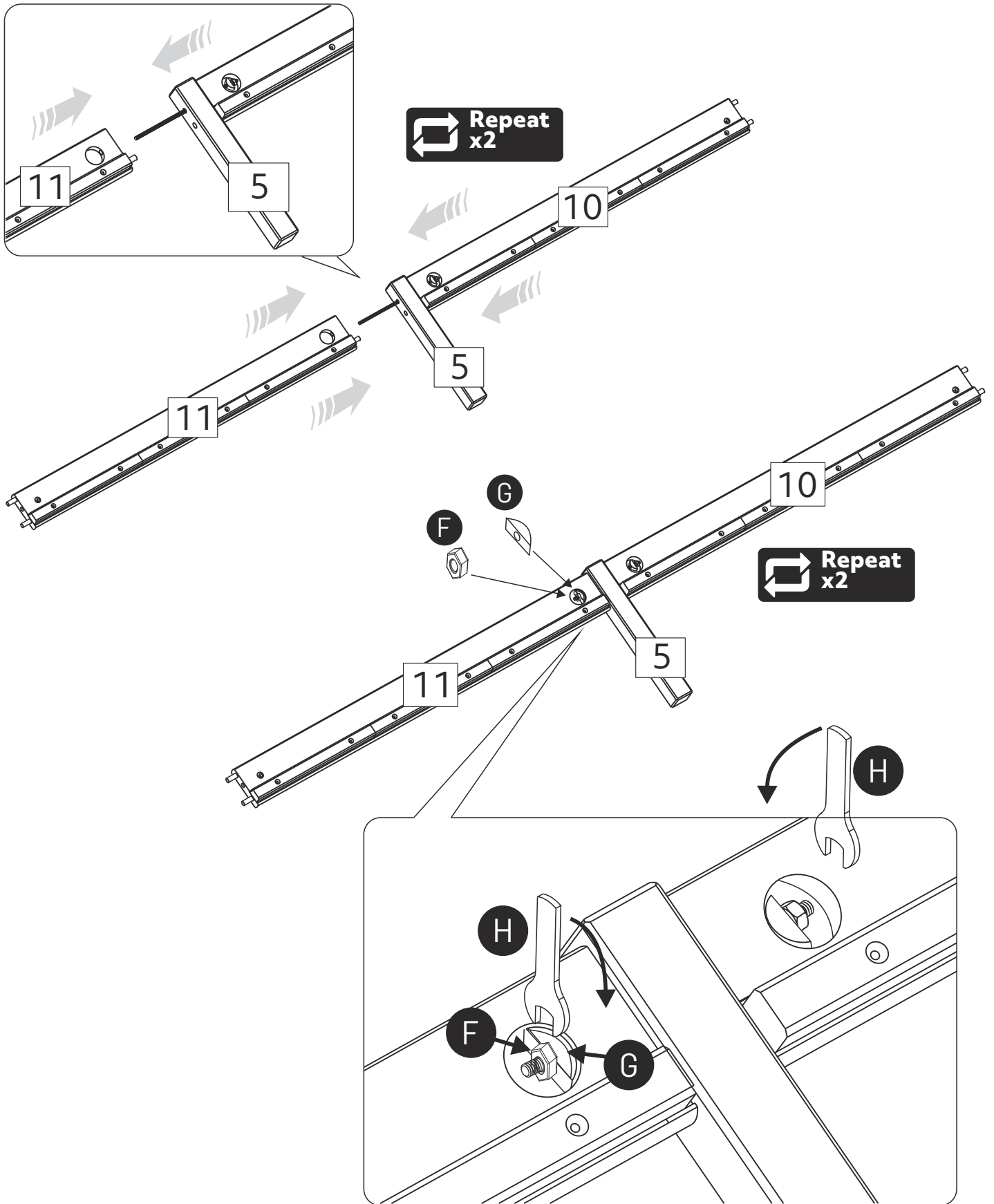


6

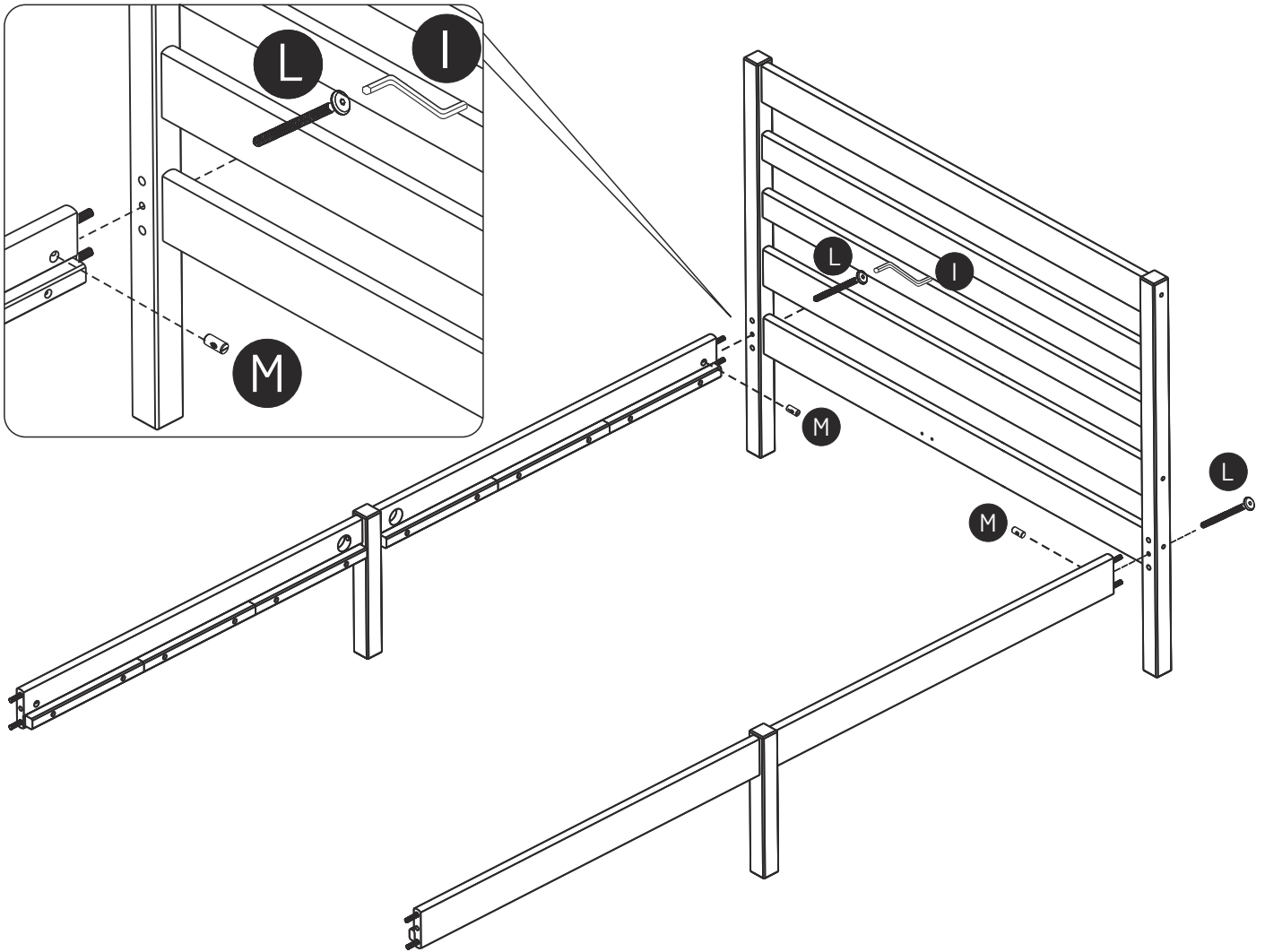
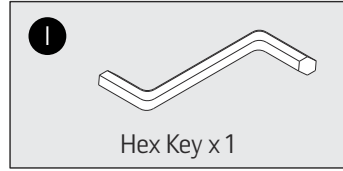
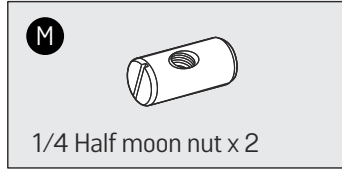
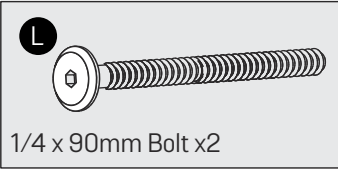
F 
Nut 1/4 x 2

G 
Washer x 2

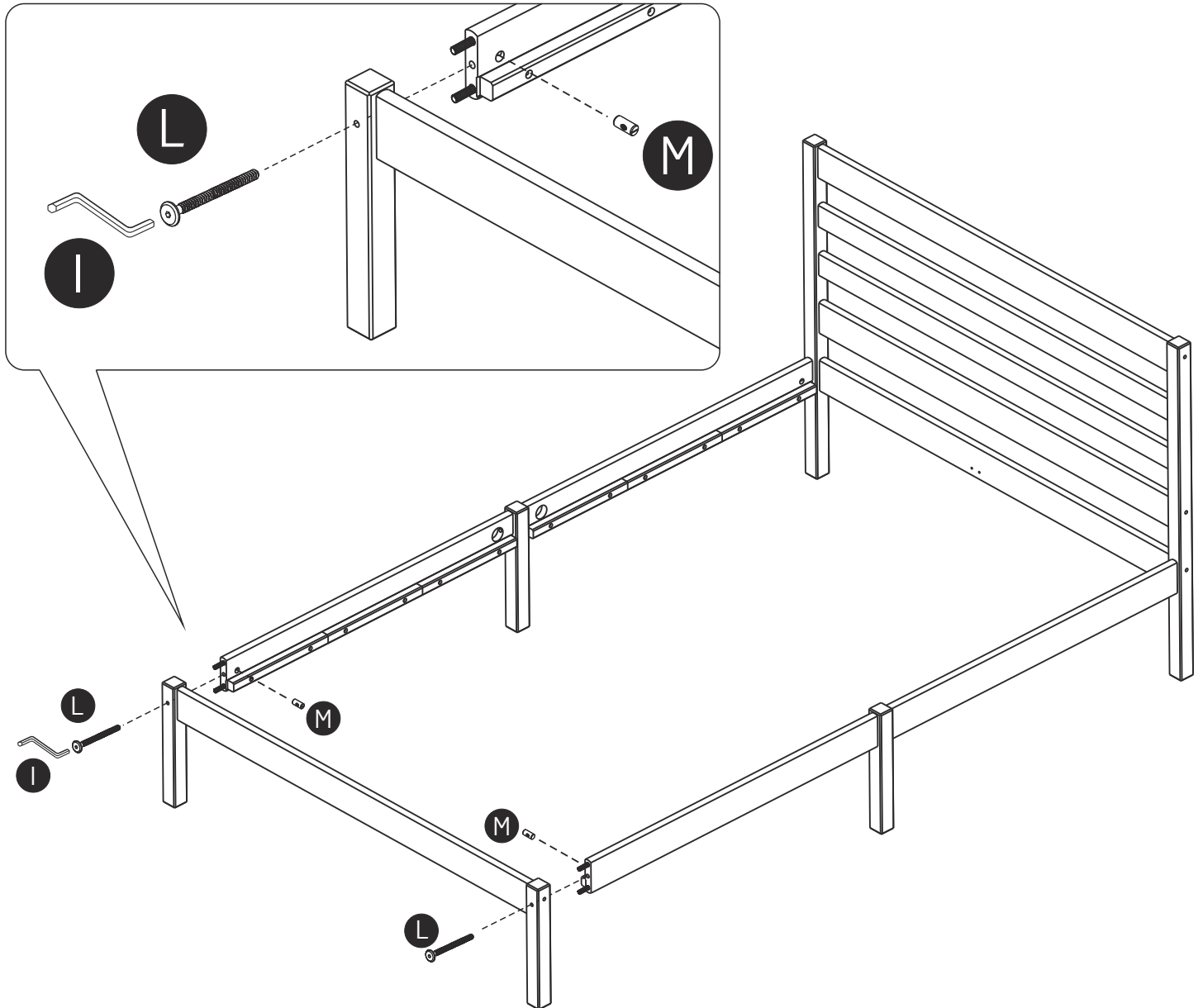
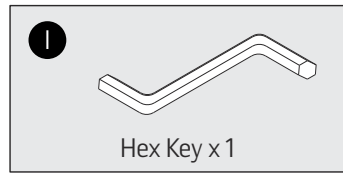
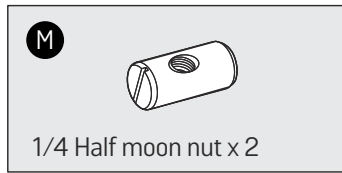
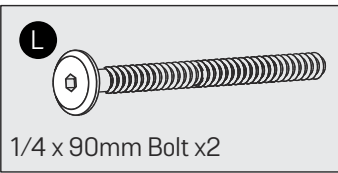
H 
Spanner x1



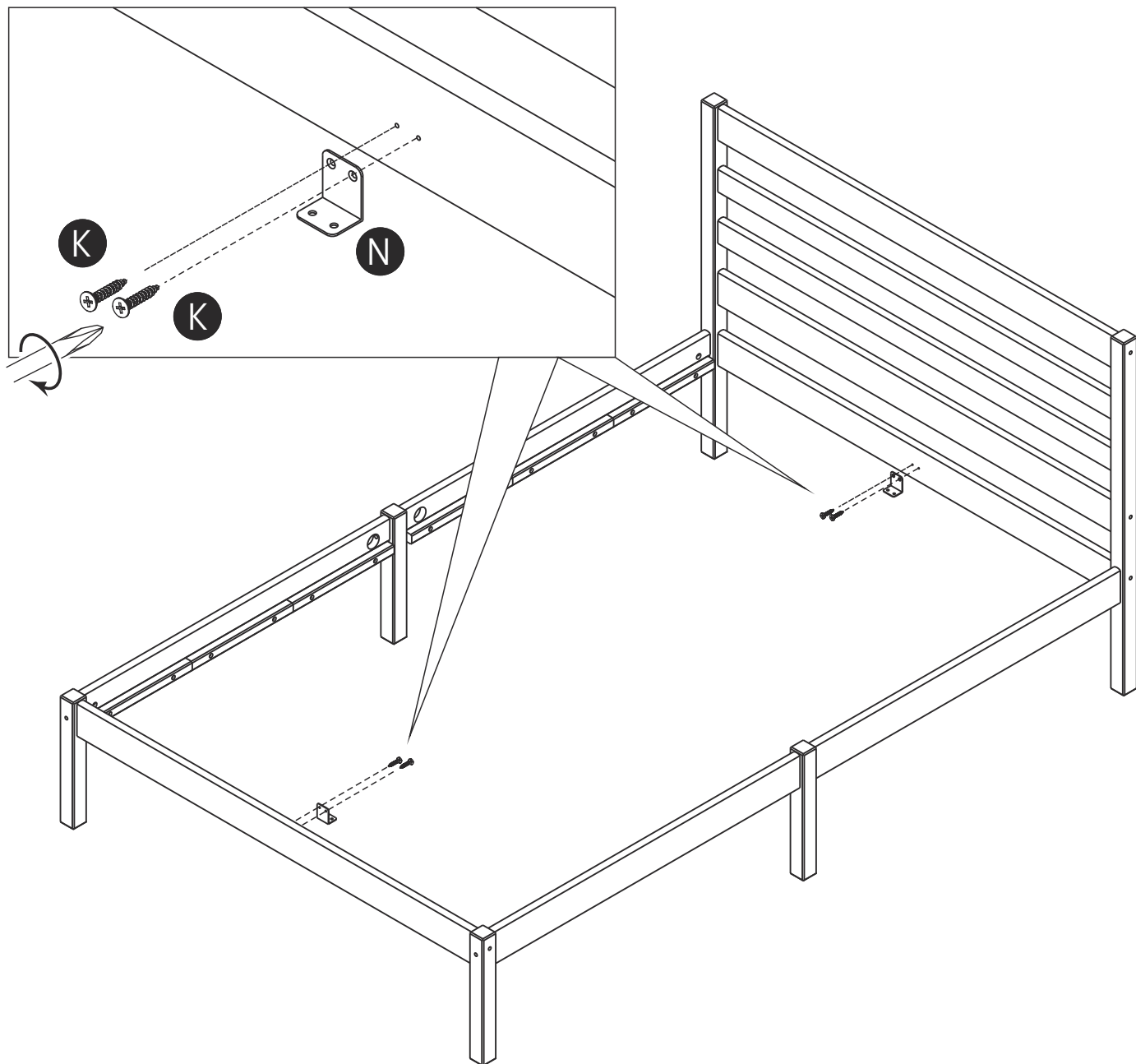
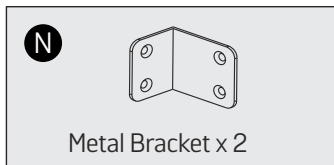
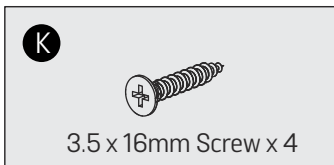
7



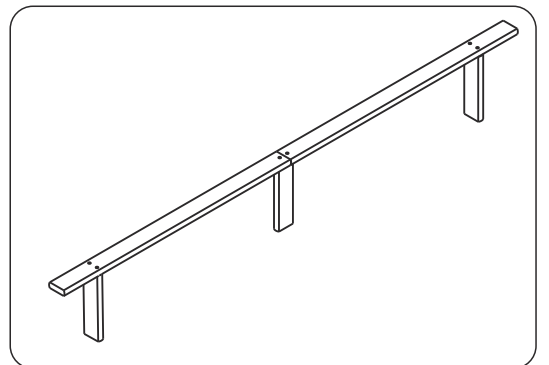
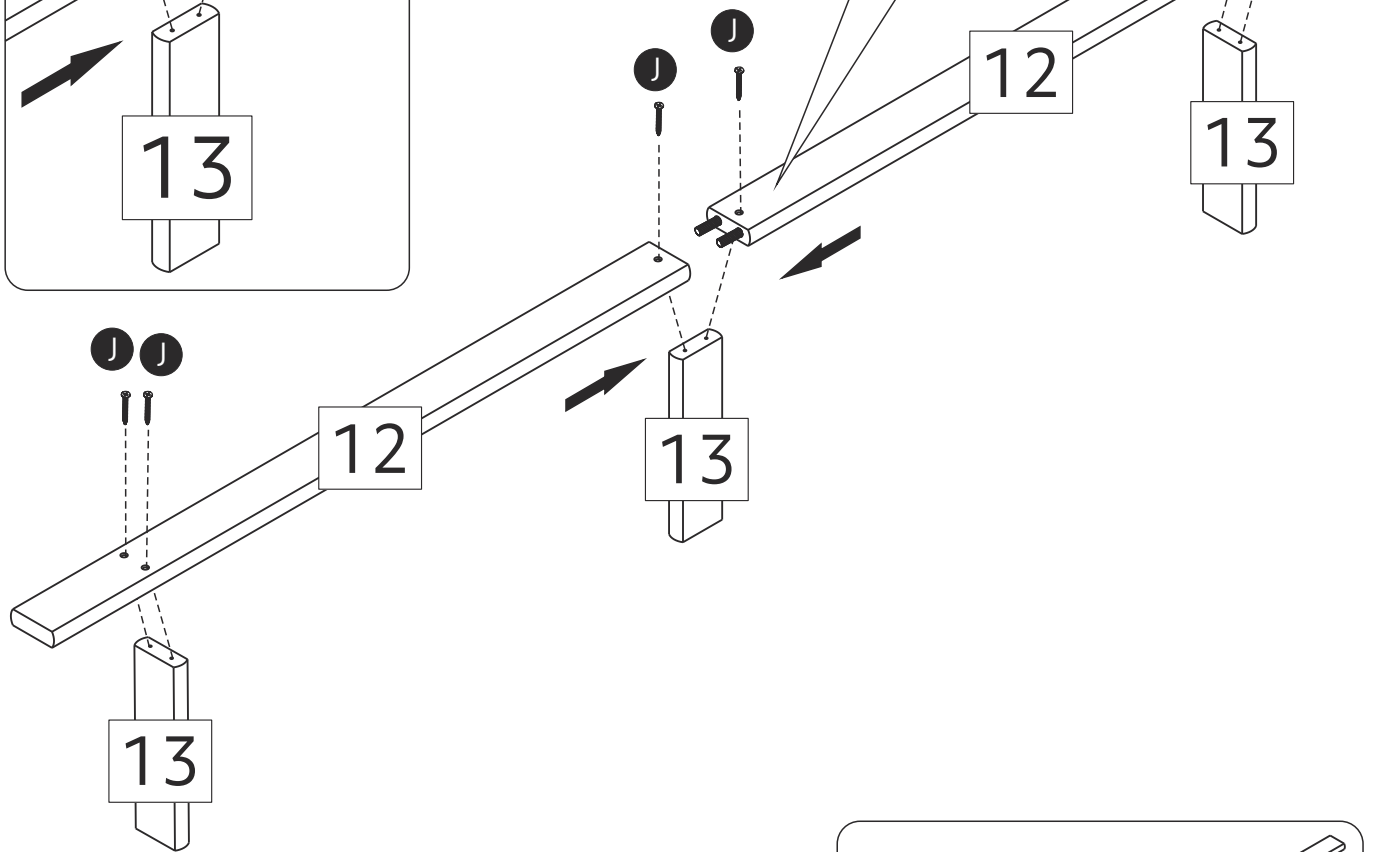
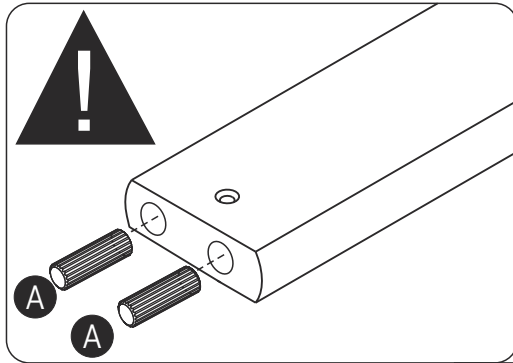
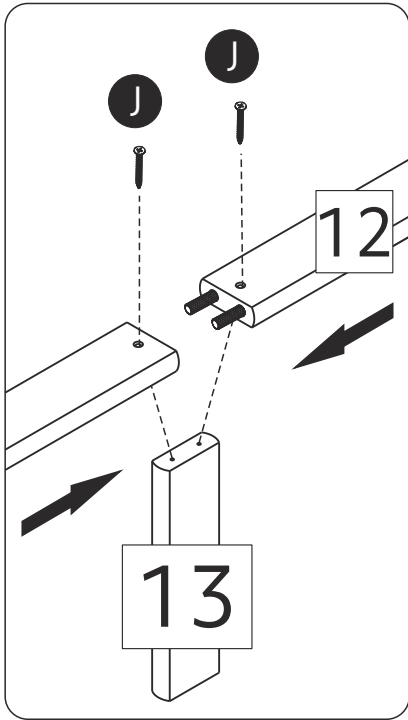
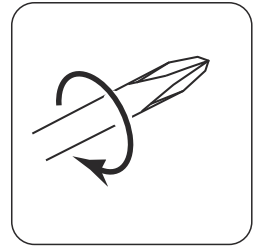
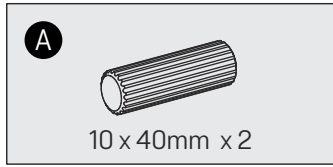
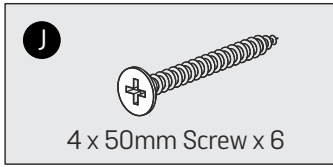
8



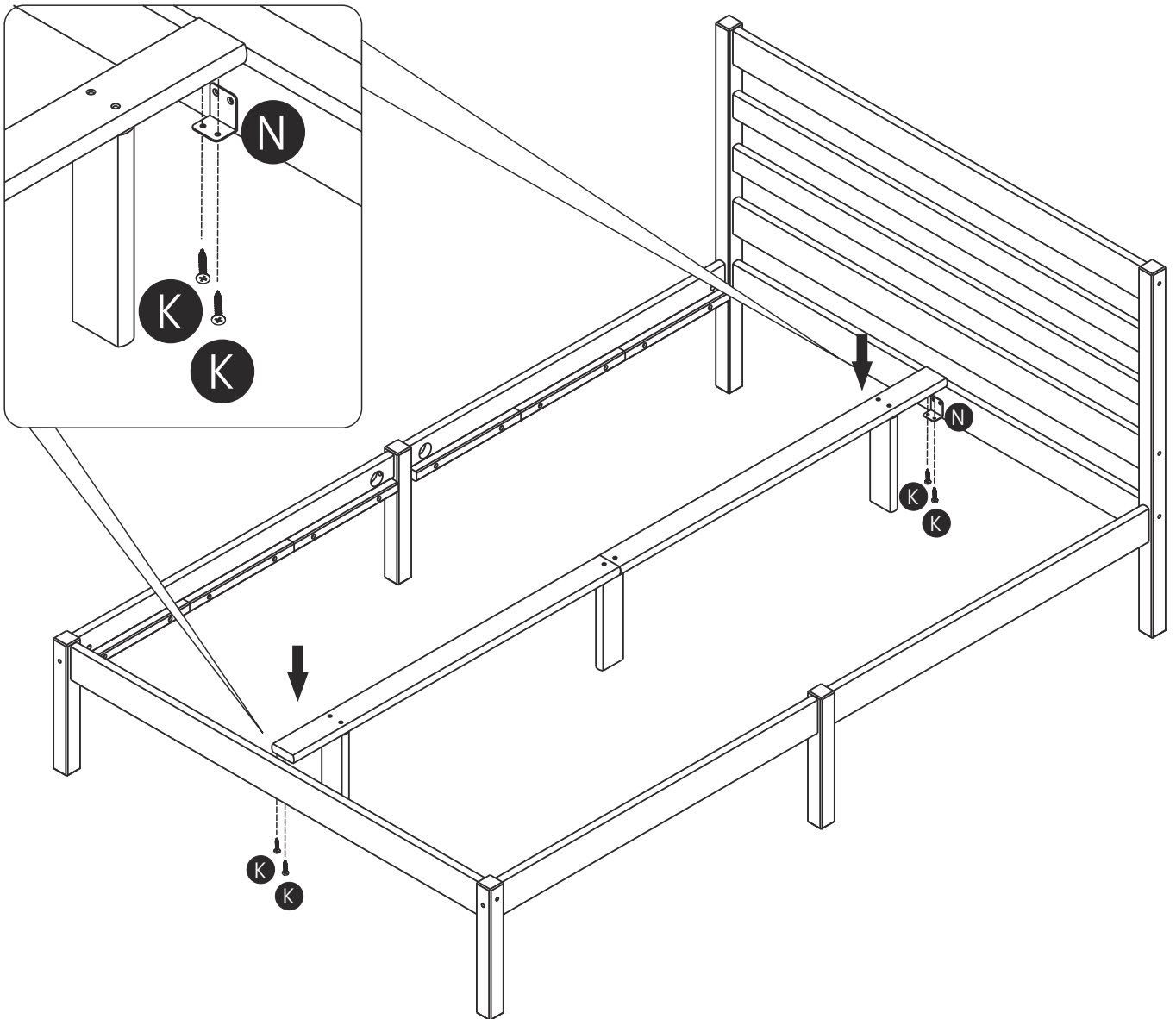
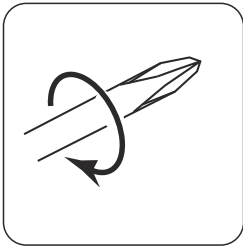
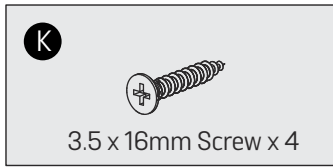
9



10



11



12

