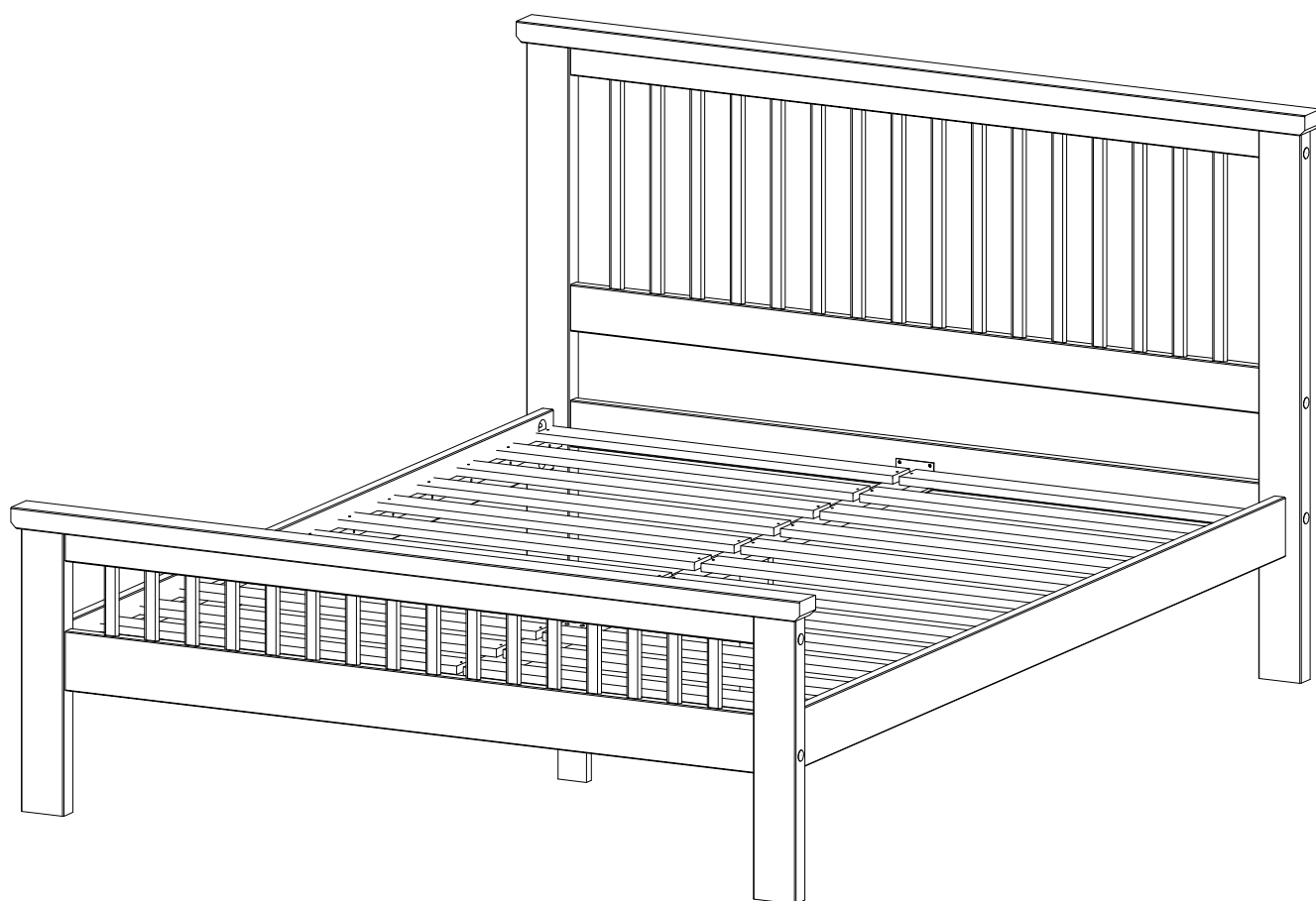



# Aubrey



## Spare Parts

 [www.argos-support.co.uk](http://www.argos-support.co.uk)

 [Help@ClickSpares.co.uk](mailto:Help@ClickSpares.co.uk)

 0370 112 1928

## Customer Support

 0345 640 2020



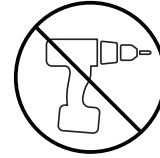
# Safety and CareAdvice

---

<b>Product Details</b>	AUBREY 5.0 FT WHITE	4192897
	AUBREY 5.0 FT OAK	3675676
	AUBREY 5.0 FT TWO TONE	3345676
	AUBREY 5.0 FT CCOAL	3417229
	AUBREY 5.0 FT SG	3426533

## IMPORTANT, RETAIN FOR FUTURE REFERENCE: READ CAREFULLY.

- Keep children and animals away from the work area, small parts could choke if swallowed.
- Assemble the item as close to its final position (in the same room) as possible.
- Assemble on a soft level surface to avoid damaging the unit or your floor.
- We do not recommend the use of power drill/drivers for inserting screws as this could damage the unit. Only use hand screwdrivers.
- Parts of the assembly will be easier with 2 people.
- Dispose of all packaging carefully and responsibly.



## Care and maintenance

---

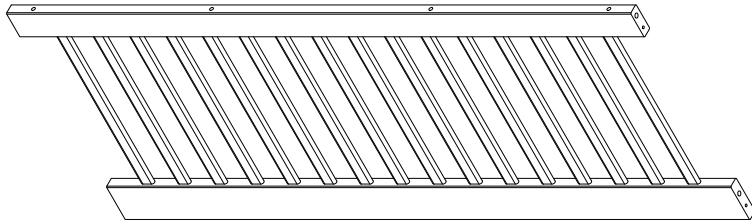
- Use a dry cloth to clean the product, furniture polish is not recommended.
- From time to time check that there are no loose screws, nuts or bolts. If there are please re-tighten.
- This product should not be discarded with household waste. Take to your local authority waste disposal centre.

## Additional Guidance

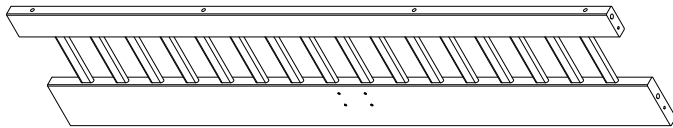
---

- Assemble all parts and bolts loosely during assembly, only once the product is complete should you fully tighten the bolts.
- Regularly check and ensure that all bolts and fittings are tightend properly.
- Maximum user weight 100kg
- This product is compliant En1725

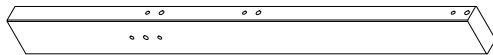
# Panels



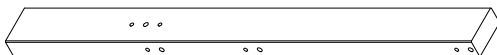
1 Headboard Grid  
(1458 x 558mm)



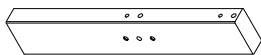
2 Footboard Grid  
(1458 x 314mm)



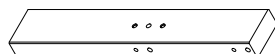
3 Headboard Right Foot  
(1060 x 90mm)



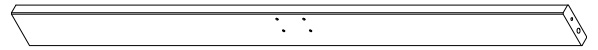
4 Headboard Left Foot  
(1060 x 90mm)



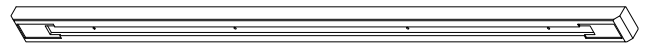
5 Footboard Right Foot  
(550 x 90mm)



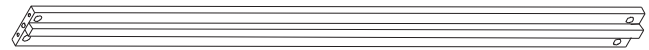
6 Footboard Left Foot  
(550 x 90mm)



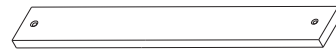
7 Headboard Bottom Rail  
(1458 x 90mm)



8 Top Rail  
(1668 x 65mm) (x2)



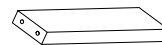
9 Side Rail  
(2000 x 115mm) (x2)



10 Slats  
(755 x 68mm) (x26)



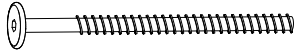
11 Central Support  
(2000 x 60mm)



12 Support Foot  
(278 x 60mm) (x2)

# Fittings

**A**



80mm Bolt x 8  
9203F

**B**



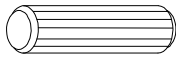
Half-Moon Nut 1/4 x 04  
6000

**C**



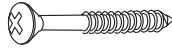
Allen Key

**D**



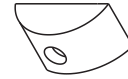
40mm Wooden dowel x 14  
10004

**E**



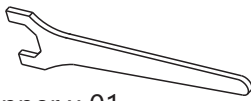
35mm Screw x 52  
9013

**F**



Washer 1/4 x 04  
6001

**G**



Spanner x 01

**H**



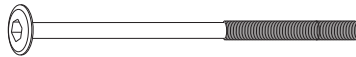
Nut 1/4 x 06  
6100

**I**



70mm Headless Bolt x 04  
9301

**J**



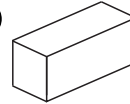
90mm Bolt 1/4 x 04  
9205

**K**



Screw 16mm x 08  
9002

**L**



Spacer 92mm x 02  
11502

**M**



Screw Cap x 10

**N**



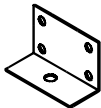
120mm Bolt x 10  
9207D

**O**



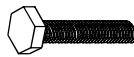
50mm Bolt x 04  
9109

**P**



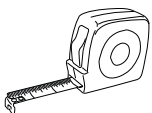
80mm L Shaped Bracket x 02  
3002

**Q**

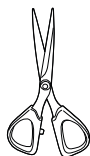


40mm Bolt 1/4 x 02  
9127

## Tools required



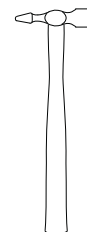
Ruler/tape  
measure



Scissors



Phillips screwdriver  
(small & medium)



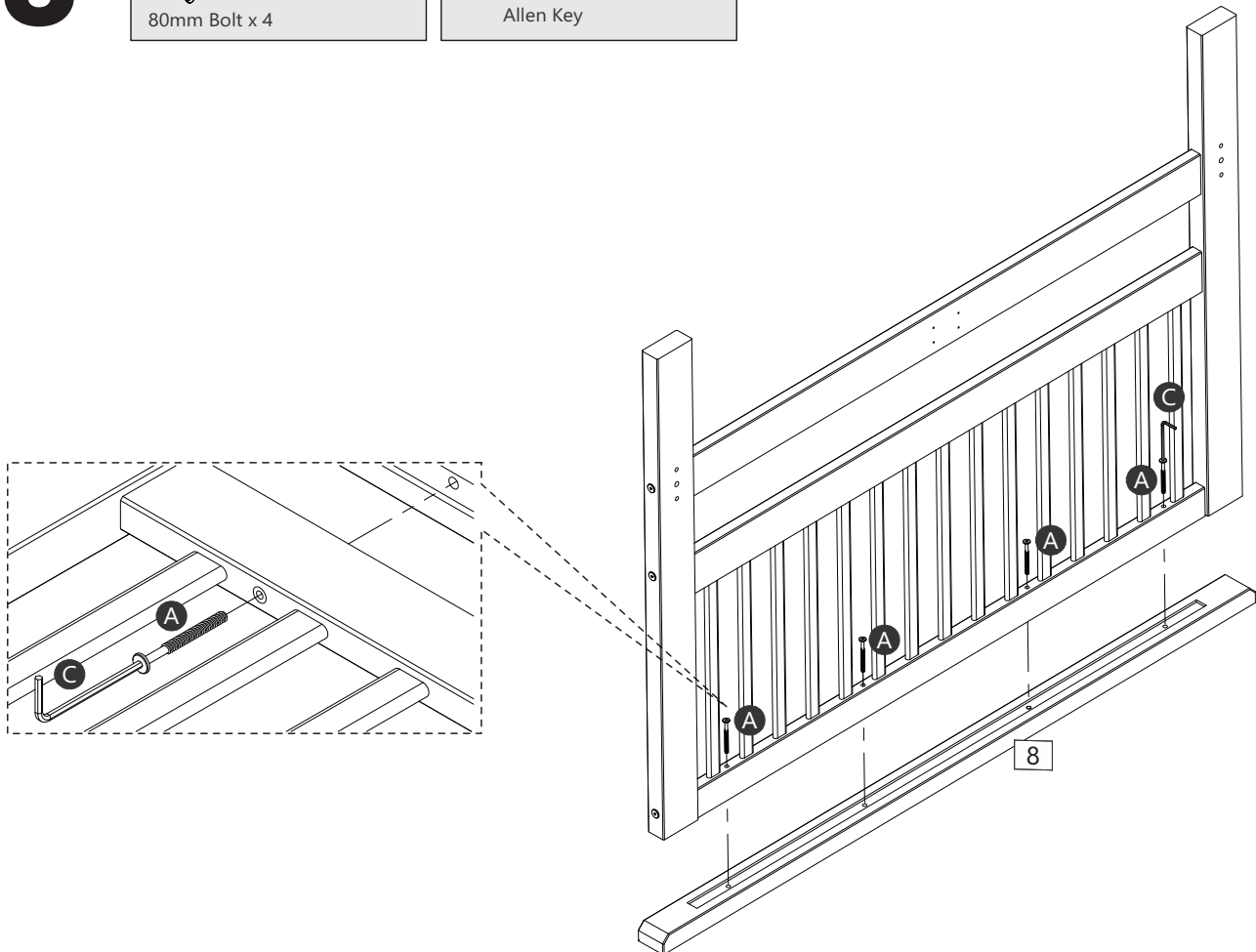
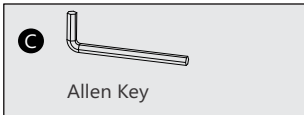
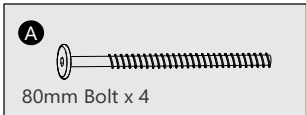
Small  
hammer



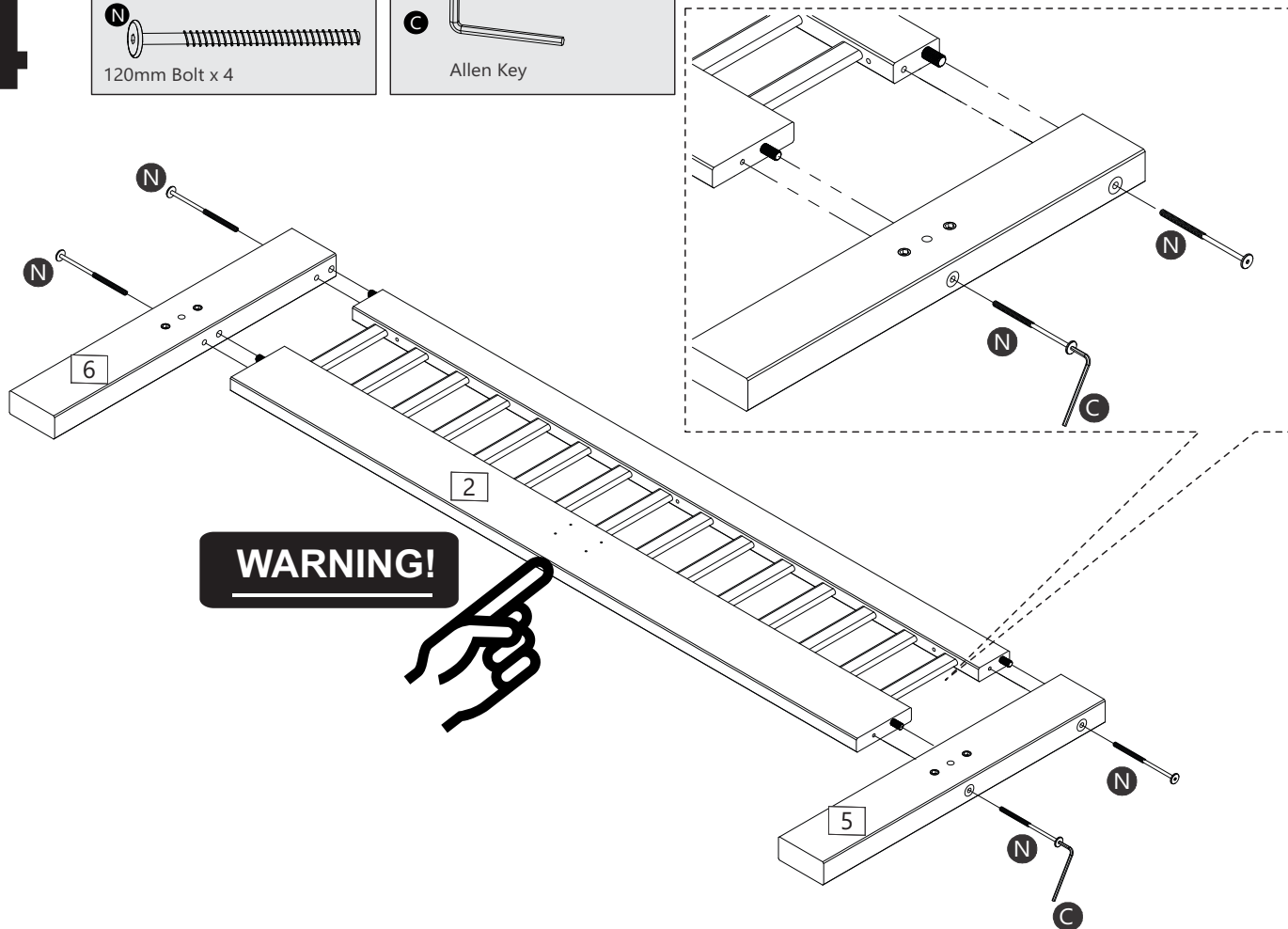
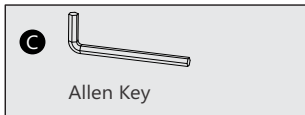
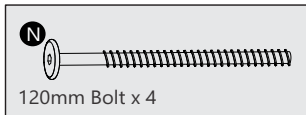
Eye protection  
(when using a  
hammer or glue)



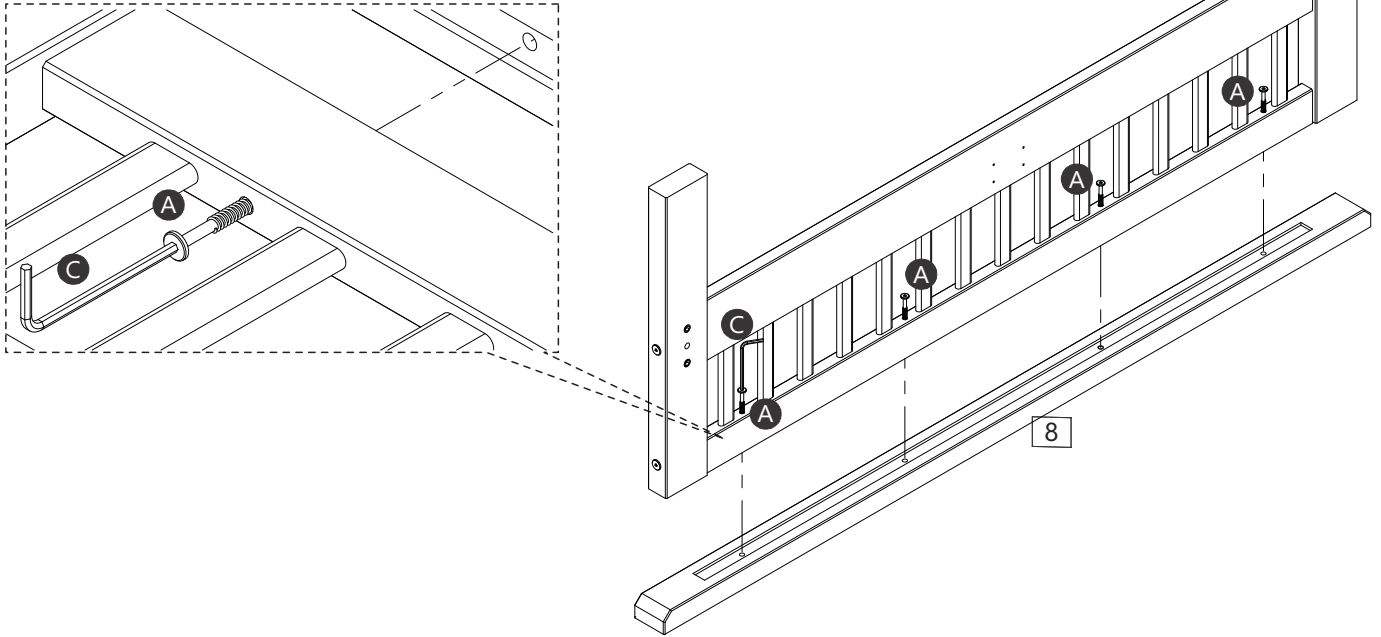
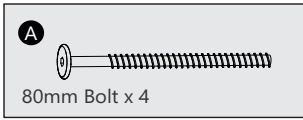
# 3



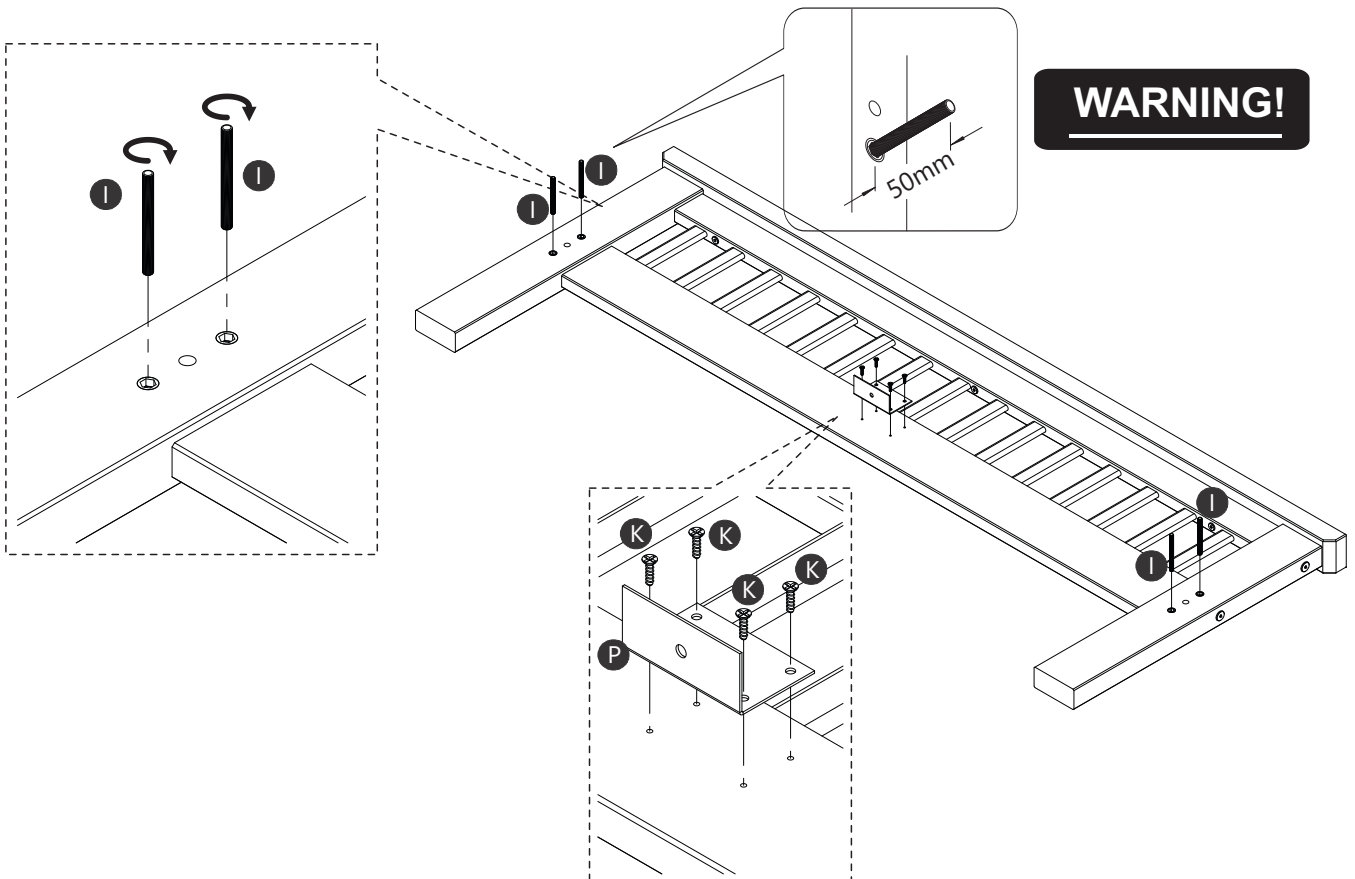
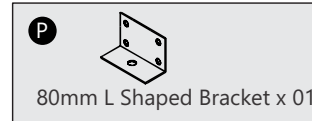
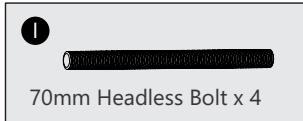
# 4




# 5




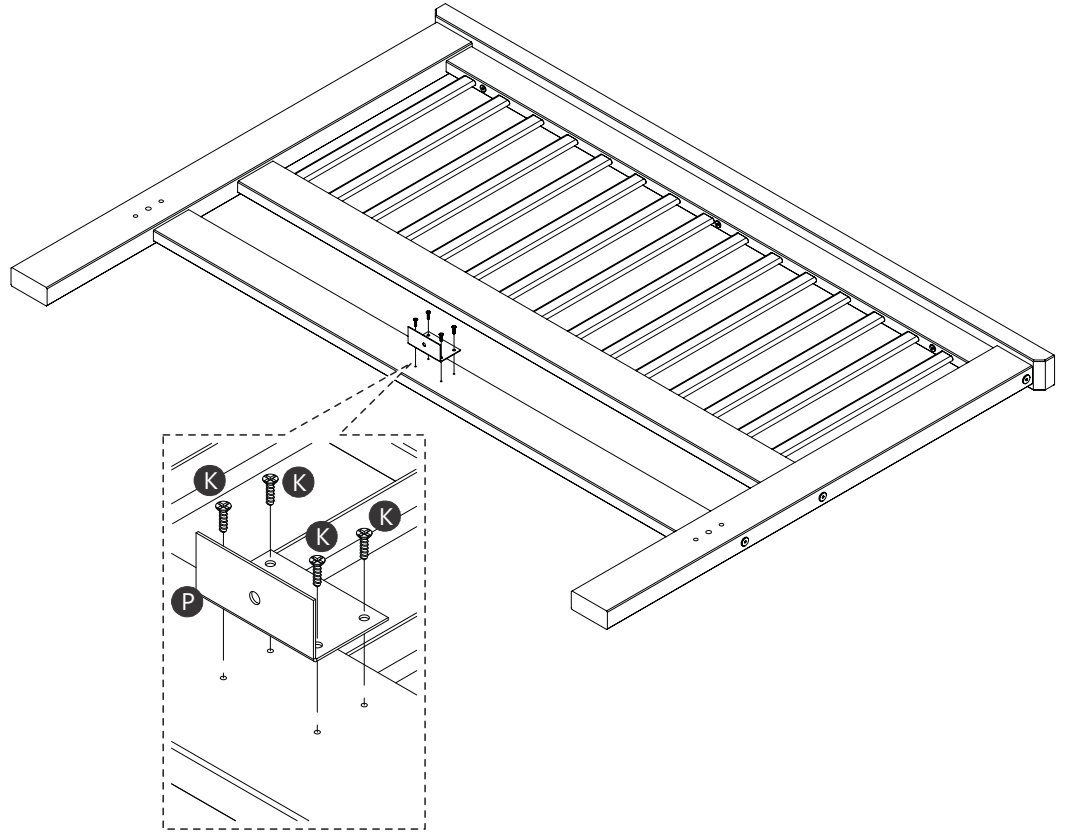
# 6



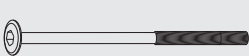
# 7

**K**   
Screw 16mm x 04


**P**   
80mm L Shaped Bracket x 01

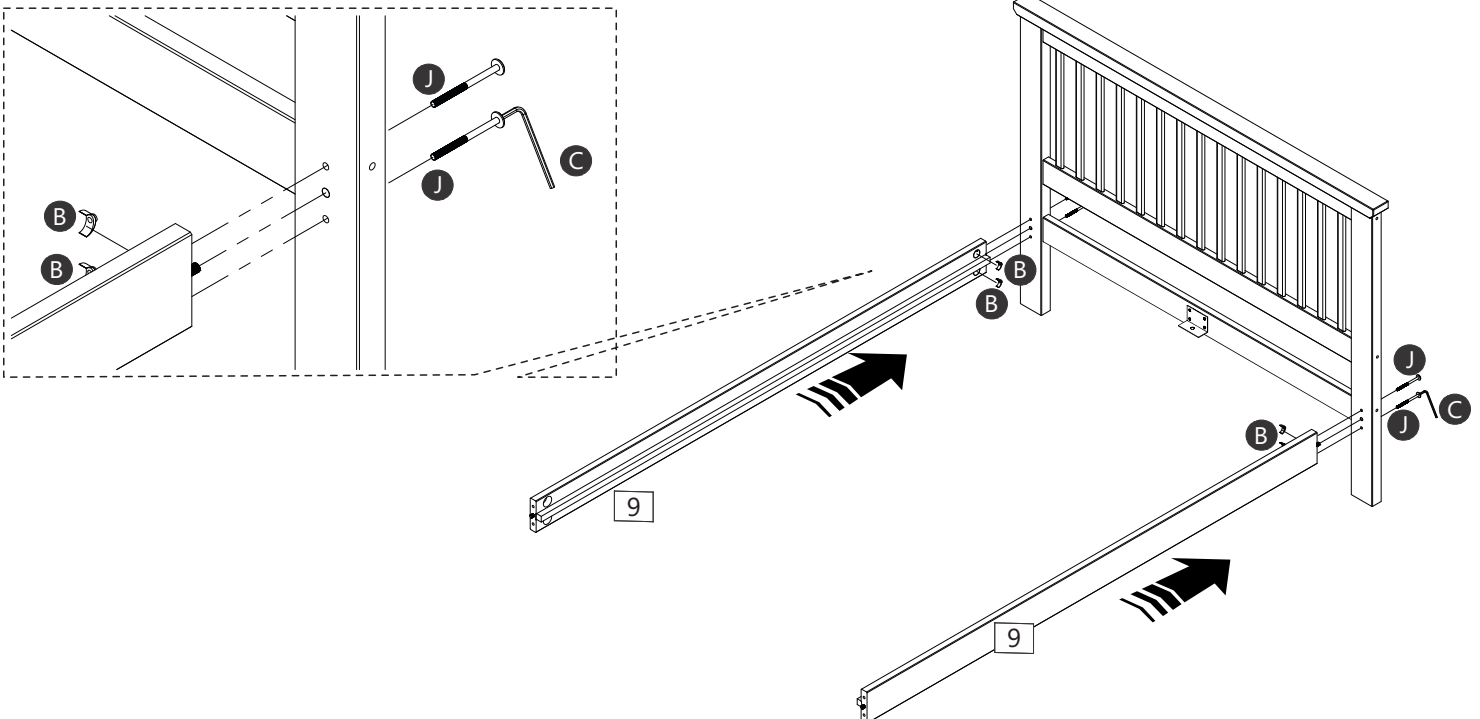


# 8

**J**   
90mm Bolt 1/4 x 4

**B**   
Half-Moon Nut 1/4 x 04

**C**   
Allen Key





# 9

**H**

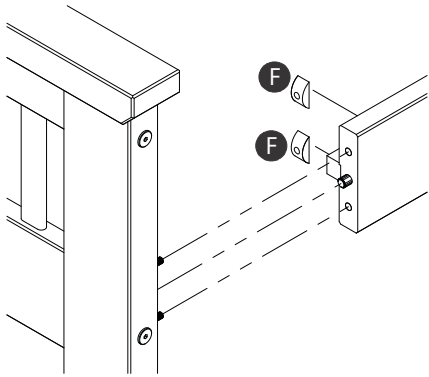
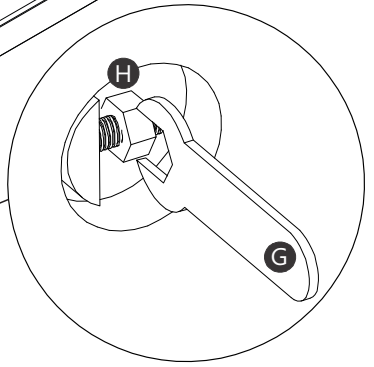
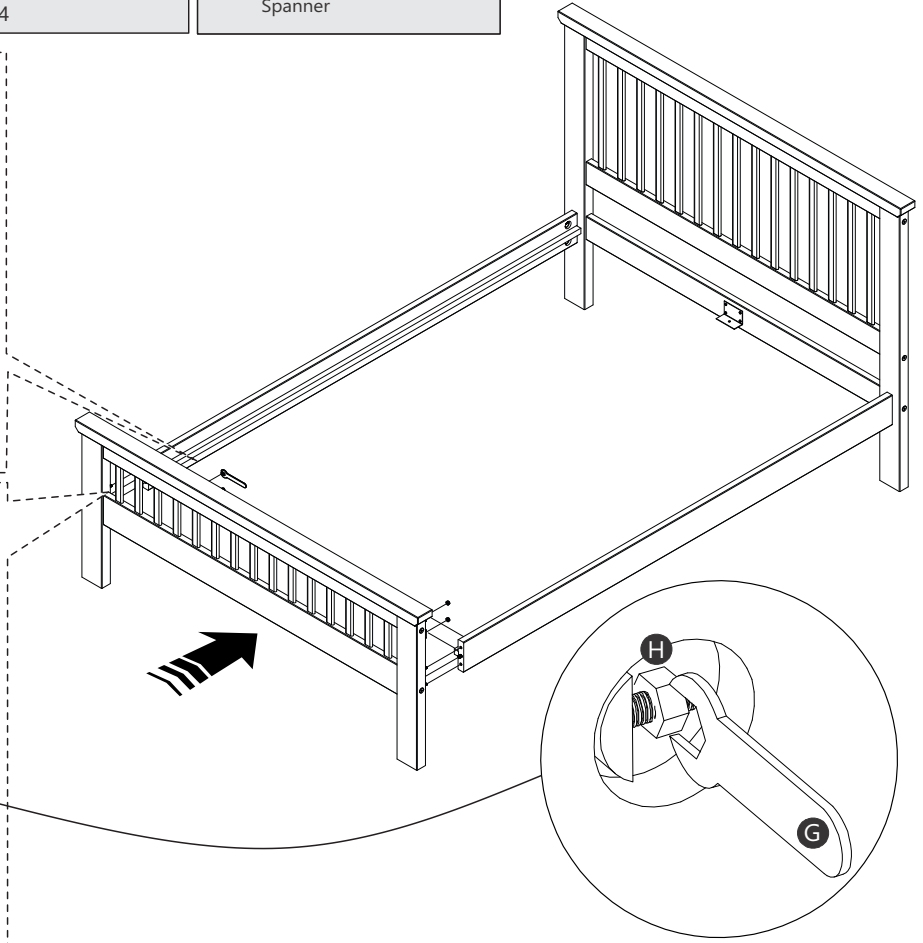
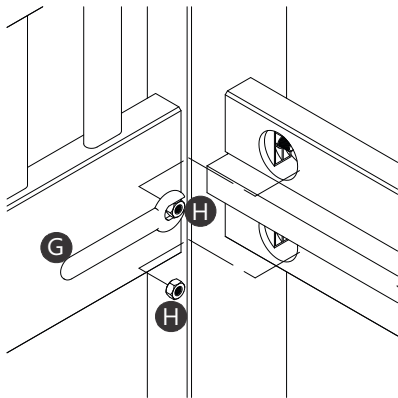
Nut 1/4 x 4

**F**

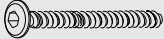
Washer x 4

**G**

Spanner

**a:****b:**

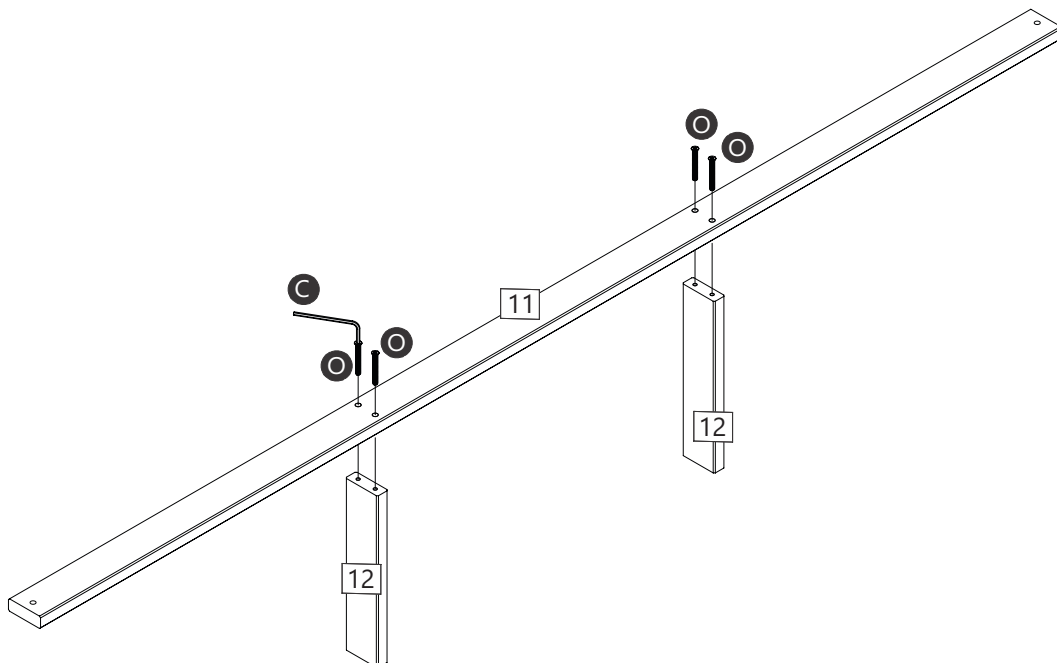
# 10

**O**

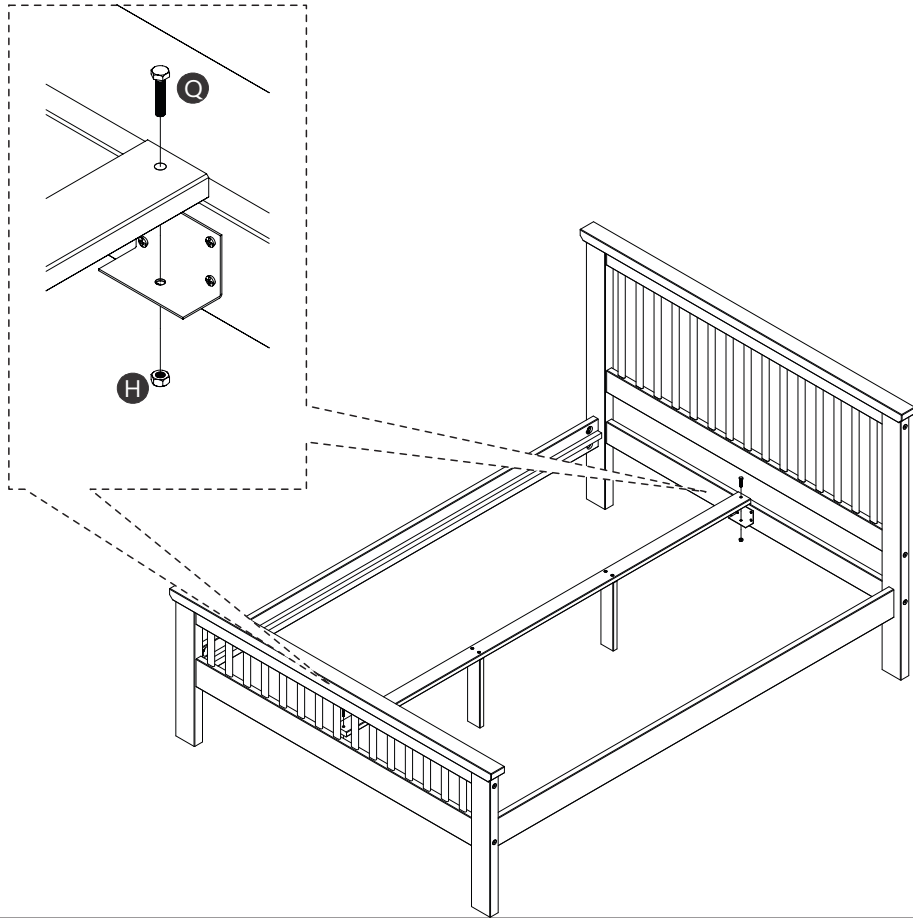
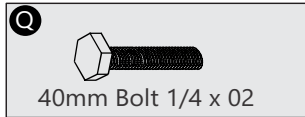
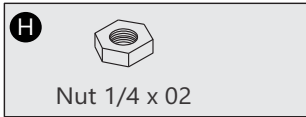
50mm Bolt x 04

**C**

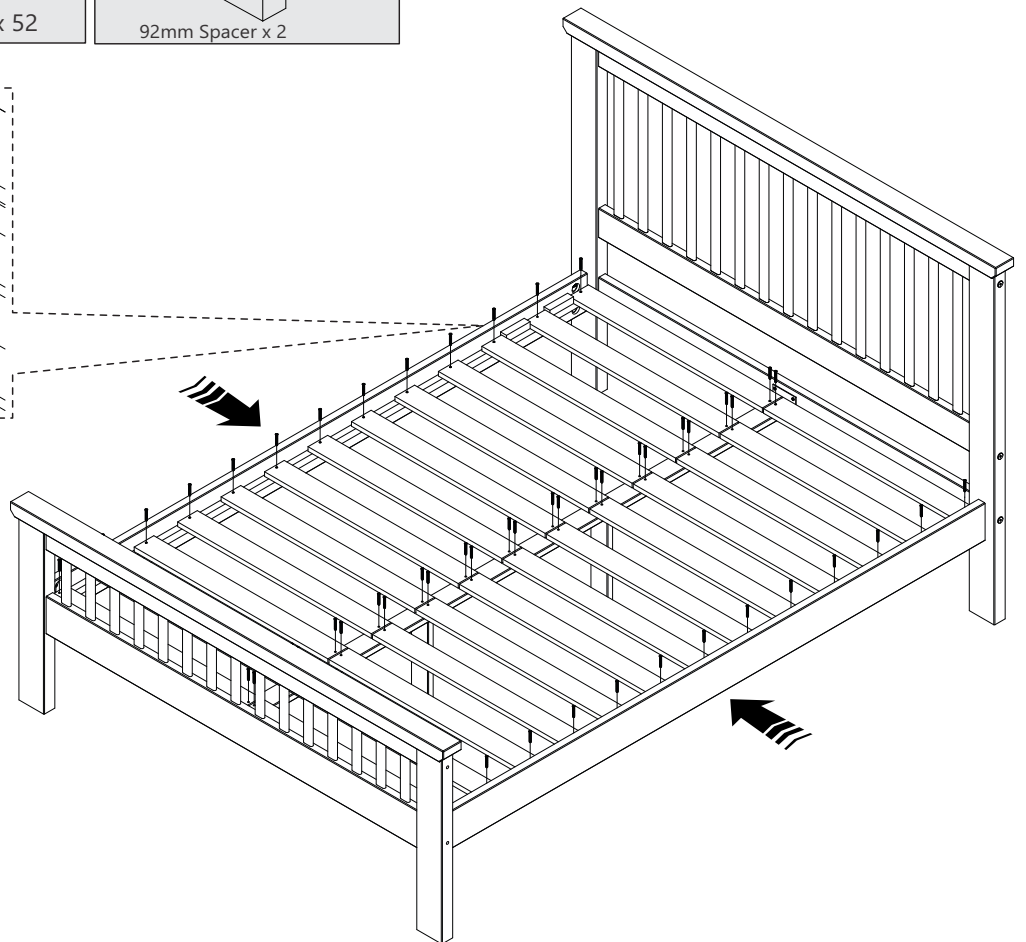
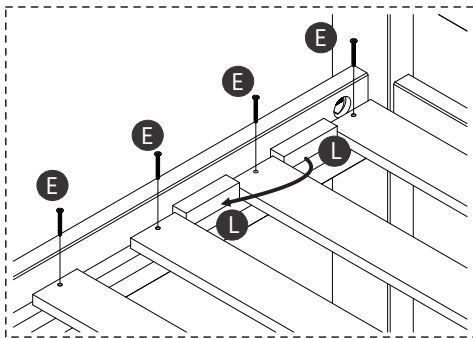
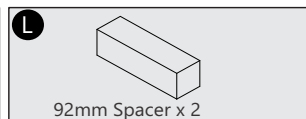
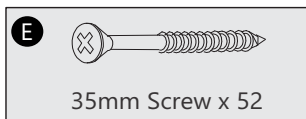
Allen Key



# 11



# 12



# 13

