

**Series 4, free-standing fridge-freezer with freezer at bottom, 186 x 60 cm, Stainless steel look KGN362LDFG**



**Included accessories**

3 x egg tray  
1 x ice cube tray

**The No Frost bottom freezer with VitaFresh: Keeps your fresh foods fresh longer.**

- **VitaFresh XXL <0°C>**: keeps food fresh for longer in extra-large climate-controlled fridge drawers.
- **Glossy Backwall with Multi Airflow**: evenly circulates fresh air to maintain consistent temperatures.
- **Perfect Fit**: place your fridge right next to walls or in a niche.
- **LED lighting**: keep your groceries in perfect view.
- **2 Cooling Systems**: separately controllable refrigerator and freezer compartments

**Technical Data**

Energy Efficiency Class (Regulation (EU) 2017/1369): D  
Average annual energy consumption in kilowatt hour per year (kWh/a): 199 kWh/annum  
Sum of volume of frozen compartments: 103 l  
Sum of volume of chill compartments: 218 l  
Airborne acoustical noise emissions : 35 dB(A) re 1pW  
Airborne acoustical noise emission class: B  
Built-in / Free-standing: Free-standing  
Number of compressors: 1  
Number of independent cooling systems: 2  
Width of the appliance: 600 mm  
Height: 1860 mm  
Depth of the product: 665 mm  
Net weight: 64.7 kg  
Door panel options: Not possible  
Door hinge: Right reversible  
Number of Adjustable Shelves in fridge compartment: 2  
Shelves for Bottles: Yes  
Frost free system: Fridge and freezer  
Interior ventilator: No  
Reversible Door Hinge: Yes  
Length electrical supply cord: 231.0 cm  
Noise level: 35 dB(A) re 1pW  
Multi-Flow Air Tower: Yes  
Fast cooling switch: Yes  
Fast freezing function: Yes  
Temperature Controlled Drawer: No  
Humidity Control Drawer: No  
Number of Door Bins - Refrigerator: 3  
Door bin adjustability - Refrigerator: Yes  
Tilt-out door bins in fridge: No  
Gallon wide door bins: Yes  
Number of Gallon storage: 1  
Motorized Shelf: No  
Material of the shelves: Safety glass  
Door opened indicator freezer: No  
Automatic motor-driven ice-maker: No  
Fuse protection: 13 A  
Voltage: 220-240 V  
Frequency: 50 Hz  
Storage Period in Event of Power Failure (h): 14 h  
Door panel options: Not possible  
Noise level: 35 dB(A) re 1pW  
Energy Star Qualified: No  
Plug type: GB plug  
Required cutout/niche size for installation (in): x  
Dimensions of the packed product: 75.78 x 25.98 x 30.70  
Net weight: 143.000 lbs  
Gross weight: 157.000 lbs



## **Series 4, free-standing fridge-freezer with freezer at bottom, 186 x 60 cm, Stainless steel look KGN362LDFG**

### **The No Frost bottom freezer with VitaFresh: Keeps your fresh foods fresh longer.**

- Total NoFrost - never defrost again, Bottom freezer
- Metal look Doors

#### **Performance and consumption**

- Energy Class: D
- Total Volume: 321 l
- Net Fridge Volume : 218 l
- Net Freezer Volume : 103 l
- Freezing capacity 24h: 9.5 kg
- Annual Energy Consumption: 199 kWh/a
- Climate Class: SN-T
- Fast Freeze Facility
- Noise Level : 35 dB , B Class
- Temperature rise time : 14 H

#### **Design and Styling**

- Doors Metal look, side panels Pearl grey (VZF 07127)
- Integrated vertical handle
- LED with Soft Start in fridge section

#### **Convenience & Safety**

- Total NoFrost - never defrost again
- Separate, electronic temperature control, LED indicators
- Two Cooling Systems
- Super Cooling: automatic deactivation
- Optical and acoustic door open warning system
- Visual and acoustic warning system in case of malfunction of the freezer compartment

#### **Fridge Compartment**

- Multi Airflow-System
- Bottle storage: Bottle grid
- 1 door bin(s) high, 2 door bin(s) small

#### **Freshness System**

- 1 VitaFresh #0°C# drawer - Fish and meat stay fresh for longer
- 1 VitaFresh drawer with humidity control - Fruits and vegetables retain vitamins and stay fresh for longer.

#### **Freezer**

- 3 transparent freezer drawers

#### **Dimensions**

- Appliance Dimensions ( H x W x D): 186 cm x 60 cm x 66.5 cm

#### **Technical Information**

- Door right hinged, reversible
- Height adjustable front feet
- Nominal voltage: 220 - 240 V

#### **Accessories**

- egg tray
- ice cube tray
- egg tray
- ice cube tray

#### **Country Specific Options**

- Based on the results of the standard 24-hour test. Actual consumption depends on usage/position of the appliance.

#### **Environment and Safety**

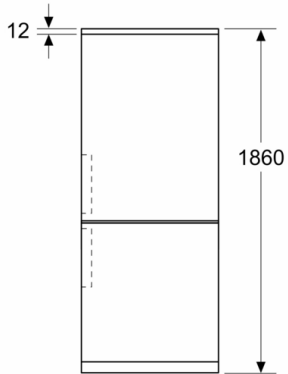
#### **Installation**

#### **General Information**

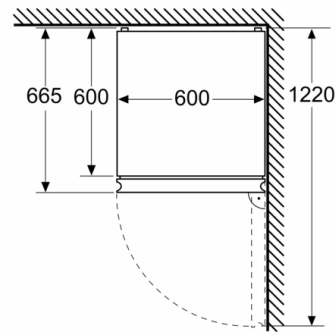
- 4 PC safety glass shelves of which 2 are height adjustable
- White glossy backwall with Multi-Airflow

**Series 4, free-standing fridge-freezer with  
freezer at bottom, 186 x 60 cm, Stainless  
steel look  
KGN362LDFG**

Measurements in mm



Measurements in mm



Measurements in mm

