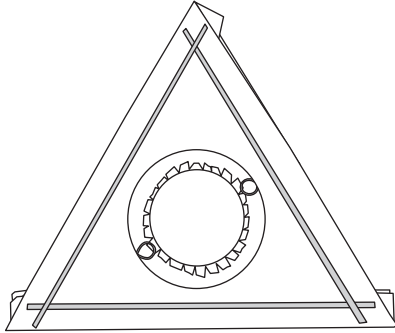
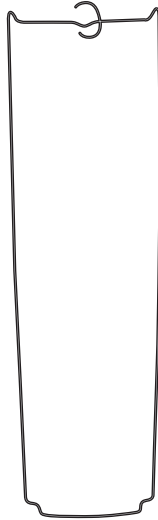


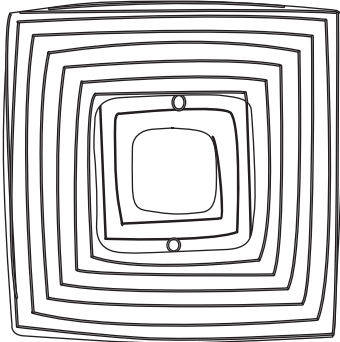
Ⓐ 1 x Triangle Shade



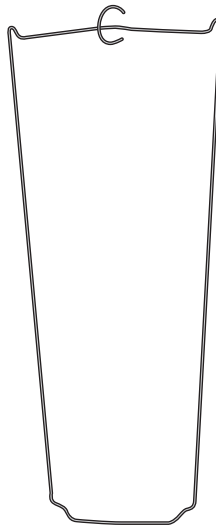
Ⓓ 1 x Triangle Wire Expander



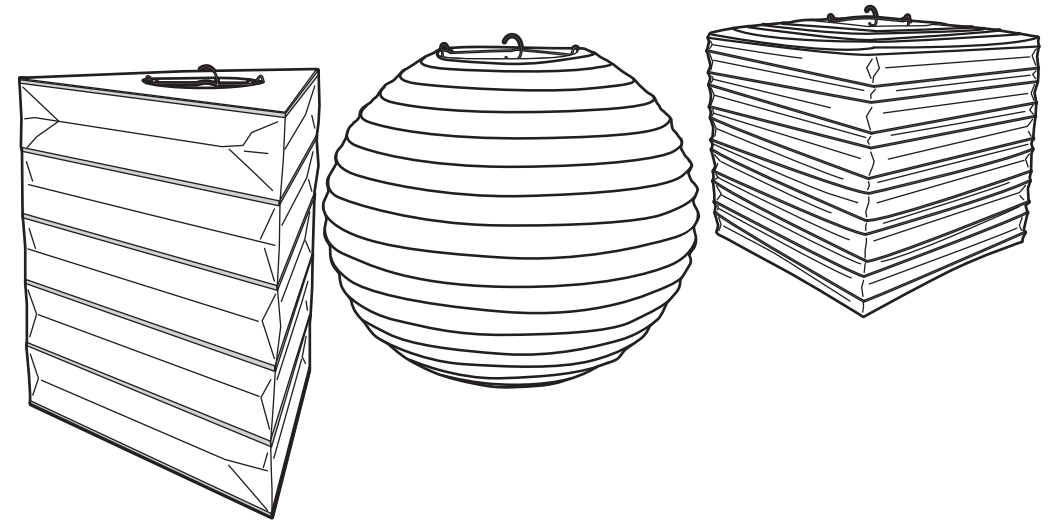
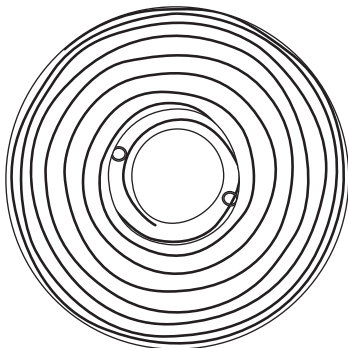
Ⓑ 1 x Square Shade



Ⓔ 2 x Wire Expander



Ⓒ 1 x Circle Shade



IMPORTANT

1. Read these instructions carefully and familiarise yourself with the procedure before assembling the unit.
2. Check that you have all the component parts following the list on the back cover and familiarise yourself with each part before proceeding.
3. Take all the fittings out of the plastic bag and separate them into their groups.
4. Ensure you have enough space to lay out all the parts before assembly.
5. To avoid scratching it is recommended that you assemble the unit on a soft level surface.

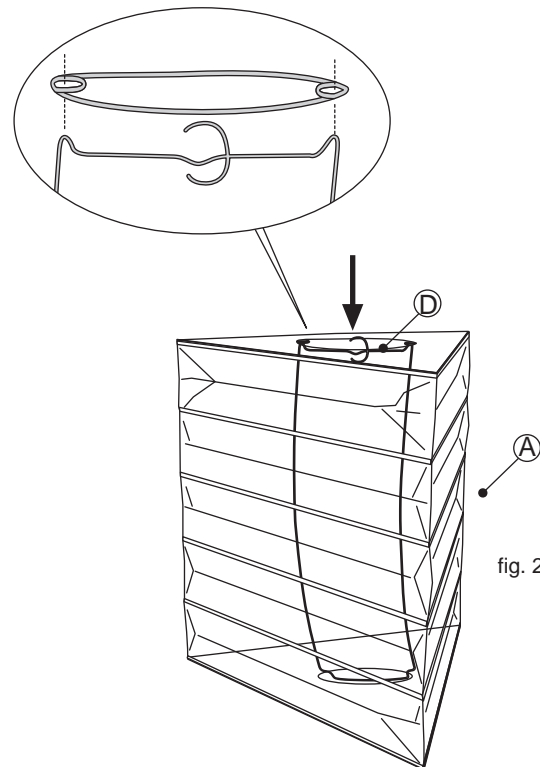
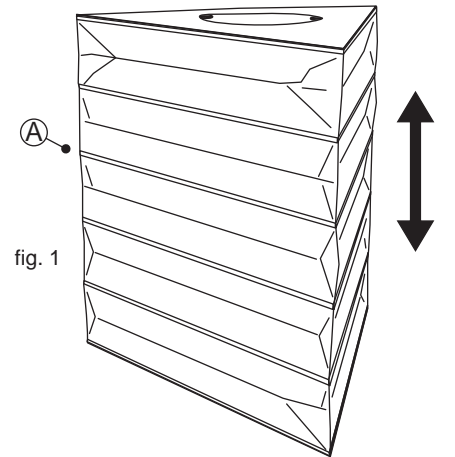
Assembly Instructions

Stage 1 – Fitting the Shade

1. Expand the Triangle Shade (A) by pulling at each ends.
See fig. 1.

2. Insert the Triangle Wire Expander (D) into the Triangle Shade (A).
See fig. 2.

NOTE: Carefully fit to the Wire Expander to the Shade at both ends taking care not to damage it.



Assembly Instructions

Stage 2 – Finishing the unit

⚡ IMPORTANT:

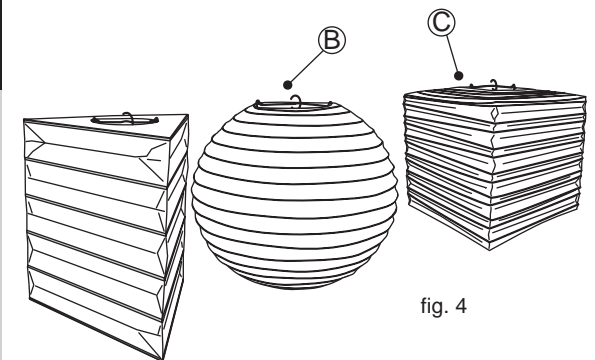
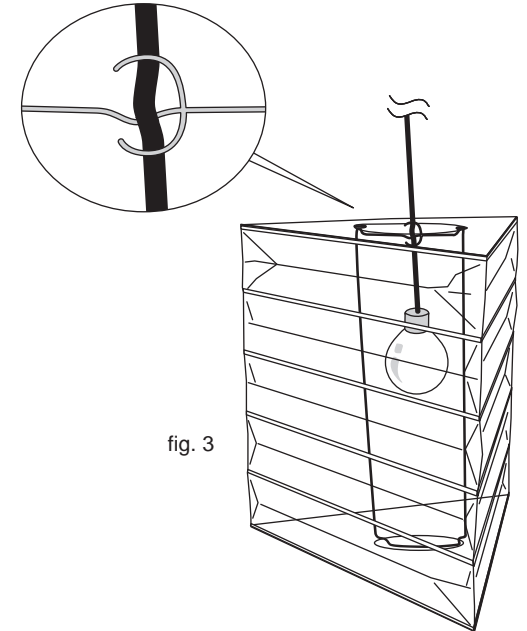
Switch off the Lamp before install the Shade.

1. Pass main cable through the "C" shape on top of Wire Expander. Adjusting the length to center the bulb inside Shade.
See fig. 3.

⚡ IMPORTANT:

The electric bulb should be centered inside the Shade, making sure it does not touch the paper.

2. Use the same method as in stage 1 to finish the other 2 Shades.
See fig. 4.



Caution

1. Indoor use only.
2. If in doubt about fitting this product. Please consult a suitably qualified electrician.
3. The temperature of the lamp rises very quickly. Do not touch the metal parts or glass of the lamp after the light is turned on.