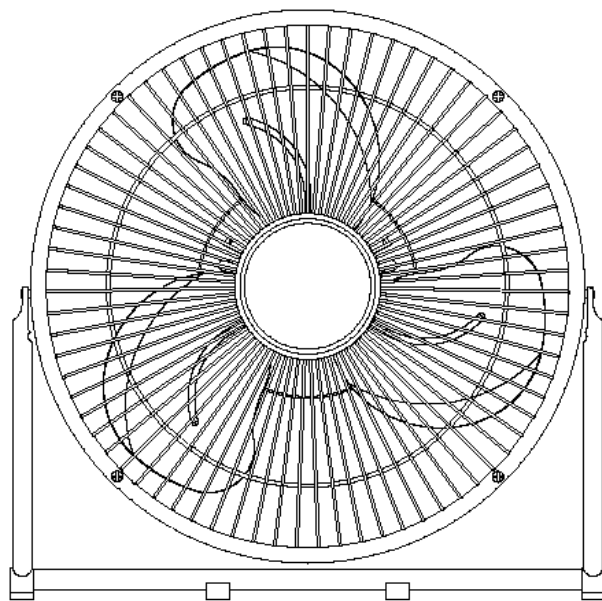


***challenge***<sup>®</sup>

**9 Inch Air Circulator  
INSTRUCTION MANUAL**



**Read all instructions before using this appliance. Carefully retain these instructions for future reference.**

**Thank you for choosing the Challenge fan. It is a remarkably versatile product which offers a choice of air-circulation for summer comfort. This Challenge fan has been designed and manufactured to high standards of engineering and with proper use and care, as described in this leaflet, this appliance will give you years of useful service.**

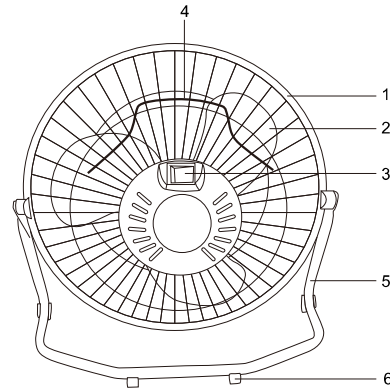
**Please read these instructions carefully.**

#### **GENERAL CARE AND SAFETY GUIDE**

- Use only the voltage specified on the rating plate of the heater.
- Do not cover or restrict airflow to the inlet or exhaust grilles in any manner as the appliance may overheat and become a fire risk.
- NEVER cover the fan, this may cause fire.
- Do not block air inlets or outlets in any manner. Check the openings from time to time for accumulated dust. Ensure long shag carpet does not obstruct airflow under the unit.
- Do not place appliance close to a radiant heat source.
- Do not operate in areas where gasoline, paint or other flammable liquids are used or stored.
- Do not insert or allow foreign objects to enter any ventilation or exhaust opening, as this may cause an electric shock, fire or damage to the appliance.
- Do not operate any appliance with a damaged cord, plug or after the appliance malfunctions or has been dropped or damaged in any manner. Return to a qualified electrical person for examination, electrical or mechanical adjustment, service or repair.
- This appliance is intended for household use only and not for commercial or industrial use.
- Use this appliance only as described in this manual. Any other use is not recommended by the manufacturer and may cause fire, electric shock or injury.
- Do not use abrasive cleaning products on this appliance. Clean with a damp cloth (not wet) rinsed in hot soapy water only. Always remove plug from the mains supply before cleaning.
- Do not connect the appliance to the mains voltage until completely assembled and adjusted.
- Switch off and use handles where provided when moving.
- Always operate on a flat horizontal surface.
- Do not remove plug from power socket until the appliance has been switched off.
- Do not remove plug from power socket by pulling flex - always grip plug.
- Always unplug appliance when not in use.
- Do not allow cord to come in contact with heated surfaces during operation.
- Do not run cord under carpeting, throw rugs or runners etc. Arrange cord away from traffic areas so that it will not be tripped over.
- Do not twist, kink or wrap the cord around the appliance, as this may cause the insulation to weaken and split. Always ensure that all cord has been removed from any cord storage area.
- This appliance is not intended for use by young children or infirm persons without supervision.
- Young children should be supervised to ensure they do not play with the appliance.
- The appliance must not be located immediately below a socket-outlet.
- Do not use this appliance in the immediate surrounds of a bath, a shower or a swimming pool or other liquids.
- Do not use this appliance outdoors, or on wet surfaces. Avoid spilling liquid on the appliance.
- Always switch off the product at the controls and at the power outlet then unplug heater from the power outlet when not in use.
- Important-This heater is intended for floor use only. Do not mount on ceiling or walls.
- If the supply cord is damaged, it must be replaced by the manufacturer, its service agent or a similarly qualified person in order to avoid a hazard.
- This appliance is not intended for use by persons (including children) with reduced physical, sensory or mental capabilities, or lack of experience and knowledge, unless they have been given supervision or instruction concerning use of the appliances by a person responsible for their safety.
- Children should be supervised to ensure that they do not play with the appliance.

## KNOWING YOUR MACHINE

1. Guard
2. Fan Blade
3. Speed control panel
4. Handle
5. Stand
6. Foot



## Operating Instruction

1. Remove the fan from its carton and unwind the cord to its full length. Set the appliance on a dry, level and sturdy surface.
2. Plug the appliance into a 230V ~ 50 Hz electric outlet. Ensure the power switch is at "0" position.

## ON / OFF, Speed selection

1. The fan is controlled by the selector on the speed control panel at the back of the fan.
2. To turn the fan on, turn the switch to either "I" or "II" position.
3. To change the speed of the fan by turning the switch to another position, i.e. "I" is low & "II" is high.
4. The fan can be turned off by turning the switch to "0" position.

## Tilt adjustment

1. Adjust the angle of the main body by holding the grille.
2. Do not let your finger go into the grille. This is danger and may cause Hazard.

## CARE AND MAINTENANCE

Your fan requires little maintenance and contains no user serviceable parts. Do not attempt to dismantle the fan motor body yourself. The fan is permanently lubricated and will not require additional lubrication.

**Cleaning :** Always unplug the fan from the mains outlet before cleaning the appliance. The fan can be cleaned with a soft cloth. Deposits of dust can be removed by using a vacuum cleaner, ensuring that the air vents and grilles remain free from dust to prevent over-heating. The body of the fan can be cleaned with a damp cloth rinsed hot soapy water. Always remove the plug from the mains outlet before cleaning.

**Important :** Do not allow water to run into the interior of the fan, as this cause an electric shock. DRY THE FAN THOROUGHLY with a dry cloth, checking that the fan is completely dry before operating the fan.

### Important Safety Instructions

When using electrical appliance, basic precautions should be followed to reduce the risk of fire and personal injury.

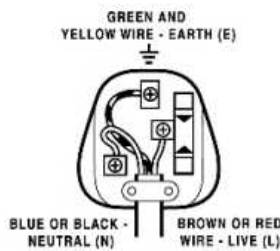
- DO NOT connect the appliance to be the mains voltage until completely assembled and adjusted.
- Before you connect the appliance, check if the voltage specified on the appliance corresponds to the mains voltage in your home.
- To protect against electrical shock, do not immerse the plug or cord in water or spray with liquids.
- Never put objects into the grille when the fan is connected to the mains.
- Unplug from outlet when not in use, when moving fan from one location to another, before putting on or taking off parts and before cleaning.
- Keep a watchful eye on children. Never allow them to play with the fan.
- It is not advisable to expose people (especially, babies and older people) to a continuous cold air steam for a long time.
- DO NOT use fan in very hot to humid environment, such as bathroom.
- Make sure fan is on a stable surface when operating to avoid a chance of overturning.
- DO NOT use a fan in a window. Rain may cause an electric hazard.
- DO NOT use fan near curtains, plants, window treatments, etc.
- DO NOT operate in the presence of explosive and / or flammable fumes.
- DO NOT place fan or any parts near an open flame, cooking or other heating appliance.
- DO NOT operate any appliance with a damaged cord or plug, after the appliance malfunctions or has been dropped or damaged in any manner.
- DO NOT let the cord to overhang a table of workshop.
- To disconnect, grip plug and pull from wall outlet NEVER yank on cord.
- Always use on a dry surface.
- This product is intended for household use only and not for commercial or industrial use.
- Disconnect fan before cleaning.

## CONNECTION TO POWER

- Before connecting, check that the voltage indicated on the appliance (bottom of the appliance) corresponds with the main voltage in your home. If this is not the case, consult your dealer and do not use.
- This appliance may be fitted with a non-rewirable plug. If you need to change the fuse in a non-rewirable plug, the fuse cover must be refitted. If the fuse cover is lost or damaged, the plug must not be used until a replacement is obtained (available from the appliance manufacturer).
- If the plug has to be changed because it is not suitable for your socket, or becomes damaged, it should be cut off and appropriate plug fitted following the wiring instructions. The plug removed must be disposed of safely as insertion into a mains socket is likely to cause an electrical hazard.
- This unit must be earthed. This equipment must be disconnected from the mains when not in use. Do not allow this unit to be exposed to rain or moisture.

**For your own safety read the following instructions carefully before attempting to connect this unit to the mains.**

You should only plug the appliance into a 230V-240V AC, 50Hz supply. Connecting it to other power sources may damage the appliance.



The wires in this mains lead are colored in accordance with the following code:

**BLUE = NEUTRAL**  
**BROWN = LIVE**  
**GREEN + YELLOW = EARTH**

The colors of the wires in the mains lead of this appliance may not correspond with the colored markings identifying the terminals in your plug, proceed as follows:



**Caution**  
To prevent electric shock disconnect from the mains before removing the cover

- The blue wire must be connected to the terminal marked with the letter N or colored black.
- The brown wire must be connected to the terminal marked with the letter L or colored red.
- The green and yellow wire must be connecting to the terminal marked with the letter E or the earth symbol. (⏚).

If a 13 Amp (BS1363) fused plug is used it must be fitted with a 3A fuse conforming to BS1362 and be ASTA approved.

If in doubt contact a qualified electrician



WASTE ELECTRICAL PRODUCTS SHOULD NOT BE DISPOSED OF WITH HOUSEHOLD WASTE. PLEASE RECYCLE WHERE FACILITIES EXIST. CHECK WITH YOUR LOCAL AUTHORITY FOR RECYCLING ADVICE.



## PRODUCT GUARANTEE

This product is guaranteed against manufacturing defects for a period of



Year

This product is guaranteed for twelve months from the date of original purchase. Any defect that arises due to faulty materials or workmanship will either be replaced, refunded or repaired free of charge where possible during this period by the dealer from whom you purchased the unit.

The guarantee is subject to the following provisions:

- The guarantee does not cover accidental damage, misuse, cabinet parts, knobs or consumable items.
- The product must be correctly installed and operated in accordance with the instructions contained in this manual.
- It must be used solely for domestic purpose.
- The guarantee will be rendered invalid if the product is re-sold or has been damaged by inexpert repair.
- Specifications are subject to change without notice.
- The manufacturer disclaims any liability for the incidental or consequential damages.
- The guarantee is in addition to, and does not diminish your statutory or legal rights.

Guarantor: Argos Ltd  
489 - 499 Avebury Boulevard  
Central Milton Keynes  
MK9 2NW