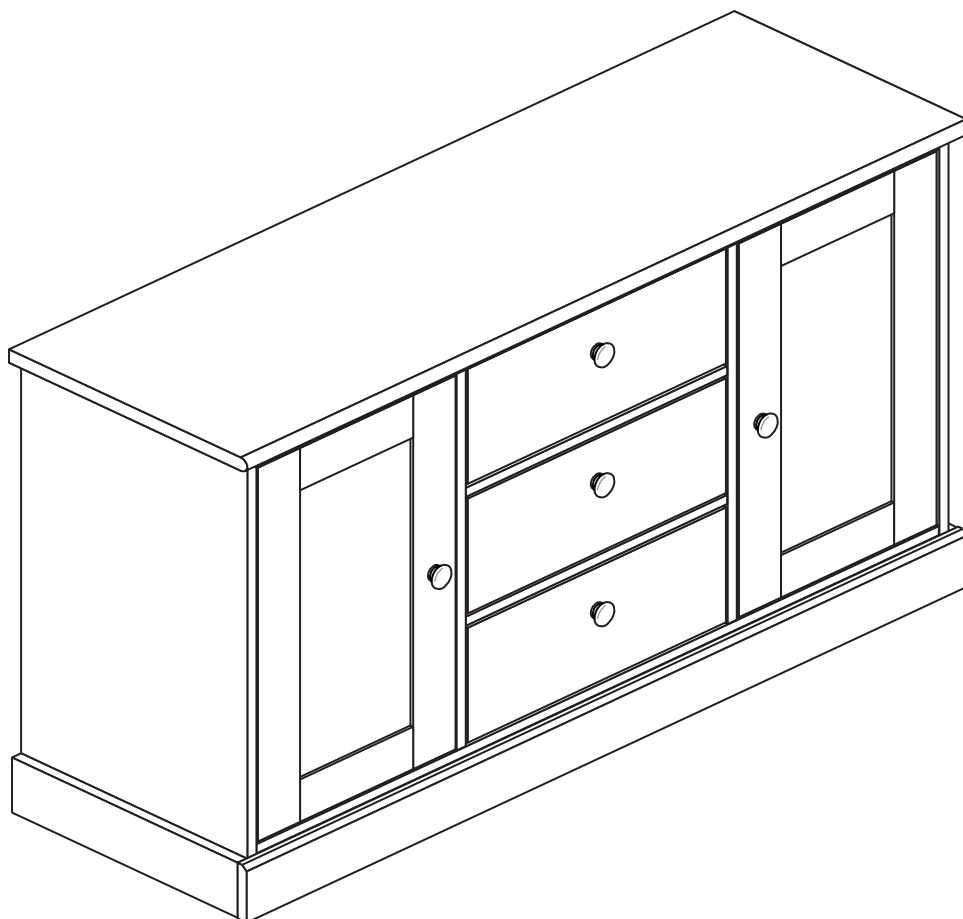


Winchester - 3+2 Sideboard

Assembly Instructions - Please keep for future reference

417/9906



Dimensions

Width - 119.9cm

Depth - 39.4cm

Height - 76.8cm



**MADE IN
BRITAIN**

Important - Please read these instructions fully before starting assembly

If you need help or have damaged or missing parts, please visit www.argos-support.co.uk or email: Help@ClickSpares.co.uk (quoting your original order number)

Alternatively, call the Spares Helpline on: 0370 112 1928.

For any other queries please contact the Customer Helpline on: 0345 640 2020



Safety and Care Advice

Important - Please read these instructions fully before starting assembly

- **Warning:** This unit weighs approximately 44kgs. Please lift with care.

- Check you have all the components and tools listed on pages 1, 2 and 3.

- Remove all fittings from the plastic bags and separate them into their groups.

- Keep children and animals away from the work area, small parts could choke if swallowed.

- Parts of the assembly will be easier with 2 people.

- Make sure you have enough space to layout the parts before starting.

- Do not stand or put weight on the product, this could cause damage.

- Assemble the item as close to its final position (in the same room) as possible.

- Assemble on a soft level surface to avoid damaging the unit or your floor (use opened out unit carton).



- We do not recommend the use of power drill/drivers **for inserting screws**, as this could damage the unit. Only use hand screwdrivers.

- **Safety note:** It is recommended that this unit is secured to a wall using the overbalance protector kit supplied or, an alternative fixing method of your choice.

- Dispose of all packaging carefully and responsibly.

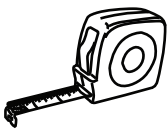
Care and maintenance

- Only clean using a damp cloth and mild detergent, do not use bleach or abrasive cleaners.

- From time to time check that there are no loose screws on this unit.

- This product should not be discarded with household waste. Take to your local authority waste disposal centre.

Tools required



Rule



Cross-head screwdriver



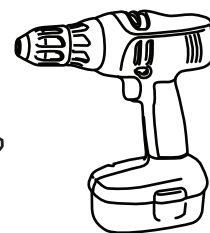
Scissors



Hammer



Eye protection (when using a hammer or drill)



Electric drill (do not use for fitting screws)

Note: If required the next page can be cut out and used as reference throughout the assembly. Keep this page with these instructions for future reference.

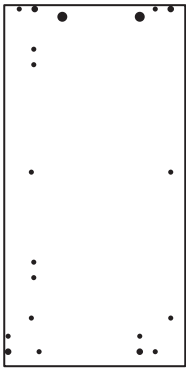
Components - Panels

If you need help or have damaged or missing parts, please visit www.argos-support.co.uk or email: Help@ClickSpares.co.uk (quoting your original order number)

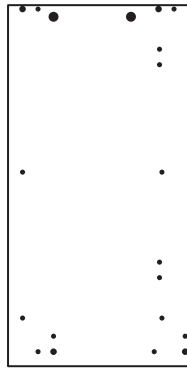
Alternatively, call the Spares Helpline on: 0370 112 1928.

For any other queries please contact the Customer Helpline on: 0345 640 2020

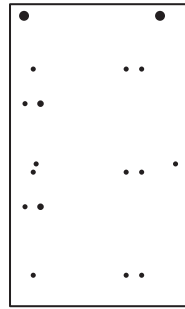
Please check you have all the panels listed below



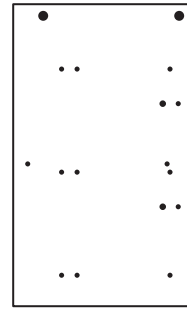
1 Left Side (DF2803)
(74.6 x 37.4cm)



2 Right Side (DF2804)
(74.6 x 37.4cm)



3 Left Divider (DF2807)
(62.4 x 37.2cm)



4 Right Divider (DF2808)
(62.4 x 37.2cm)



5 Top (DF3357)
(119.9 x 39.4cm)



6 Base (DF2806)
(112.9 x 37.3cm)



7 Shelf (DF2813)
(33.3 x 34.9cm) x 2



8 Narrow Rail (DF2809)
(43.3 x 9.2cm) x 2



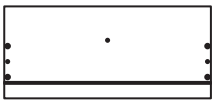
9 Long Rail (DF2805)
(112.9 x 9.2cm) x 4



10 Side Plinth (DF2386)
(37.4 x 9.1cm) x 2



11 Front Plinth (DF2810)
(119.1 x 9.2cm)



12 Drawer Front (DF2811)
(42.7 x 19cm) x 3



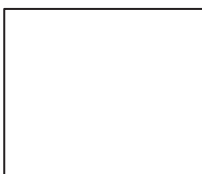
13 Left Drawer Side (W350-124LH)
(35 x 12.4cm) x 3



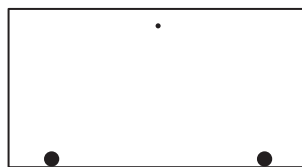
14 Right Drawer Side (W350-124RH)
(35 x 12.4cm) x 3



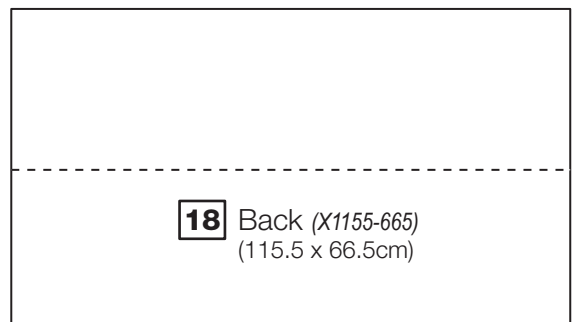
15 Drawer Back (W400-124)
(40 x 12.4cm) x 3



16 Drawer Base (T411-347)
(41.1 x 34.7cm) x 3



17 Door (DF3359)
(61.8 x 32.7cm) x 2



18 Back (X1155-665)
(115.5 x 66.5cm)



Components - Fittings

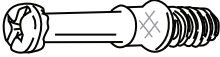


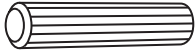
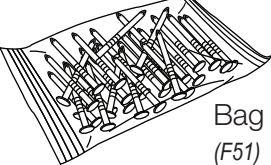










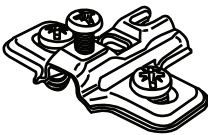
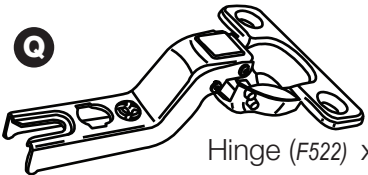
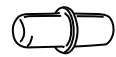
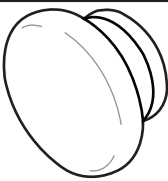
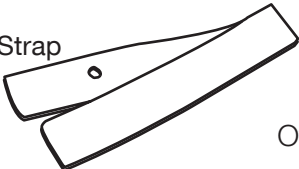



If you need help or have damaged or missing parts, please visit www.argos-support.co.uk or email: Help@ClickSpares.co.uk (quoting your original order number)

Alternatively, call the Spares Helpline on: 0370 112 1928.

For any other queries please contact the Customer Helpline on: 0345 640 2020

Please check you have all the fittings listed below

Note: The quantities below are the correct amount to complete the assembly. In some cases more fittings may be supplied than are required.

<p>A </p> <p>Metal dowel (F901) x 32</p>	<p>B </p> <p>Large locking nut (F900) x 26</p>	<p>C </p> <p>Small locking nut (F3) x 6</p>
<p>D </p> <p>Wooden dowel (F22) x 22</p>	<p>E </p> <p>Bag of Nails (F51) x 1</p>	<p>F </p> <p>40mm Screw (F910) x 4</p>
<p>G </p> <p>38mm Screw (F81) x 5</p>	<p>H </p> <p>25mm Screw (F50) x 6</p>	<p>I </p> <p>9mm Screw (F74) x 6</p>
<p>J </p> <p>9mm Screw (F73) x 12</p>	<p>K </p> <p>13mm Screw (F63) x 8</p>	<p>L </p> <p>Plastic Nail (F91) x 6</p>
<p>M </p> <p>Drawer runner (F1004) x 6</p>		<p>N </p> <p>Wedgex (F639) x 6</p>
<p>O </p> <p>Knock-in Peg (F171GY) x 12</p>	<p>P </p> <p>Hinge plate (F523) x 4</p>	<p>Q </p> <p>Hinge (F522) x 4</p>
<p>R </p> <p>Shelf stud (F110) x 8</p>	<p>S </p> <p>Handle (F463) x 5</p>	
<p>T    </p> <p>Strap Screw Washer x 2</p> <p>Overbalance protector kit (F269) x 1</p>		

Ruler - Use this ruler to help correctly identify the screws



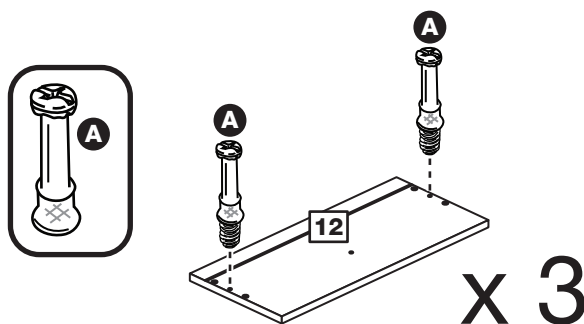
Assembly Instructions

Step 1

Prepare the 3 drawer fronts

Screw 2 metal dowels **A** into each of the drawer fronts **12**.

Note: Tighten the metal dowels up fully against the panels.

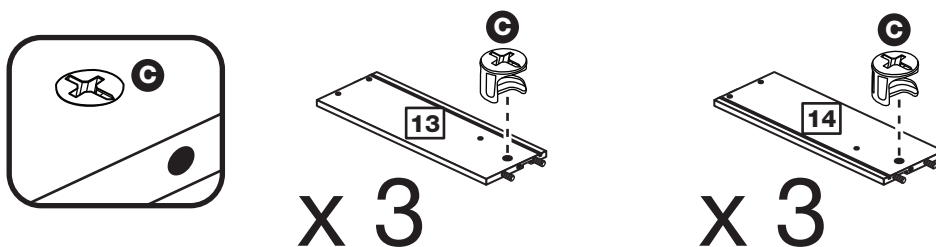


Step 2

Prepare the drawer sides

Insert a small locking nut **C** into the hole shown on the left drawer side **13** and the right drawer side **14**.

Note: The arrow on the locking nut **must** point towards the hole in the edge of the panel.



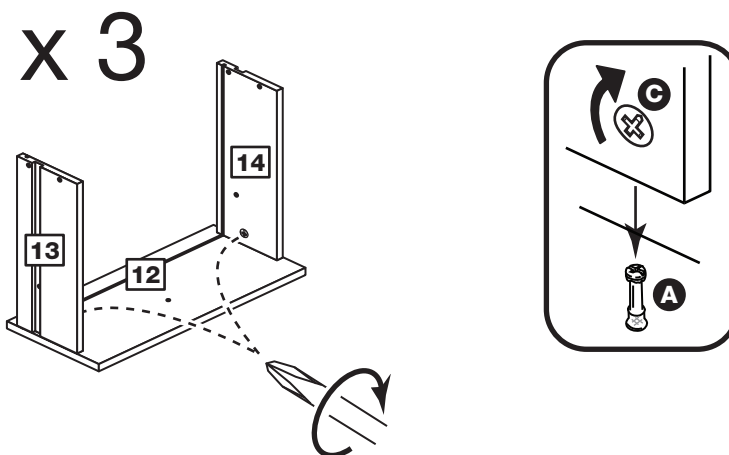
Step 3

Attach the drawer sides to the drawer fronts

Push the left drawer sides **13** and right drawer sides **14** onto the back of the drawer fronts **12**.

Turn the small locking nuts **C** on the left drawer side **13** and right drawer side **14**.

Note: Turn the locking nuts **C** clockwise to secure panels - more than 1/2 a turn.

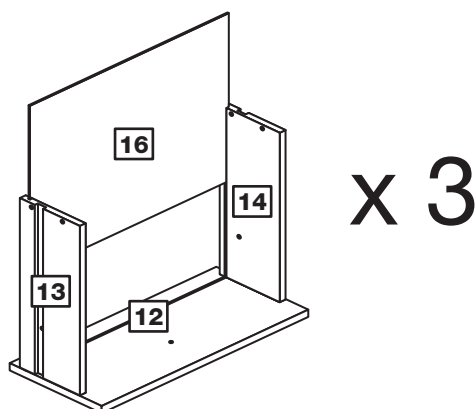


Assembly Instructions

Step 4

Fit the drawer base

Slide the drawer base **16** down the grooves in the drawer sides **13** and **14** and down into the groove in the drawer front **12**.

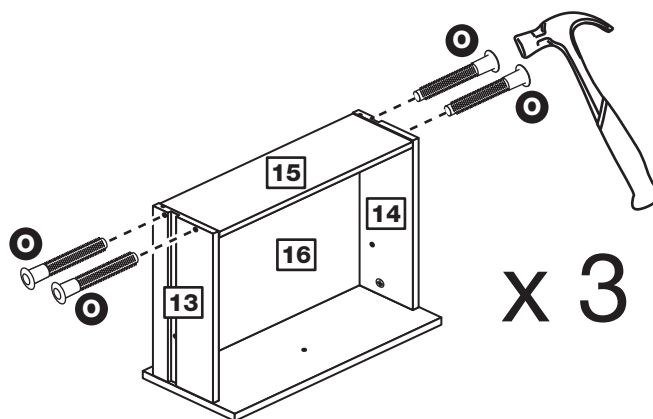


Step 5

Fit the drawer back

Fit the drawer back **15** between the drawer sides **13** and **14**. Make sure that the drawer base **16** fits into the groove in the drawer back **15**.

Hold the drawer back **15** in position and tap the knock-in pegs **O** through the holes in the drawer sides **13** and **14**.

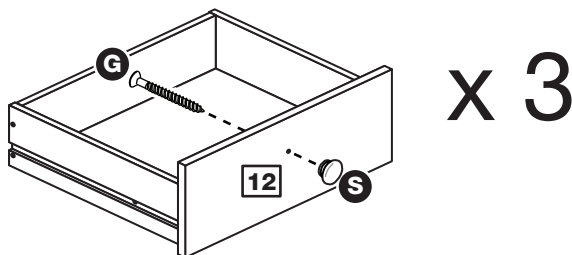


Step 6

Attach the handles

Attach a handle **S** to each of the drawer fronts **12** using screw **G**.

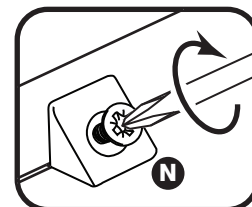
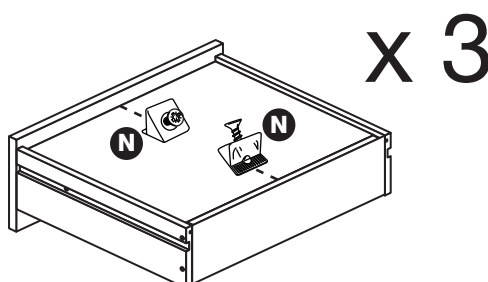
Note: Do not overtighten the screw.



Step 7

Fit the wedgifixes

Turn the drawer assemblies over and slide 2 wedgifixes **N** into the front and back grooves, as shown, and tighten up the screws.



Assembly Instructions

Step 8

Prepare the left divider

a: Place 3 runners **M** on the left divider **3** as shown. Slide back the top of runner and use the 2nd hole from the front to fit the 1st screw **J**.

b: Slide the runner **M** back the other way and fit the 2nd screw **J** into the corresponding hole in the left divider **3**.

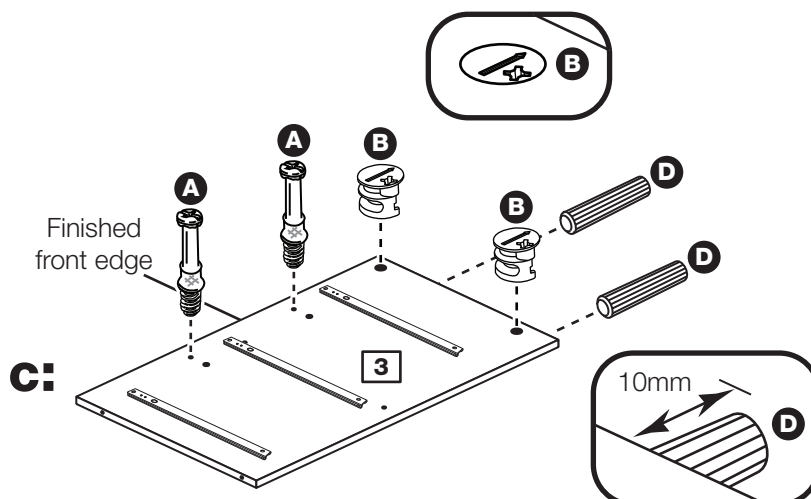
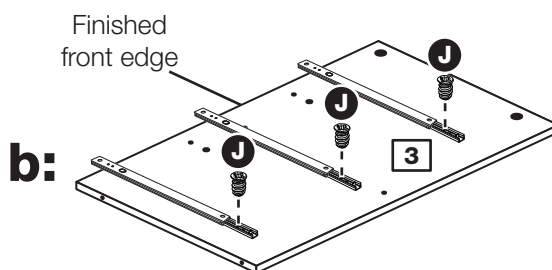
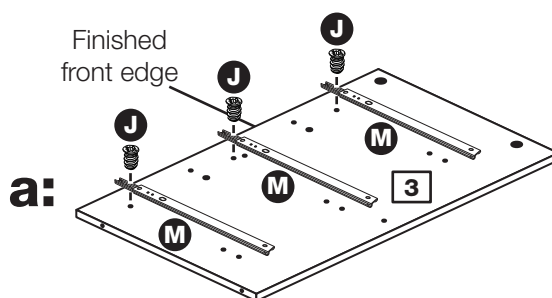
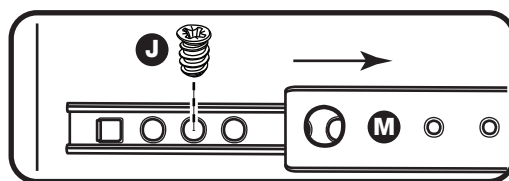
c: Screw 2 metal dowels **A** into the left divider **3**.

Insert 2 large locking nuts **B** into the left divider **3**.

Note: The arrow on the locking nuts **must** point towards the hole in the edge of the panel.

Tap 2 wooden dowels **D** into the left divider **3**.

Note: Wooden dowels **must not** stick out from the edge by more than 10mm or they may damage other panels.



Assembly Instructions

Step 9

Prepare the right divider

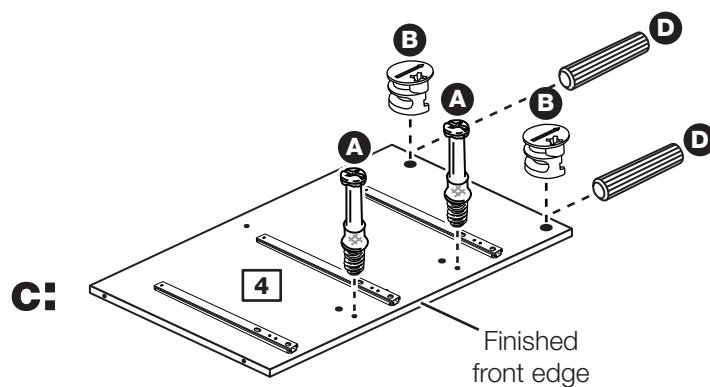
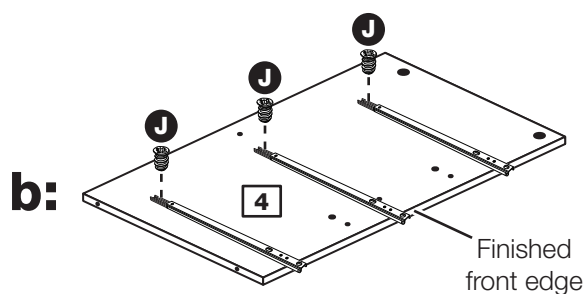
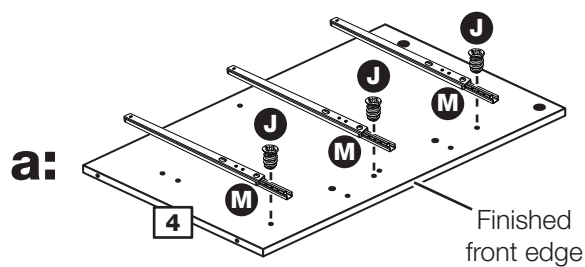
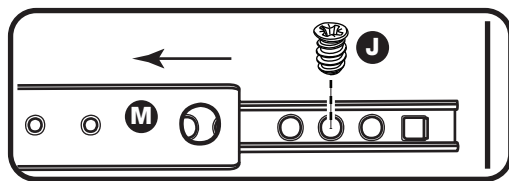
a: Place 3 runners **M** on the right divider **4** as shown. Slide back the top of runner and use the 2nd hole from the front to fit the 1st screw **J**.

b: Slide the runner **M** back the other way and fit the 2nd screw **J** into the corresponding hole in the right divider **4**.

c: Screw 2 metal dowels **A** into the right divider **4**.

Insert 2 large locking nuts **B** into the right divider **4**.

Tap 2 wooden dowels **D** into the right divider **4**.



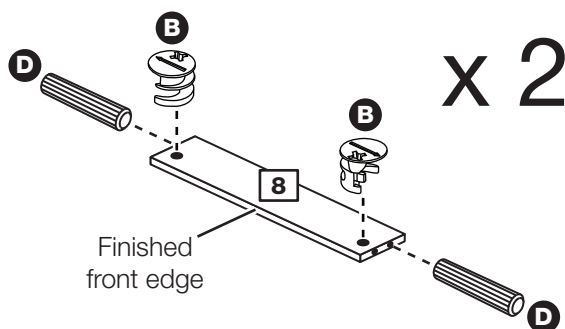
Assembly Instructions

Step 10

Prepare the 2 narrow rails

Insert 2 large locking nuts **B** into each of the 2 narrow rails **8**.

Tap 2 wooden dowels **D** into each of the 2 narrow rails **8**.



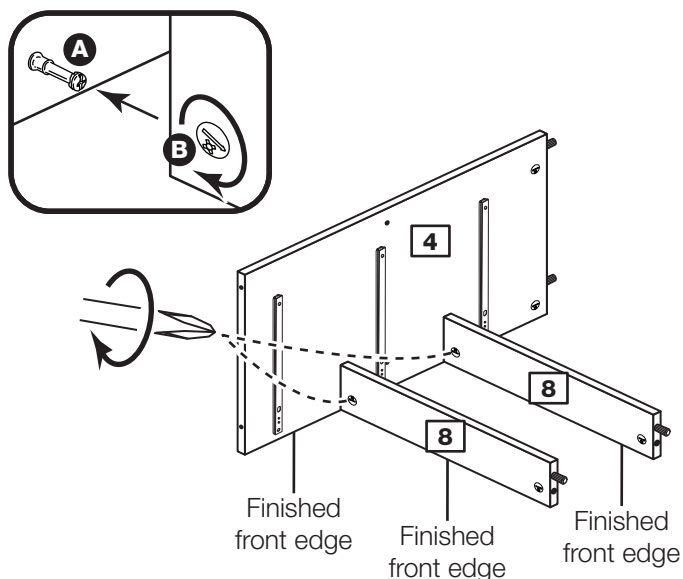
Step 11

Fit the 2 narrow rails onto the right divider

Push the 2 narrow rails **8** onto the right divider **4**.

Use a screwdriver to tighten the 2 large locking nuts **B** fitted to the narrow rails **8**.

Note: Turn the large locking nuts **B** as far as they will go - more than 1/2 a turn.

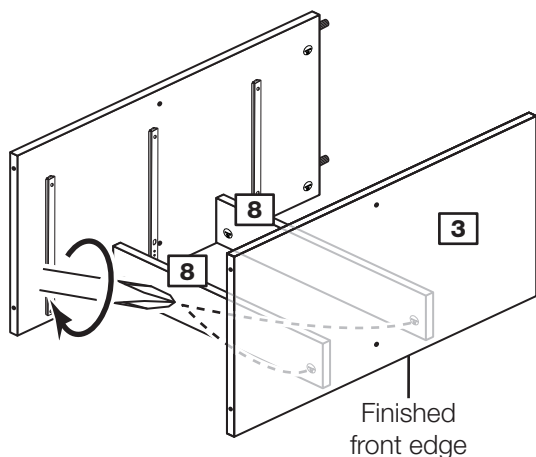


Step 12

Fit the left divider

Push the left divider **3** onto the narrow rails **8**.

Use a screwdriver to tighten the 2 large locking nuts **B** fitted to the narrow rails **8**.



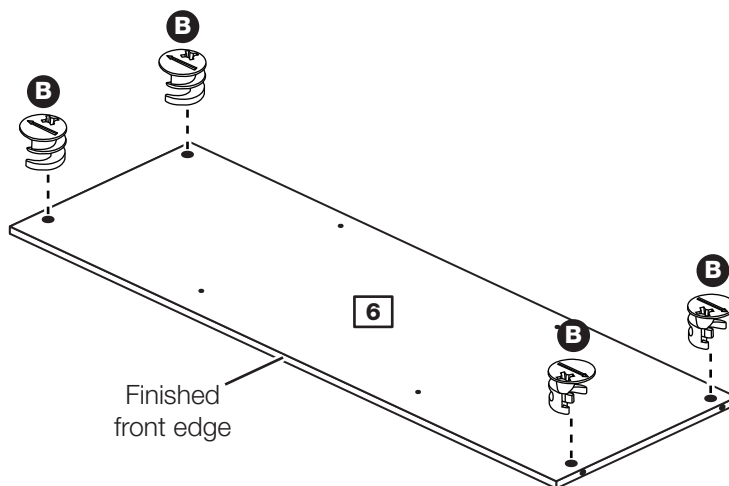
Assembly Instructions

Step 13

Prepare the base

Insert 4 large locking nuts **B** into the base **6**.

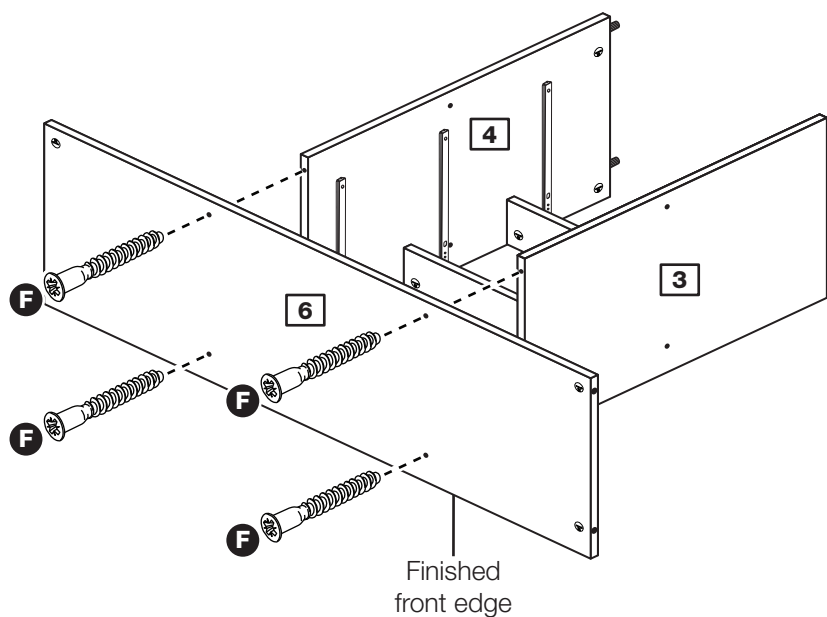
Tap 2 wooden dowels **D** into the base **6**.



Step 14

Fit the base

Attach the base **6** to the left divider **3** and right divider **4** with 4 screws **F**.



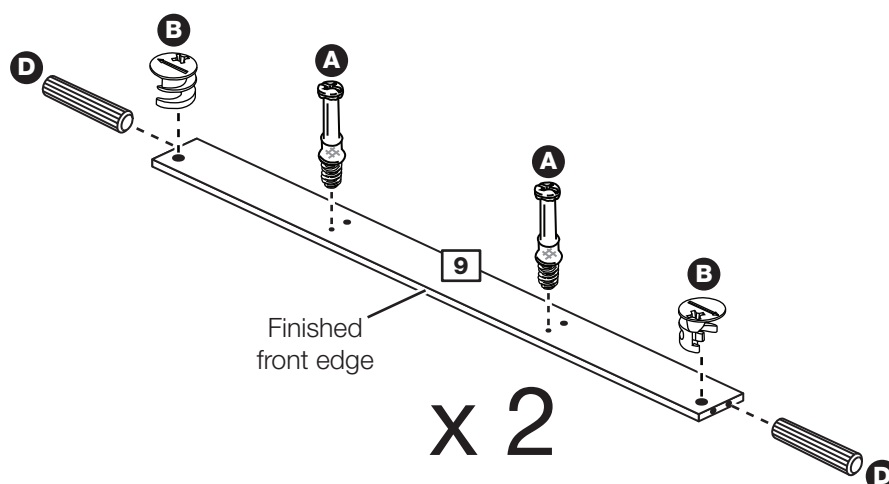
Step 15

Prepare 2 of the long rails

Screw 2 metal dowels **A** into 2 of the long rails **9**.

Insert 2 large locking nuts **B** into 2 of the long rails **9**.

Tap 2 wooden dowels **D** into 2 of the long rails **9**.



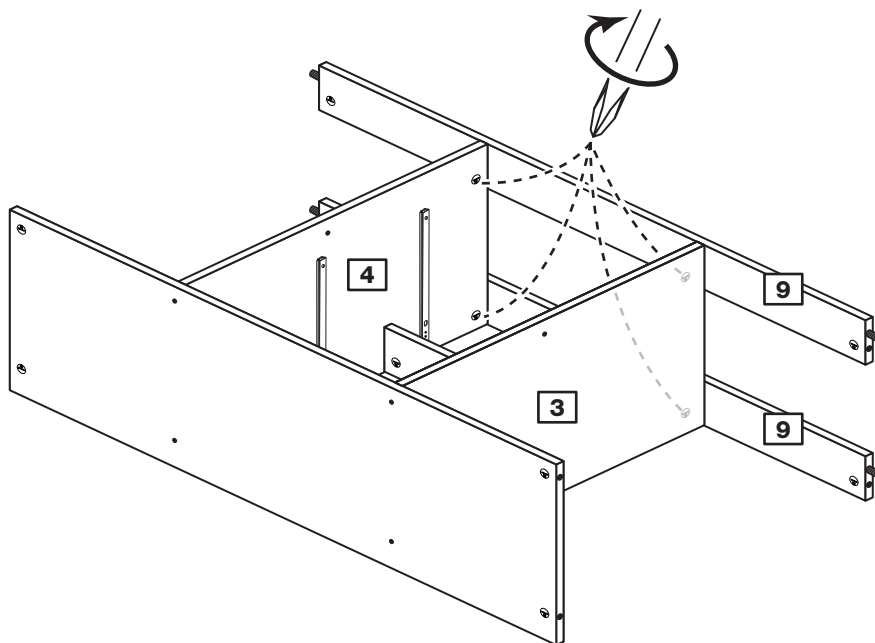
Assembly Instructions

Step 16

Fit the 2 long rails

Push the 2 long rails **9** onto the left divider **3** and right divider **4**.

Use a screwdriver to tighten the 4 large locking nuts **B** fitted to the left divider **3** and right divider **4**.



Step 17

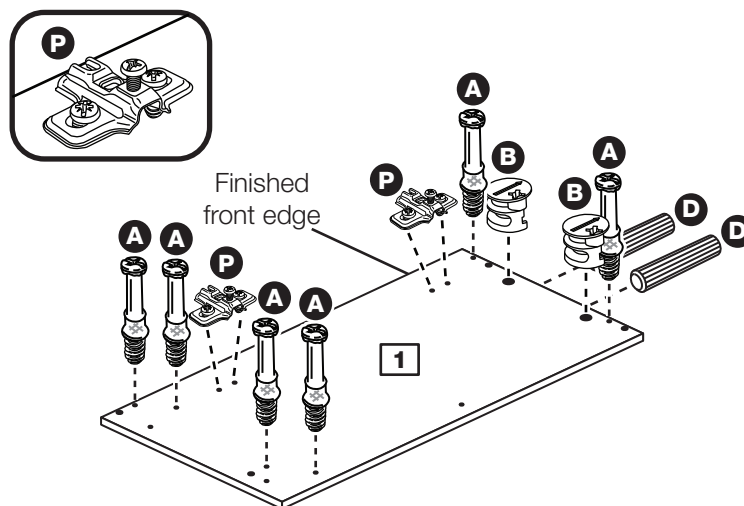
Prepare the left side

Screw 6 metal dowels **A** into the left side **1**.

Insert 2 large locking nuts **B** into the left side **1**.

Tap 2 wooden dowels **D** into the left side **1**.

Fit 2 hinge plates **P** onto the left side **1**, making sure that the slot is facing towards the finished front edge.



Assembly Instructions

Step 18

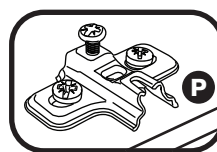
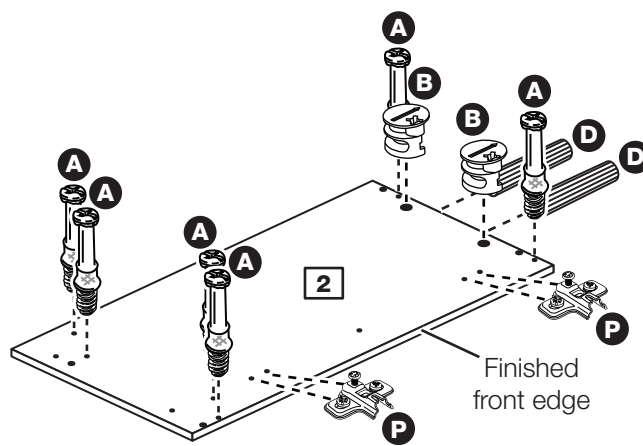
Prepare the right side

Screw 6 metal dowels **A** into the right side **2**.

Insert 2 large locking nuts **B** into the right side **2**.

Tap 2 wooden dowels **D** into the right side **2**.

Fit 2 hinge plates **P** onto the right side **2**, making sure that the slot is facing towards the finished front edge.

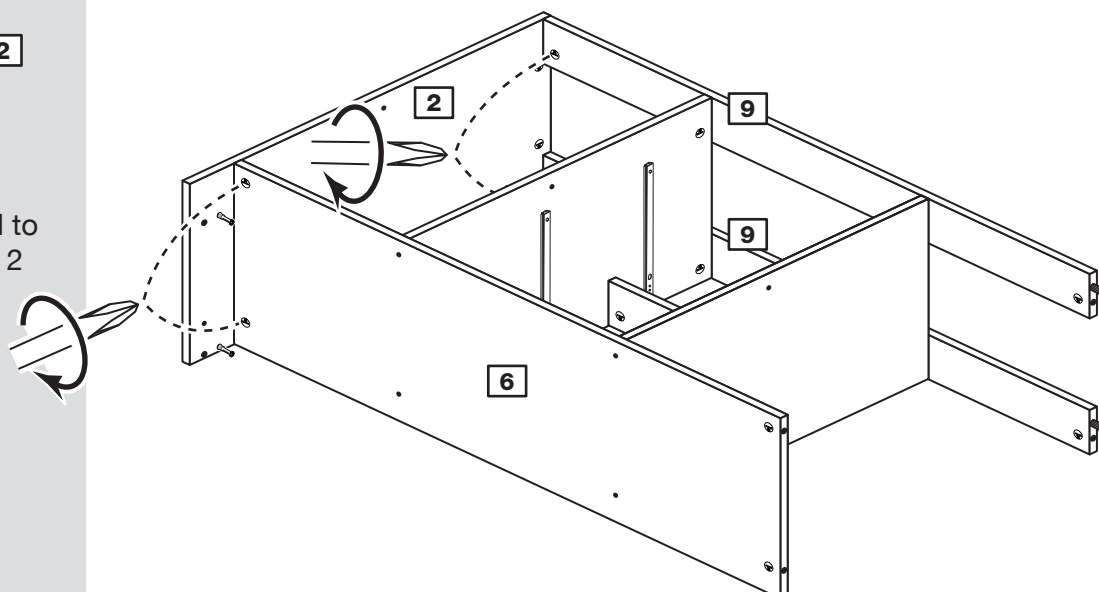


Step 19

Fit the right side

Push the right side **2** onto the assembly.

Use a screwdriver to tighten the 4 large locking nuts **B** fitted to the base **6** and the 2 long rails **9**.



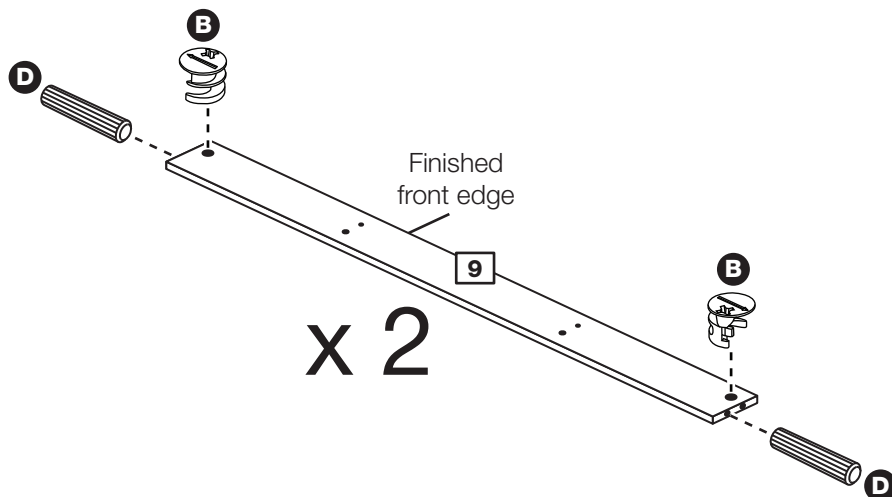
Assembly Instructions

Step 20

Prepare the other 2 long rails

Insert 2 large locking nuts **B** into each of the 2 long rails **9**.

Tap 2 wooden dowels **D** into each of the 2 long rails **9**.

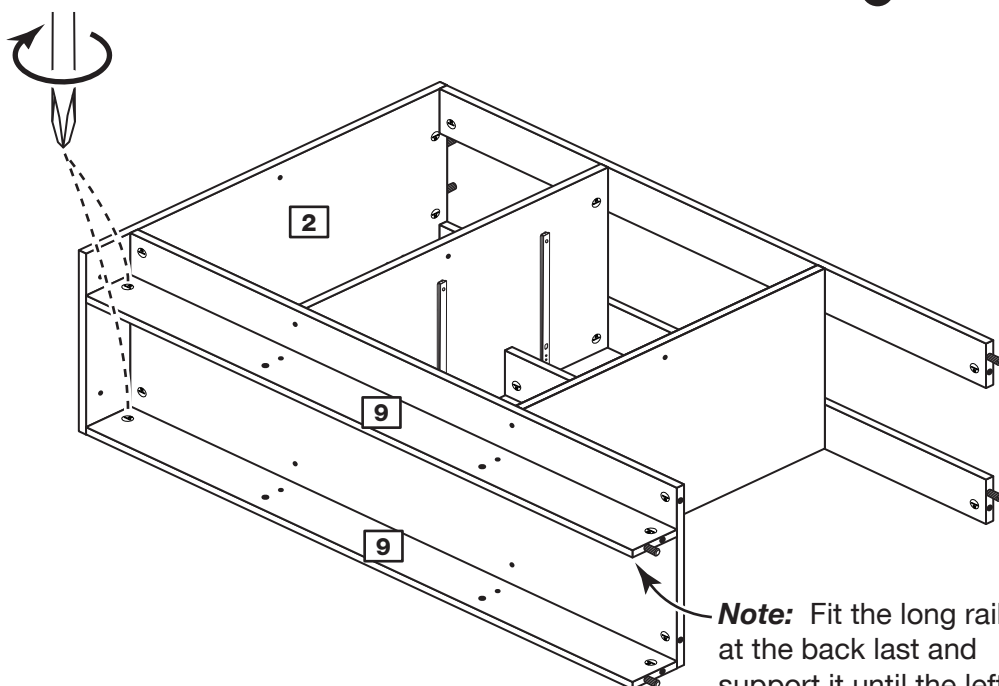


Step 21

Fit the 2 long rails

Push the 2 long rails **9** onto the right side **2**.

Use a screwdriver to tighten the 2 large locking nuts **B** fitted to the long rails **9**.

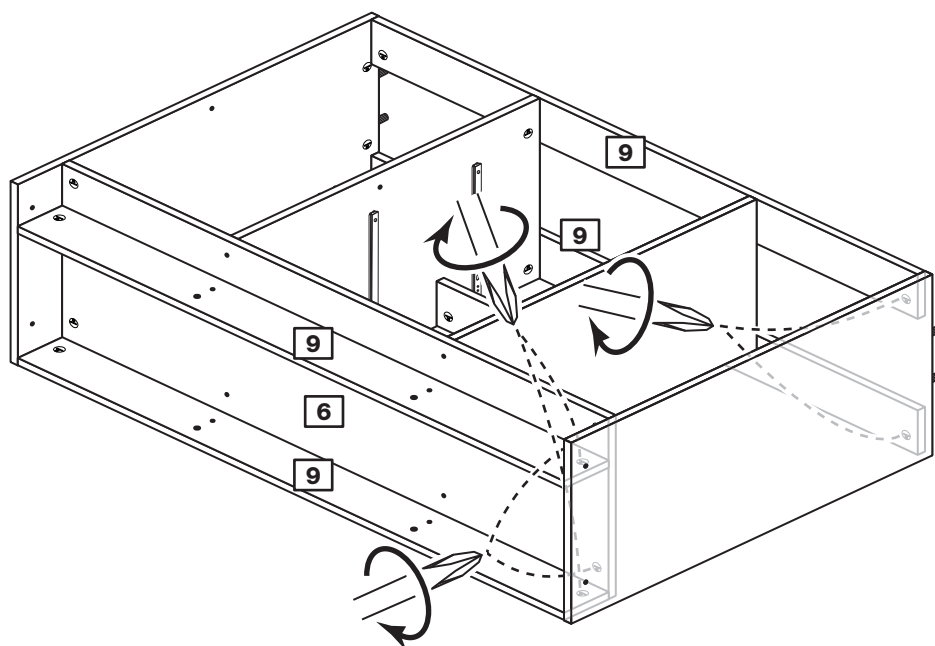


Step 22

Fit the left side

Push the left side **1** onto the assembly.

Use a screwdriver to tighten the 6 large locking nuts **B** fitted to the base **6** and the 4 long rails **9**.

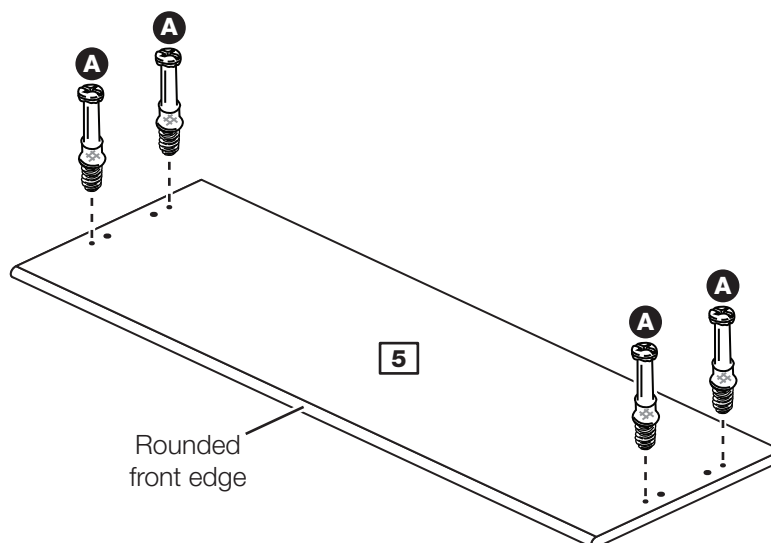


Assembly Instructions

Step 23

Prepare the top

Screw 4 metal dowels **A** into the top **5**.



Step 24

Fit the top

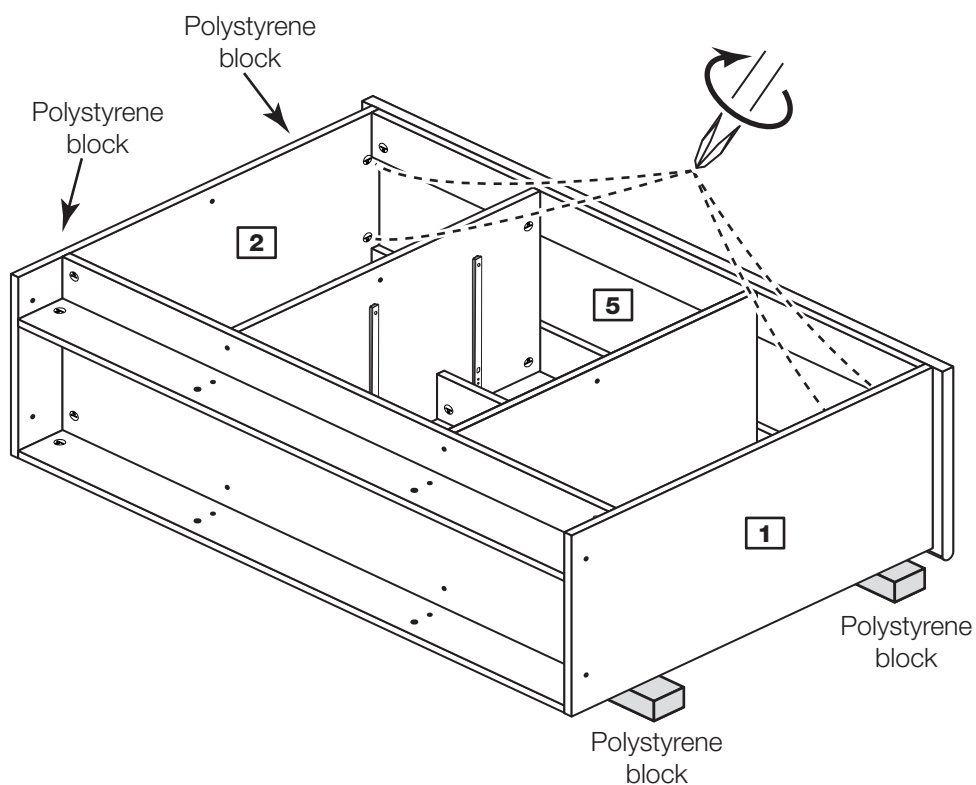
Note: To make it easier to fit the top and plinths, place polystyrene blocks from the packaging underneath the side panels to raise the assembly.

Push the top **5** onto the assembly.

Use a screwdriver to tighten the 4 large locking nuts **B** fitted to the sides **1** and **2**.



Warning: The unit is heavy. Lift with care.



Assembly Instructions

Step 25

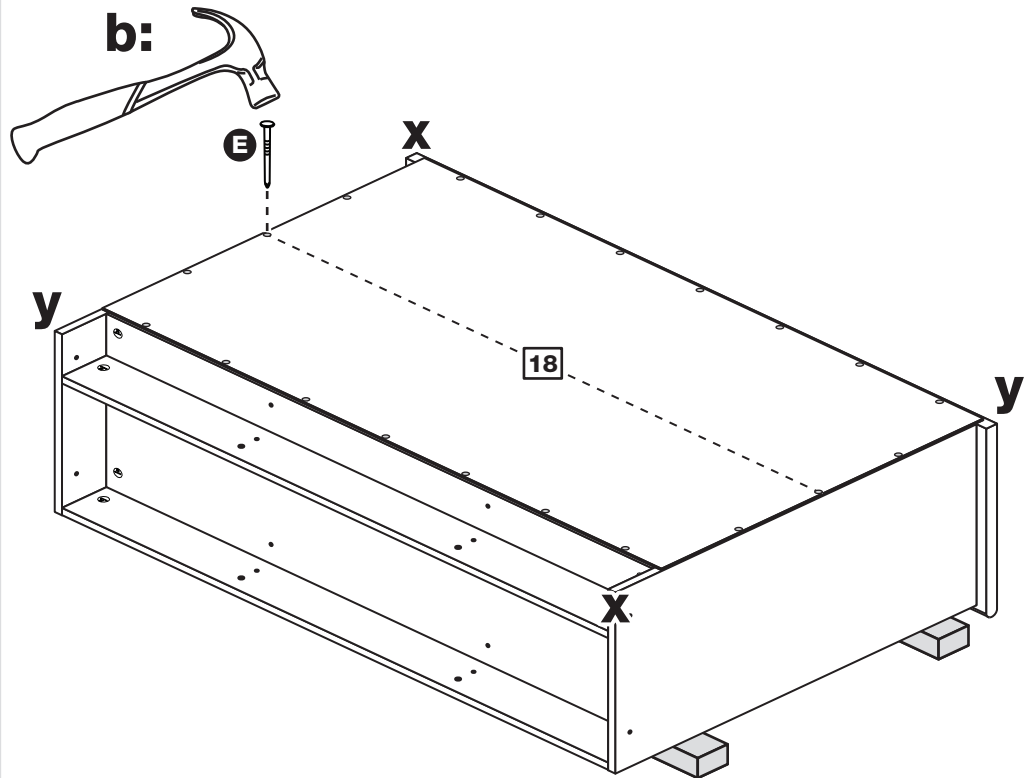
Fit the back

a: Square up the unit by making sure that measurement **x to x** equals **y to y**.

b: Place the back **18** onto the unit.

Nail **E** around the outside edges of the back **18**.

a: The measurement from top corner X to bottom corner X must be equal to the measurement from top corner Y to bottom corner Y

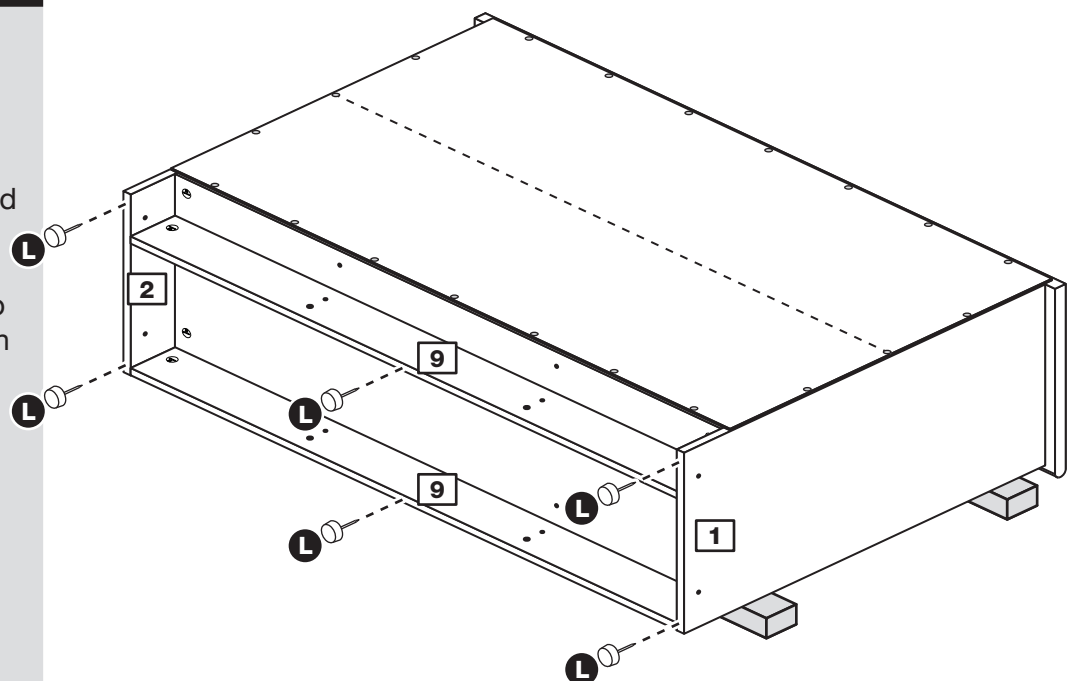


Step 26

Fit the 6 plastic nails

Tap 2 plastic nails **L** into the bottom edge of each of the sides **1** and **2**.

Tap a plastic nail **L** into the bottom edge of each of the long rails **9** fitted at the bottom of the unit.



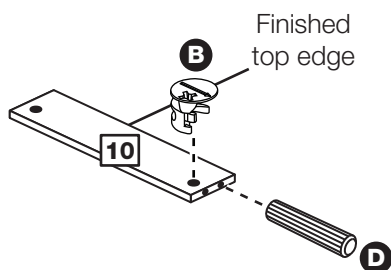
Assembly Instructions

Step 27

Prepare a side plinth

Insert a large locking nut **B** into 1 of the side plinths **10**.

Tap a wooden dowel **D** into the side plinth **10**.

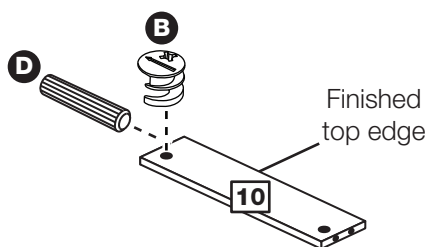


Step 28

Prepare the other side plinth

Insert a large locking nut **B** into the side plinth **10**.

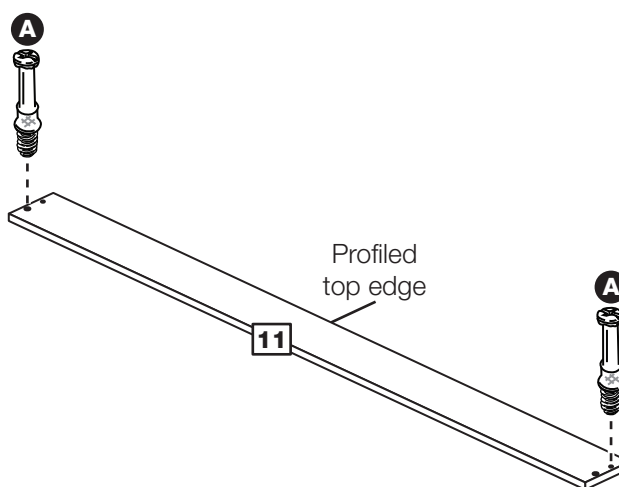
Tap a wooden dowel **D** into the side plinth **10**.



Step 29

Prepare the front plinth

Screw 2 metal dowels **A** into the front plinth **11**.

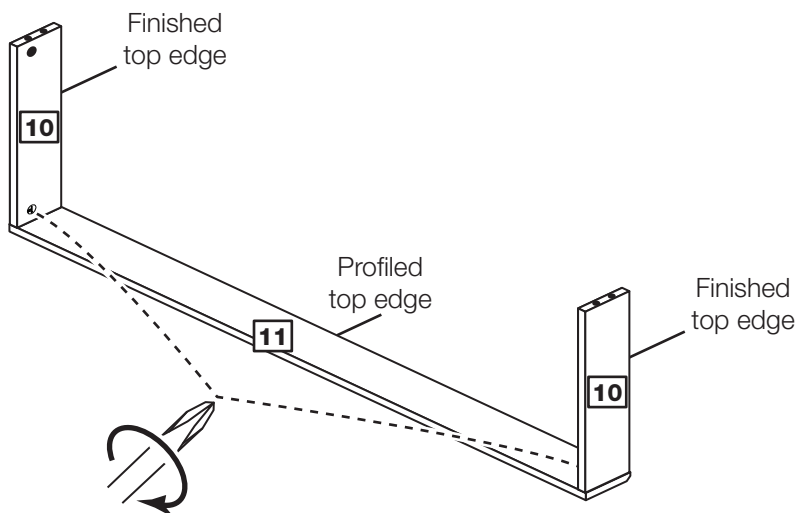


Step 30

Fit the plinths together

Push the 2 side plinths **10** onto the front plinth **11**.

Use a screwdriver to tighten the large locking nuts **B** fitted to the side plinths **10**.



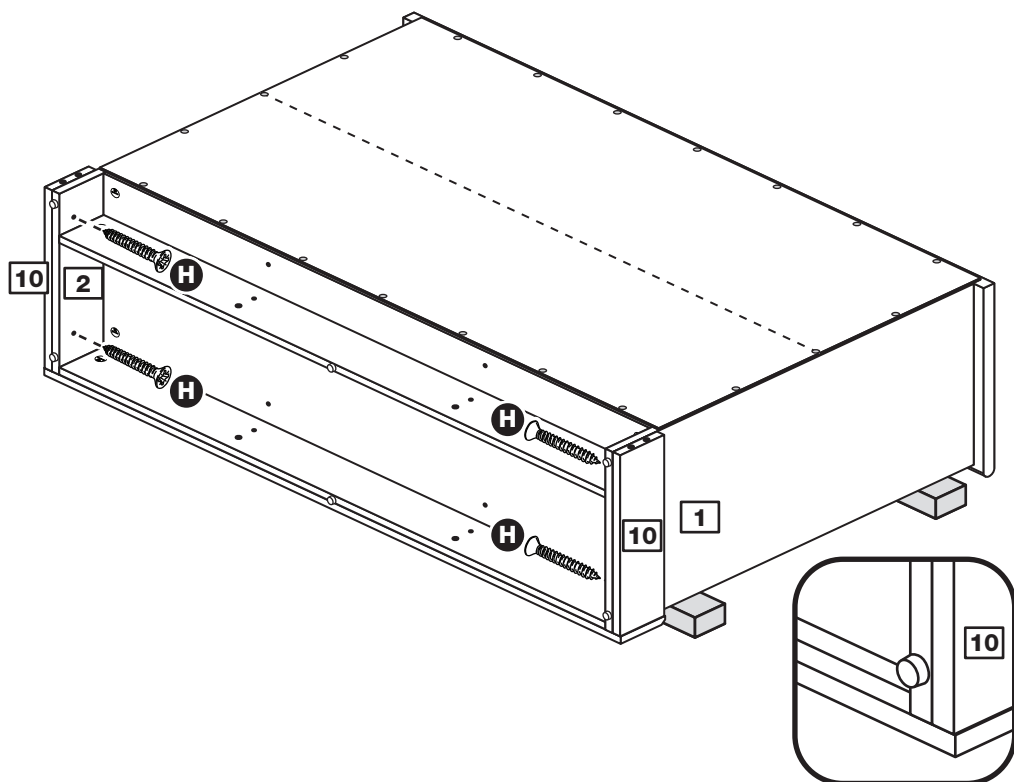
Assembly Instructions

Step 31

Fit the plinths

Position the 3 plinths onto the assembly ensuring that the bottom edge of the plinths are flush with the bottom edge of the sides, as shown.

Secure the 2 side plinths **10** through the left end **1** and right end **2** using 4 screws **H**



Step 32

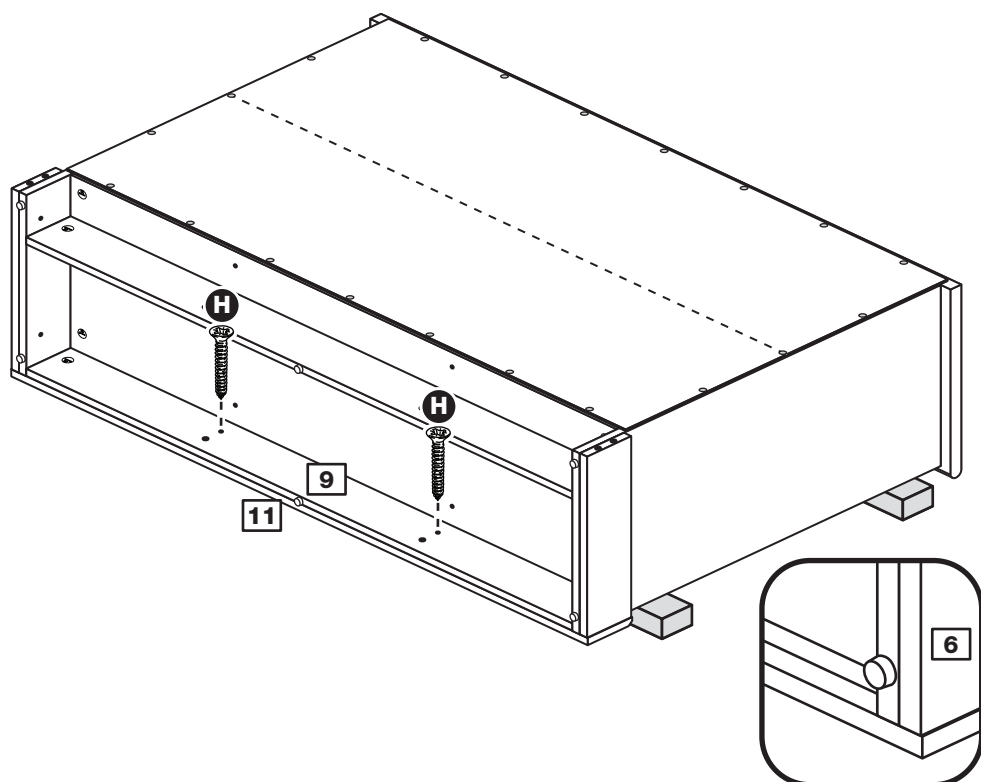
Secure the front plinth

Secure the front plinth through the long rail **9** using 2 screws **H**.

Carefully stand the unit up for the next step. **11**



Warning: The unit is heavy. Lift with care.

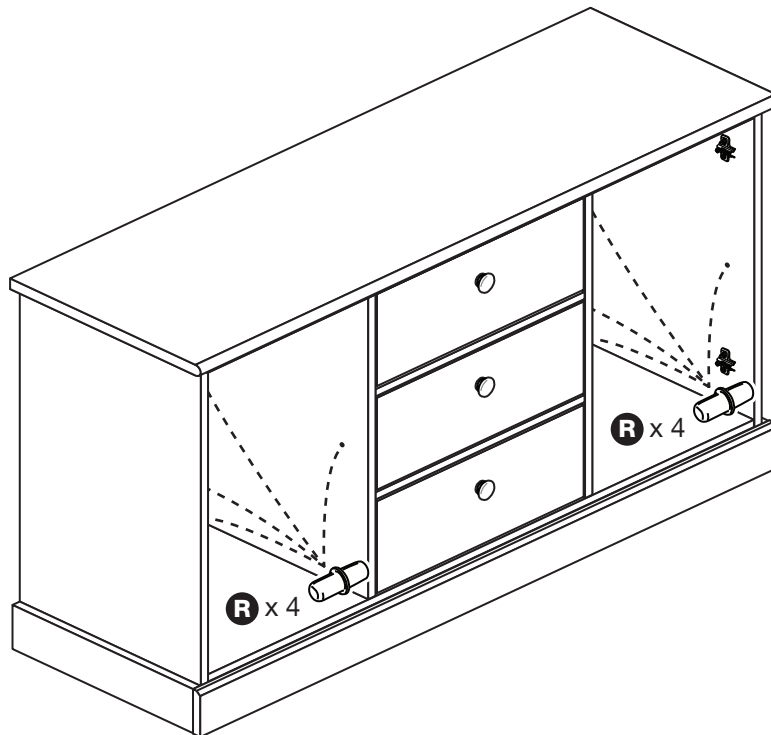


Assembly Instructions

Step 33

Fit the shelf studs

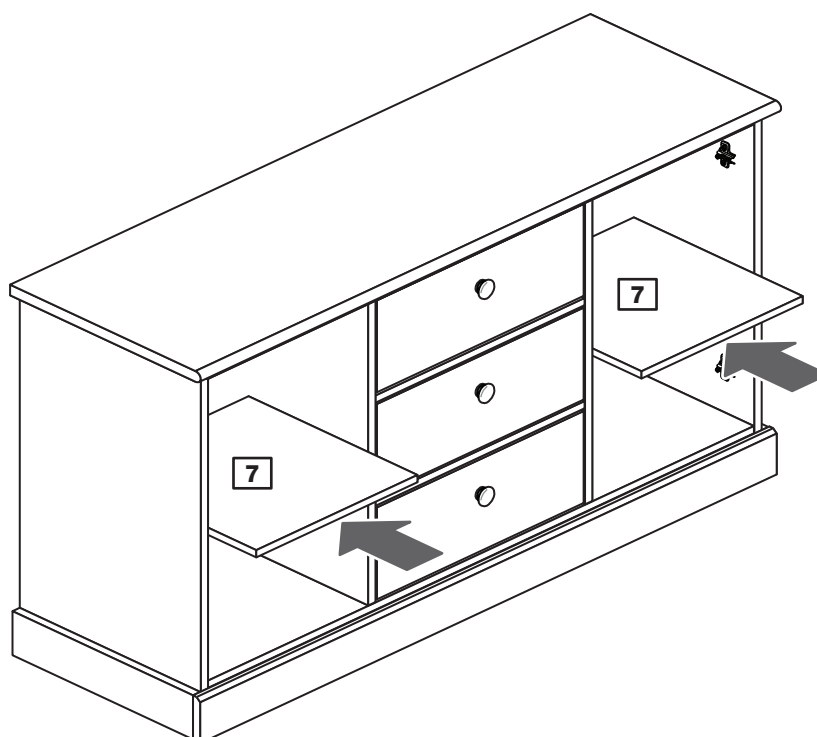
For each of the 2 shelves **7**, insert 4 shelf studs **R**.



Step 34

Fit the shelves

Lower the 2 shelves **7** down onto the shelf studs **R**.



Assembly Instructions

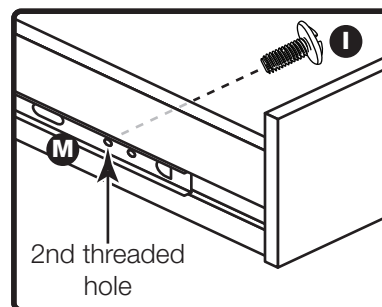
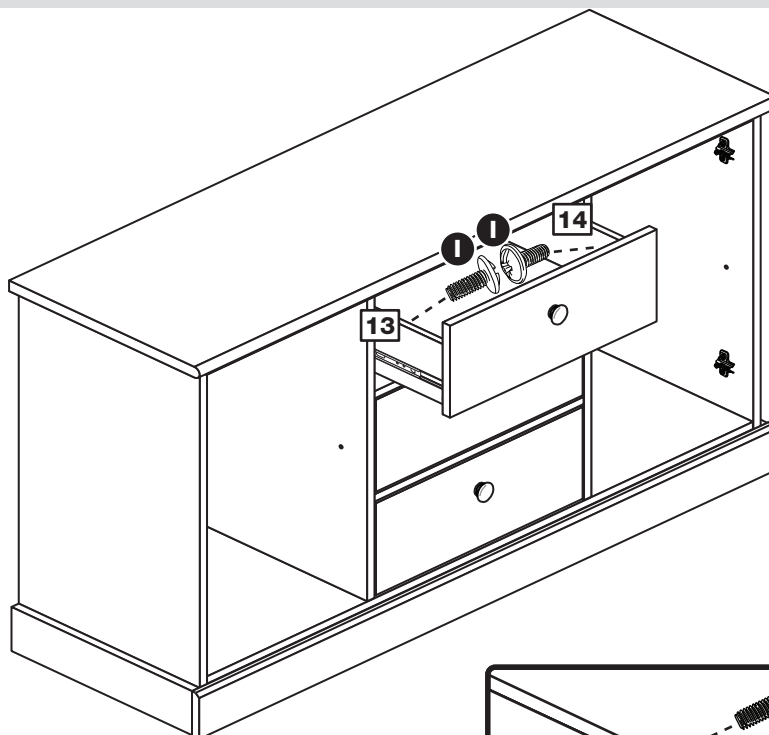
Step 35

Fit the drawers

Starting with the bottom drawer, slide both the runners **M** forward and locate the drawer sides **13** and **14** between them, lining up the holes in the drawer wrap with the 2nd 'threaded' holes in the runners **M**.

Working from the inside of the drawer, insert 2 screws **I** through the drawer sides and out into the 2nd threaded hole in the runner.

Note: Do not overtighten the screws **I**. If they catch on the runner you may need to loosen them slightly.



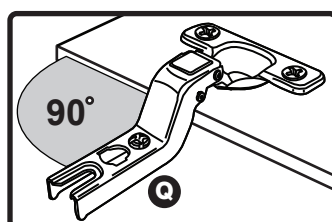
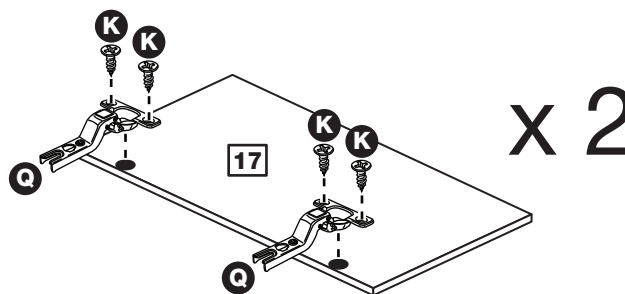
Step 36

Prepare the 2 doors

Push fit 2 hinges **Q** into each of the 2 doors **17**.

Secure each hinge with 2 screws **K**.

Note: Before securing with the screws, make sure that the hinges are positioned at 90 degrees with the edge of the door.



Assembly Instructions

Step 37

Fit doors and handles

Note: The easiest way to attach each door **17** is to fit the top hinge first, then align and fit the other hinge.

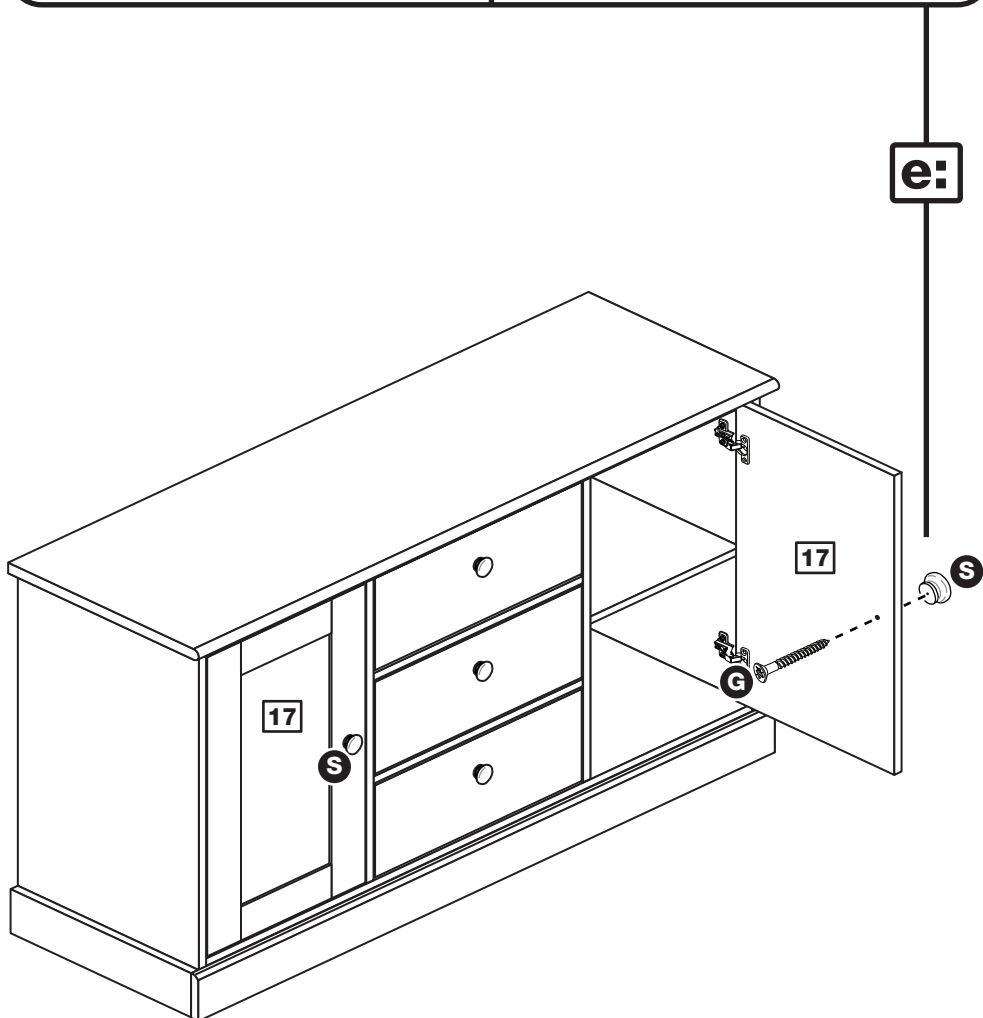
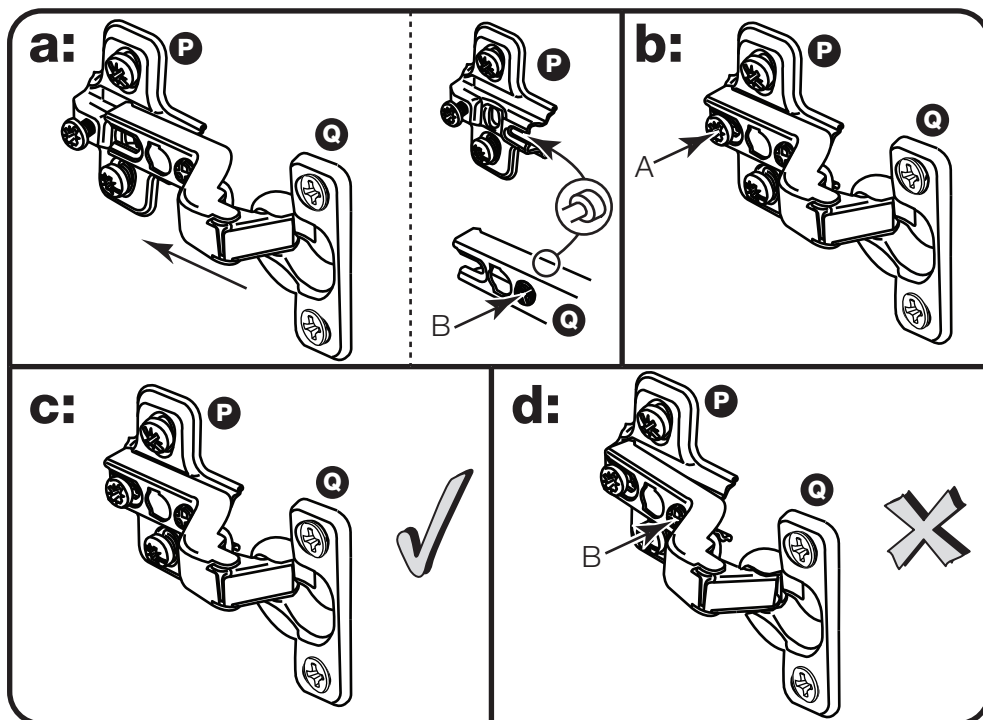
a: Push the hinge **Q** onto the front part of the hinge plate **P**. The recess at the bottom of screw B goes into the slot in the hinge plate.

b: Keep the hinge **Q** FLAT against the hinge plate **P** as you slide it across as far as it will go. Tighten screw A.

c: The hinge **Q** must be flat against the hinge plate **P** prior to any adjustment.

d: The hinge **Q** must NOT be AT AN ANGLE to the hinge plate **P** when assembled. This would indicate that the recess at the bottom of screw B had not located in the slot in the hinge plate and the hinge would not be secure. Remove the hinge from the hinge plate and then re-assemble being careful to follow instructions a-c.

e: Attach a handle **S** to each door **17** using screws **G**.



Assembly Instructions

Step 38

Adjust the doors if needed

a: Before adjusting the doors, use a spirit level to check the base (or top) of the unit is level, front-to-back and side-to-side in the 3 positions shown. Use suitable packing pieces (not supplied) to make the unit level BEFORE making any adjustment to the hinges, as shown.

b: Height adjustment.

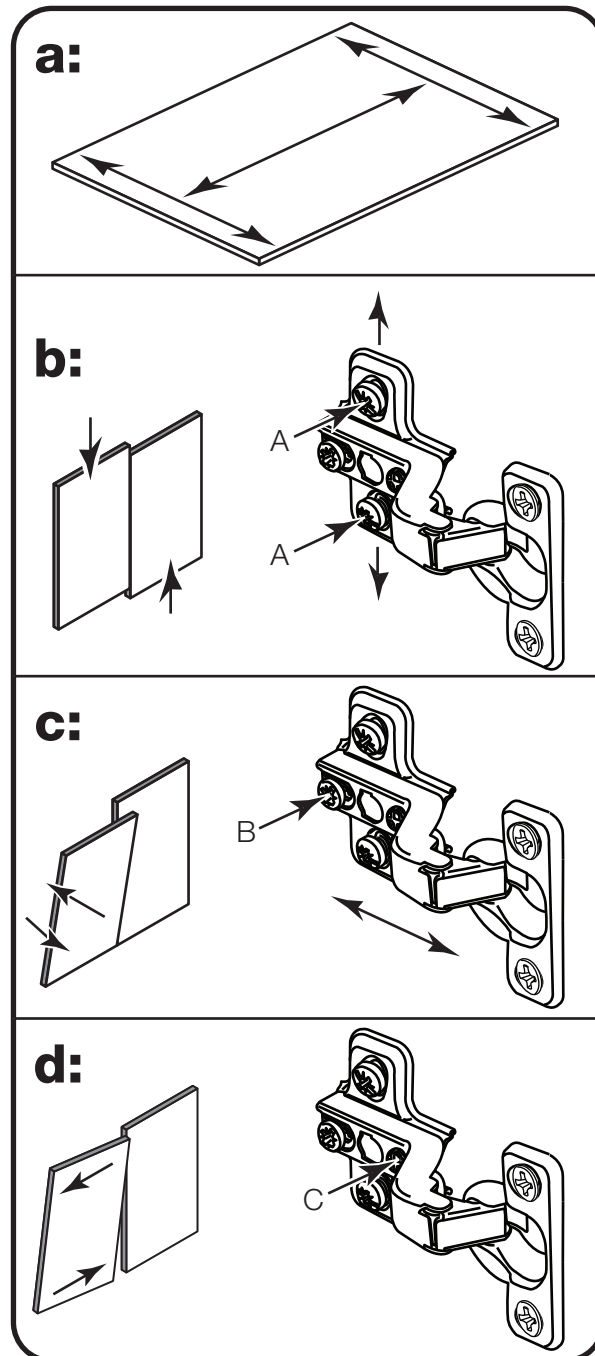
Loosen screws A on hinge plates and move door up or down as required. Retighten screw A.

c: Forward and Back adjustment.

Loosen screw B on hinge plate and move door in or out as required. Retighten screw B.

d: Sideways adjustment.

To move door 'out' loosen screw C. To move door 'in' tighten screw C.



Assembly Instructions

Step 39

Fit the overbalance protector kit

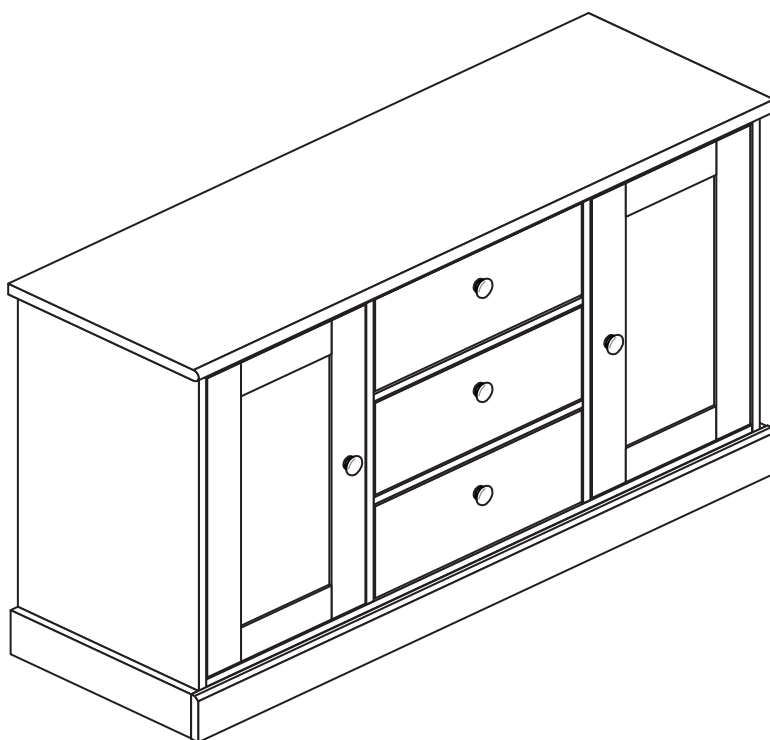
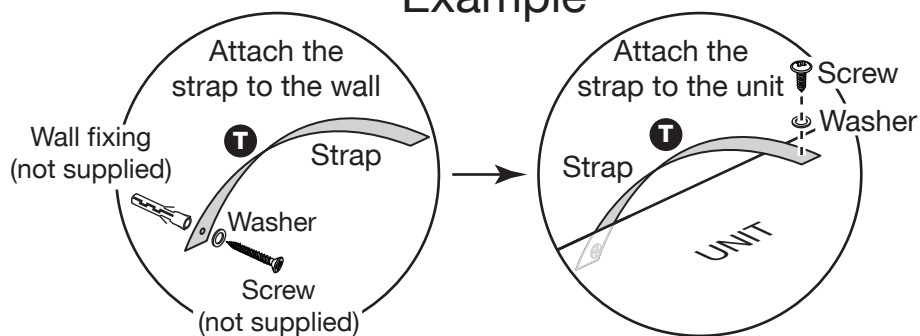
To prevent possible overbalancing we recommend that this unit is secured to a suitable wall by fitting of the overbalance protector kit **T** to the unit, or an alternative fixing method of your choice.

Wall fixings are not supplied as they will need to suit the wall type.

Note: Take care when drilling the wall that you do not drill into any pipes, wires etc. If in doubt, consult an expert.

Assembly is complete

Example



If you need help or have damaged or missing parts, please visit www.argos-support.co.uk or email: Help@ClickSpares.co.uk (quoting your original order number)
Alternatively, call the Spares Helpline on: 0370 112 1928.
For any other queries please contact the Customer Helpline on: 0345 640 2020

