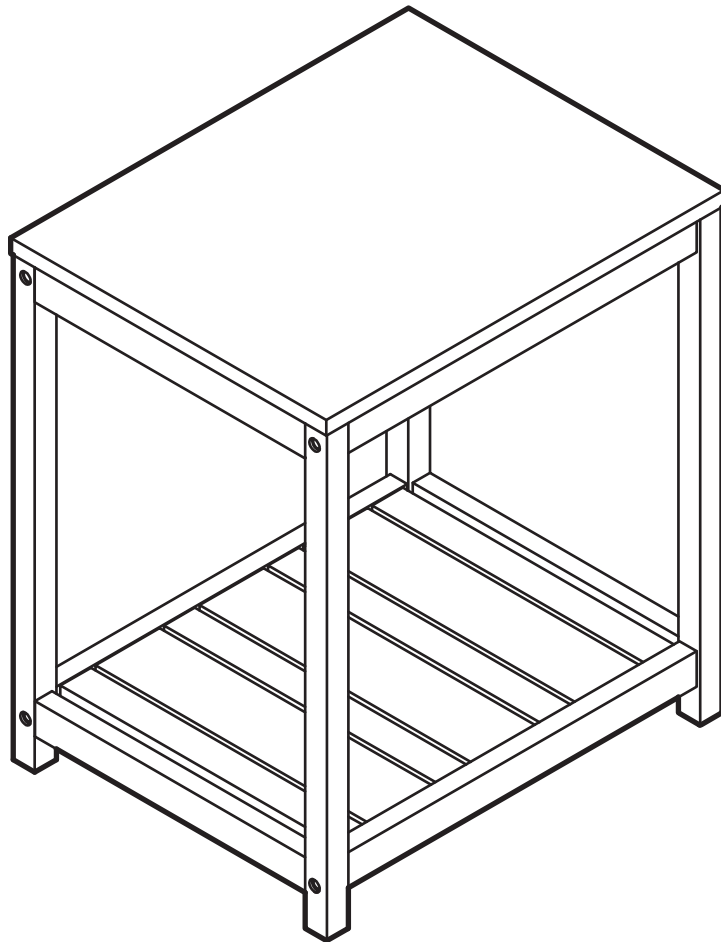



habitat 

OLDEANIA BAMBOO




Spare Parts

 www.argos-support.co.uk

 Help@ClickSpares.co.uk

 0370 112 1928

Customer Support

 0345 640 2020



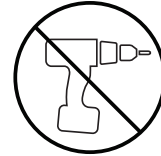
Safety and Care Advice

Product Details

Hab Oldeania Bamboo Side Table
4165446

IMPORTANT, RETAIN FOR FUTURE REFERENCE: READ CAREFULLY.

- Keep children and animals away from the work area, small parts could choke if swallowed.
- Assemble the item as close to its final position (in the same room) as possible.
- Assemble on a soft level surface to avoid damaging the unit or your floor.
- We do not recommend the use of power drill/drivers for inserting screws as this could damage the unit. Only use hand screwdrivers.
- Parts of the assembly will be easier with 2 people.
- Dispose of all packaging carefully and responsibly.



Care and maintenance

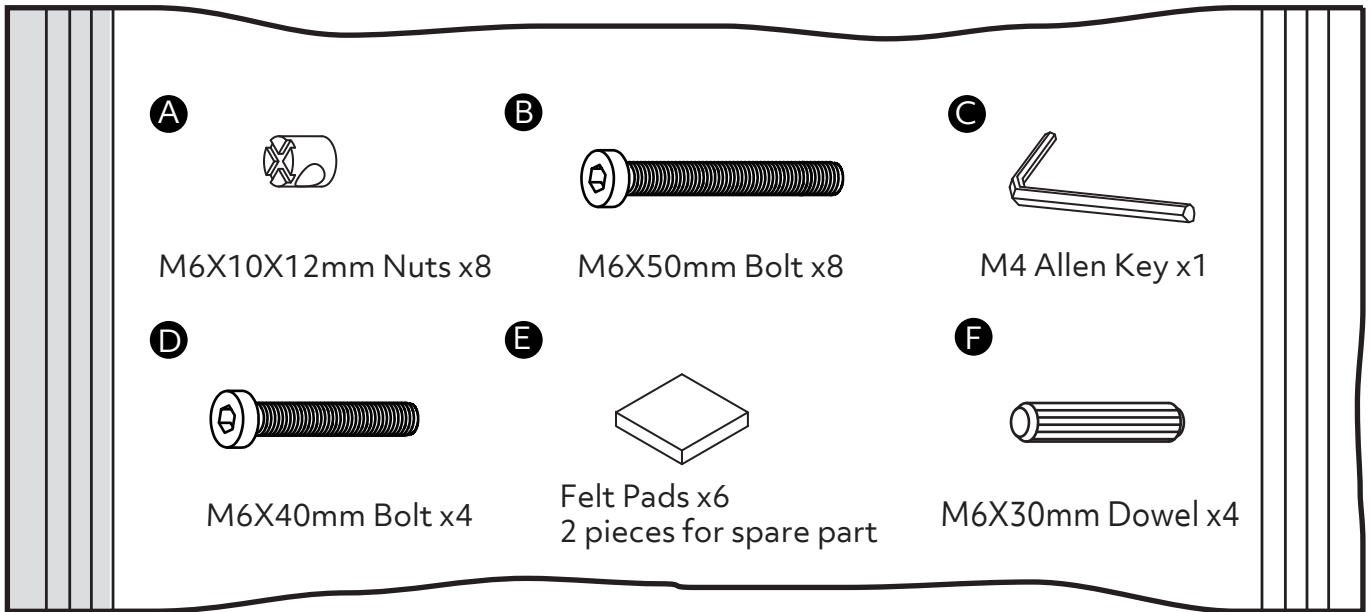
- Only clean using a damp cloth and mild detergent. Do not use abrasive cleaners.
- From time to time check that there are no loose screws, nuts or bolts. If there are please re-tighten.
- This product should not be discarded with household waste. Take to your local authority waste disposal centre.
- Use a dry cloth to clean the product, furniture polish is not recommended.

Additional Guidance

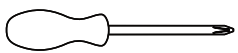
- Assemble all parts and bolts loosely during assembly, only once the product is complete should you fully tighten the bolts.
- Regularly check and ensure that all bolts and fittings are tightened properly.
- Maximum loading weight 50kg, Shelf maximum loading weight 20kg.
- This product is compliant EN12521.
- Any additional or replacement parts are obtained from the manufacturer.

Fittings (Shown to scale)

Bag 1

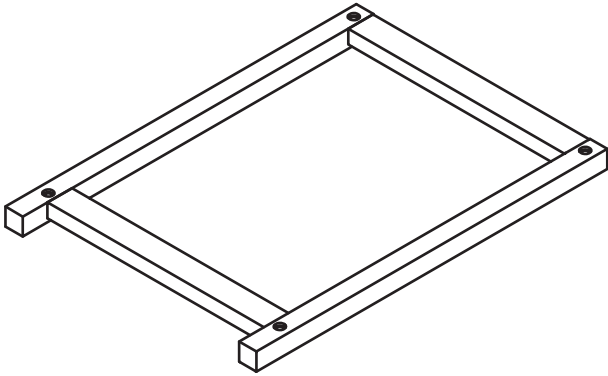


Tools required

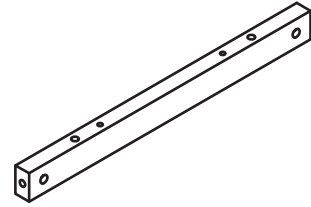


Phillips screwdriver
(small & medium)

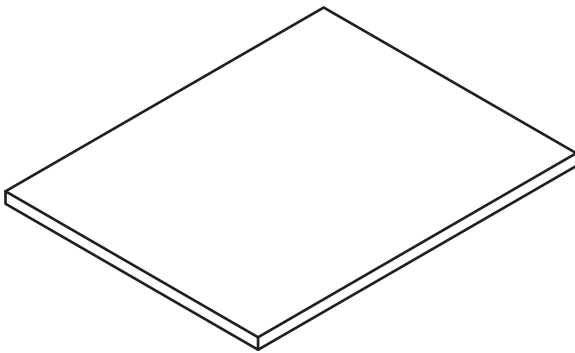
Part



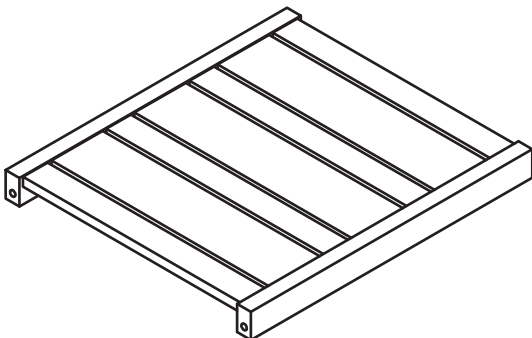
1 Side Frame
(485 x 345 x 24mm) (x2)



4 Support Rail
(387x 34 x 19mm) (x2)

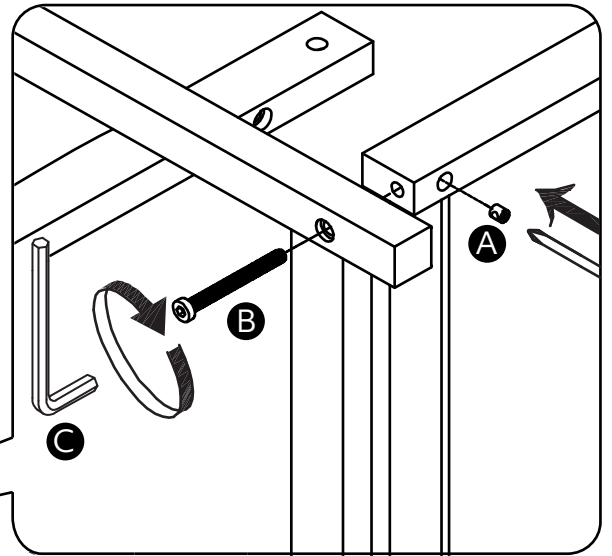
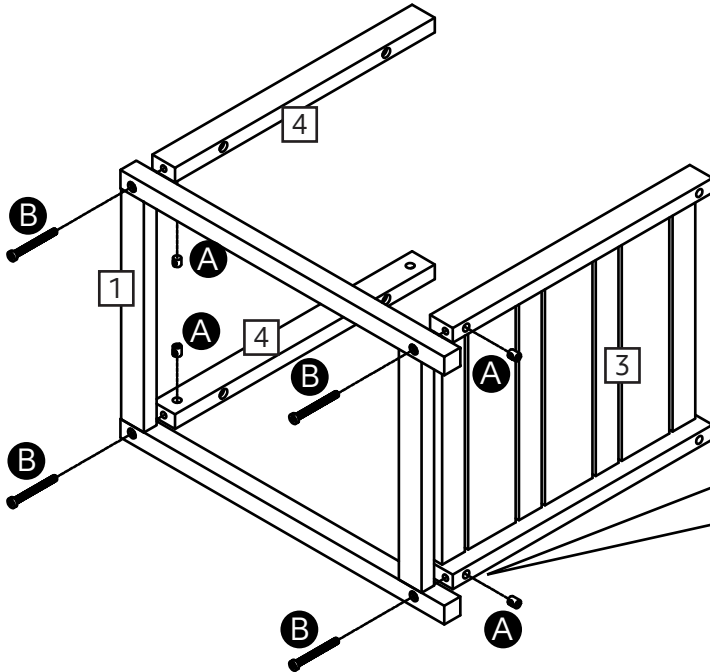
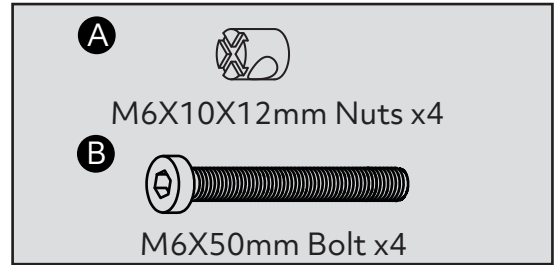
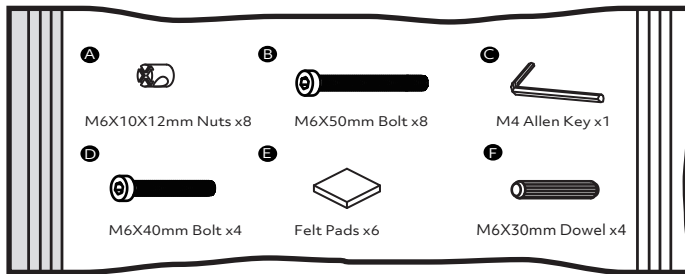


2 Top Panel
(441x 351 x 15mm)

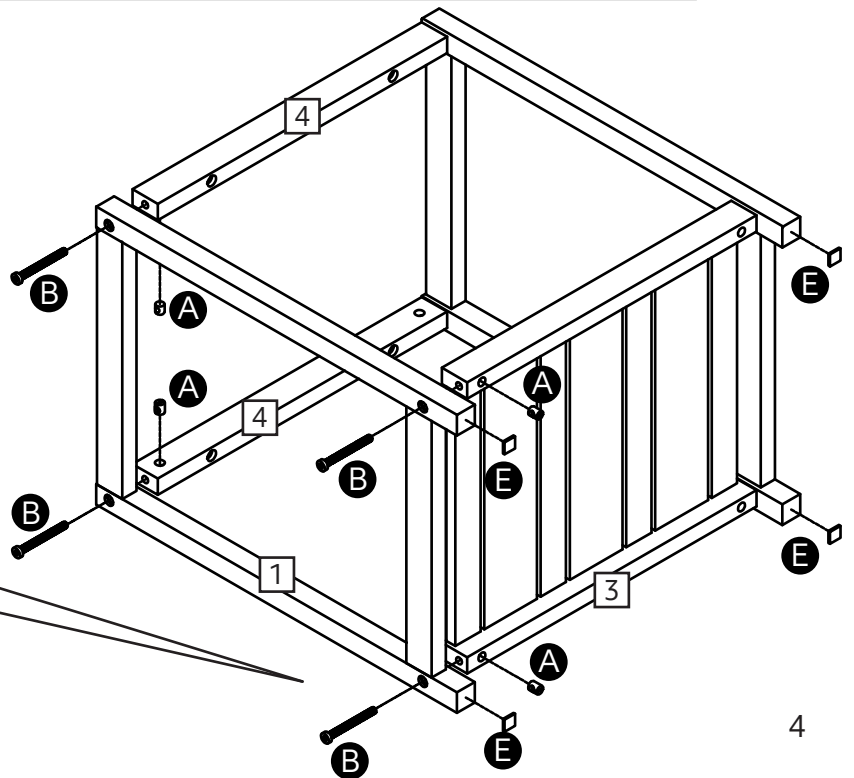
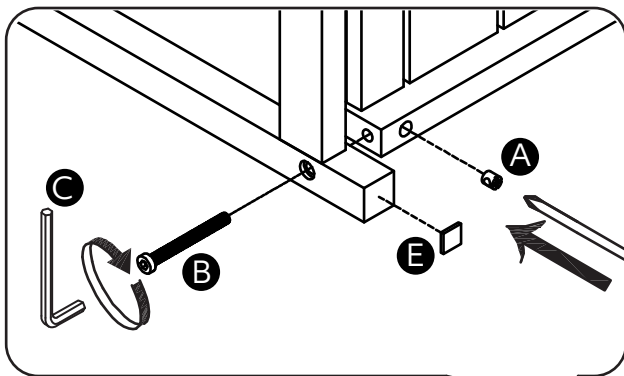
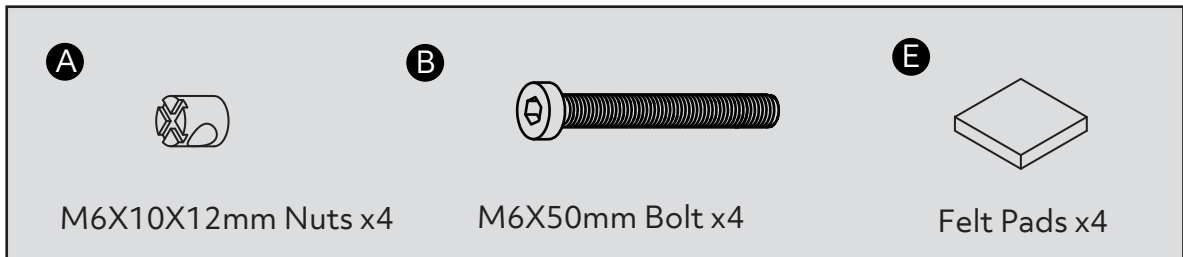


3 Bottom Panel
(387x 339 x 34mm)

1



2



3

D

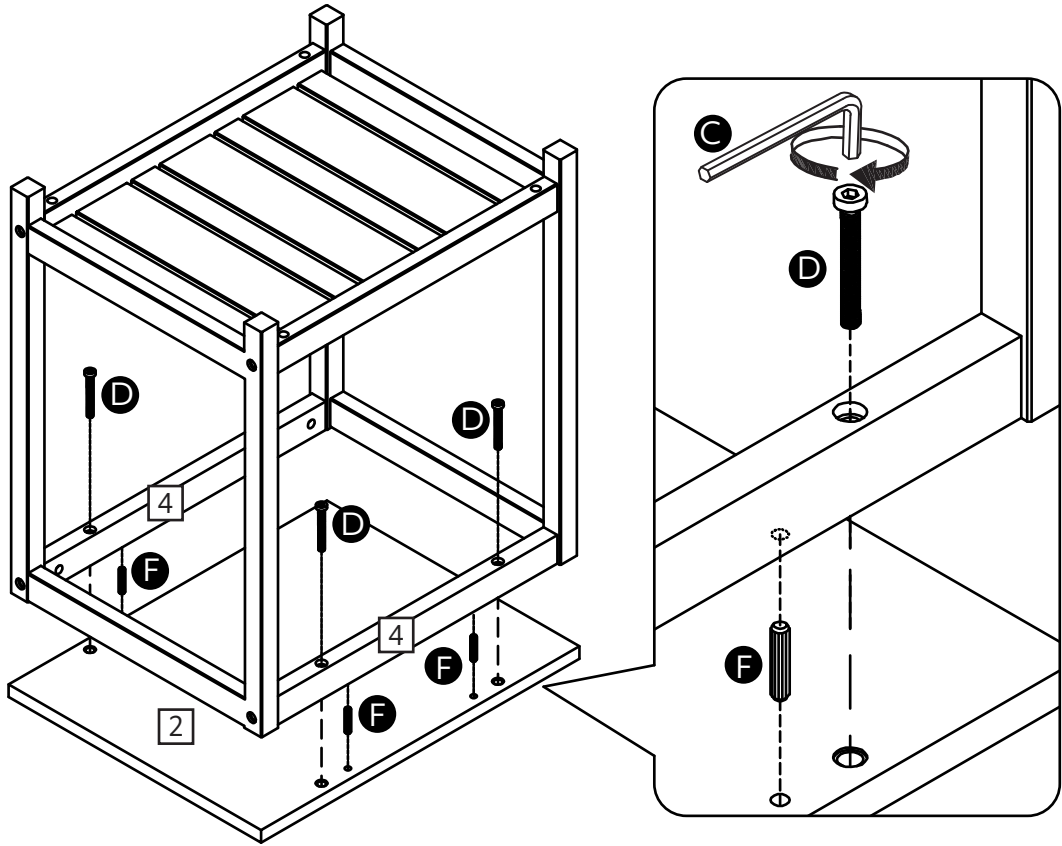


M6X40mm Bolt x4

F



M6X30mm Dowel x4



4



Please Note!

If necessary this unit can be levelled up on uneven floors using the felt feet pads provided.

