

Chloe Nest of Tables

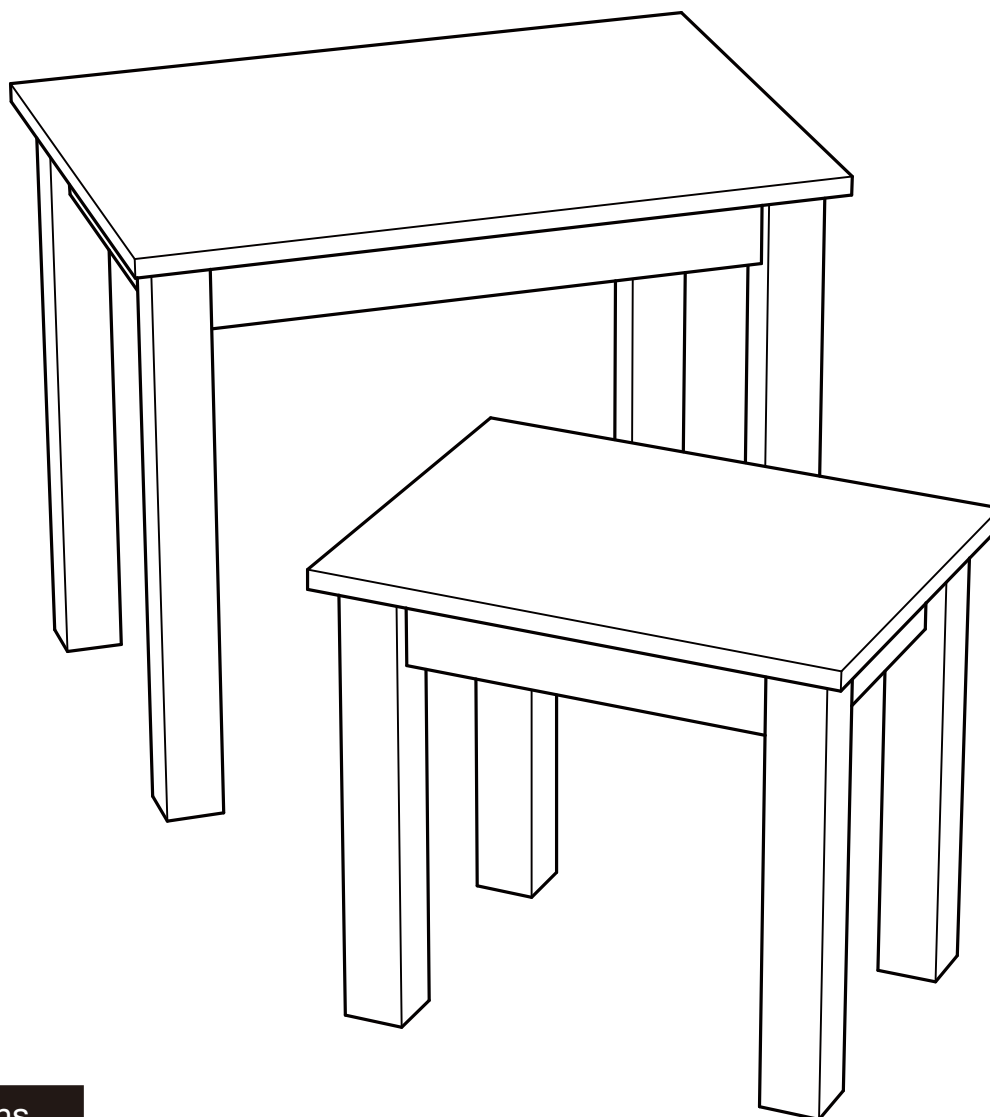
Assembly Instructions - Please keep for future reference

609/1439

609/1893

609/6300

415/9672



Dimensions

Large / Small

Width - 56/40cm

Depth - 40/30cm

Height - 47/35.5cm

Important - Please read these instructions fully before starting assembly

If you need help or have damaged or missing parts, call the **Customer Helpline:**
Argos = 0345 6400800



Safety and Care Advice

Important – Please read these instructions fully before starting assembly

- Check you have all the components and tools listed on the following pages.
- Remove all fittings from the plastic bags and separate them into their groups.
- Keep children and animals away from the work area, small parts could choke if swallowed.
- Make sure you have enough space to layout the parts before starting.

- During assembly do not stand or put weight on the product, this could cause damage.
- Assemble the item as close to its final position (in the same room) as possible.
- Assemble on a soft level surface to avoid damaging the unit or your floor.
- Parts of the assembly will be easier with 2 people.



power drill is set on a low torque setting.

- To reduce the likelihood of damaging your product please ensure that your

Care and maintenance

• Only clean using a damp cloth and mild detergent, do not use bleach or abrasive cleaners.

• From time to time check that there are no loose screws on this unit.

• This product should not be discarded with household waste. Take to your local authority waste disposal centre.

Handy Hints

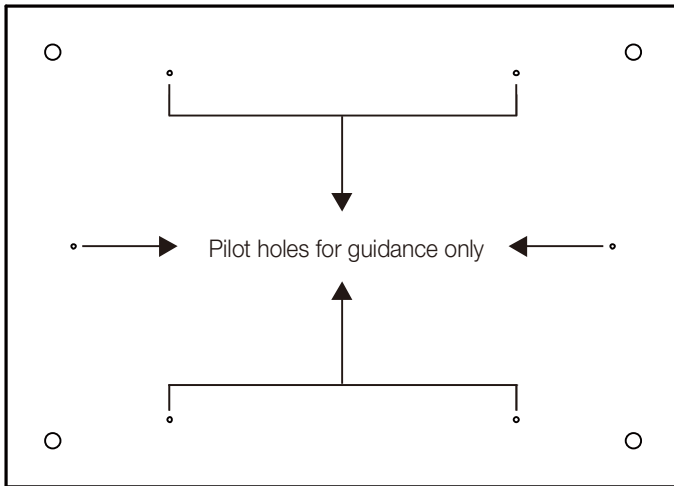
• Assemble all parts and bolts loosely during assembly, only once the product is complete should you fully tighten the bolts

• Regularly check and ensure that all bolts and fittings are tightened properly.

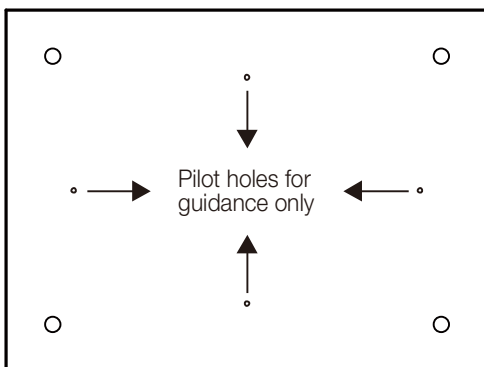
Components - Panels

If you have damaged or missing components, call the
Customer Helpline: Argos = 0345 6400800

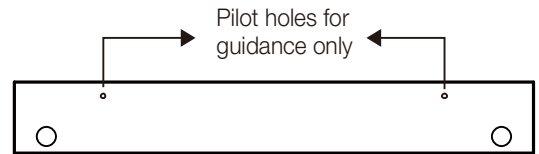
Please check you have all the panels listed below



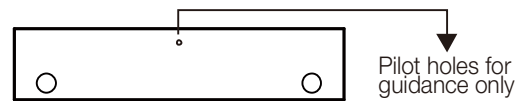
1 Large table top (56 x 40cm)



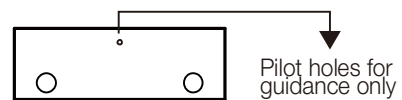
2 Small table top (40 x 30cm)



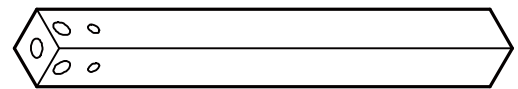
3 Large support x 2 (43.8 x 6cm)



4 Medium support x 4 (27.8 x 6cm)



5 Small support x 2 (17.8 x 6cm)



6 Large leg x 4 (45.5 x 4.5cm)








7 Small leg x 4 (34 x 4.5cm)

Components - Fittings

Please check you have all the fittings listed below

Note: The quantities below are the correct amount to complete the assembly. in some cases more fittings may be supplied than are required.

<p>A </p> <p>40mm Dowel x 24</p>	<p>B </p> <p>43mm Locking pin x 16</p>	<p>C </p> <p>14mm Screw x 20</p>
<p>D </p> <p>15mm Locking nut x 16</p>	<p>E </p> <p>Plastic support x 10</p>	

Tools required



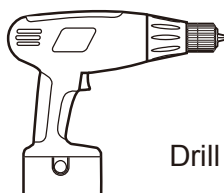
Phillips screwdriver
(medium & large)



Flatblade screwdriver
(medium)



7mm Suitable drill bit
(for use with wall plug)



Drill



Small
hammer

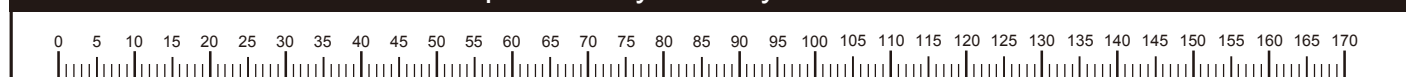


Ruler/tape
measure



Eye protection
(when using a
hammer or glue)

Ruler - Use this ruler to help correctly identify the screws



The screws length is measured from the head to the point (30mm screw shown).

Assembly Instructions

Step 1

Fitting the large legs

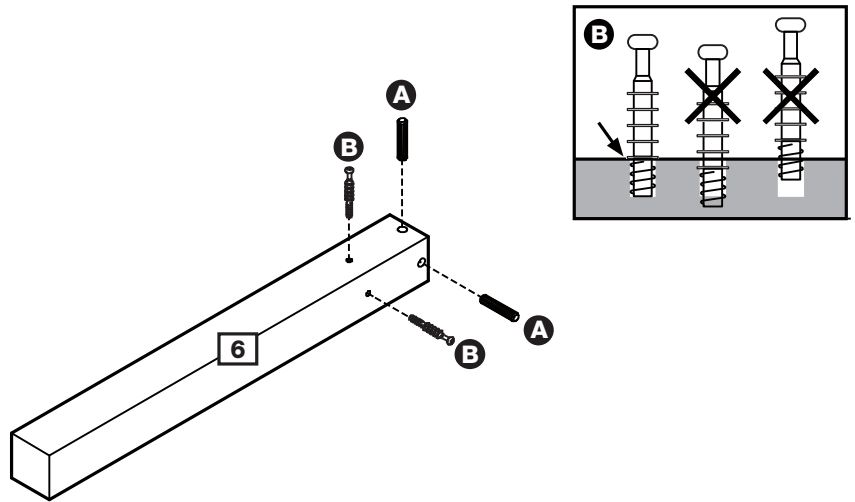
a: Insert Dowels **A** into the Large legs **6**.

Screw Locking pins **B** into the Large legs **6**.

Note: Insert Locking pins as far as shown.

Do not over tighten.

a:



X 4

Note: It would be useful to ask someone to help you at this stage.

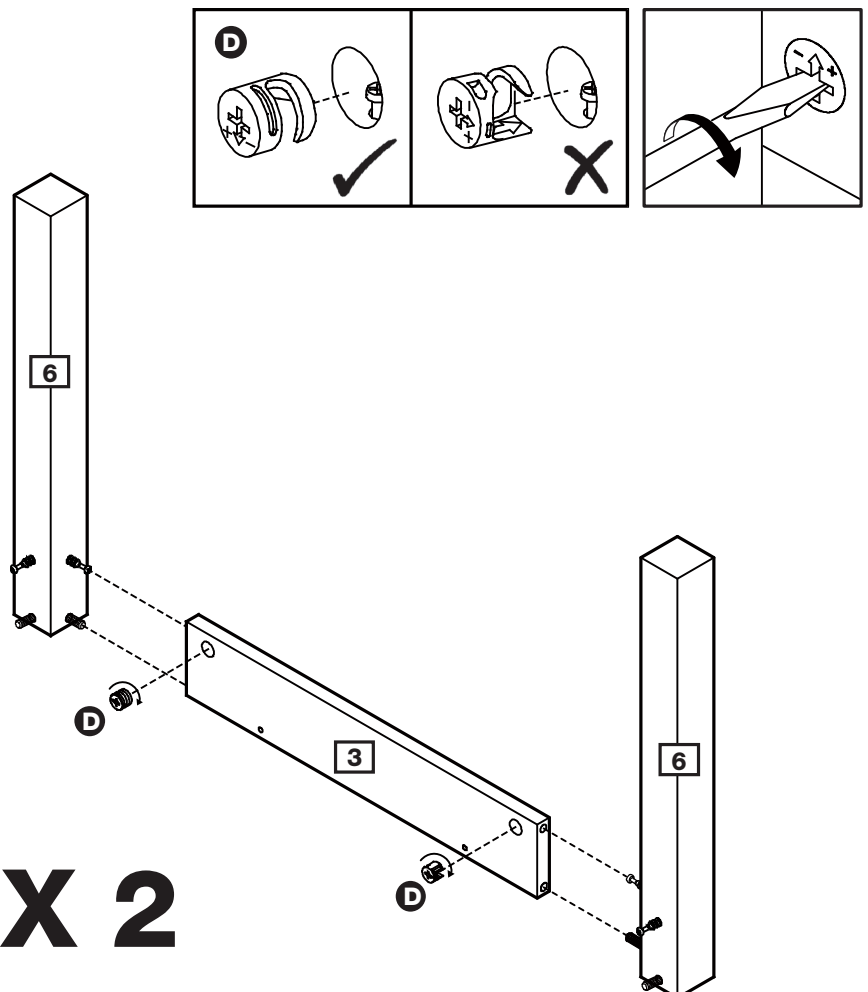
b: Use Locking nuts **D** to fix the Large legs **6** onto the Large support **3**.

Use a screwdriver to turn Locking nuts **D** clockwise to lock.

Note: The screw holes on the legs and support should align.

Note: Follow the same method as in fig. b to assemble the other legs.

b:



X 2

Continued on next page.

Assembly Instructions

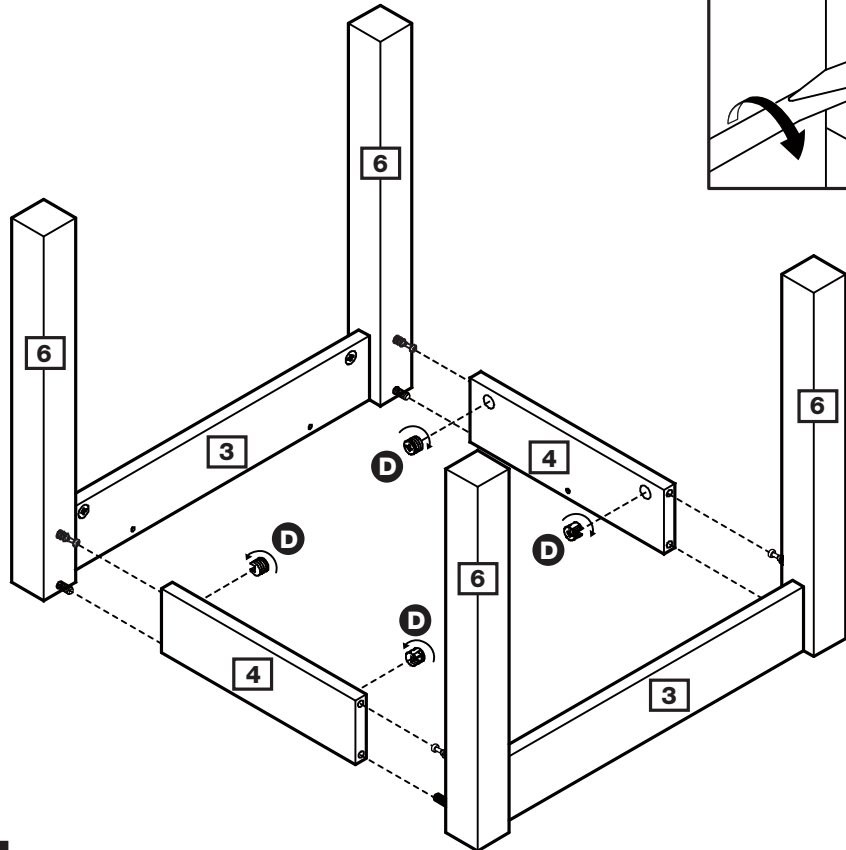
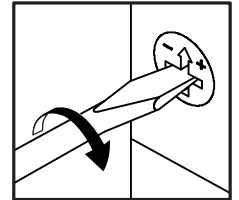
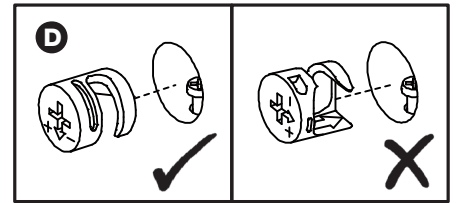
Step 1 - continued

c: Use Locking nuts **D** to fix the Large legs **6** onto the Medium supports **4**.

Use a screwdriver to turn Locking nuts **D** clockwise to lock.

Note: The screw holes on the medium supports should face inward.

c:

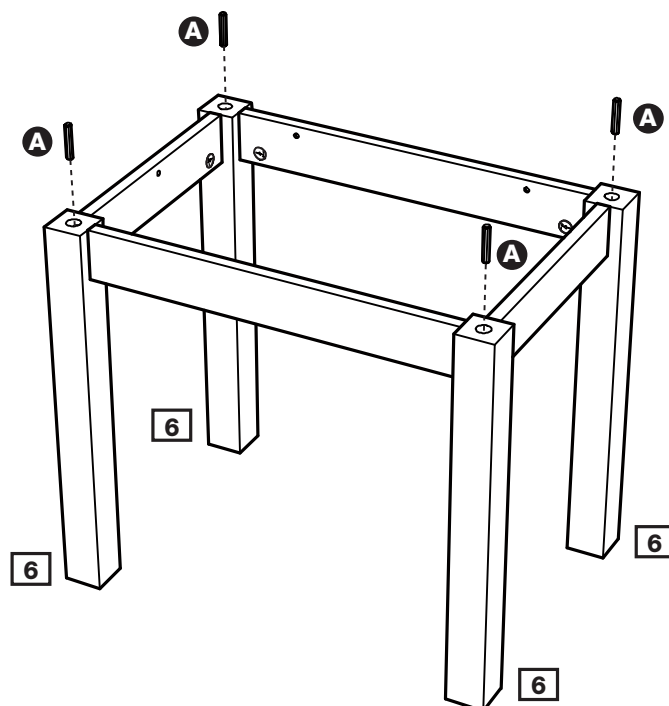


Step 2

Fitting the large table top

a: Insert Dowels **A** fully into the Large legs **6**.

a:



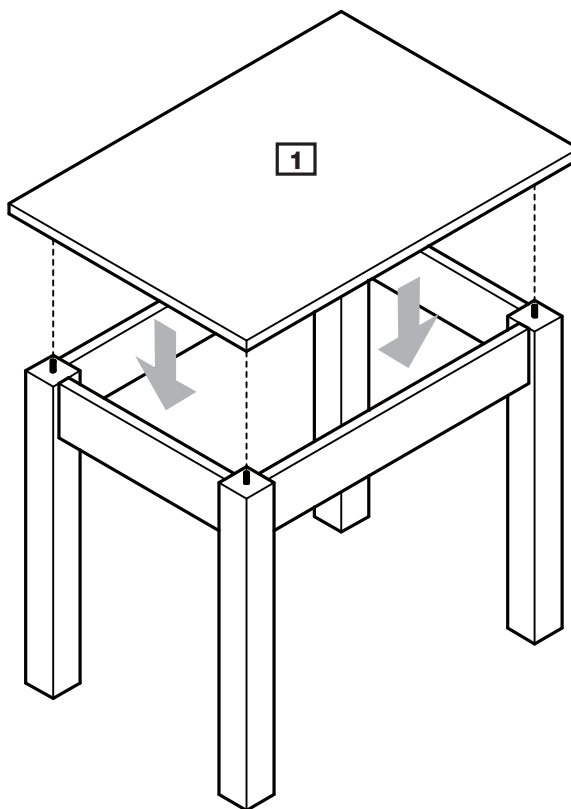
Continued on next page.

Assembly Instructions

Step 2 - continued

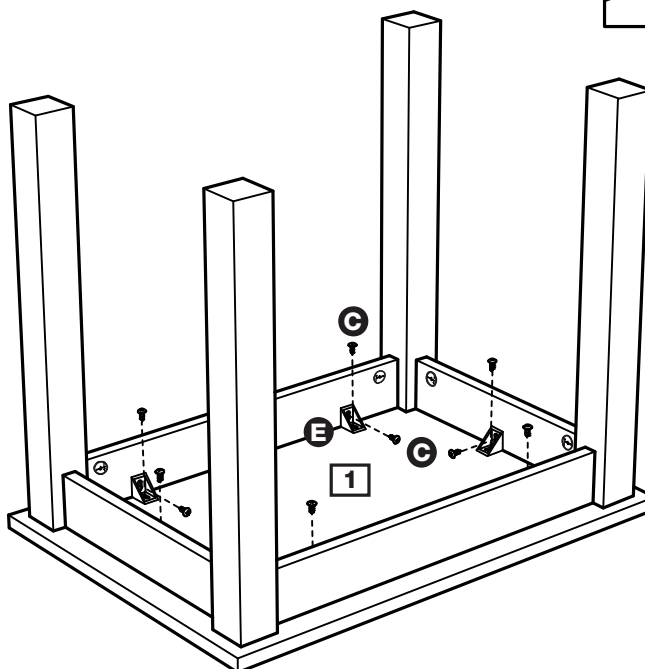
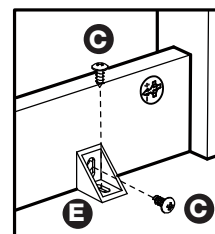
b: Carefully locate the Large table top **1** onto the unit.

b:



c: Use Screws **C** to fix Plastic supports **E** onto the Large table top **1**.

c:

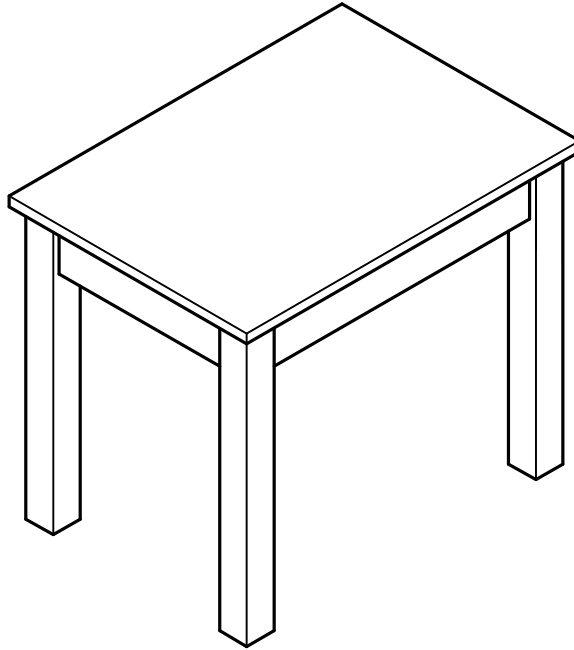


Assembly Instructions

Step 3

Finishing the large table

Carefully turn the table upright.



Step 4

Fitting the small legs

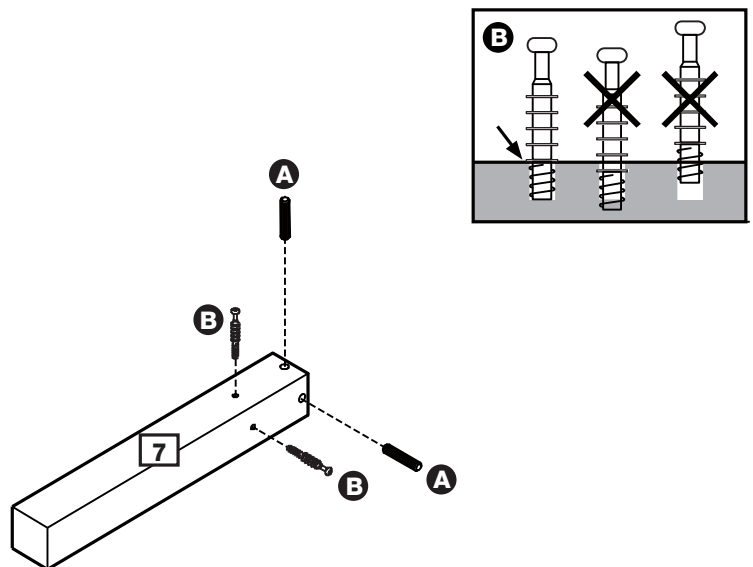
a: Insert Dowels **A** into the Small legs **7**.

Screw Locking pins **B** into the Small legs **7**.

Note: Insert Locking pins as far as shown.

Do not over tighten.

a:



X 4

Continued on next page.

Assembly Instructions

Step 4 - continued

Note: It would be useful to ask someone to help you at this stage.

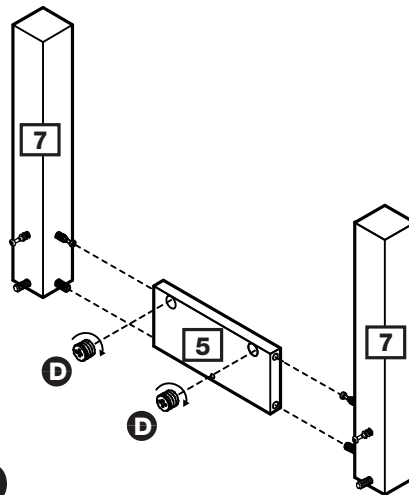
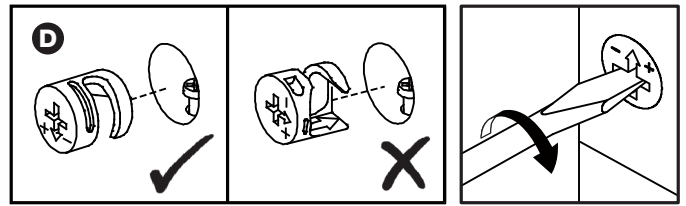
b: Use Locking nuts **D** to fix the Small legs **7** onto the Small support **5**.

Use a screwdriver to turn Locking nuts **D** clockwise to lock.

Note: The screw holes on the legs and support should align.

Note: Follow the same method as in fig. **b** to assemble the other legs.

b:



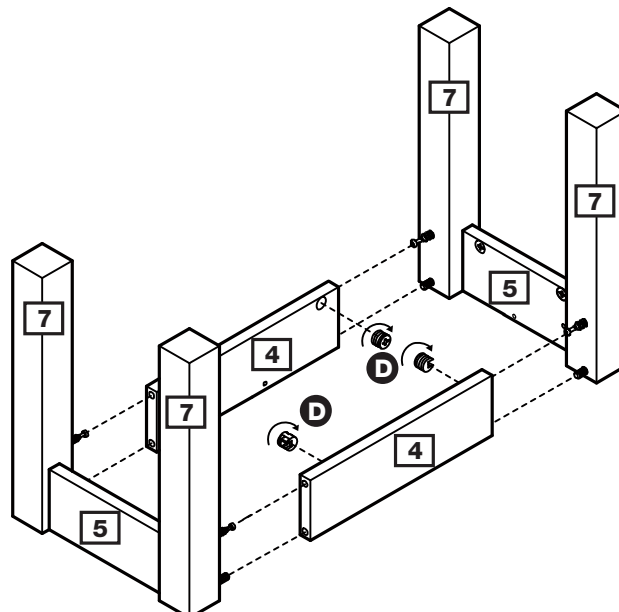
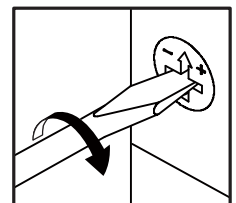
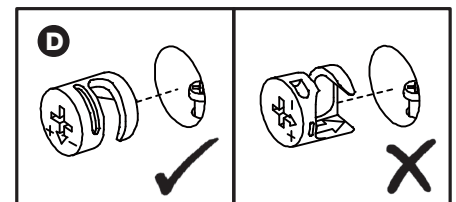
X 2

c: Use Locking nuts **D** to fix the Small legs **7** onto the Medium supports **4**.

Use a screwdriver to turn Locking nuts **D** clockwise to lock.

Note: The screw holes on the medium supports should face inward.

c:



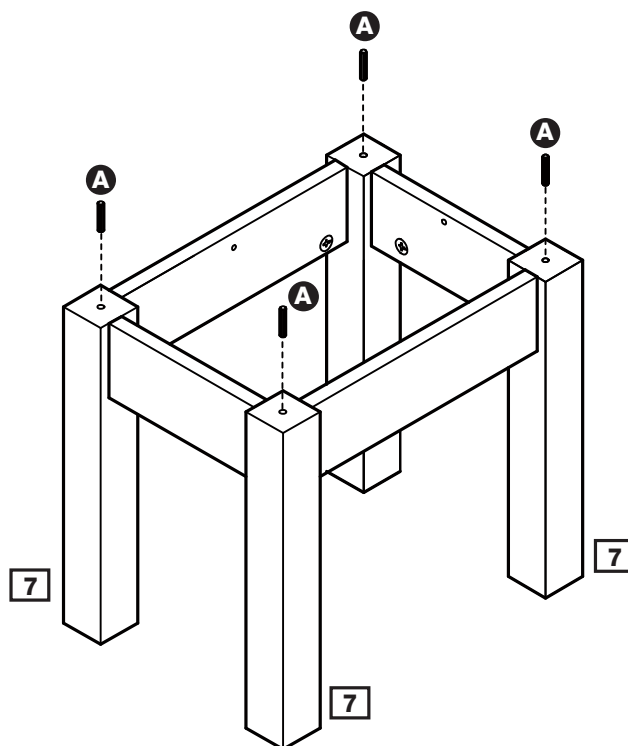
Assembly Instructions

Step 5

Fitting the small table top

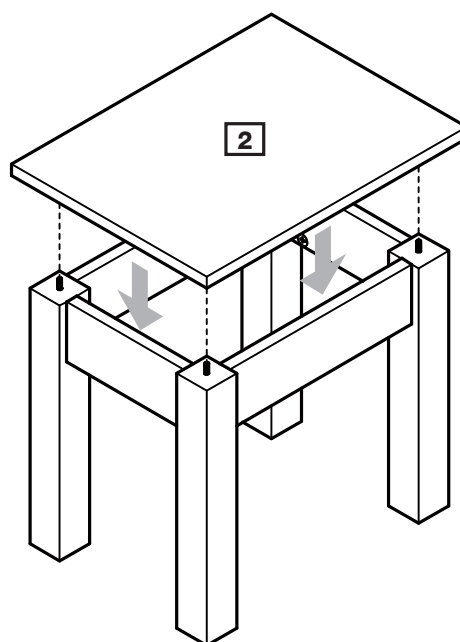
a: Insert Dowels **A** fully into the Small legs **7**.

a:



b: Carefully locate the Small table top **2** onto the unit.

b:



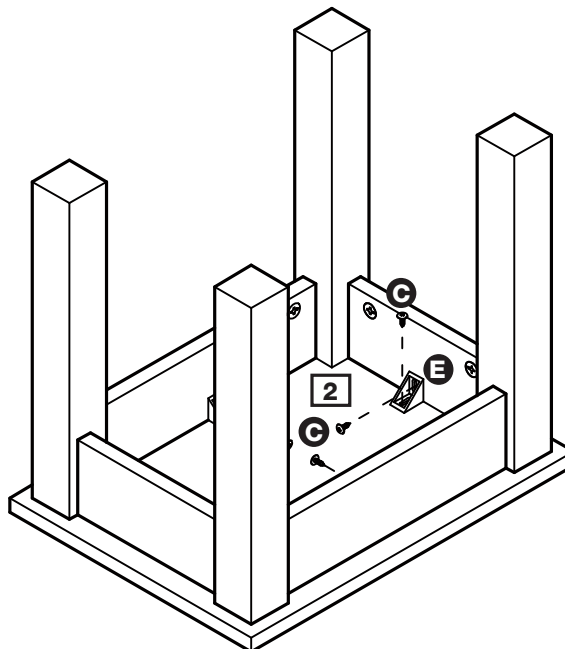
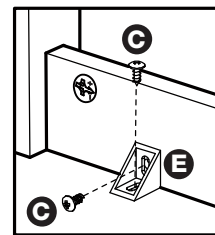
Continued on next page.

Assembly Instructions

Step 5 - continued

C: Use Screws **C** to fix Plastic supports **E** onto the Small table top **2**.

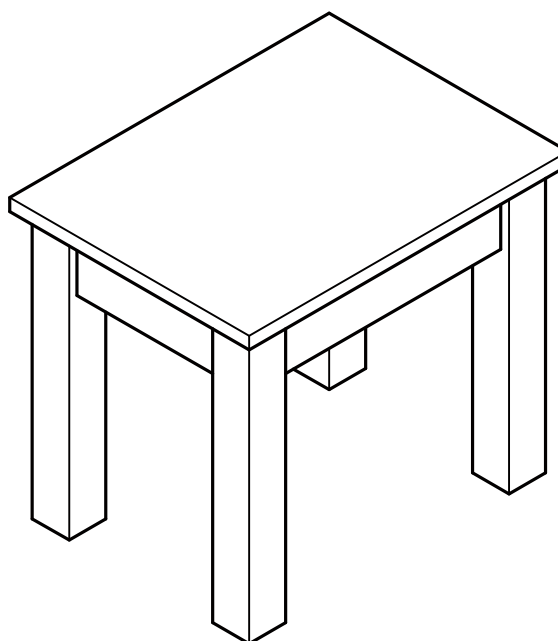
C:



Step 6

Finishing the Small table

Carefully turn the table upright.

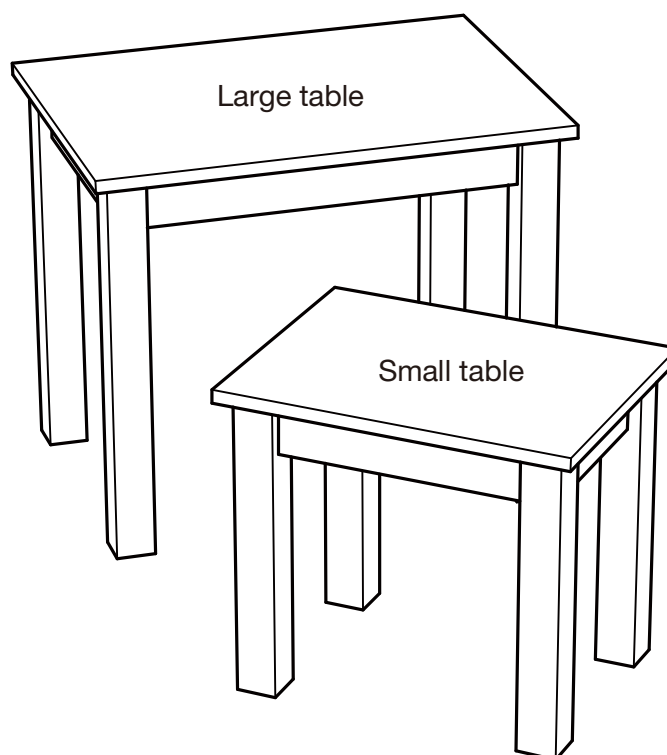


Assembly Instructions

Step 7

Finishing the unit

With help, place the unit in the intended position.



Assembly is complete.

If you need help or have damaged or missing parts, call the **Customer Helpline:**
Argos = 0345 6400800