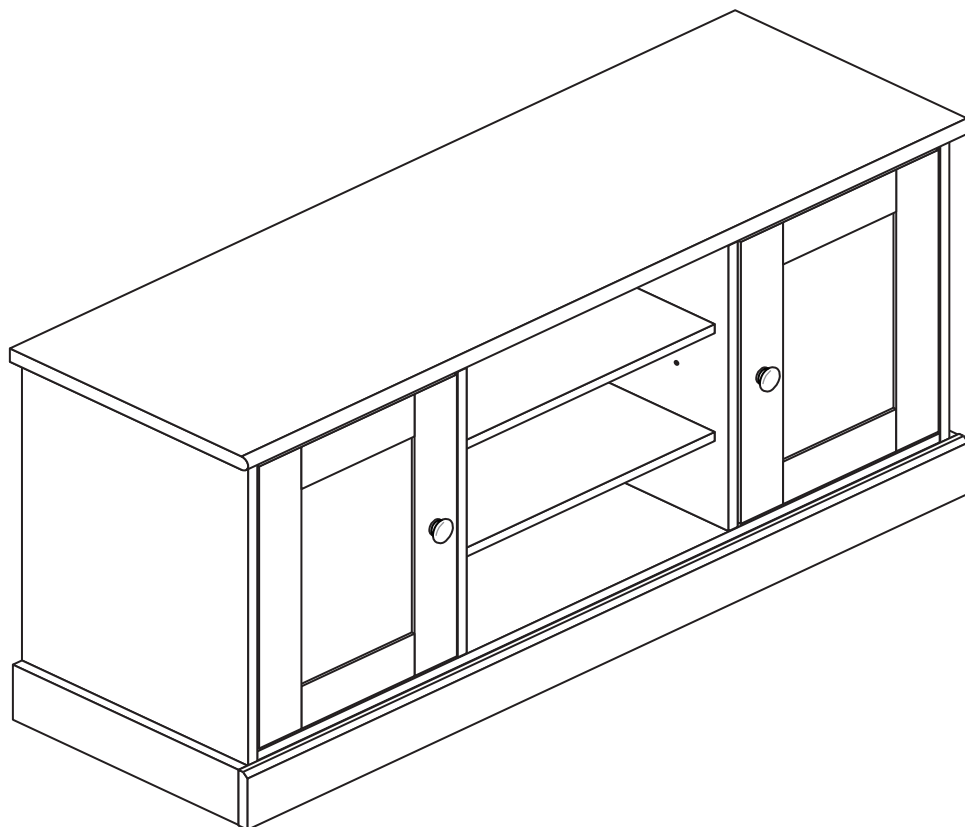


# Winchester - Tall TV Unit

Assembly Instructions - Please keep for future reference

414/7990



## Dimensions

Width - 119.9cm

Depth - 39.4cm

Height - 61.6cm



**MADE IN  
BRITAIN**

**Important** - Please read these instructions fully before starting assembly

If you need help or have damaged or missing parts, please visit [www.argos-support.co.uk](http://www.argos-support.co.uk) or email: [Help@ClickSpares.co.uk](mailto:Help@ClickSpares.co.uk) (quoting your original order number)

Alternatively, call the Spares Helpline on: 0370 112 1928.

For any other queries please contact the Customer Helpline on: 0345 640 2020



# Safety and Care Advice

**Important - Please read these instructions fully before starting assembly**

- **Warning:** This unit weighs approximately 36kgs. Please lift with care.

- Check you have all the components and tools listed on pages 2 and 3.

- Remove all fittings from the plastic bags and separate them into their groups.

- Keep children and animals away from the work area, small parts could choke if swallowed.

- Parts of the assembly will be easier with 2 people.

- Make sure you have enough space to layout the parts before starting.

- Do not stand or put weight on the product, this could cause damage.

- Assemble the item as close to its final position (in the same room) as possible.

- Assemble on a soft level surface to avoid damaging the unit or your floor (use opened out unit carton).



- We do not recommend the use of power drill/drivers **for inserting screws**, as this could damage the unit. Only use hand screwdrivers.

- **Safety note:** It is recommended that this unit is secured to a wall using the overbalance protector kit supplied or, an alternative fixing method of your choice.

- Dispose of all packaging carefully and responsibly.

## Care and maintenance

- Only clean using a damp cloth and mild detergent, do not use bleach or abrasive cleaners.

- From time to time check that there are no loose screws on this unit.

- This product should not be discarded with household waste. Take to your local authority waste disposal centre.

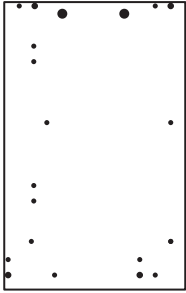
**Note:** If required the next page can be cut out and used as reference throughout the assembly. Keep this page with these instructions for future reference.

# Components - Panels

If you need help or have damaged or missing parts, please visit [www.argos-support.co.uk](http://www.argos-support.co.uk) or email: [Help@ClickSpares.co.uk](mailto:Help@ClickSpares.co.uk) (quoting your original order number)  
Alternatively, call the Spares Helpline on: 0370 112 1928.

For any other queries please contact the Customer Helpline on: 0345 640 2020

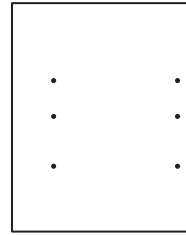
Please check you have all the panels listed below



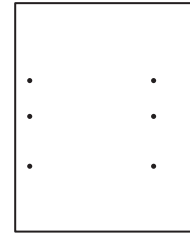
**1** Left Side (DF2815)  
(59.4 x 37.4cm)



**2** Right Side (DF2816)  
(59.4 x 37.4cm)



**3** Left Divider (DF2818)  
(47.2 x 37.2cm)



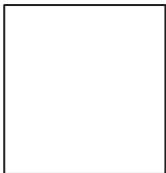
**4** Right Divider (DF2819)  
(47.2 x 37.2cm)



**5** Top (DF3279)  
(119.9 x 39.4cm)



**6** Base (DF2806)  
(112.9 x 37.3cm)



**7** Narrow Shelf (DF2821)  
(33.3 x 34.9cm) x 2



**8** Wide Shelf (DF2822)  
(43.3 x 34.9cm) x 2



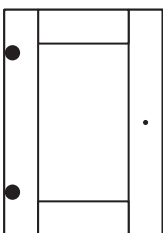
**9** Long Rail (DF2805)  
(112.9 x 9.2cm) x 4



**10** Side Plinth (DF2386)  
(37.4 x 9.1cm) x 2



**11** Front Plinth (DF2810)  
(119.1 x 9.2cm)



**12** Door (DF3280)  
(46.6 x 32.7cm) x 2



**13** Small Back (X520-333)  
(52 x 33.3cm)



**14** Large Back (X520-359)  
(52 x 35.9cm) x 2



# Components - Fittings

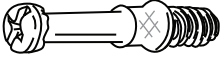

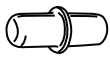

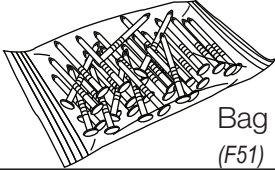





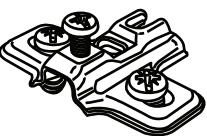
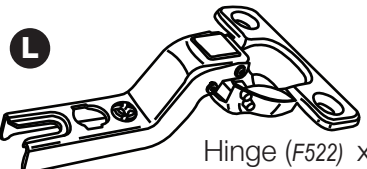
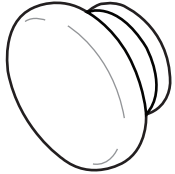
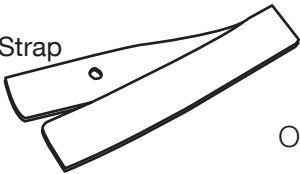


If you need help or have damaged or missing parts, please visit [www.argos-support.co.uk](http://www.argos-support.co.uk) or email: [Help@ClickSpares.co.uk](mailto:Help@ClickSpares.co.uk) (quoting your original order number)

Alternatively, call the Spares Helpline on: 0370 112 1928.

For any other queries please contact the Customer Helpline on: 0345 640 2020

Please check you have all the fittings listed below

**Note:** The quantities below are the correct amount to complete the assembly. In some cases more fittings may be supplied than are required.

<p><b>A</b> </p> <p>Metal dowel (F901) x 18</p>	<p><b>B</b> </p> <p>Large locking nut (F900) x 18</p>	<p><b>C</b> </p> <p>Shelf stud (F110) x 16</p>
<p><b>D</b> </p> <p>Wooden dowel (F22) x 18</p>	<p><b>E</b> </p> <p>Bag of Nails (F51) x 2</p>	<p><b>F</b> </p> <p>40mm Screw (F910) x 8</p>
<p><b>G</b> </p> <p>38mm Screw (F81) x 2</p>	<p><b>H</b> </p> <p>25mm Screw (F50) x 6</p>	<p><b>I</b> </p> <p>13mm Screw (F63) x 8</p>
<p><b>J</b> </p> <p>Plastic Nail (F91) x 6</p>	<p><b>K</b> </p> <p>Hinge plate (F523) x 4</p>	<p><b>L</b> </p> <p>Hinge (F522) x 4</p>
<p><b>M</b> </p> <p>Handle (F463) x 2</p>	<p><b>N</b>    Washer x 2</p> <p>Overbalance protector kit (F269) x 1</p>	

## Tools required



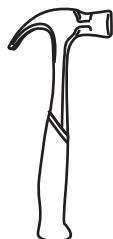
Rule



Cross-head screwdriver



Scissors



Hammer



Eye protection (when using a hammer or drill)

Ruler - Use this ruler to help correctly identify the screws



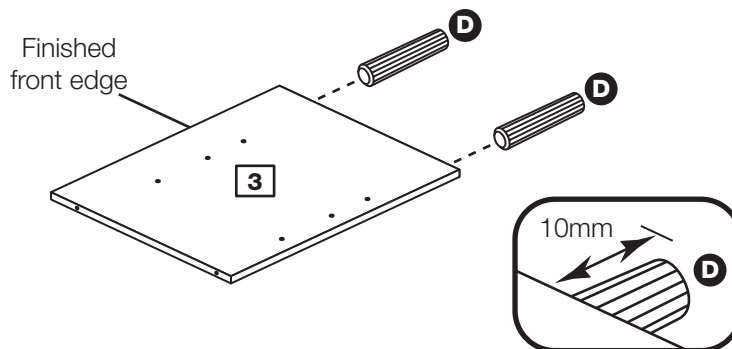
# Assembly Instructions

## Step 1

### Prepare the left divider

Tap 2 wooden dowels **D** into the left divider **3**.

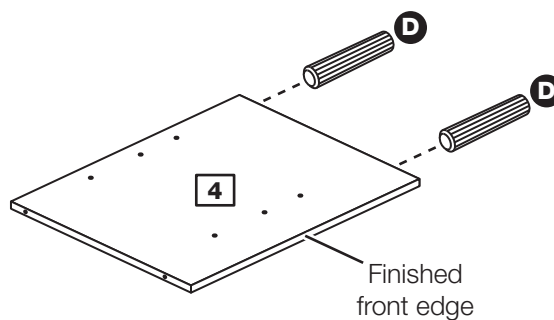
**Note:** Wooden dowels **must not** stick out from the edge by more than 10mm or they may damage other panels.



## Step 2

### Prepare the right divider

Tap 2 wooden dowels **D** into the right divider **4**.

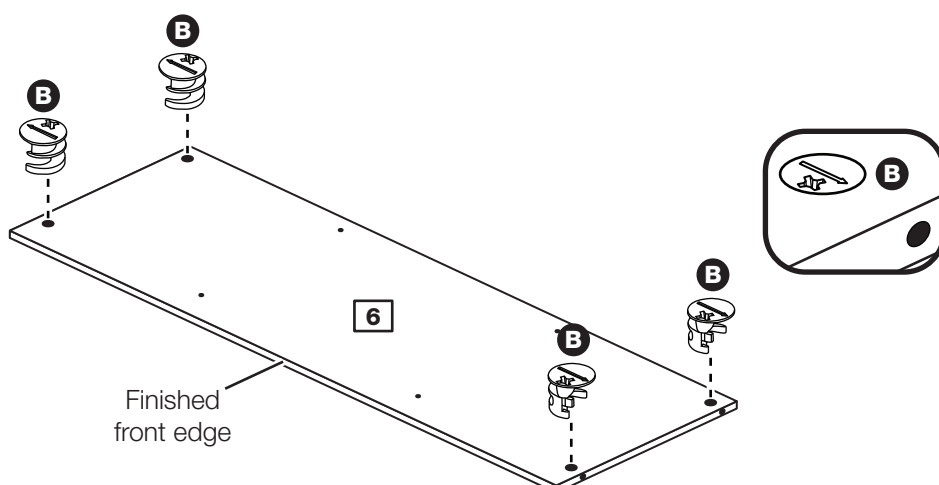


## Step 3

### Prepare the base

Insert 4 large locking nuts **B** into the base **6**.

**Note:** The arrow on the locking nut **must** point towards the hole in the edge of the panel.

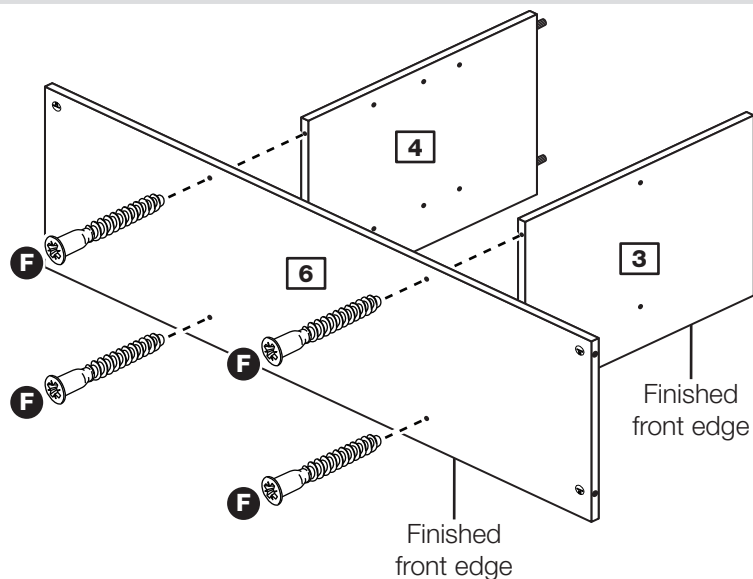


# Assembly Instructions

## Step 4

### Fit the base

Attach the base **6** to the left divider **3** and right divider **4** with 4 screws **F**.



## Step 5

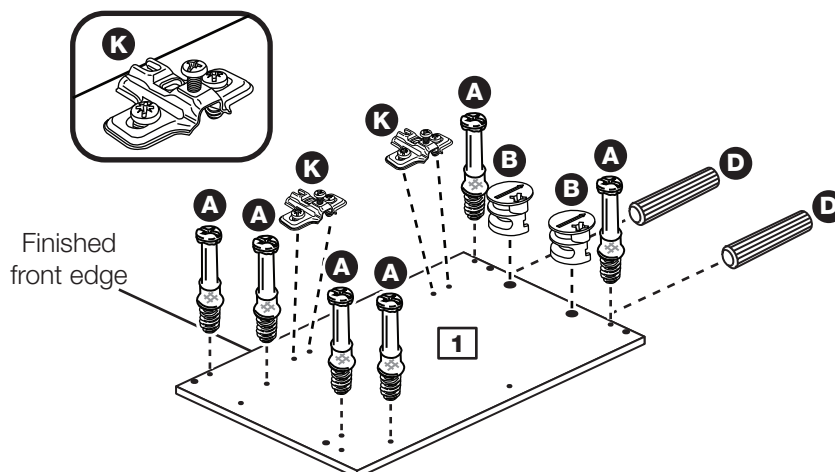
### Prepare the left side

Screw 6 metal dowels **A** into the left side **1**.

Insert 2 large locking nuts **B** into the left side **1**.

Tap 2 wooden dowels **D** into the left side **1**.

Fit 2 hinge plates **K** onto the left side **1**, making sure that the slot is facing towards the finished front edge.



## Step 6

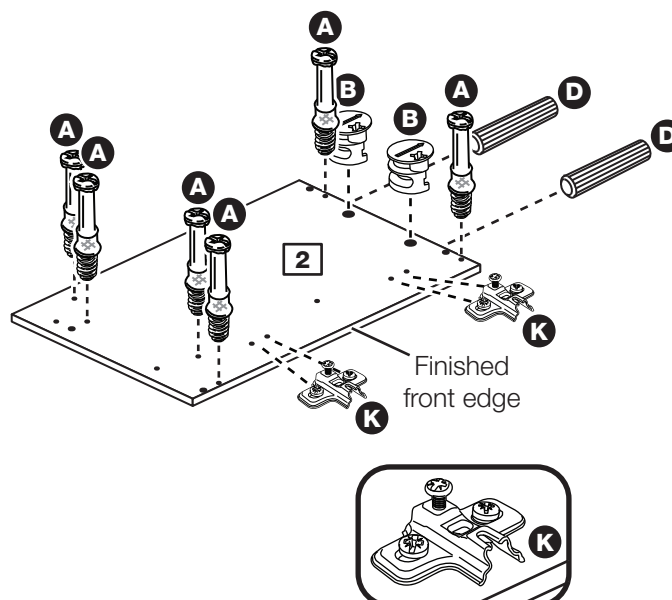
### Prepare the right side

Screw 6 metal dowels **A** into the right side **2**.

Insert 2 large locking nuts **B** into the right side **2**.

Tap 2 wooden dowels **D** into the right side **2**.

Fit 2 hinge plates **K** onto the right side **2**, making sure that the slot is facing towards the finished front edge.



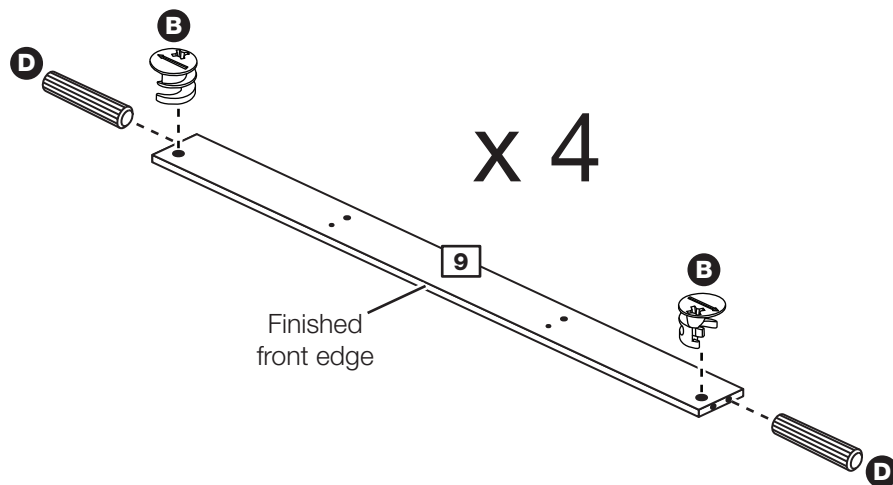
# Assembly Instructions

## Step 7

### Prepare the 4 long rails

Insert 2 large locking nuts **B** into each of the long rails **9**.

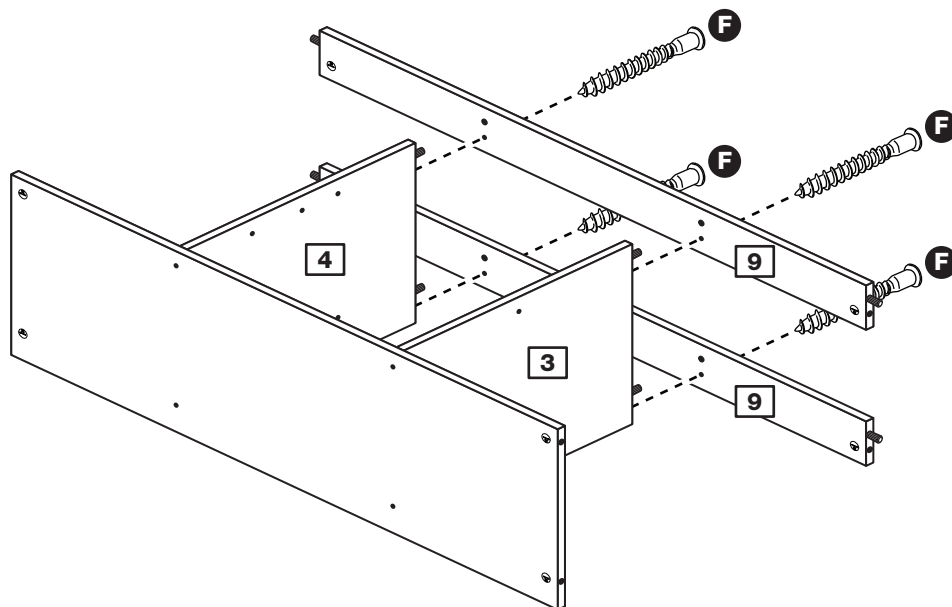
Tap 2 wooden dowels **D** into each of the long rails **9**.



## Step 8

### Fit 2 long rails

Push 2 long rails **9** onto the dividers **3** and **4** secure them with 4 screws **F**.



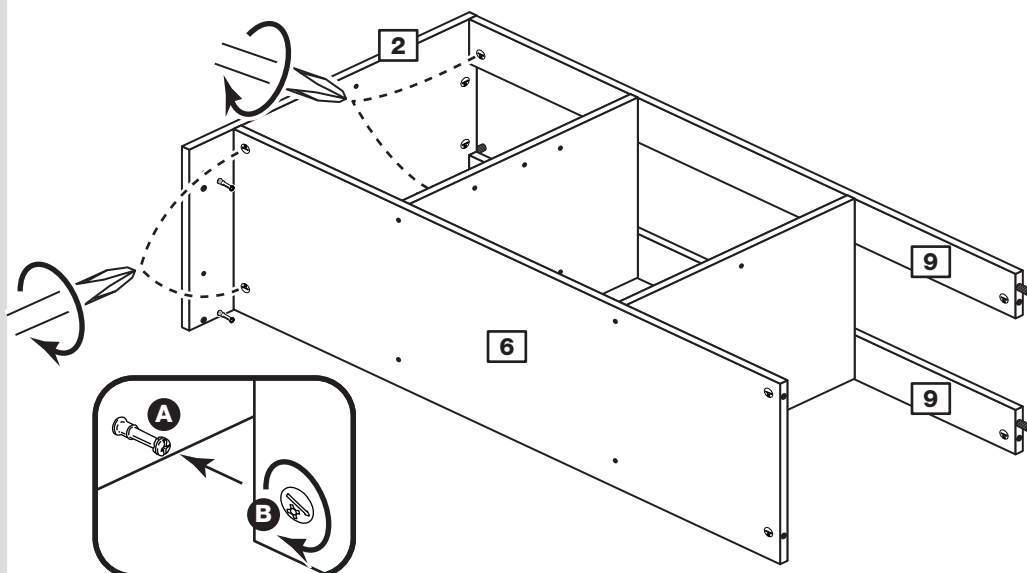
## Step 9

### Fit the right side

Push the right side **2** onto the assembly.

Use a screwdriver to tighten the 4 large locking nuts **B** fitted to the base **6** and the 2 long rails **9**.

**Note:** Turn the large locking nuts **B** as far as they will go - more than 1/2 a turn.



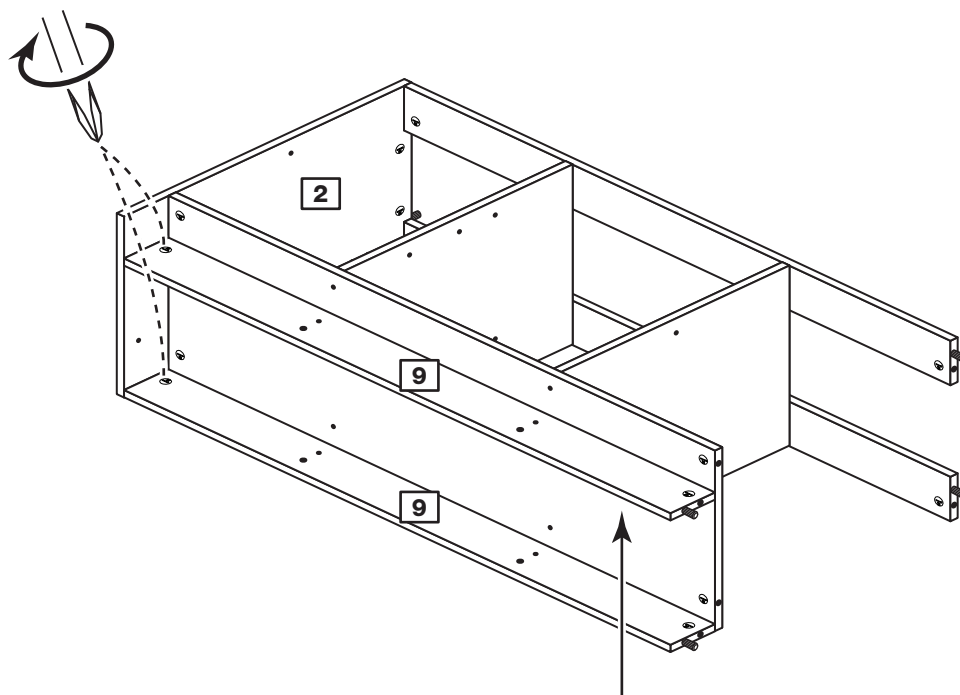
# Assembly Instructions

## Step 10

### Fit the other long rails

Push the 2 long rails **9** onto the right side **2**.

Use a screwdriver to tighten the 2 large locking nuts **B** fitted to the long rails **9**.



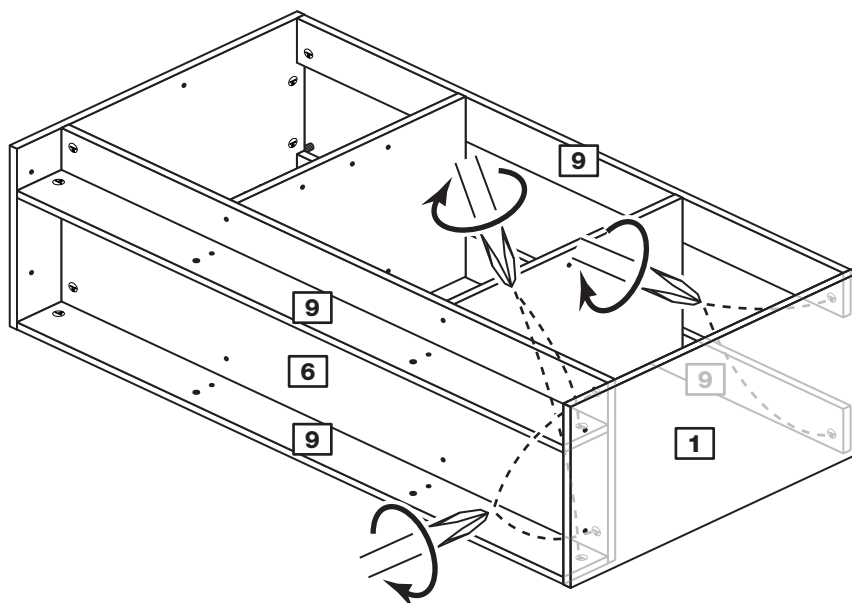
**Note:** Fit the long rail at the back last and support it until the left side has been fitted in the next step.

## Step 11

### Fit the left side

Push the left side **1** onto the assembly.

Use a screwdriver to tighten the 6 large locking nuts **B** fitted to the base **6** and the 4 long rails **9**.



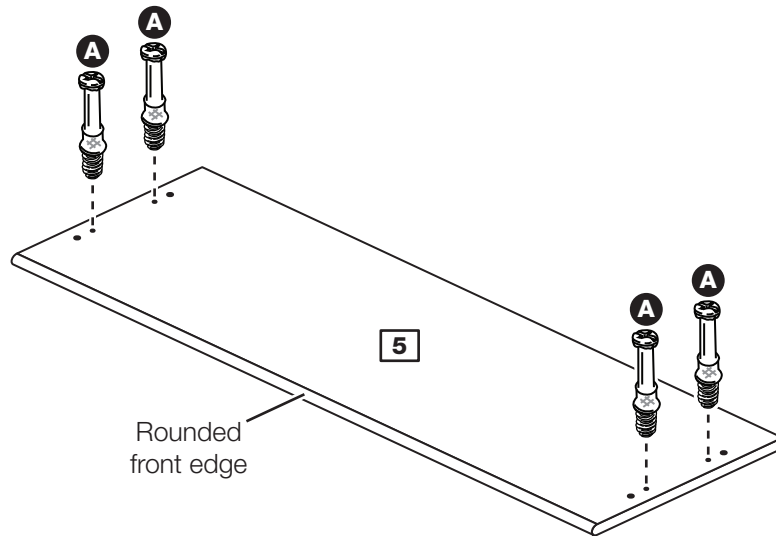


# Assembly Instructions

## Step 12

### Prepare the top

Screw 4 metal dowels **A** into the top **5**.



## Step 13

### Fit the top

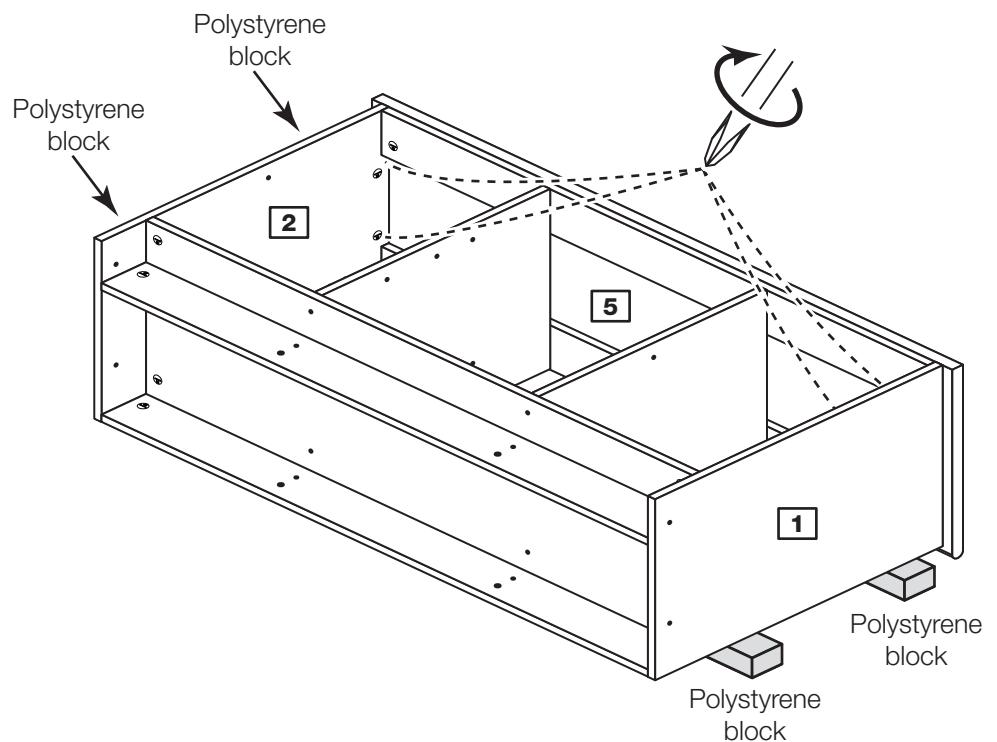
**Note:** To make it easier to fit the top and plinths, place polystyrene blocks from the packaging underneath the side panels to raise the assembly.

Push the top **5** onto the assembly.

Use a screwdriver to tighten the 4 large locking nuts **B** fitted to the sides **1** and **2**.



**Warning:** The unit is heavy. Lift with care.



# Assembly Instructions

## Step 14

### Fit the 3 backs

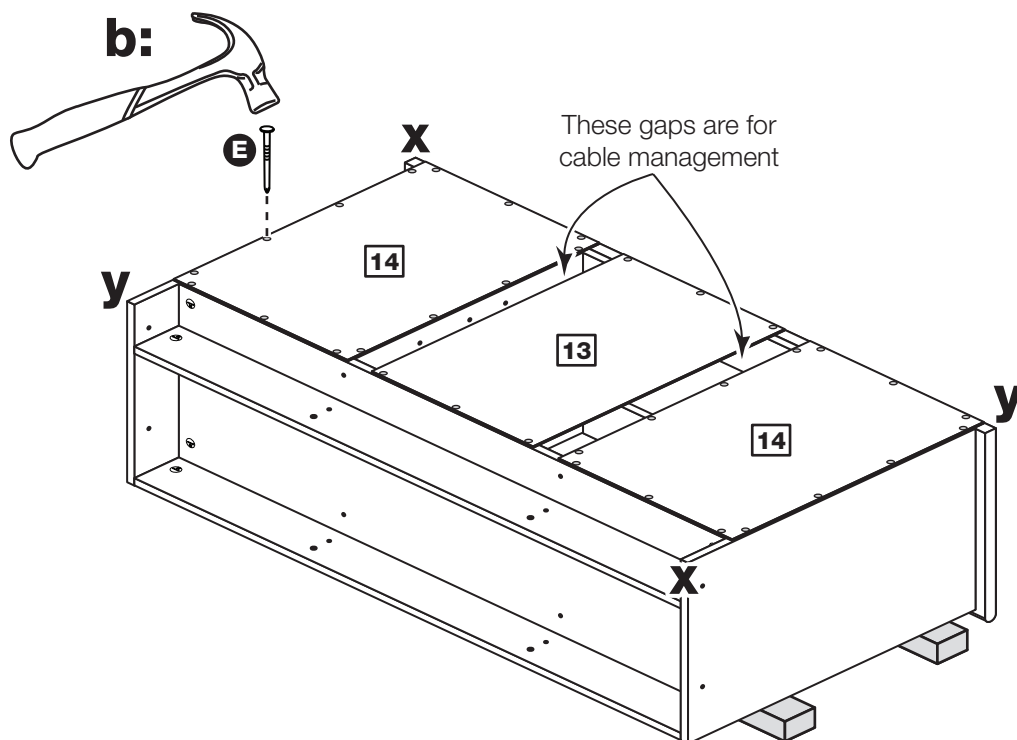
**a:** Square up the unit by making sure that measurement **x to x** equals **y to y**.

**b:** Place the small back **13** in the centre of the unit and nail **E** along the top and bottom edges.

Place the 2 large backs **14** onto the unit as shown and nail **E** around the outside edges.

**Note:** Nails should be spaced about 150mm apart.

**a:** The measurement from top corner X to bottom corner X must be equal to the measurement from top corner Y to bottom corner Y

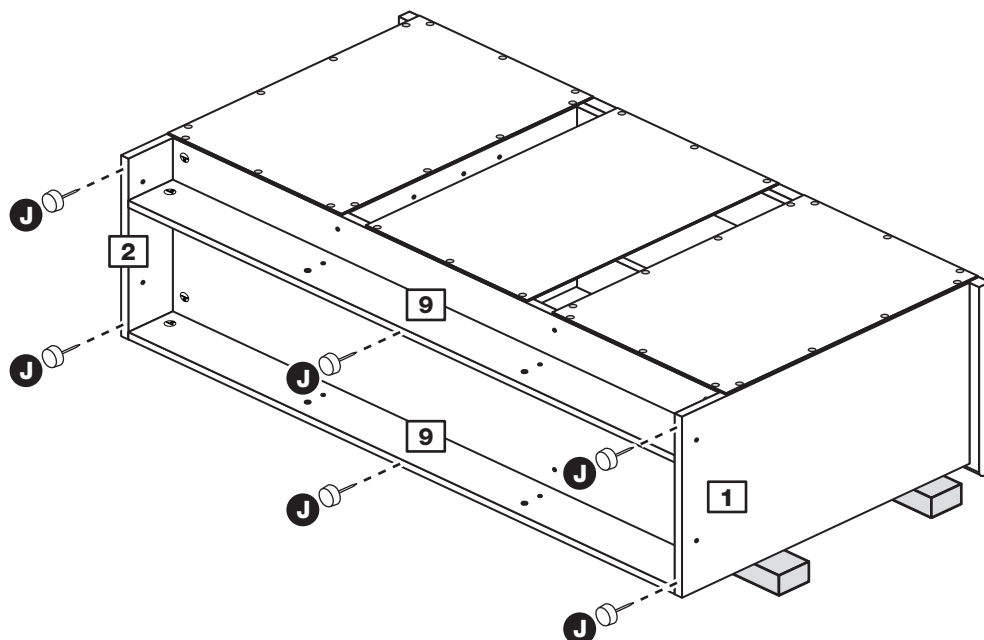


## Step 15

### Fit the 6 plastic nails

Tap 2 plastic nails **J** into the bottom edge of each of the sides **1** and **2**.

Tap a plastic nail **J** into the bottom edge of each of the long rails **9** fitted at the bottom of the unit.



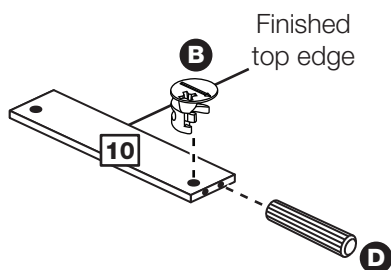
# Assembly Instructions

## Step 16

### Prepare a side plinth

Insert a large locking nut **B** into 1 of the side plinths **10**.

Tap a wooden dowel **D** into the side plinth **10**.

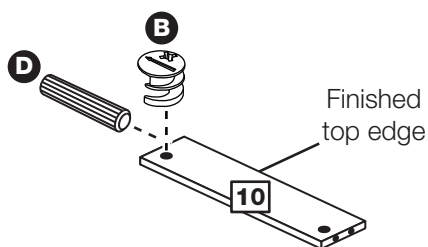


## Step 17

### Prepare the other side plinth

Insert a large locking nut **B** into the side plinth **10**.

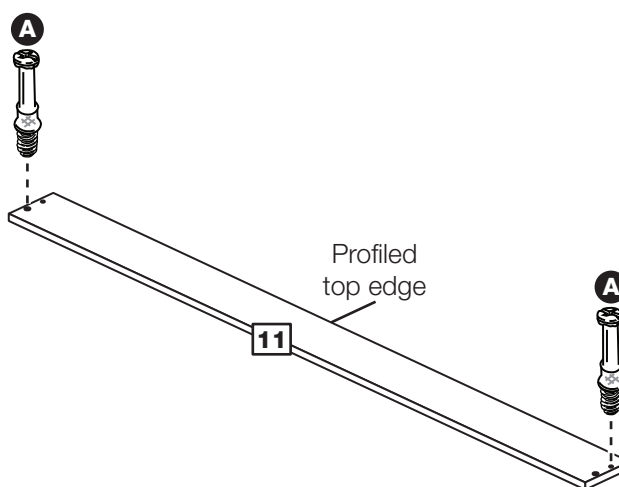
Tap a wooden dowel **D** into the side plinth **10**.



## Step 18

### Prepare the front plinth

Screw 2 metal dowels **A** into the front plinth **11**.

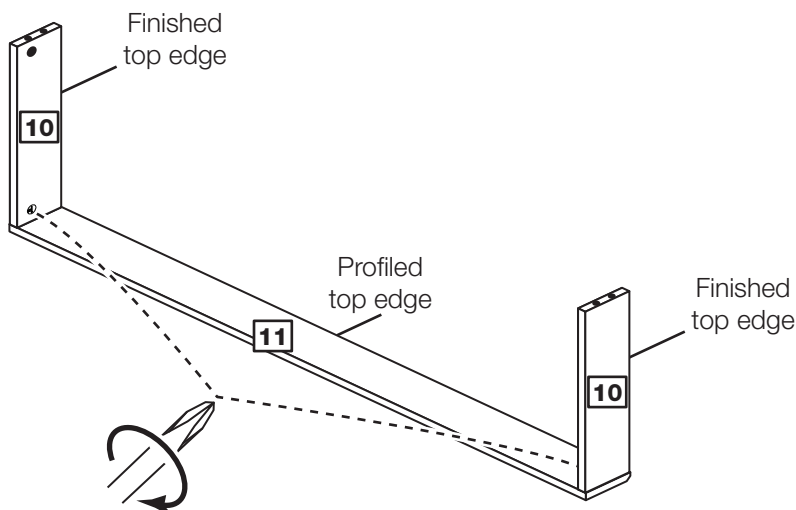


## Step 19

### Fit the plinths together

Push the 2 side plinths **10** onto the front plinth **11**.

Use a screwdriver to tighten the large locking nuts **B** fitted to the side plinths **10**.



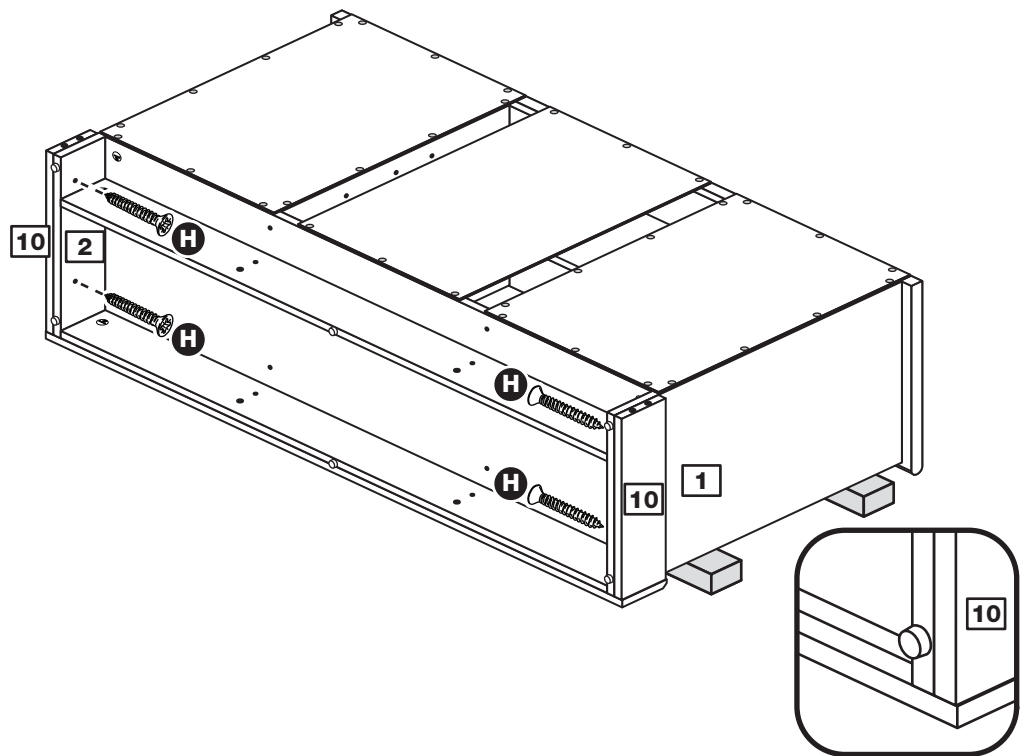
# Assembly Instructions

## Step 20

### Fit the plinths

Position the 3 plinths onto the assembly ensuring that the bottom edge of the plinths are flush with the bottom edge of the sides, as shown.

Secure the 2 side plinths **10** through the left end **1** and right end **2** using 4 screws **H**.



## Step 21

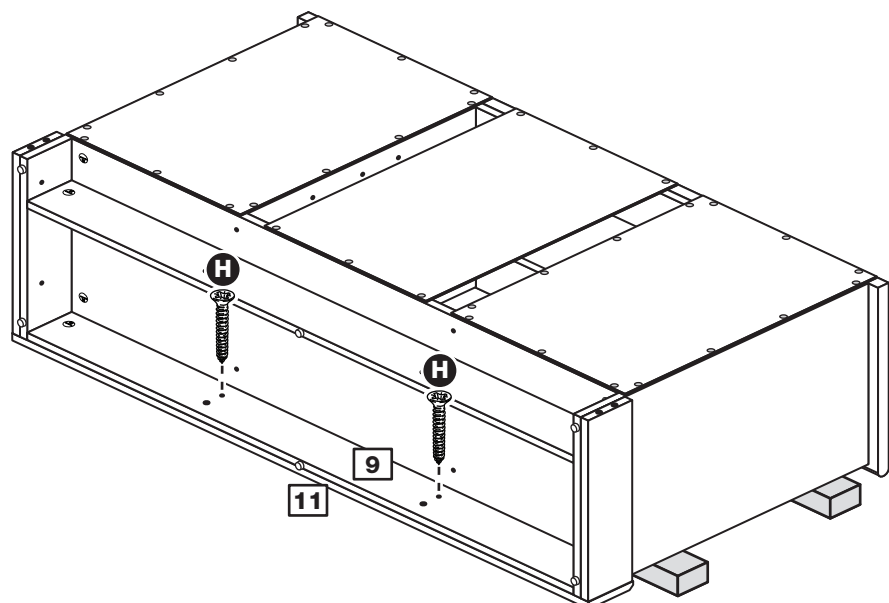
### Secure the front plinth

Secure the front plinth **11** through the long rail **9** using 2 screws **H**.

**Carefully stand the unit up for the next step.**



**Warning:** The unit is heavy. Lift with care.



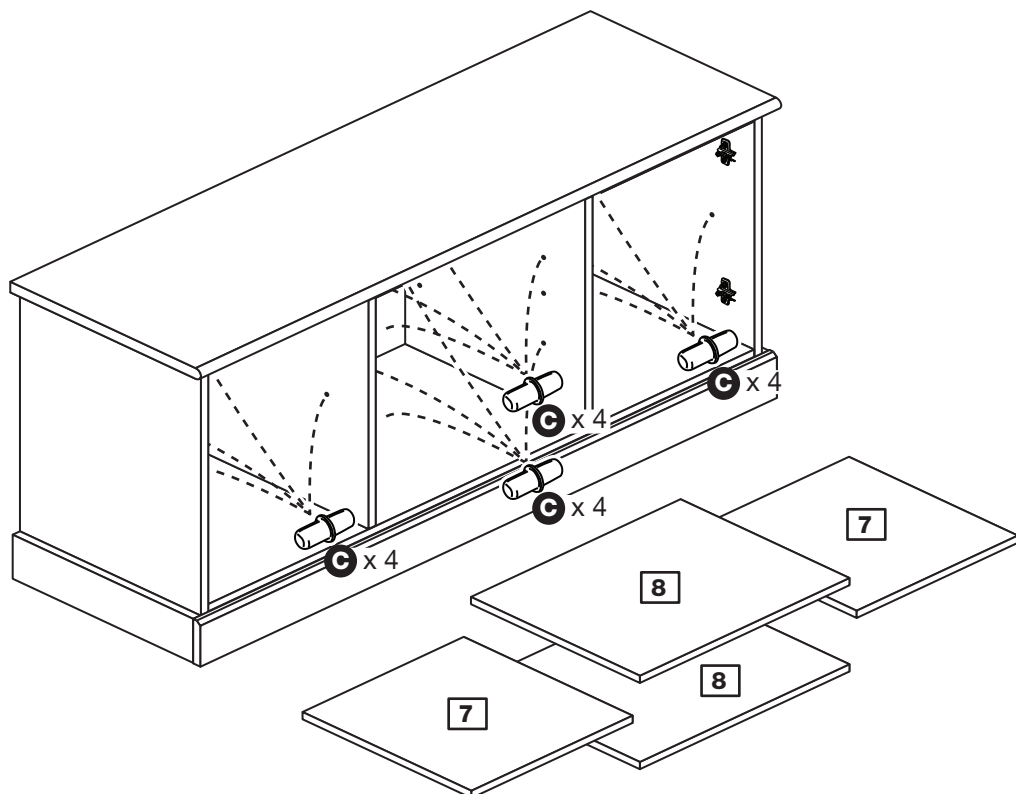
# Assembly Instructions

## Step 22

### Fit the shelves

For each of the 4 shelves, insert 4 shelf studs **C**.

Lower the 4 shelves **7** and **8** down onto the shelf studs **C**.



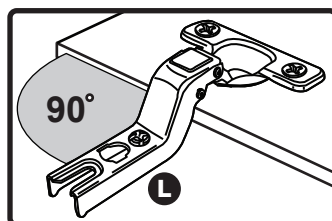
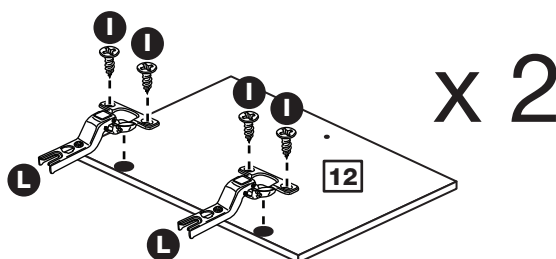
## Step 23

### Prepare the 2 doors

Push fit 2 hinges **L** into each of the 2 doors **12**.

Secure each hinge with 2 screws **I**.

**Note:** Before securing with the screws, make sure that the hinges are positioned at 90 degrees with the edge of the door.



# Assembly Instructions

## Step 24

### Fit doors and handles

**Note:** The easiest way to attach each door **12** is to fit the top hinge first, then align and fit the other hinge.

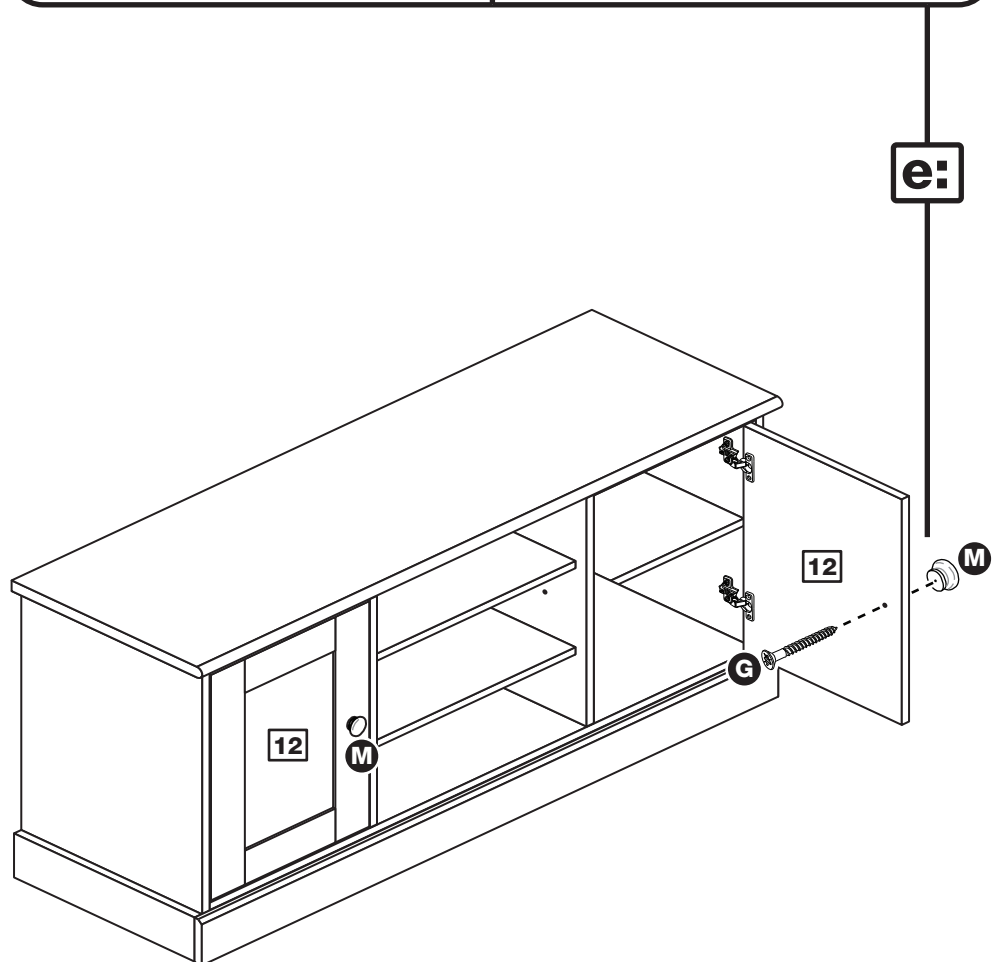
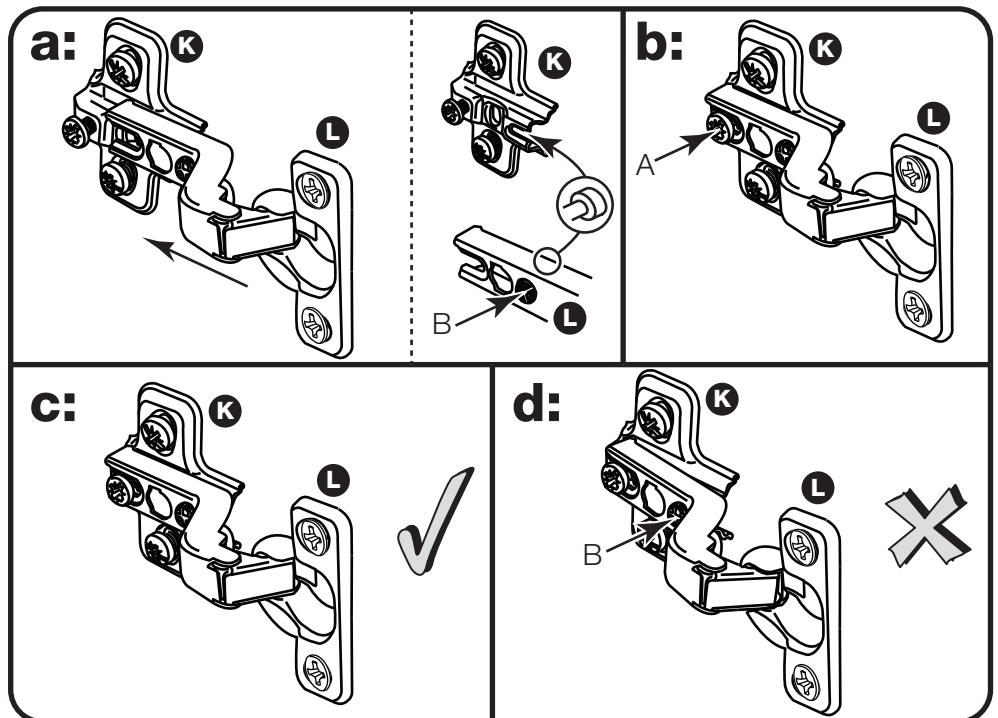
**a:** Push the hinge **L** onto the front part of the hinge plate **K**. The recess at the bottom of screw **B** goes into the slot in the hinge plate.

**b:** Keep the hinge **L** FLAT against the hinge plate **K** as you slide it across as far as it will go. Tighten screw **A**.

**c:** The hinge **L** must be flat against the hinge plate **K** prior to any adjustment.

**d:** The hinge **L** must NOT be AT AN ANGLE to the hinge plate **K** when assembled. This would indicate that the recess at the bottom of screw **B** had not located in the slot in the hinge plate and the hinge would not be secure. Remove the hinge from the hinge plate and then re-assemble being careful to follow instructions a-c.

**e:** Attach a handle **M** to each door **12** using screws **G**.



# Assembly Instructions

## Step 25

### Adjust the doors if needed

**a:** Before adjusting the doors, use a spirit level to check the base (or top) of the unit is level, front-to-back and side-to-side in the 3 positions shown. Use suitable packing pieces (not supplied) to make the unit level BEFORE making any adjustment to the hinges, as shown.

### **b:** Height adjustment.

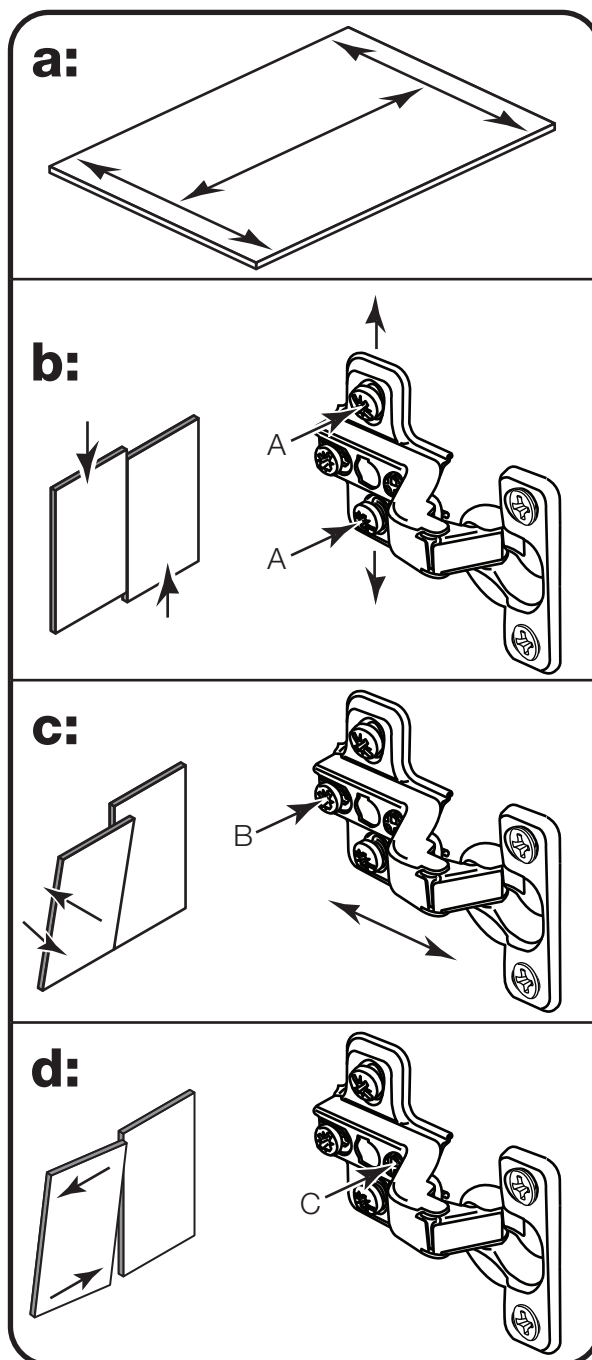
Loosen screws A on hinge plates and move door up or down as required. Retighten screw A.

### **c:** Forward and Back adjustment.

Loosen screw B on hinge plate and move door in or out as required. Retighten screw B.

### **d:** Sideways adjustment.

To move door 'out' loosen screw C. To move door 'in' tighten screw C.



# Assembly Instructions

## Step 26

### Fit the overbalance protector kit

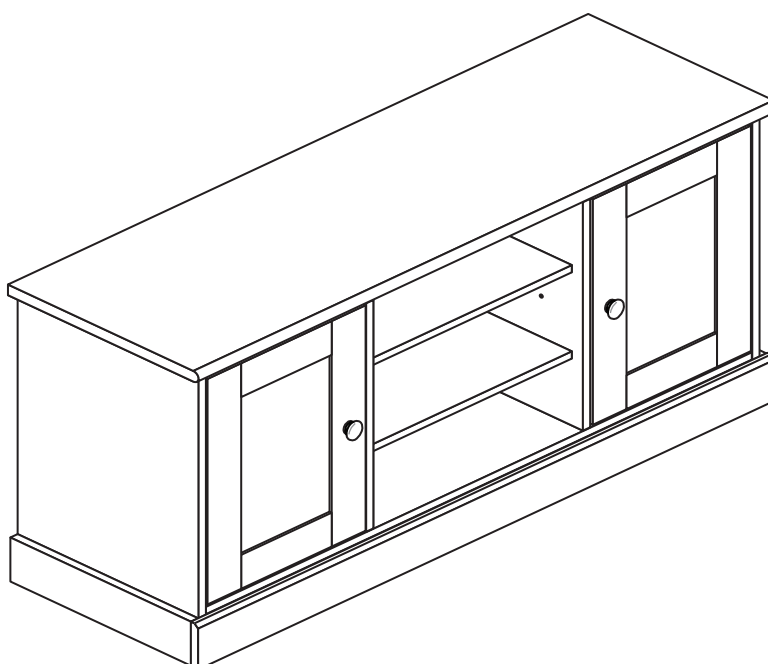
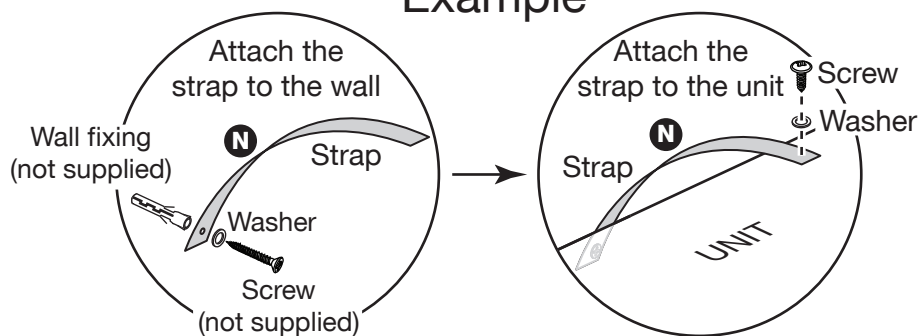
To prevent possible overbalancing we recommend that this unit is secured to a suitable wall by fitting of the overbalance protector kit **N** to the unit, or an alternative fixing method of your choice.

Wall fixings are not supplied as they will need to suit the wall type.

**Note:** Take care when drilling the wall that you do not drill into any pipes, wires etc. If in doubt, consult an expert.

**Assembly is complete**

### Example



If you need help or have damaged or missing parts, please visit [www.argos-support.co.uk](http://www.argos-support.co.uk) or email: [Help@ClickSpares.co.uk](mailto:Help@ClickSpares.co.uk) (quoting your original order number)  
Alternatively, call the Spares Helpline on: 0370 112 1928.  
For any other queries please contact the Customer Helpline on: 0345 640 2020