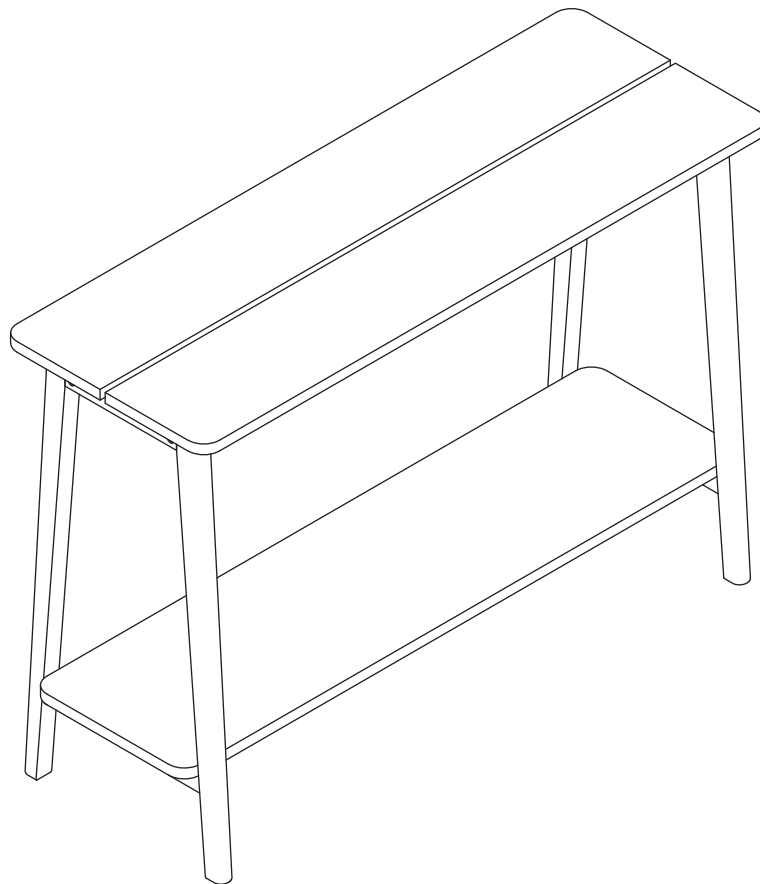


# NEL

# habitat



## Spare Parts

 [www.argos-support.co.uk](http://www.argos-support.co.uk)

 [Help@ClickSpares.co.uk](mailto:Help@ClickSpares.co.uk)

 0370 112 1928

## Customer Support

 0345 640 2020



# Safety and Care Advice

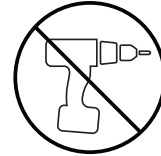
---

## Product Details

Nel console oak 3109922  
Nel console black 4096728

## IMPORTANT, RETAIN FOR FUTURE REFERENCE: READ CAREFULLY.

- Keep children and animals away from the work area, small parts could choke if swallowed.
- Make sure you have enough space to layout the parts before starting.
- This product has been constructed to be used in the domestic environment only and not for commercial purposes.
- Assemble the item as close to its final position (in the same room) as possible.
- Assemble on a soft level surface to avoid damaging the unit or your floor.
- We do not recommend the use of power drill/drivers for inserting screws as this could damage the unit. Only use hand screwdrivers.
- Parts of the assembly will be easier with 2 people.
- Dispose of all packaging carefully and responsibly.



## Care and maintenance

---

- Only clean using a damp cloth and mild detergent. Do not use abrasive cleaners.
- Use a dry cloth to clean the product, furniture polish is not recommended.
- From time to time check that there are no loose screws, nuts or bolts. If there are please re-tighten.
- This product should not be discarded with household waste. Take to your local authority waste disposal centre.

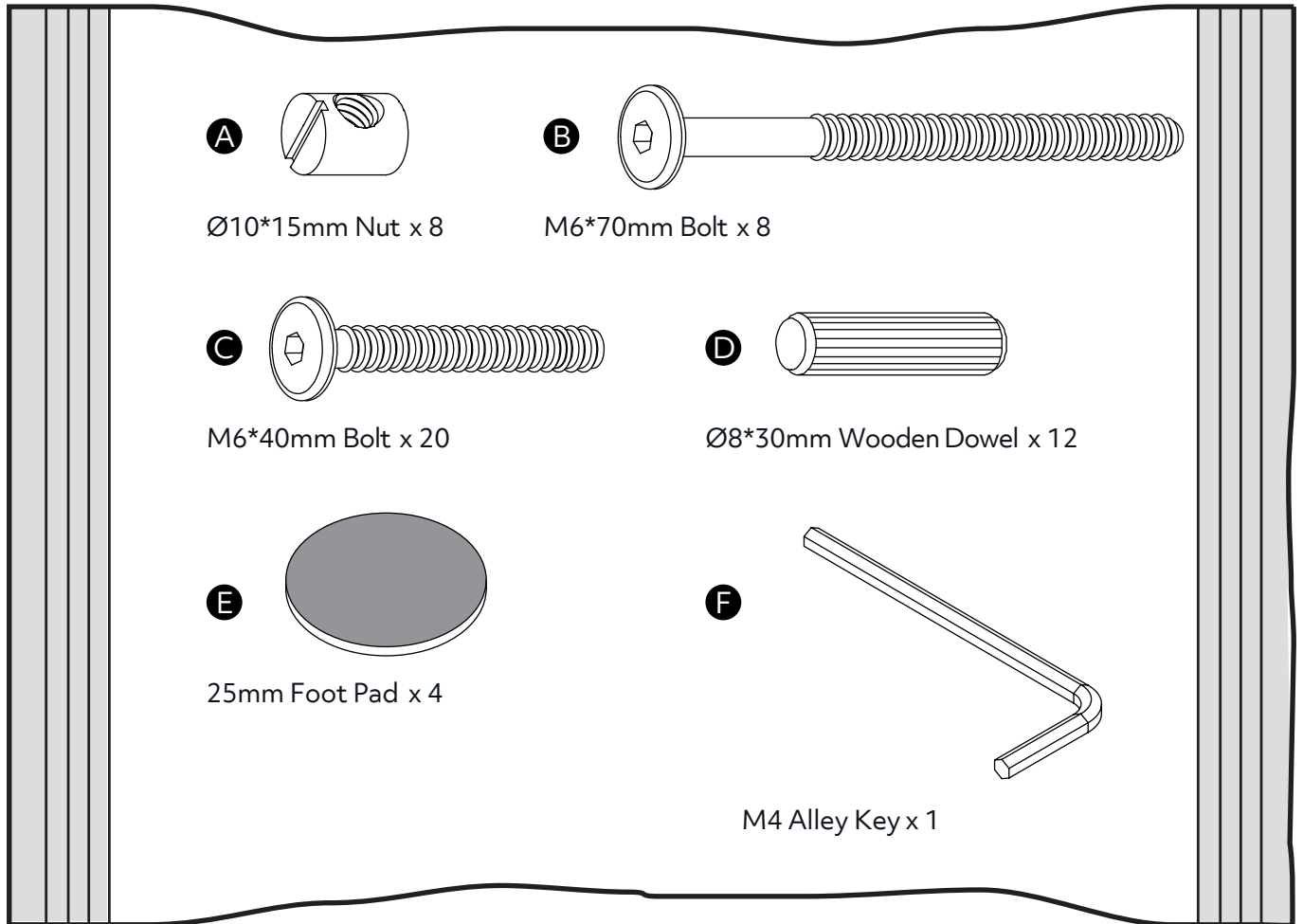
## Additional Guidance

---

- Assemble all parts and bolts loosely during assembly, only once the product is complete should you fully tighten the bolts.
- Regularly check and ensure that all bolts and fittings are tightened properly.
- Maximum loading weight 100kg, Shelf Maximum loading weight 45kg.
- This product is compliant EN12521.
- Any additional or replacement parts are obtained from the manufacturer.

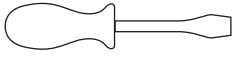
# Fittings (Shown to scale)

## Bag 1



# Tools required

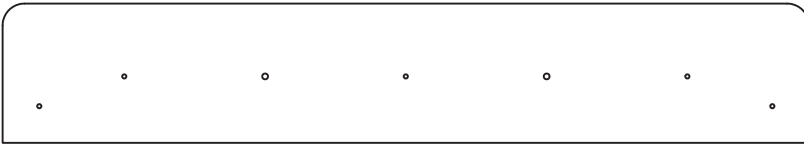
---



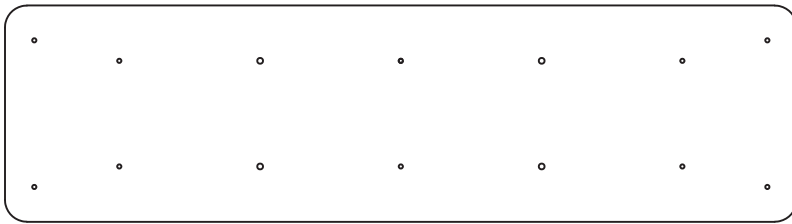
Phillips screwdriver  
(small & medium)

# Panels

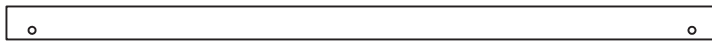
---



1 Top Panel x 2  
(1100 x 190mm)



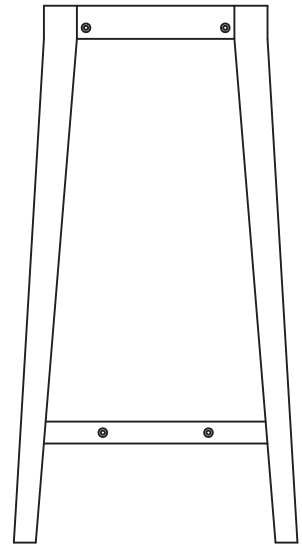
3 Bottom Panel x 1  
(1080 x 295mm)



4 Rail (980 x 45mm) x 2



5 Rail (990 x 30mm) x 2

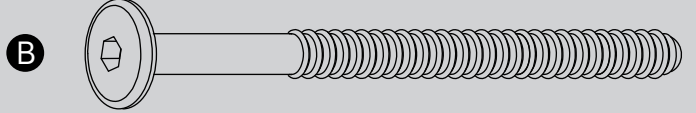


2 Side Frame x 2  
(732 x 387mm)

# 1



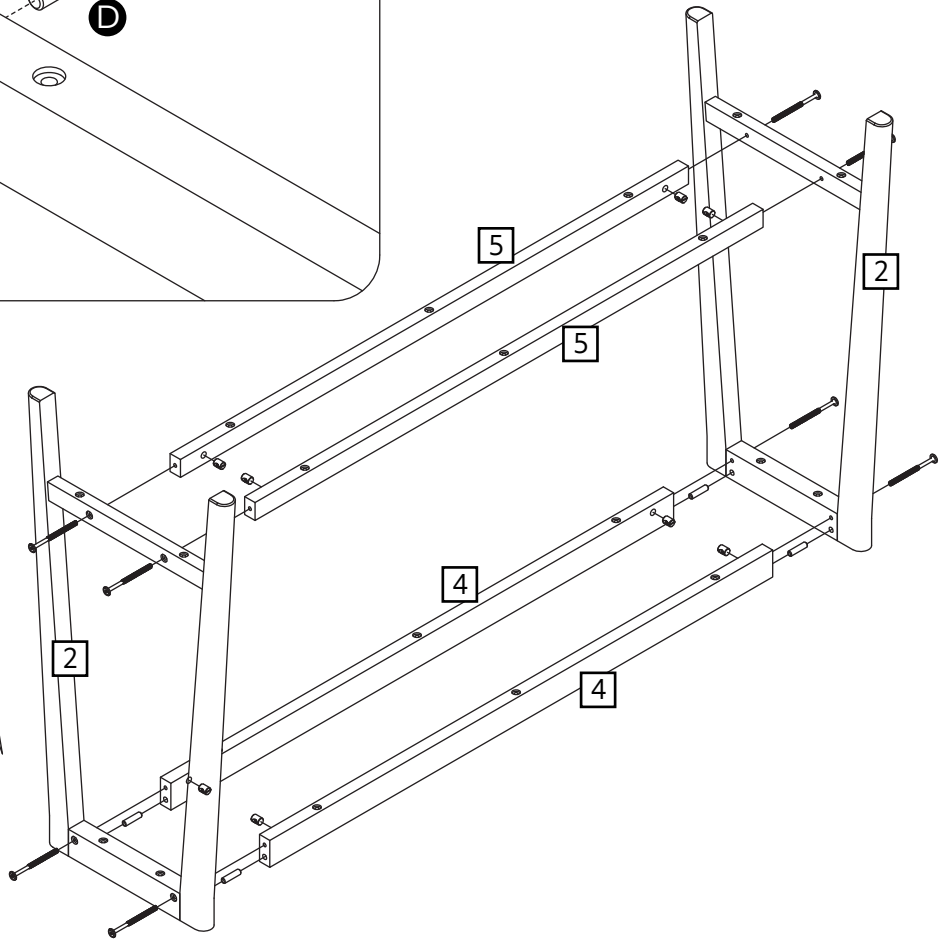
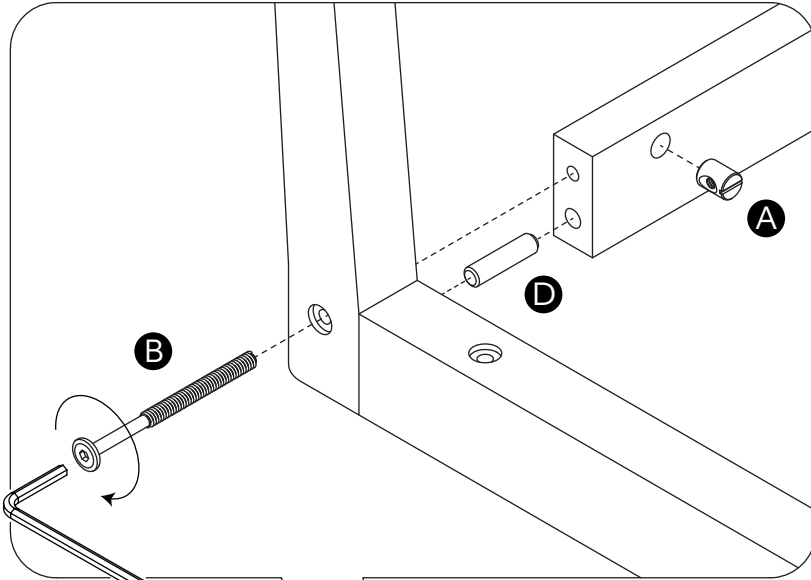
Ø10\*15mm Nut x 8



M6\*70mm Bolt x 8



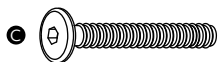
Ø8\*30mm Wooden Dowel x 4



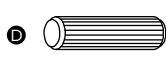
Ø10\*15mm Nut x 8



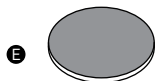
M6\*70mm Bolt x 8



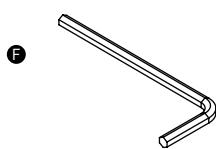
M6\*40mm Bolt x 20



Ø8\*30mm Wooden Dowel x 12



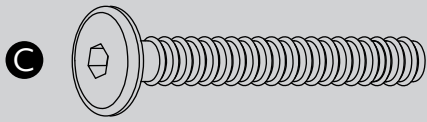
25mm Foot Pad x 4



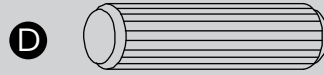
M4 Alley Key x 1

**Warning!**  
Please do not fully tighten the bolts  
in this step.

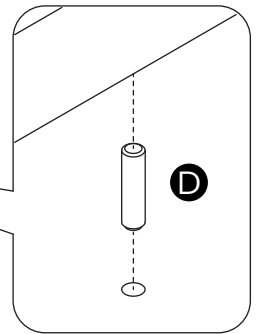
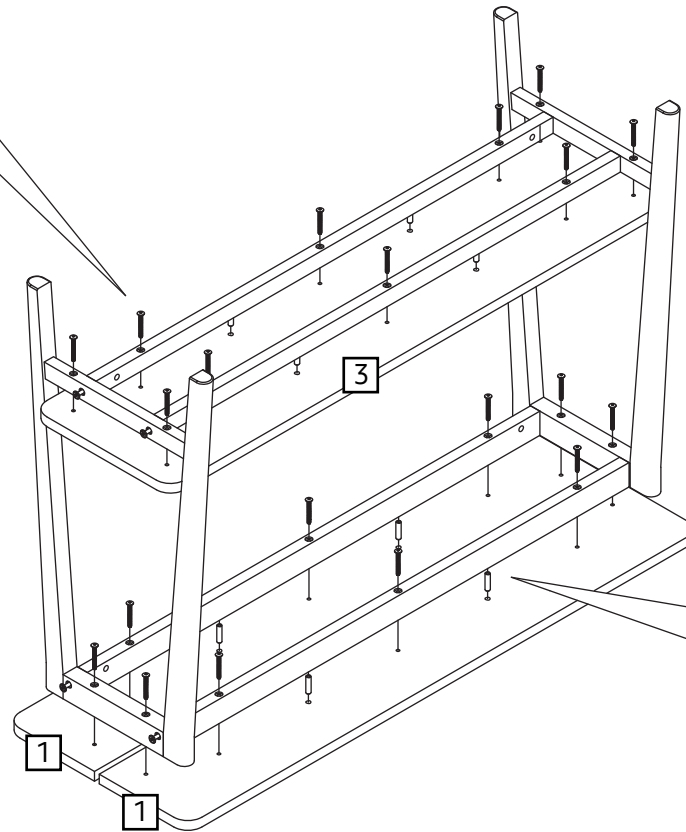
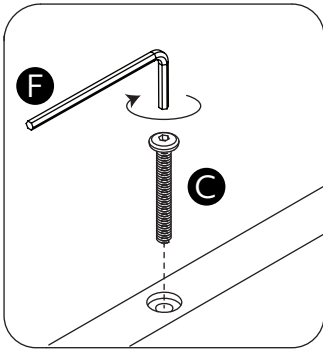
# 2



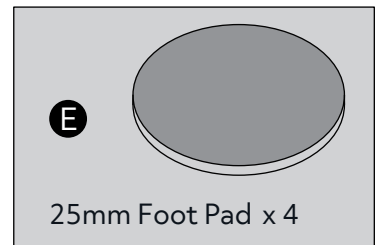
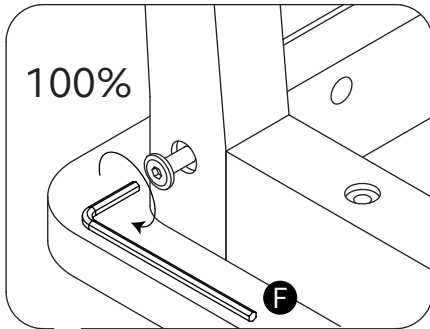
M6\*40mm Bolt x 20



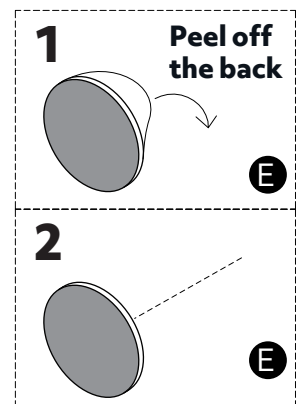
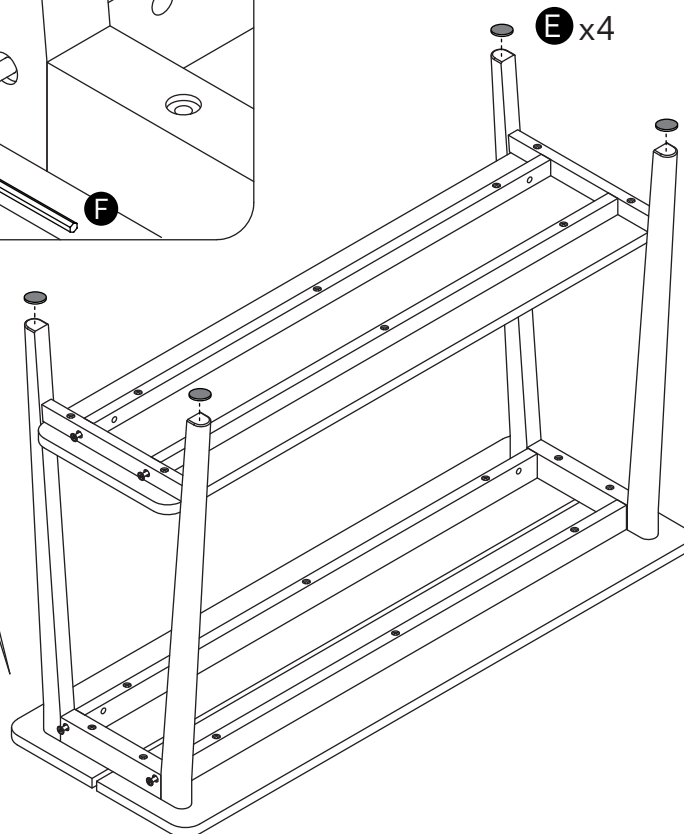
Ø8\*30mm Wooden Dowel x 8



# 3

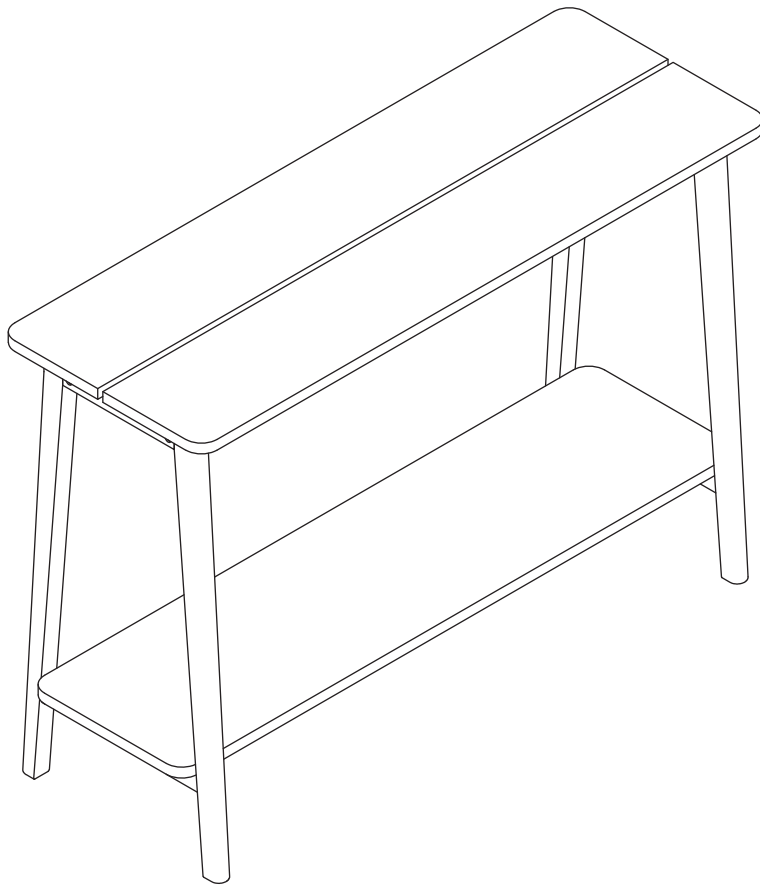


25mm Foot Pad x 4



**Warning!**  
Fully tighten all  
the bolts.

# 4



Assembly is complete.