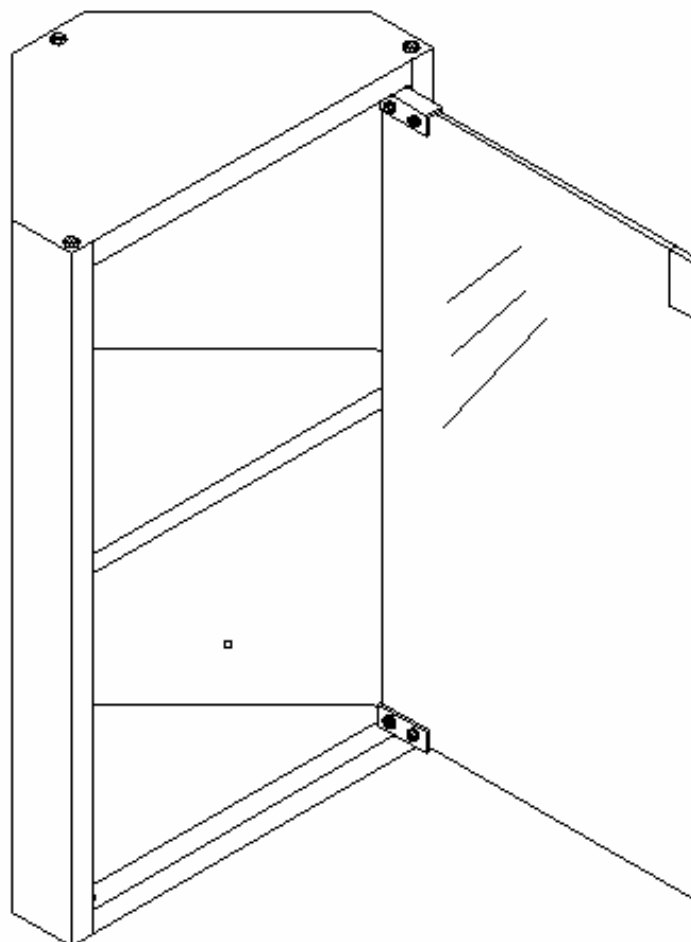


Assembly Instructions


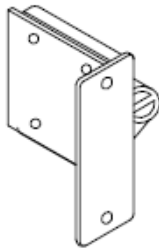



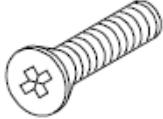
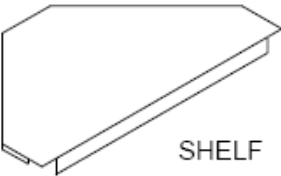
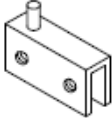







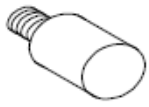


Before you start , here is some helpful advice ◦

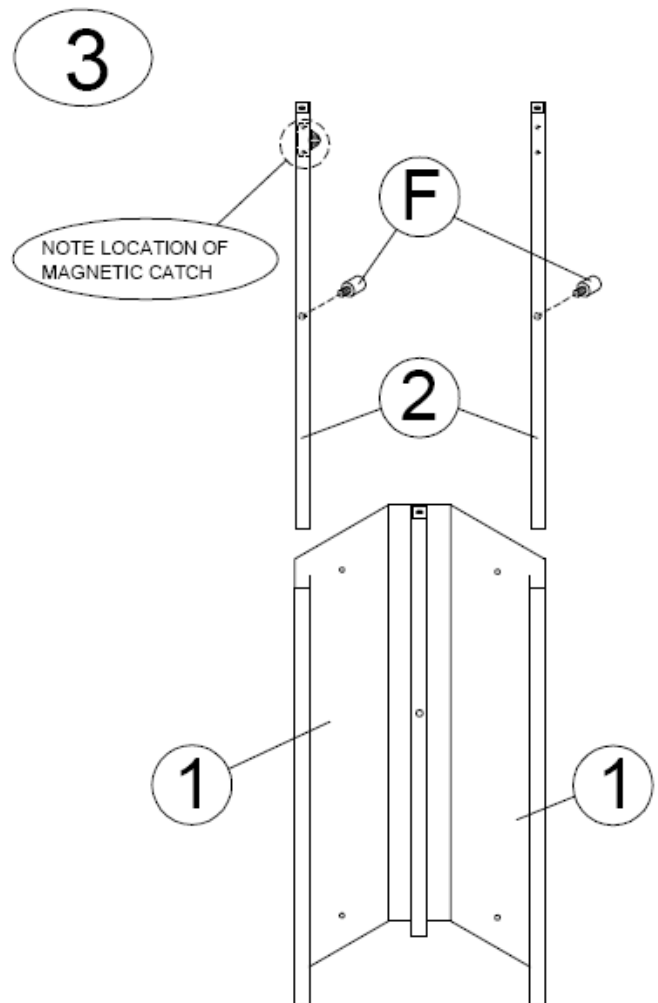
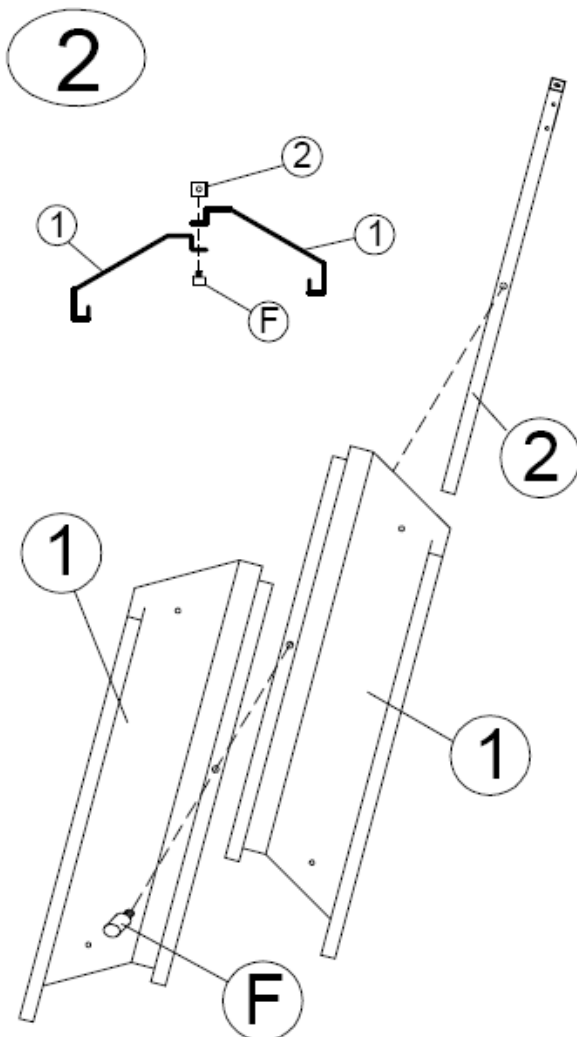
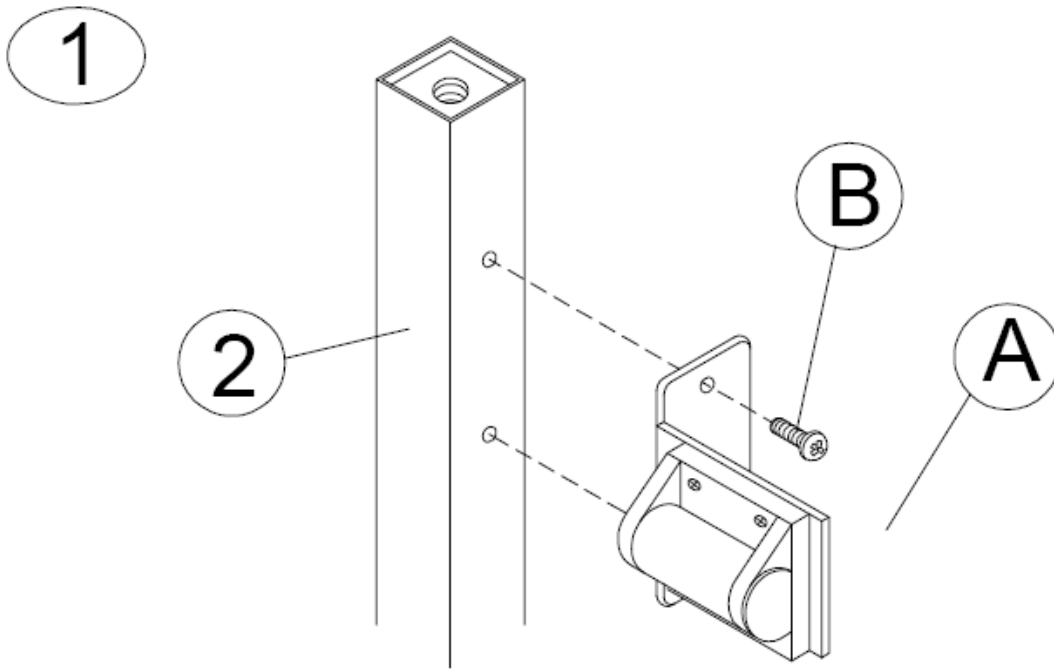
1. We suggest you spend a short time reading through this leaflet and then follow the simple step by step instructions.
2. If you follow the instructions carefully the end result should be worth the effort.
3. Do not discard any of the packaging until you have checked that you have all the parts and the pack of fittings.
4. Assemble this product on a carpet.
5. To ensure an easier assembly, we strongly advise that all fittings are only finger tightened during initial assembly. Only upon completion of the assembly should all fixing points be fully tightened.
6. We recommend a periodic check on all fixing points to make sure they remain fully tightened.
7. Keep glue and fittings out of children's reach.

In the unlikely event that this product has missing or Damaged parts, please call 01799 513466 to obtain spare.

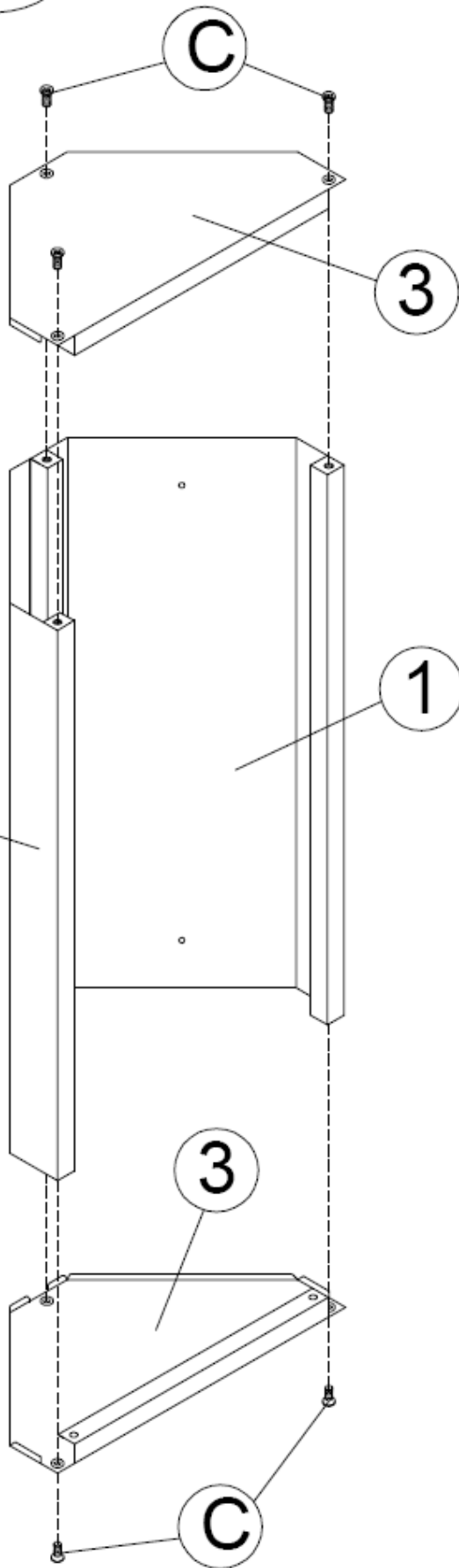
Component parts and fittings contained in the box

<p>①</p>	 <p>SIDE PANEL</p>	<p>x2</p>	<p>Ⓐ</p>		<p>x1</p>
<p>②</p>		<p>x3</p>	<p>Ⓑ</p>		<p>x2</p>
<p>③</p>	 <p>TOP AND BASE (EXTRA HOLES)</p>	<p>x2</p>	<p>Ⓒ</p>		<p>x6</p>
<p>④</p>	 <p>SHELF</p>	<p>x1</p>	<p>Ⓓ</p>		<p>x4</p>
<p>⑤</p>	 <p>MIRROR</p>	<p>x1</p>	<p>Ⓔ</p>		<p>x2</p>
<p>⑥</p>	 <p>MIRROR</p>	<p>x1</p>	<p>Ⓛ</p>		<p>x1</p>
<p>⑦</p>	 <p>MIRROR</p>	<p>x1</p>	<p>Ⓜ</p>		<p>x1</p>
<p>⑧</p>	 <p>MIRROR</p>	<p>x1</p>	<p>Ⓝ</p>		<p>x3</p>

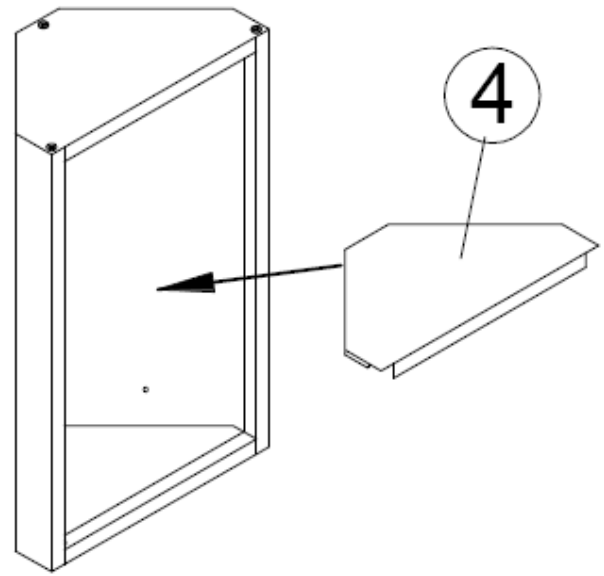
ASSEMBLY



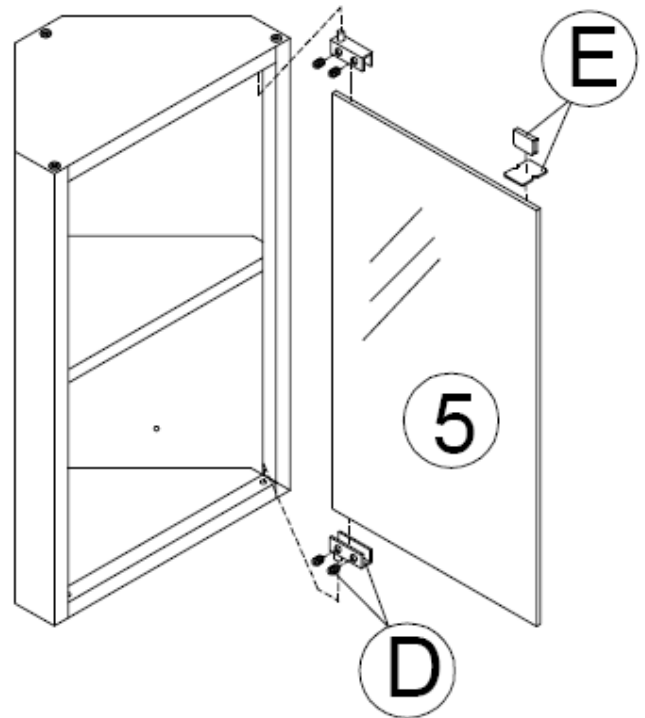
4



5



6



Customer Support

We have taken great care to ensure this item arrives complete and in good condition. Please unpack each piece carefully and confirm that all parts listed are available.

In the unlikely event that any of the smaller parts are missing or damaged, then we undertake to replace them as soon as possible.

To secure missing or damaged parts, or to seek further assembly or product related advice, you can contact our customer services department by email at:

cs@justwise.com

Alternatively if you prefer to speak to our customer services staff, please telephone 01799 513466.

(Note: the company reserves the right to modify the design, construction, colour and price without prior notice).

Justwise Group Ltd
6 The Shires
Shirehill Industrial Estate
Saffron Walden
Essex
CB11 3AP

Email: cs@justwise.com

Tel: 01799 513466
Fax: 01799 525657

Customer information

Keep these instructions for further use

PRODUCT INFORMATION

- This product complies with BS7449 : 1991
- Imported by:
Justwise Group Ltd
6 The Shires
Shirehill Industrial Estate
Saffron Walden
Essex
CB11 3AP
- Product stock ref: BSCC
- P/O NO:

The glass used with this product is annealed mirror glass of a nominal thickness of 5mm. It is not required to comply with BS 6206.

If a glass component is chipped or broken replace with glass of the type described on this label. Consult the manufacturer, retailer or agent with regard to obtaining a manufacturing specification and shape for replacement glass quoting the model number and batch number or date of manufacture.

WARNINGS

- (1) Do not place very hot or very cold items against or in close proximity to glass surfaces unless an adequately thick insulating material is used to prevent such items from coming into contact with the glass.
- (2) Do not strike the glass with hard or pointed items.
- (3) When cleaning glass panels or mirrors use damp cloth or leather with washing up liquid or soft soap if necessary, do not use washing powders or any other substance containing abrasives since these substances scratch glass.
- (4) Do not sit or stand upon horizontal glass surfaces.
- (5) It is essential that this unit is fixed to the wall with suitable fixings.

WALL FIXINGS

It is essential that this unit is securely fixed
to a wall!

Please be reminded of the dangers that
may arise, if it is not correctly installed.

Installation should only be carried out by a
competent person, using suitable tools in a
safe manner.

Before securing this item to the wall, please
ensure the fixings you intend to use are
suitable for your wall type, and will safely
secure the weight of the unit, plus any future
contents.