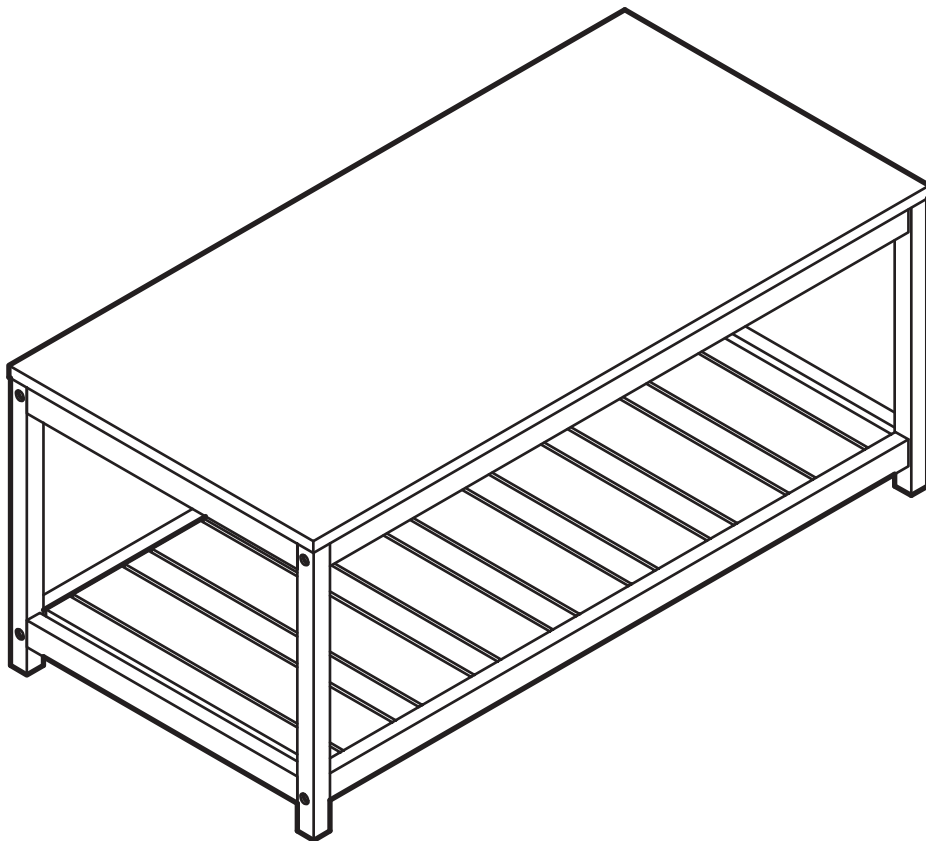


habitat 


# OLDEANIA BAMBOO



## Spare Parts

 [www.argos-support.co.uk](http://www.argos-support.co.uk)

 [Help@ClickSpares.co.uk](mailto:Help@ClickSpares.co.uk)

 0370 112 1928

## Customer Support

 0345 640 2020



# Safety and Care Advice

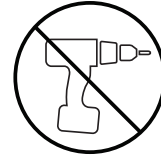
---

## Product Details

Hab Oldeania Bamboo Coffee Table  
4077730

## IMPORTANT, RETAIN FOR FUTURE REFERENCE: READ CAREFULLY.

- Keep children and animals away from the work area, small parts could choke if swallowed.
- Assemble the item as close to its final position (in the same room) as possible.
- Assemble on a soft level surface to avoid damaging the unit or your floor.
- We do not recommend the use of power drill/drivers for inserting screws as this could damage the unit. Only use hand screwdrivers.
- Parts of the assembly will be easier with 2 people.
- Dispose of all packaging carefully and responsibly.



## Care and maintenance

---

- Only clean using a damp cloth and mild detergent. Do not use abrasive cleaners.
- From time to time check that there are no loose screws, nuts or bolts. If there are please re-tighten.
- This product should not be discarded with household waste. Take to your local authority waste disposal centre.
- Use a dry cloth to clean the product, furniture polish is not recommended.

## Additional Guidance

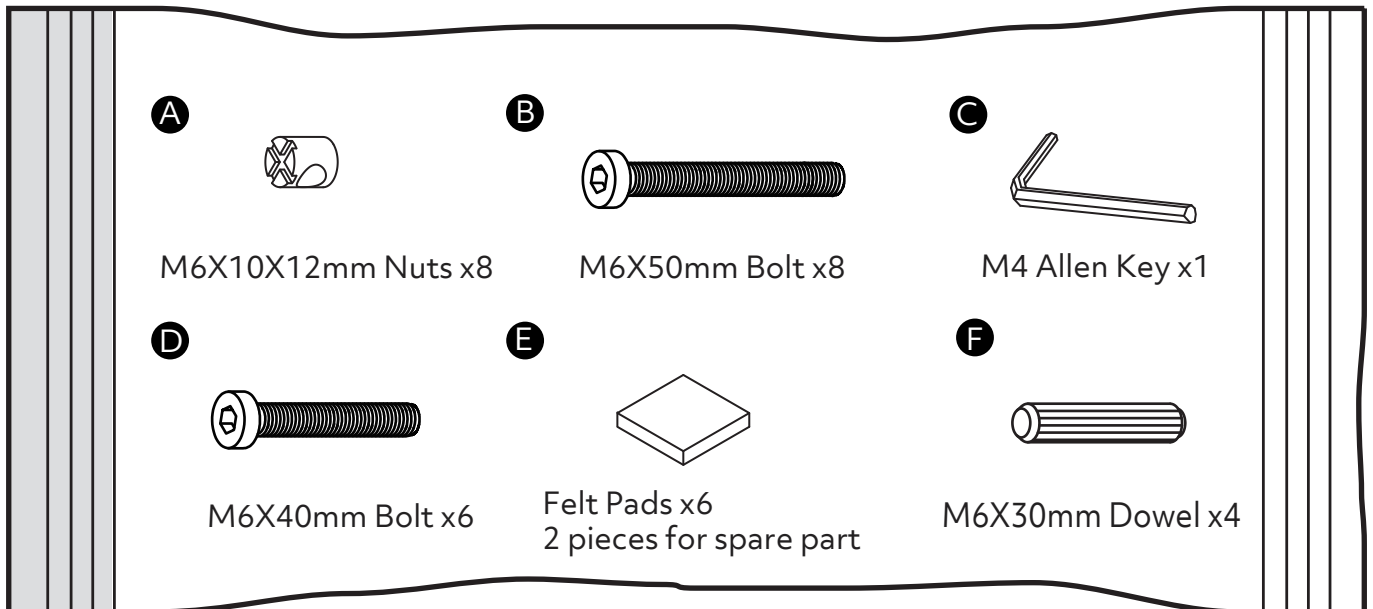
---

- Assemble all parts and bolts loosely during assembly, only once the product is complete should you fully tighten the bolts.
- Regularly check and ensure that all bolts and fittings are tightend properly.
- Maximum loading weight 100kg, Shelf maximum loading weight 50kg.
- This product is compliant EN12521.
- Any additional or replacement parts are obtained from the manufacturer.

# Fittings (Shown to scale)

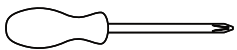
---

## Bag 1



## Tools required

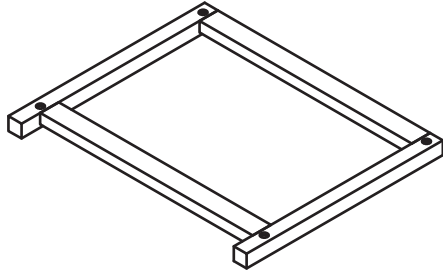
---



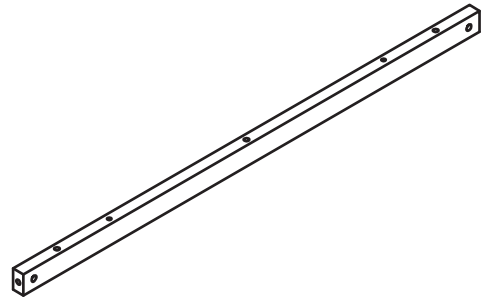
Phillips screwdriver  
(small & medium)

# Part

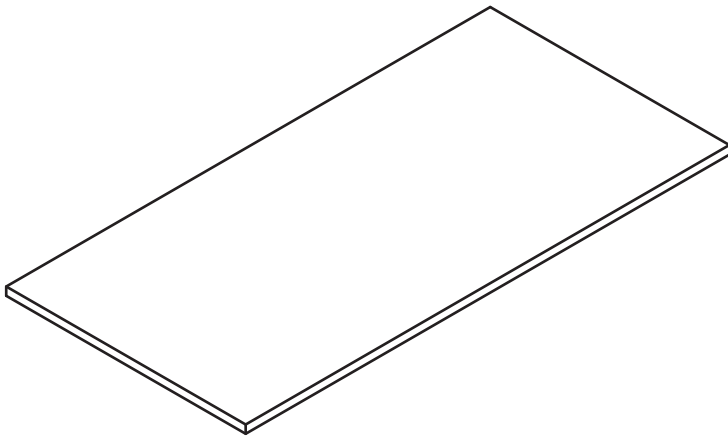
---



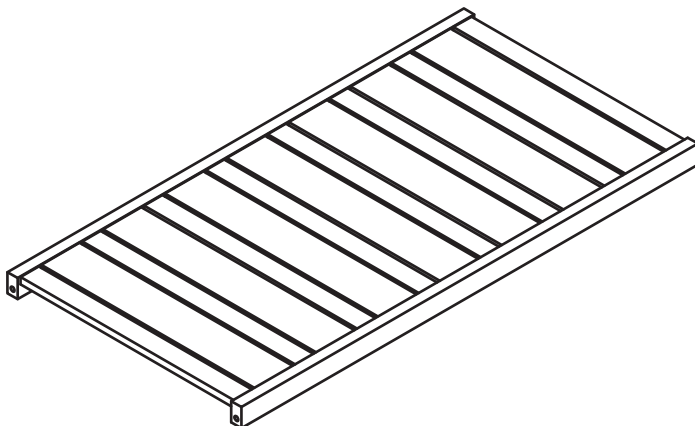
1 Side Frame  
(365 x 441 x 24mm) (x2)



4 Support Rail  
(847x 34 x 19mm) (x2)

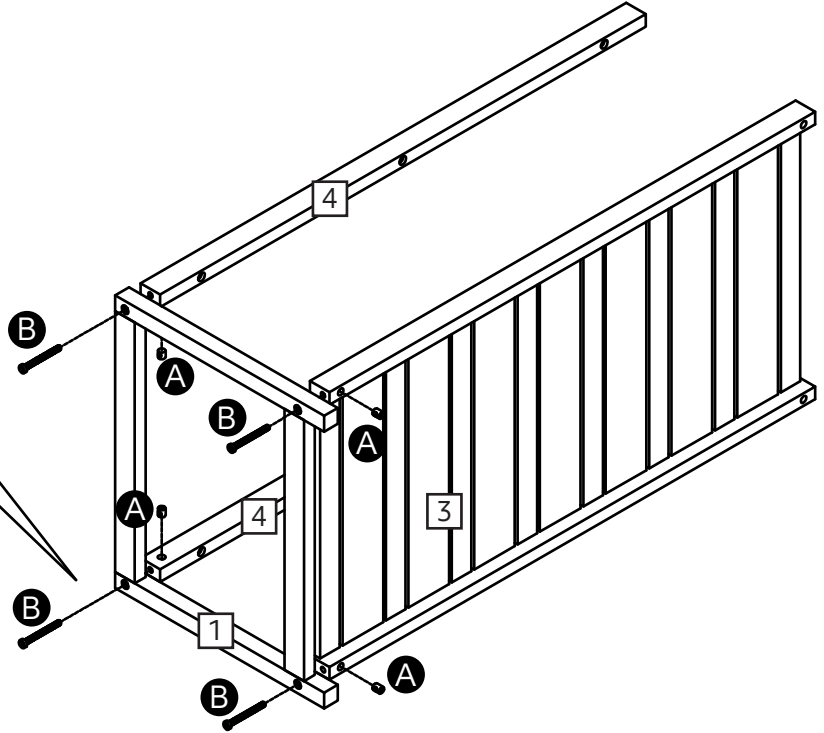
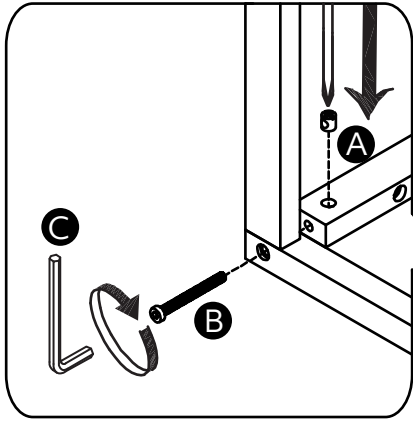
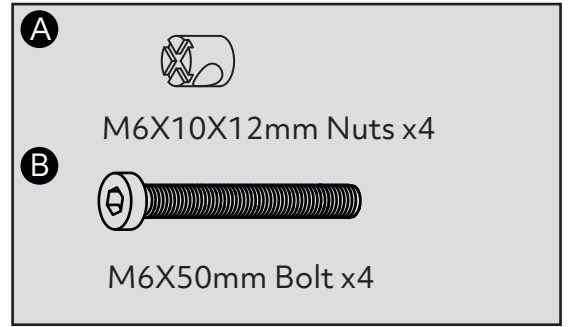
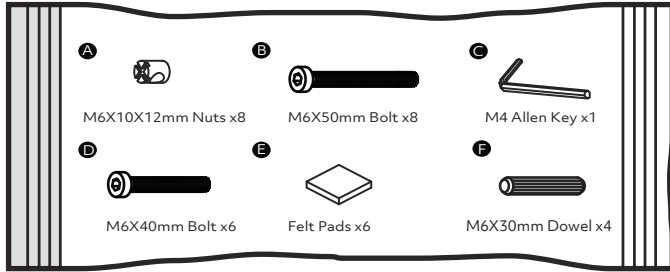


2 Top Panel  
(901 x 447 x 15mm)



3 Bottom Panel  
(847x 435 x 34mm)

# 1



# 2

