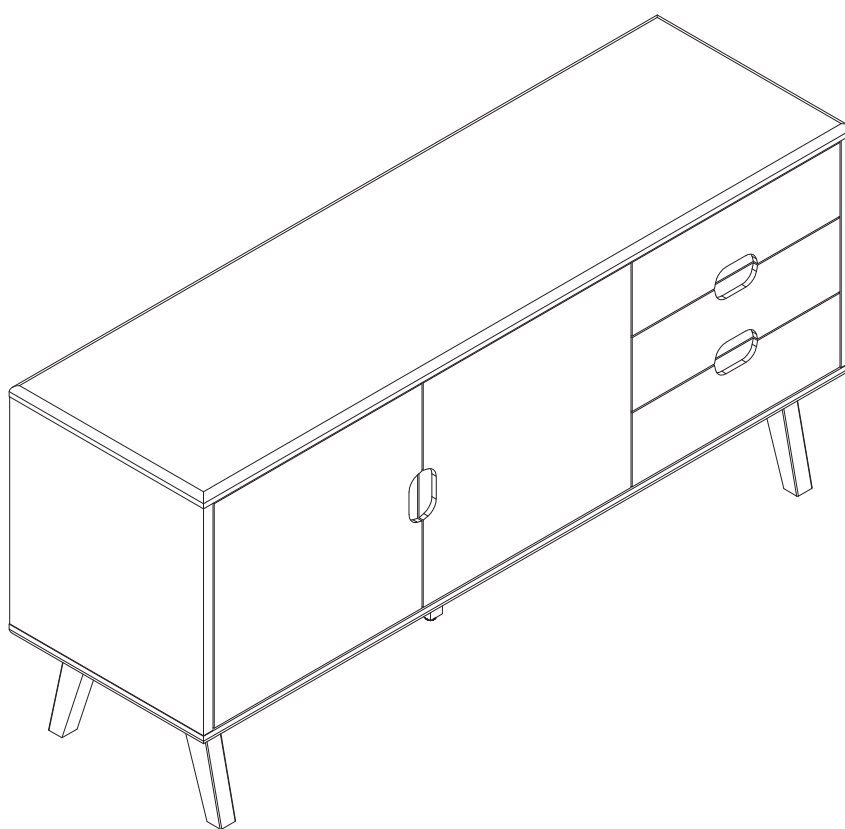



Esala

 habitat




Spare Parts

 www.argos-support.co.uk

 Help@ClickSpares.co.uk

 0370 112 1928

Customer Support

 0345 640 2020



Safety and Care Advice

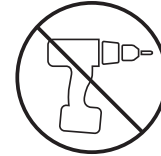
Product Details

Scion Esala Sideboard / 4077699

IMPORTANT, RETAIN FOR FUTURE REFERENCE: READ CAREFULLY.

- Keep children and animals away from the work area, small parts could choke if swallowed.
- Make sure you have enough space to layout the parts before starting.
- This product has been constructed to be used in the domestic environment only and not for commercial purposes.

- Assemble the item as close to its final position (in the same room) as possible.
- Assemble on a soft level surface to avoid damaging the unit or your floor.



• We do not recommend the use of power drill/drivers for inserting screws as this could damage the unit. Only use hand screwdrivers.

- Parts of the assembly will be easier with 2 people.
- Dispose of all packaging carefully and responsibly.

Care and maintenance

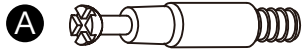
- Only clean using a damp cloth and mild detergent. Do not use abrasive cleaners.
- Use a dry cloth to clean the product, furniture polish is not recommended.
- From time to time check that there are no loose screws, nuts or bolts. If there are please re-tighten.
- This product should not be discarded with household waste. Take to your local authority waste disposal centre.

Additional Guidance

- Assemble all parts and bolts loosely during assembly, only once the product is complete should you fully tighten the bolts.
- Regularly check and ensure that all bolts and fittings are tightend properly.
- Maximum loading weight 50kg.
- This product is compliant EN14749, BS4875-7

Fittings (Shown to scale)

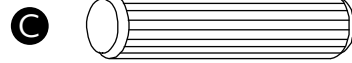
Bag 1



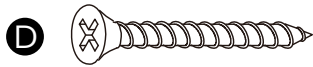
A 32mm Metal Dowel x40



B Locking Nut x40



C 30mm Wooden Dowel x 20



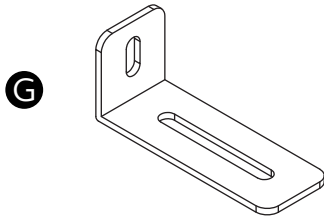
D 35mm Screw x12



E 16mm Screw x34



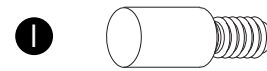
F 16mm Screw x 2



G L Shap Bracket x 2



H 14mm Nut x4



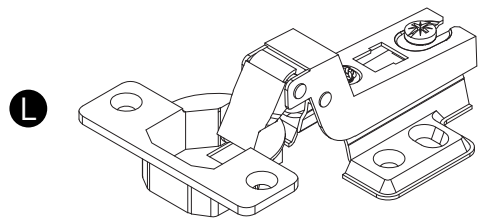
I Drawer Stopper x3



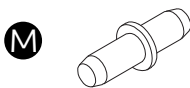
J Plastic Cleat x6



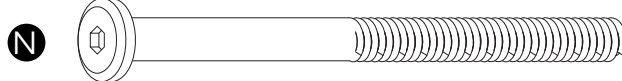
K Ø26mm Felt Pad x 6



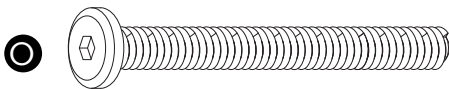
L Door Hinge x4



M Shelf Pin x8



N M6x80mm Bolt x4



O M6x60mm Bolt x4



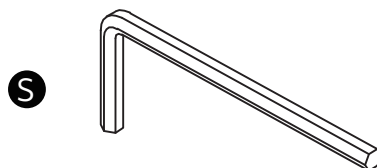
P Spring Washer x8



Q Flat Washer x8

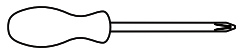


R Silicone Pad x4

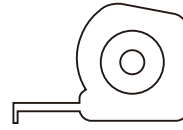


S Allen Key x1

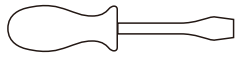
Tools required



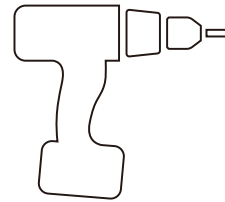
Phillips screwdriver
(small & medium)



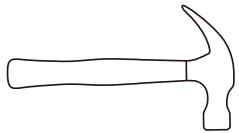
Ruler/tape
measure



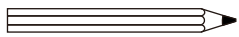
Phillips screwdriver
(small & medium)



Power Drill



Large hammer

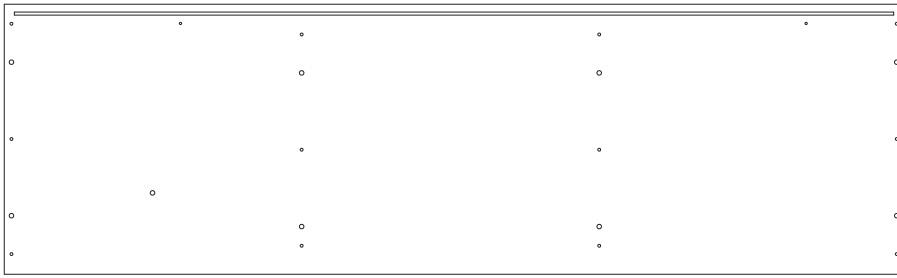


Pencil

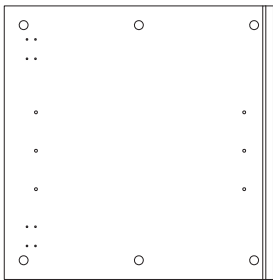


Drill Heads

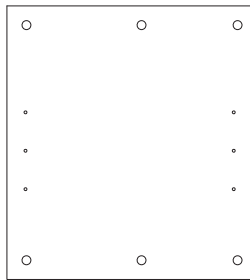
Panels



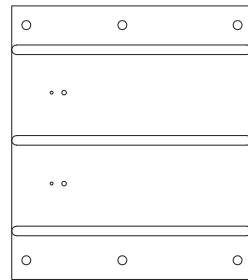
1 Top Panel x 1
(1500 x 450mm)



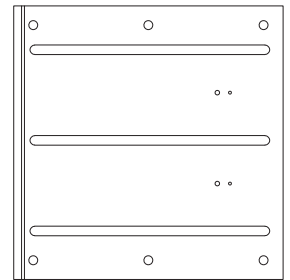
2 Left Side Panel x 1
(456 x 449mm)



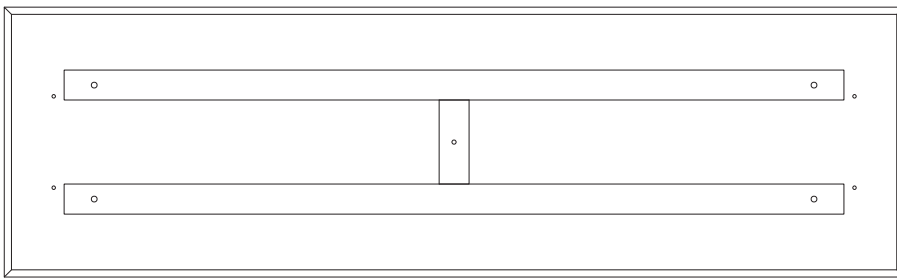
4 Middle Left Panel x 1
(456 x 409mm)



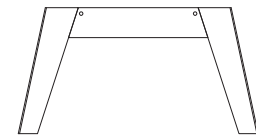
5 Middle Right Panel x 1
(456 x 409mm)



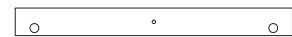
3 Right Side Panel x 1
(456 x 449mm)



6 Bottom Panel x 1
(1500 x 450mm)



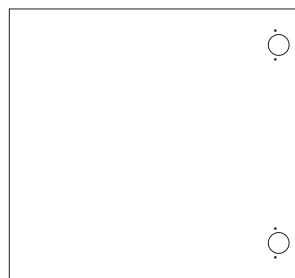
7 Leg Frame x 2
(400 x 210mm)



8 Rail x 2
(462 x 46mm)



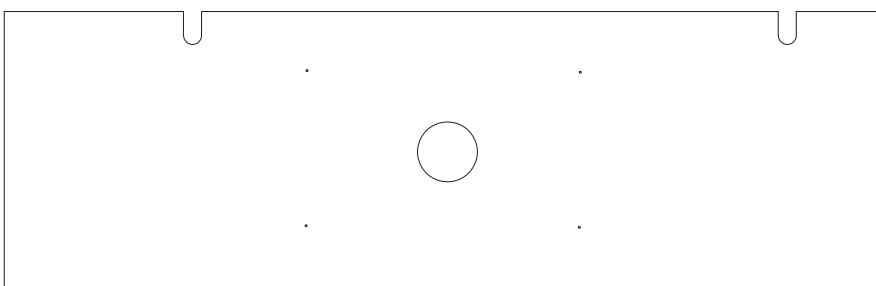
9 Shelf Panel x 2
(474 x 407mm)



10 Door x 2
(481 x 450mm)

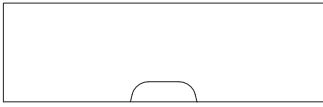


11 Support Leg x 1
(206 x 28mm)

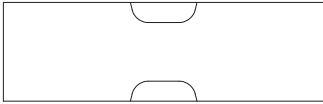


12 Back Panel x 1
(1466 x 467mm)

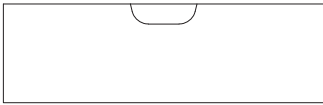
Panels



13 Upper Drawer Front x1
(481 x 148mm)



14 Middle Drawer Front x1
(481 x 148mm)



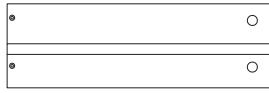
15 Bottom Drawer Front x1
(481 x 148mm)



19 Drawer Back Panel x3
(422 x 126mm)



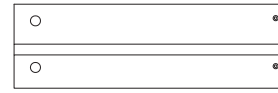
20 Drawer Bottom Panel x3
(433 x 394mm)



16 Left Side Drawer x3
(400 x 126mm)

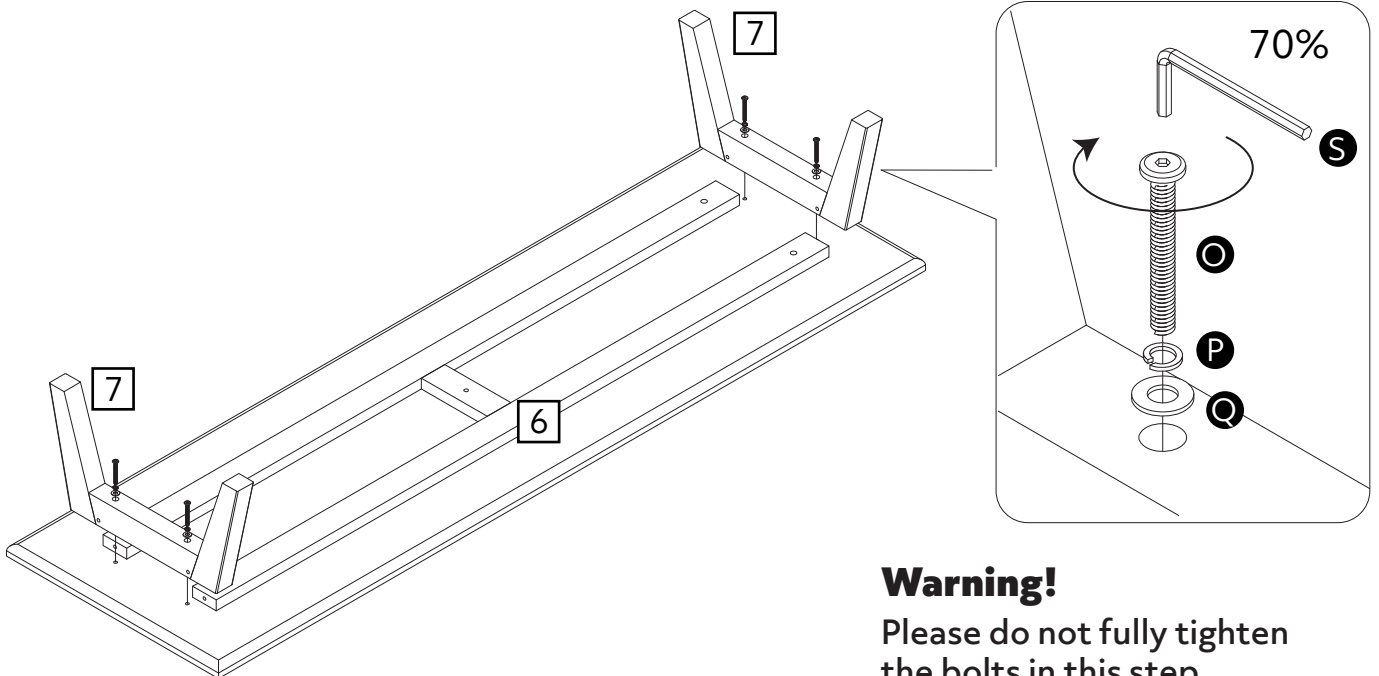
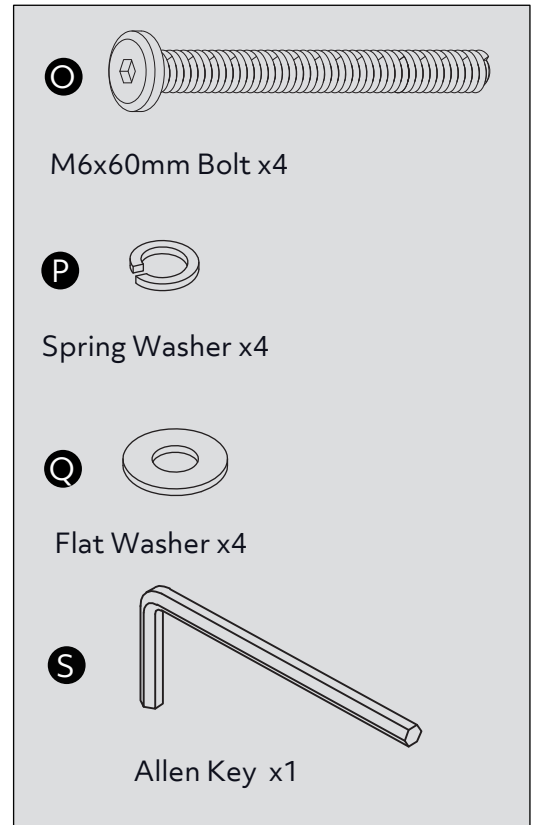
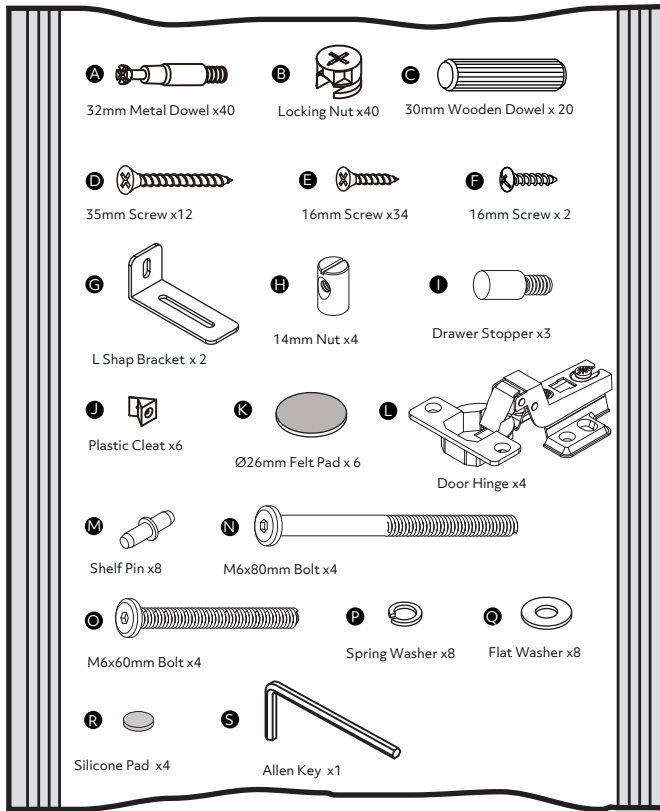


17 Upper Right Side Drawer x1
(400 x 126mm)

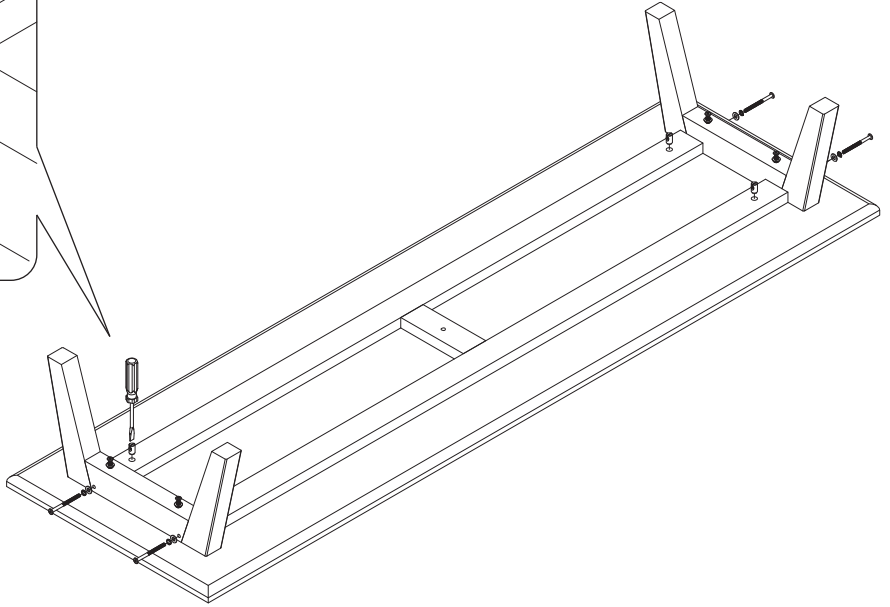
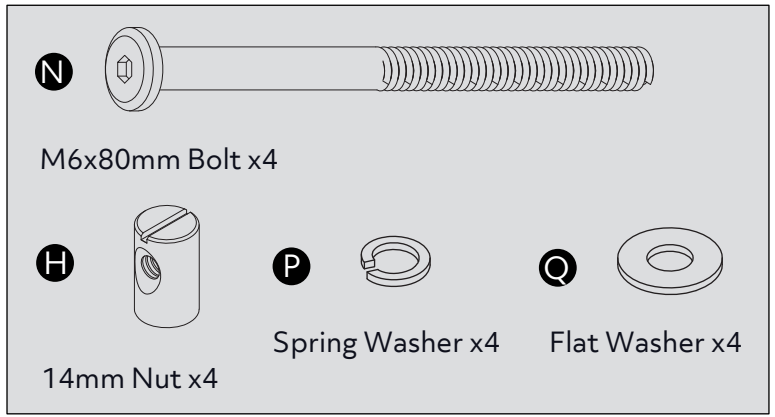
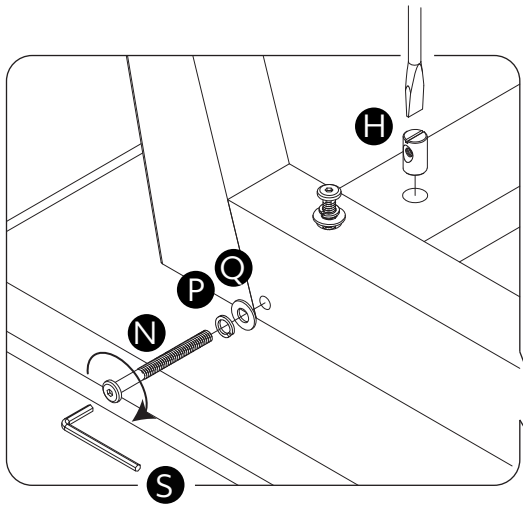


18 Right Side Drawer x2
(400 x 126mm)

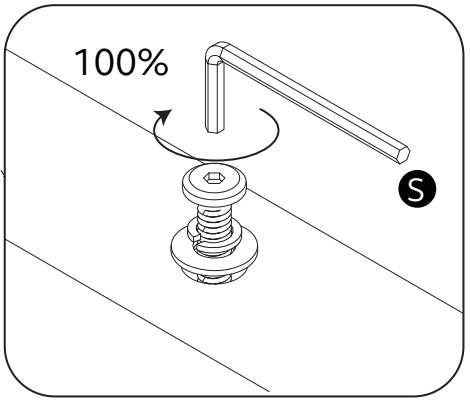
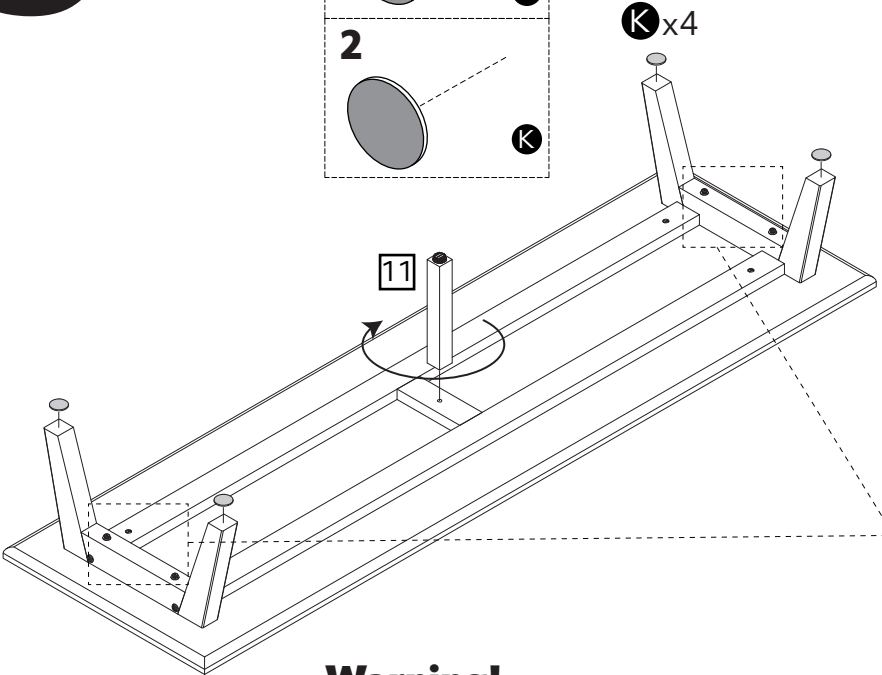
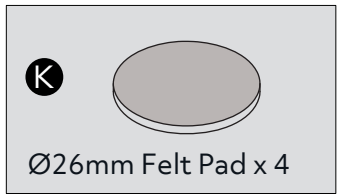
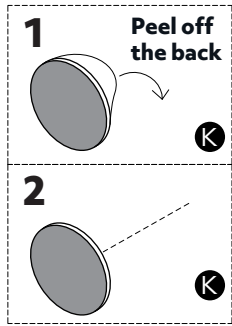
1



2

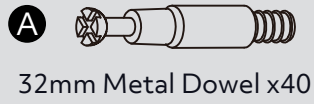


3



Warning!
Please do fully tighten all the bolts in this step.

4



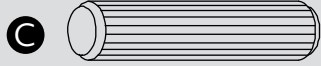
32mm Metal Dowel x40



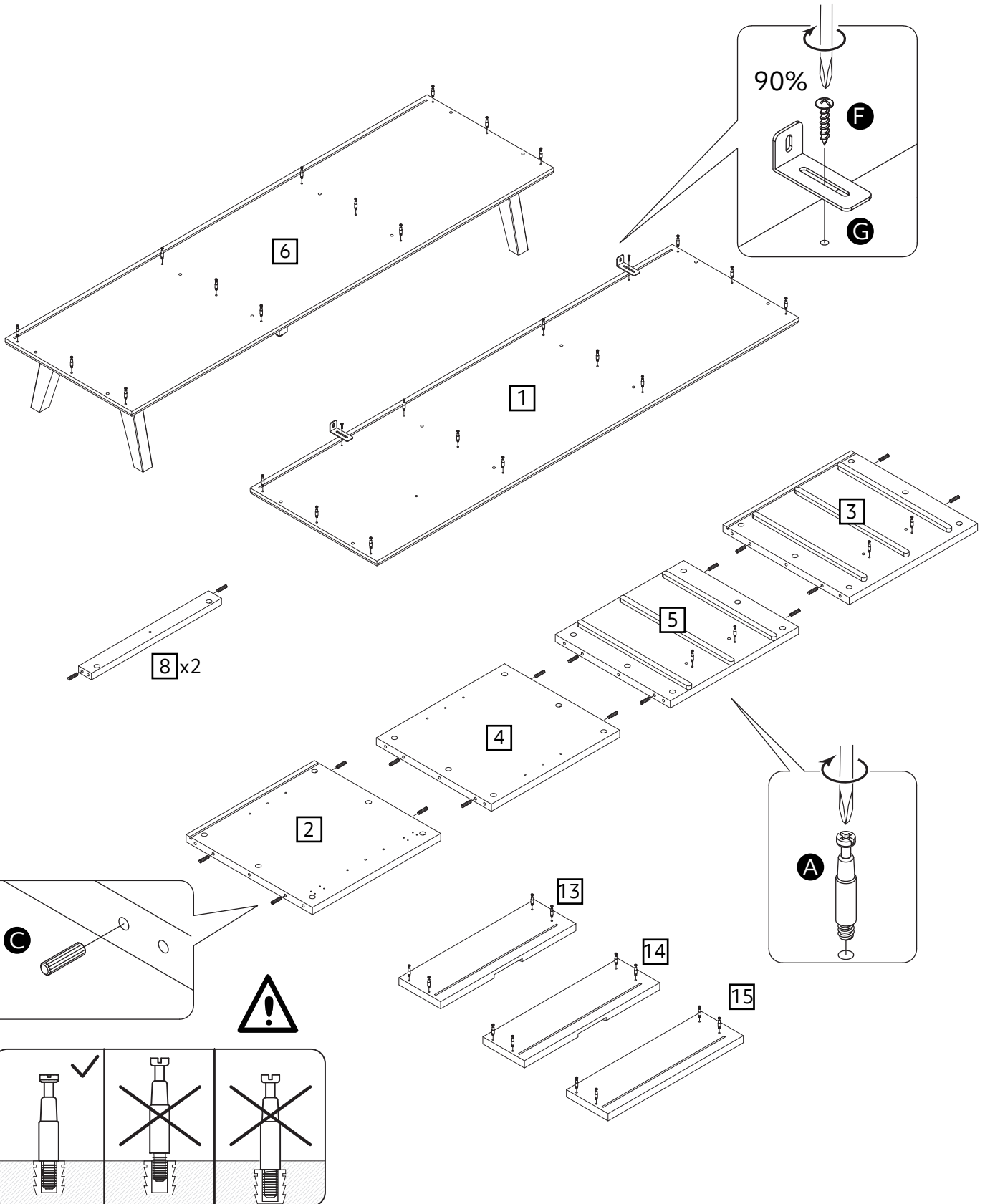
16mm Screw x2



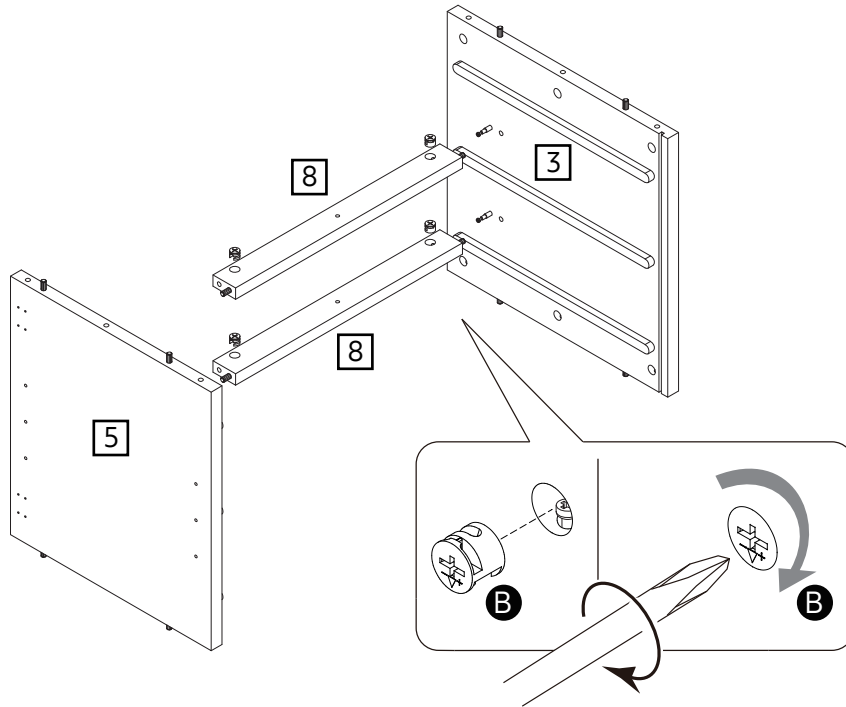
L Shap Bracket x 2



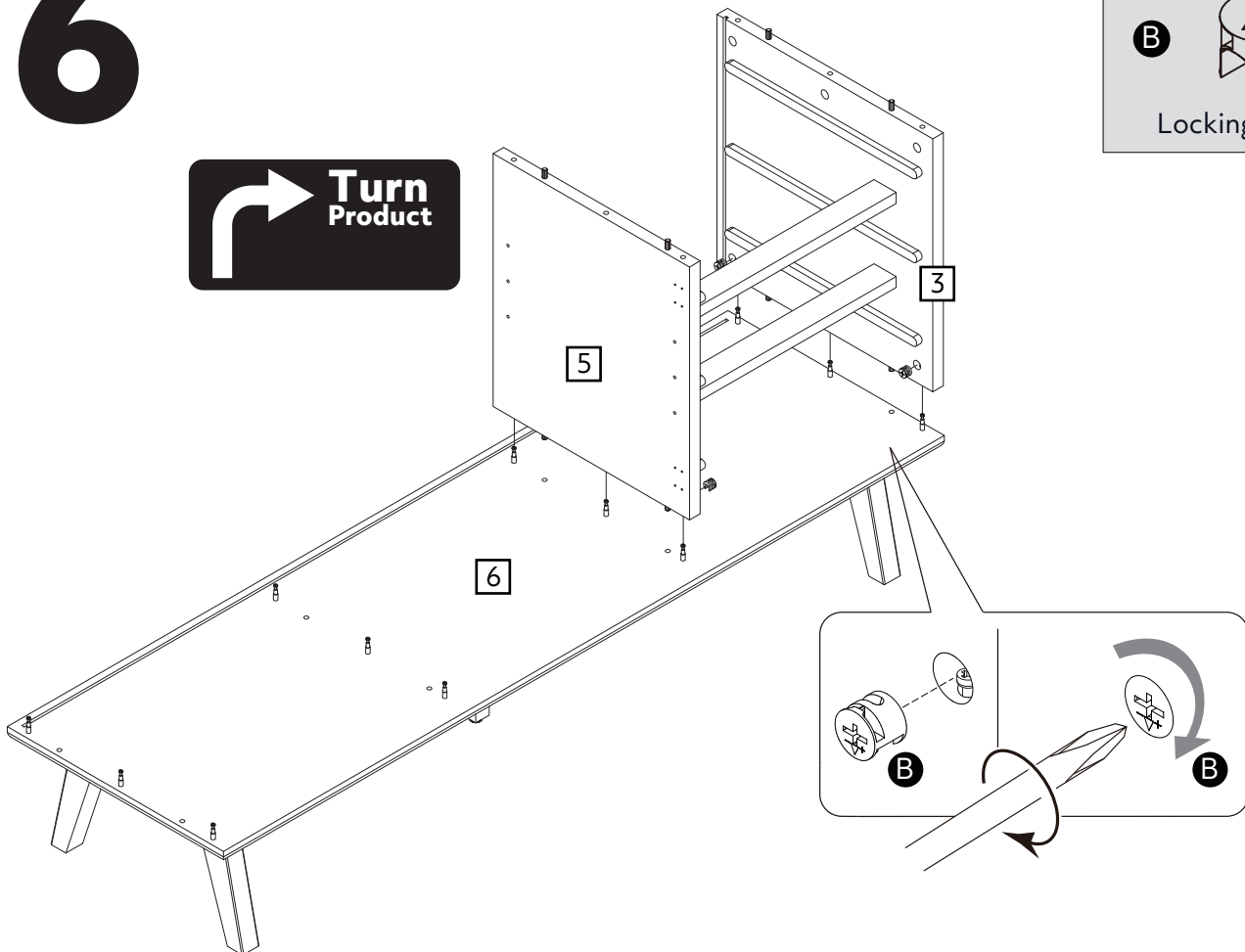
30mm Wooden Dowel x 20



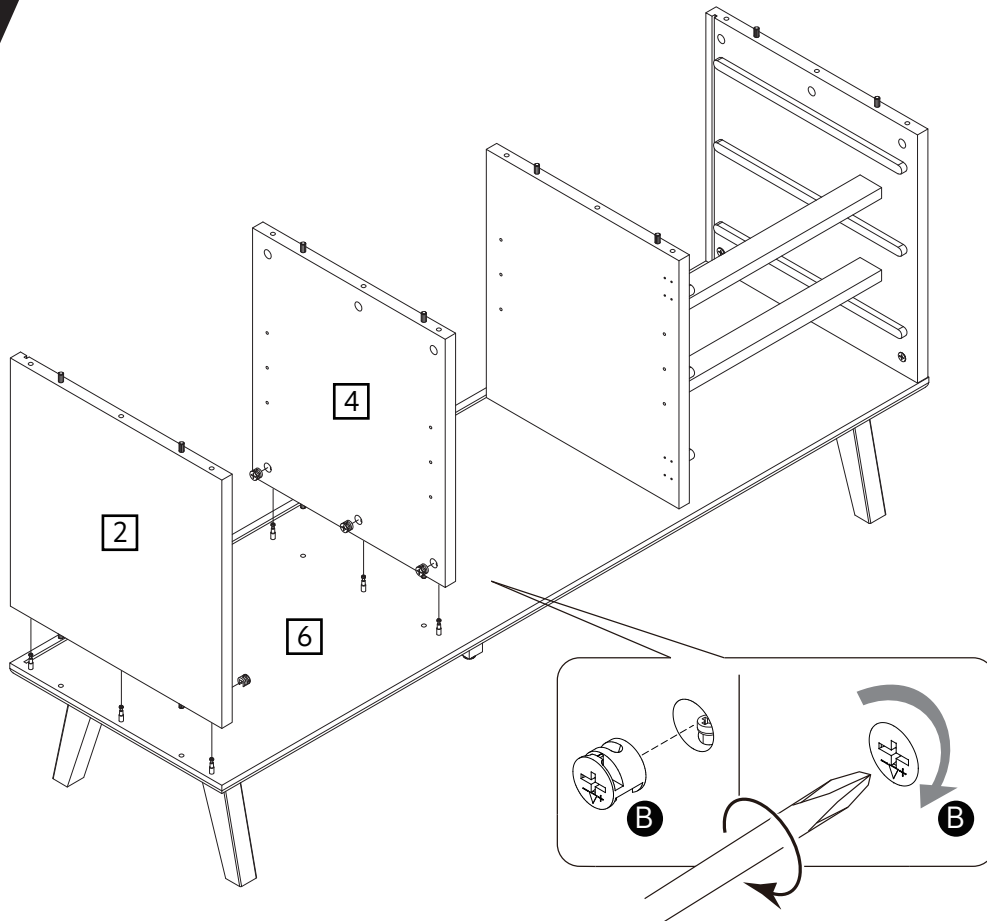
5



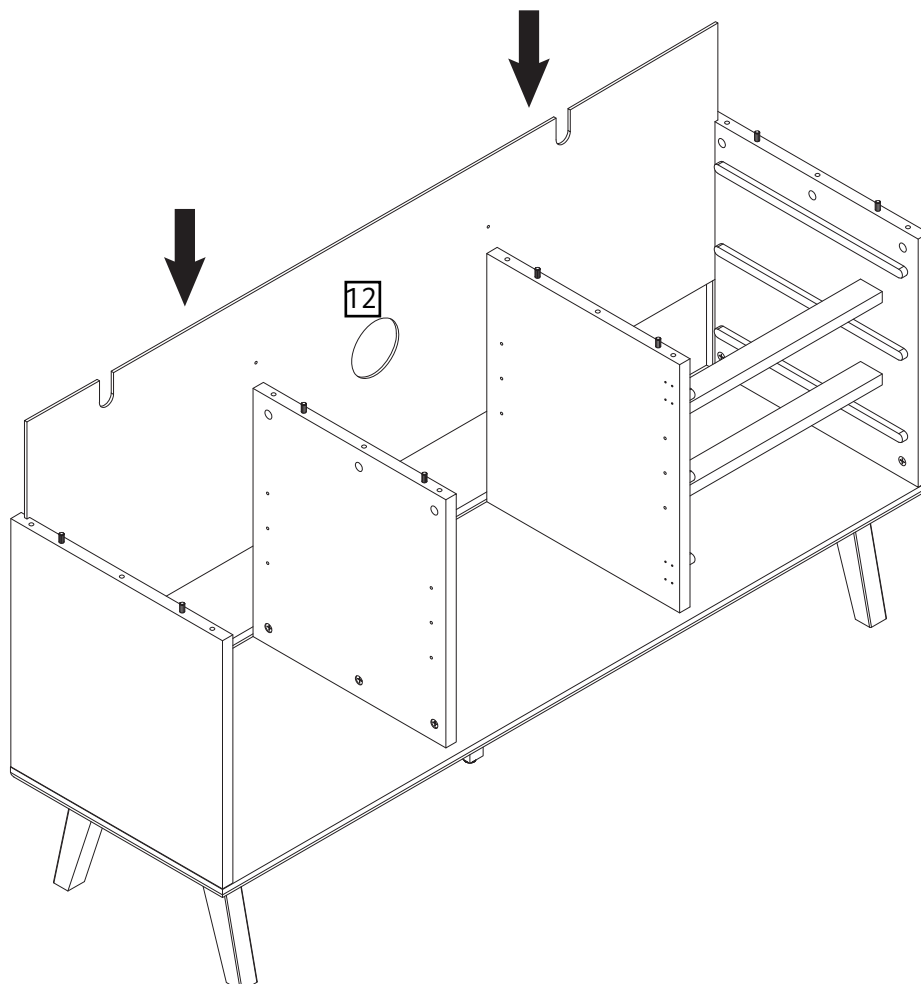
6



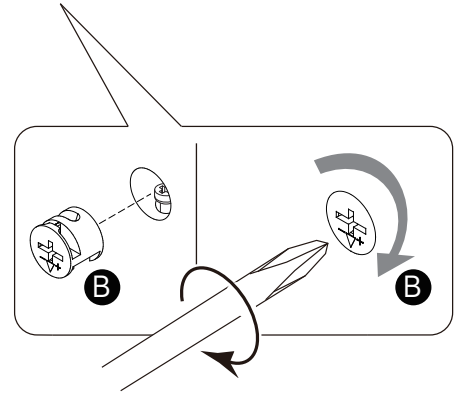
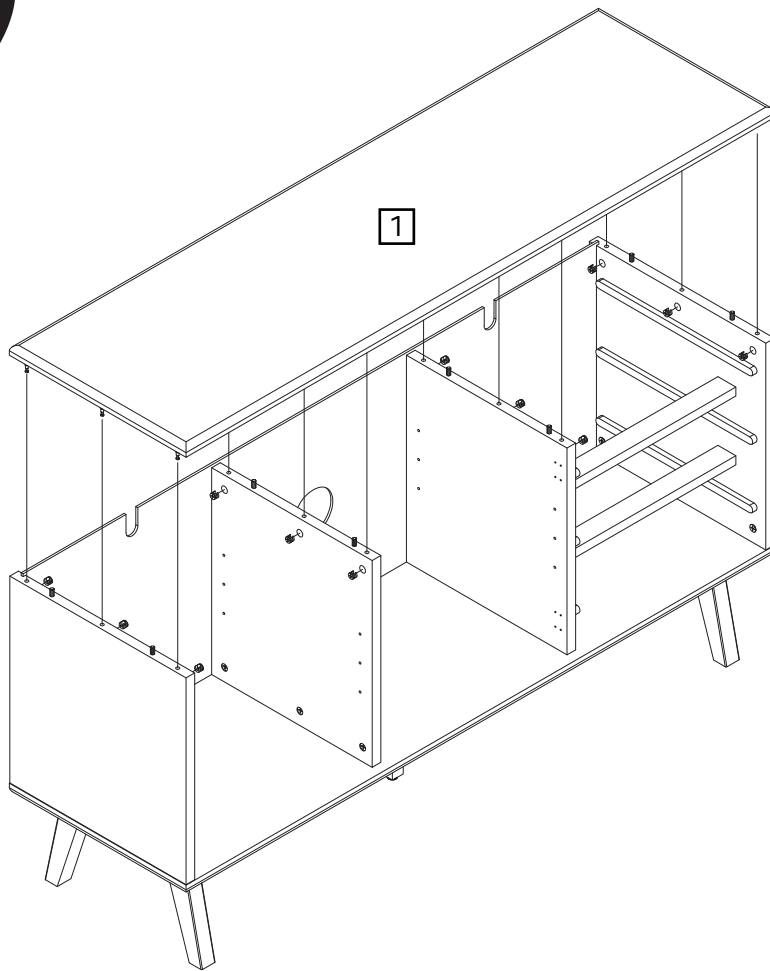
7



8

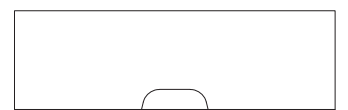
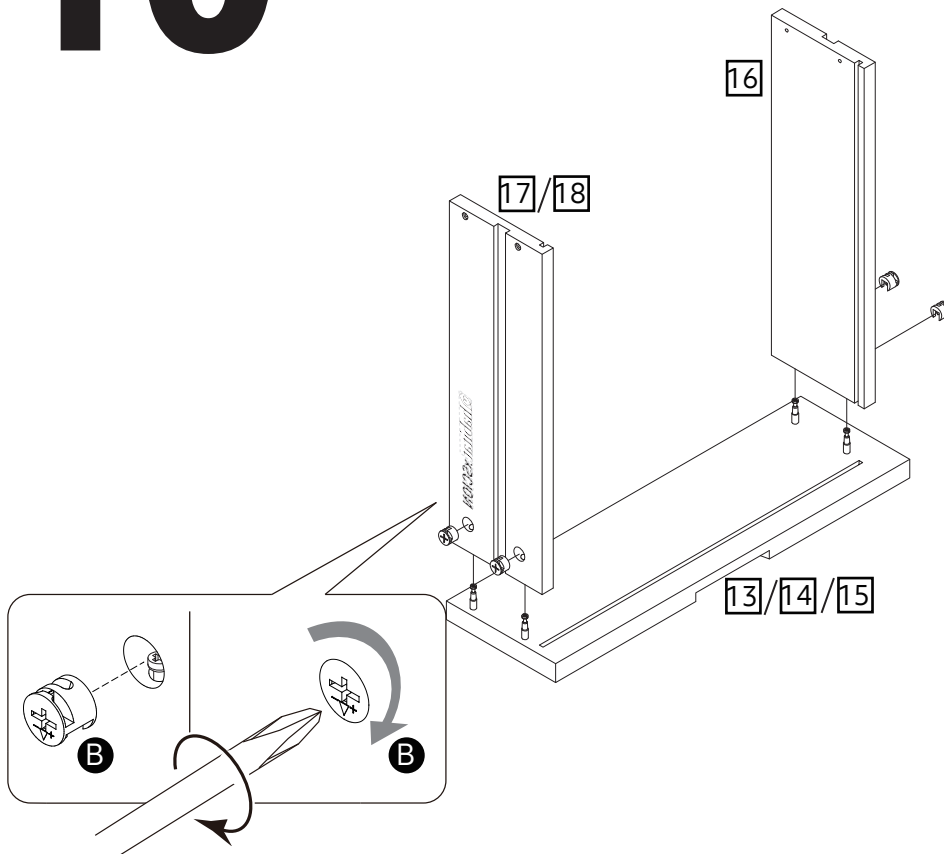


9

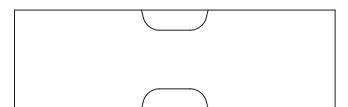


10

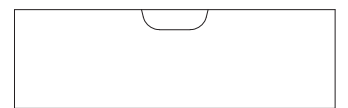
 Repeat x3



13 Upper Drawer Front x1



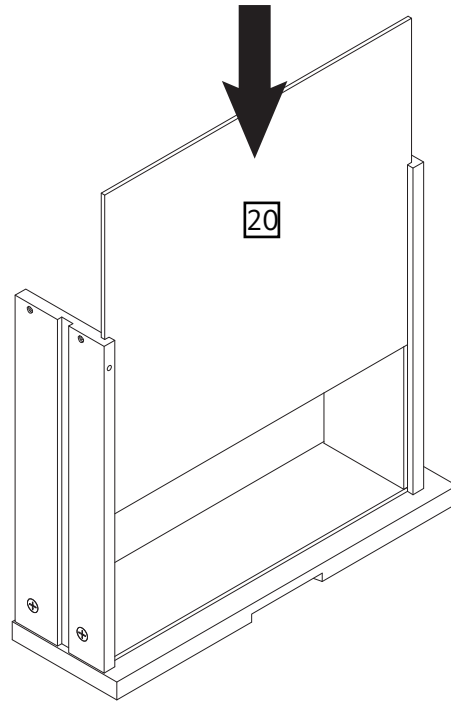
14 Middle Drawer Front x1



15 Bottom Drawer Front x1

11

 Repeat
x3

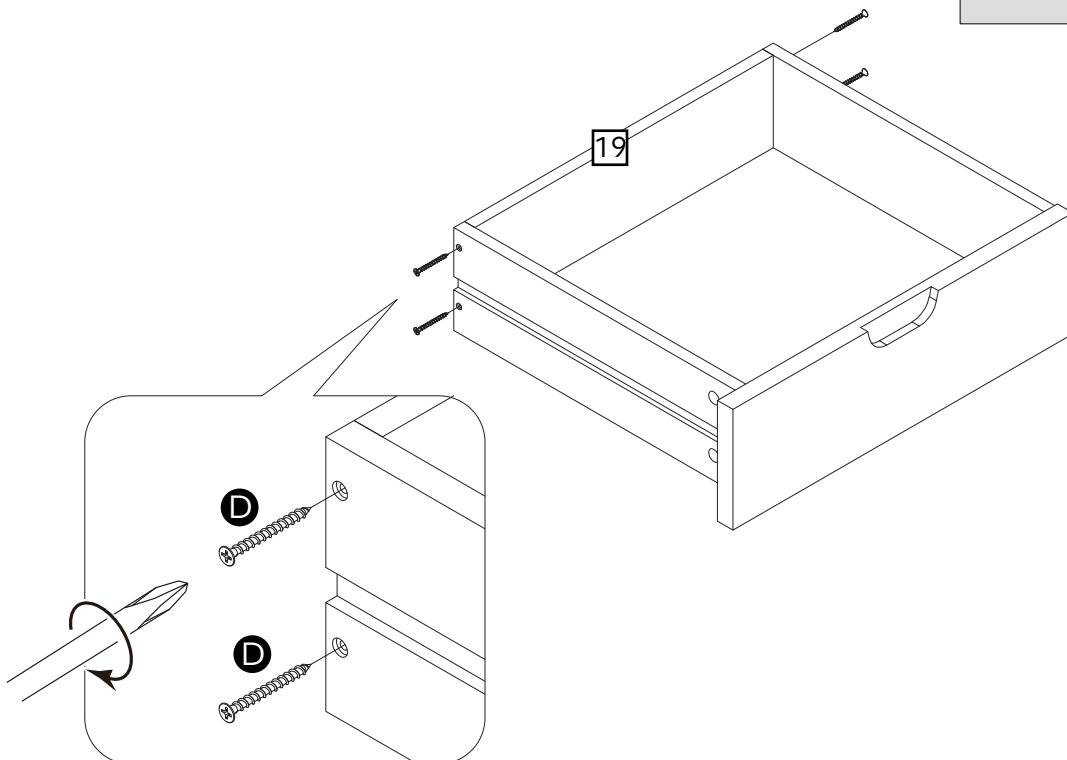


12

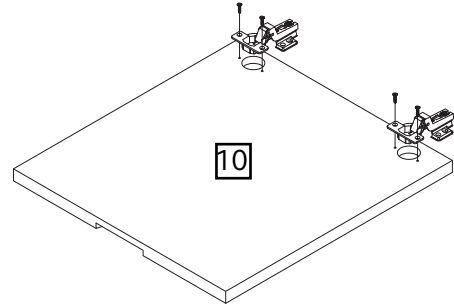
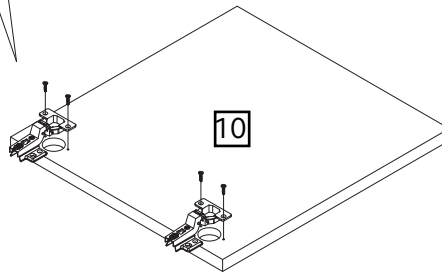
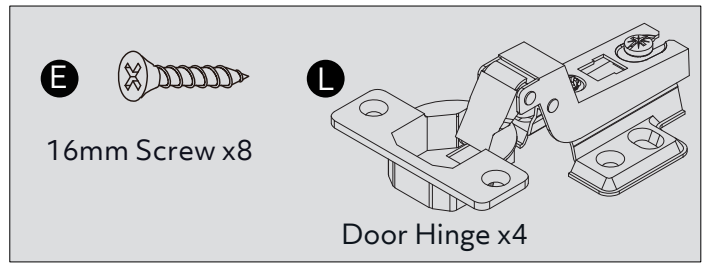
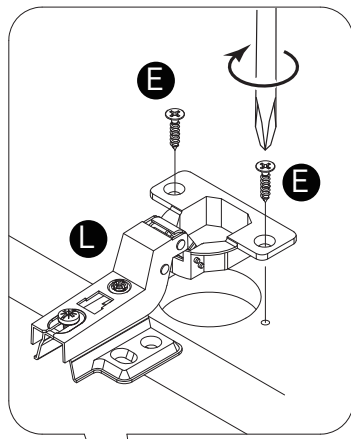
 Repeat
x3



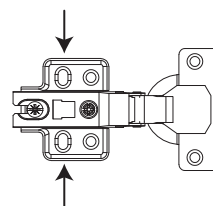
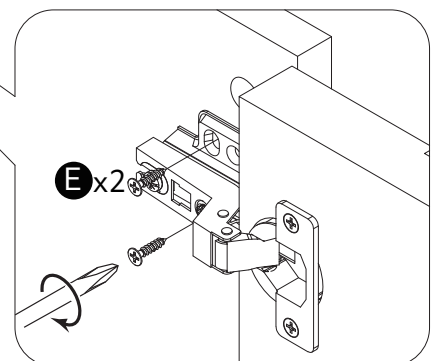
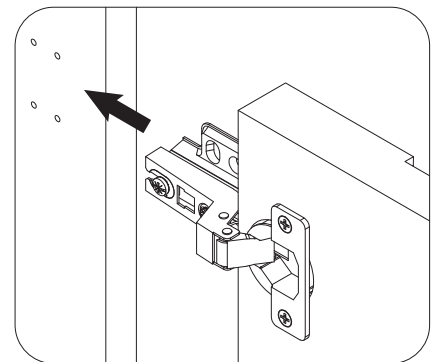
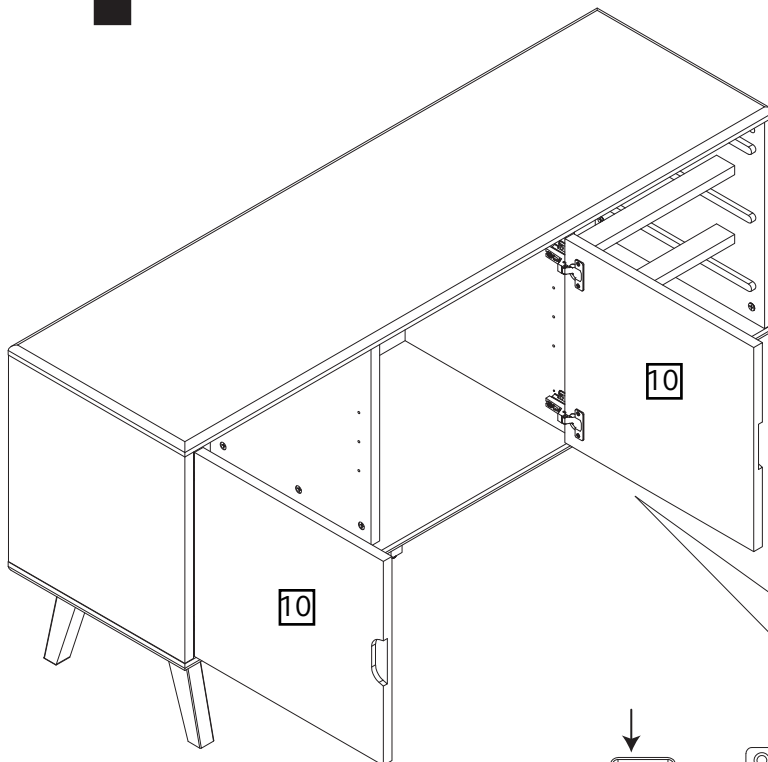
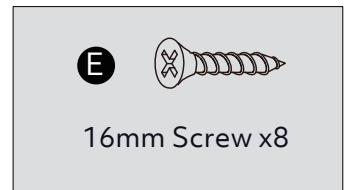
35mm Screw x12



13



14



15



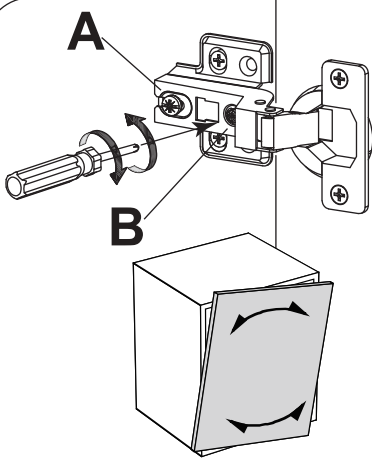
Please Note!

With the unit in its final position, the door can be adjusted to fit by moving the hinges up and down on the unit side, and adjusting the screw in the centre of each hinge to alter the angle and fit of the door in its frame.

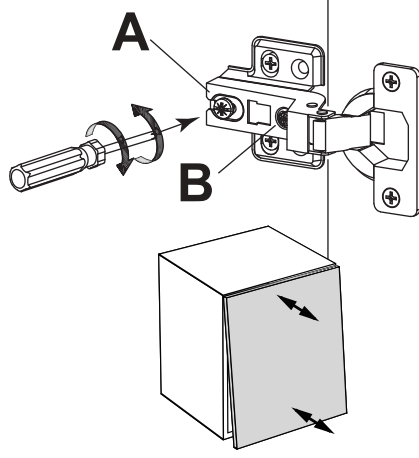
E



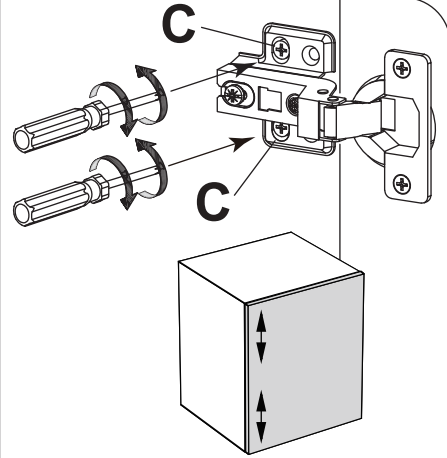
16mm Screw x8



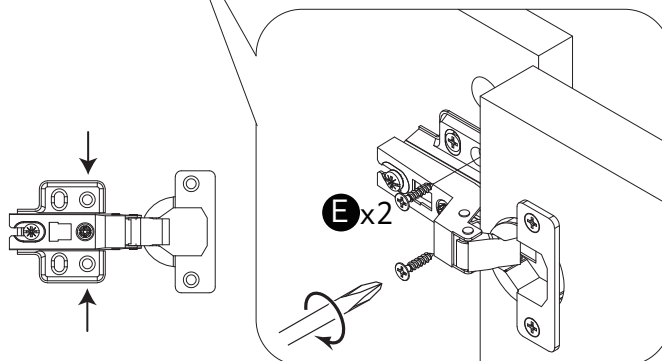
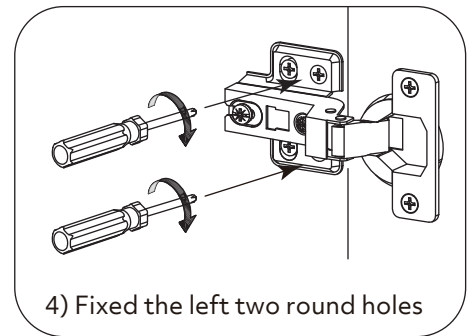
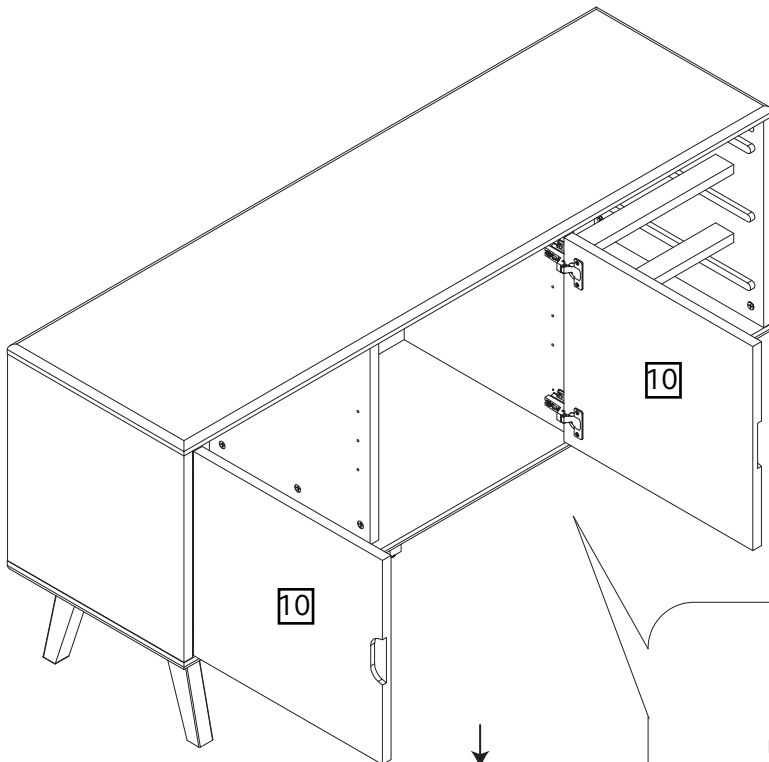
1) Side to side adjustment:
Loosen screw A, adjust gap with screw B and re-tighten screw A.





2) Depth adjustment:
Loosen screw A, push hinge arm forwards or backwards, re-tighten screw A and secure screw B with a 1/4 turn clockwise.



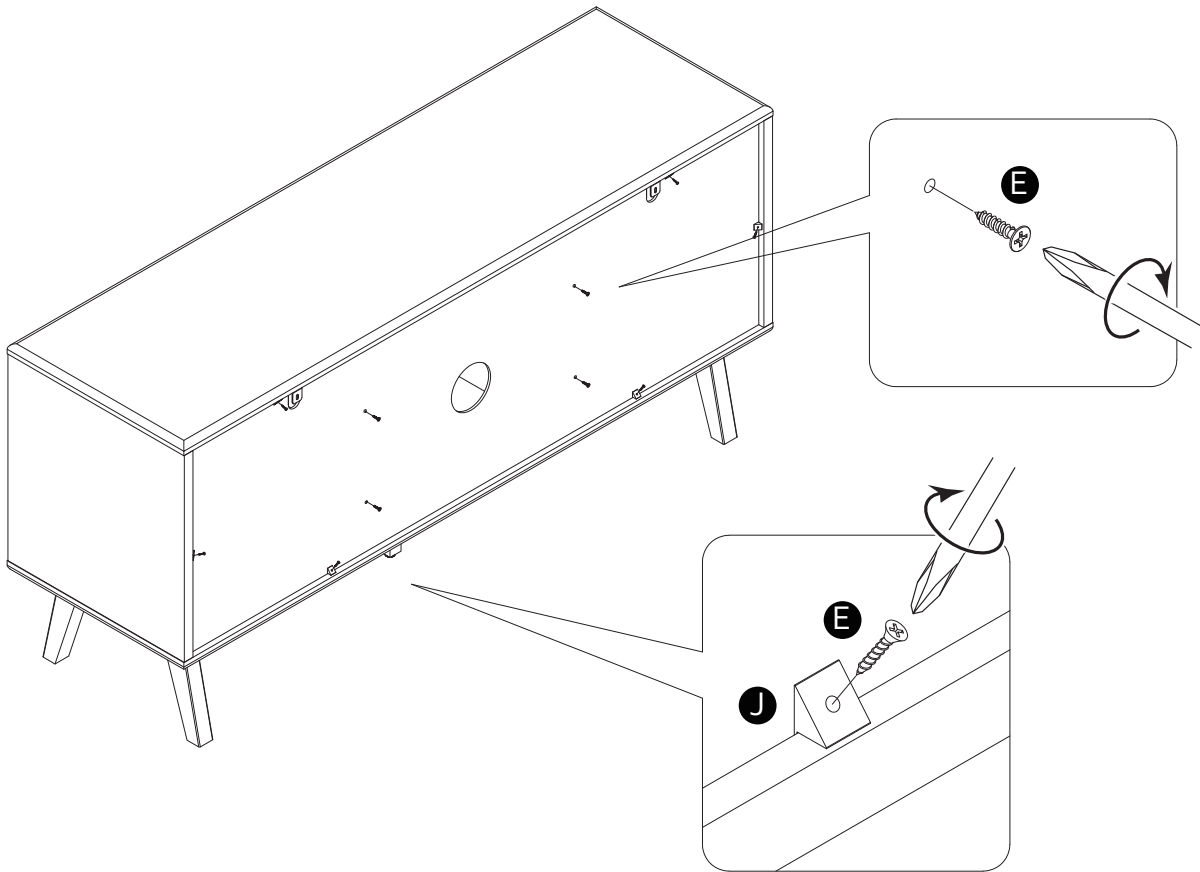
3) Height adjustment:
Loosen screw C, adjust door height and re-tighten screw C.



16

E 	J 
16mm Screw x10	Plastic Cleat x6

 **Rotate Product**



17



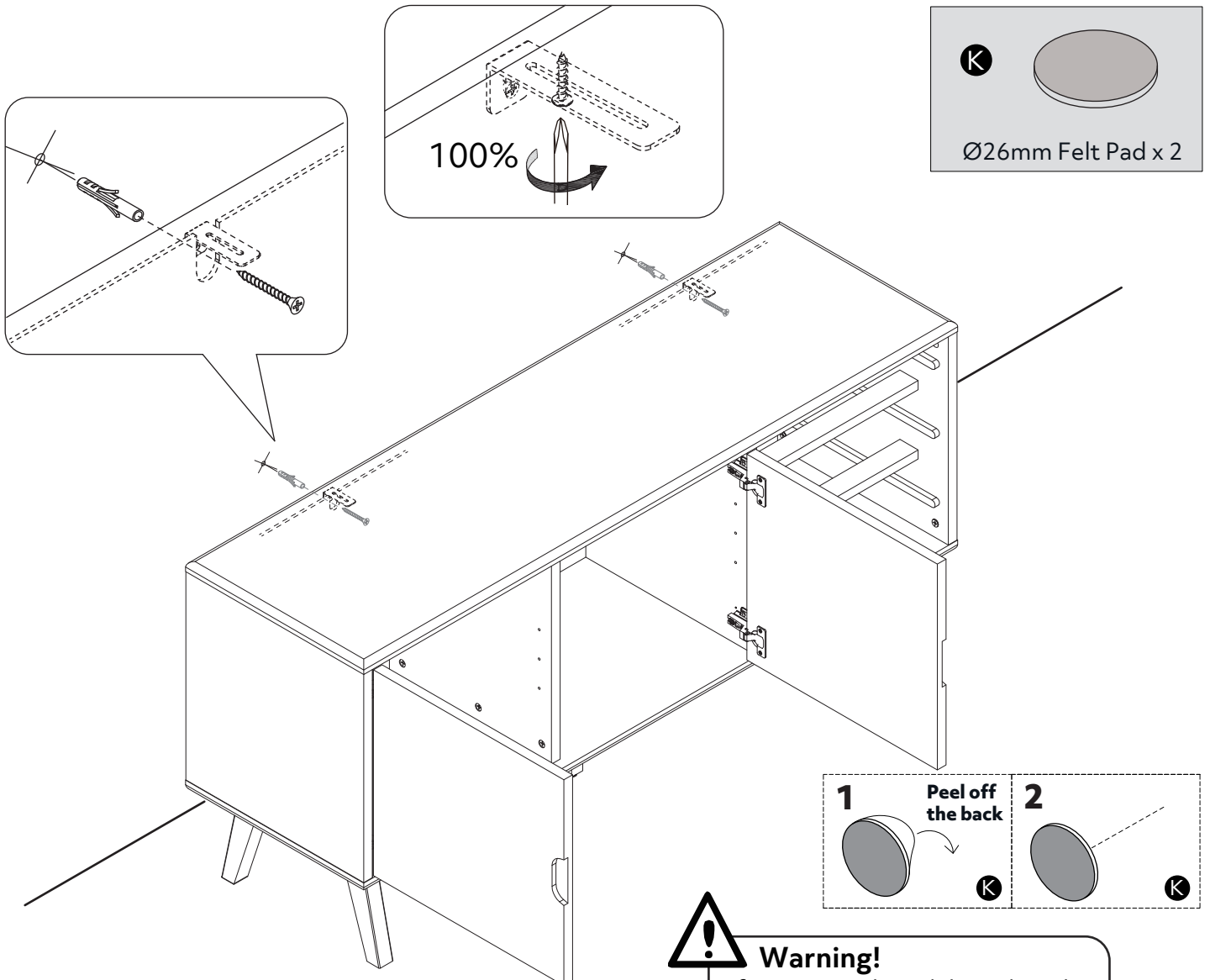
WARNING!

In order to prevent overturning this product must be used with the wall attachment device provided. Serious or fatal crushing injuries can occur from furniture tipping over. To help prevent topple over :-

- Use the wall attachment devices provided
- Never allow children to climb or hang on drawers
- Do not overload the drawer beyond maximum recommended loading.
- Place heaviest items in the lower drawers or shelves.
- Unless specifically designed to accommodate, do not set TV's or other heavy objects on top of this product
- Never open more than one drawer at a time

An attachment device is provided with your product, however you will need to source suitable fixings for your wall type. If in doubt consult a qualified trades person.

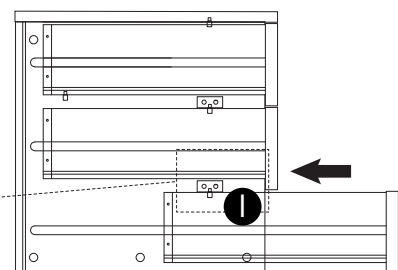
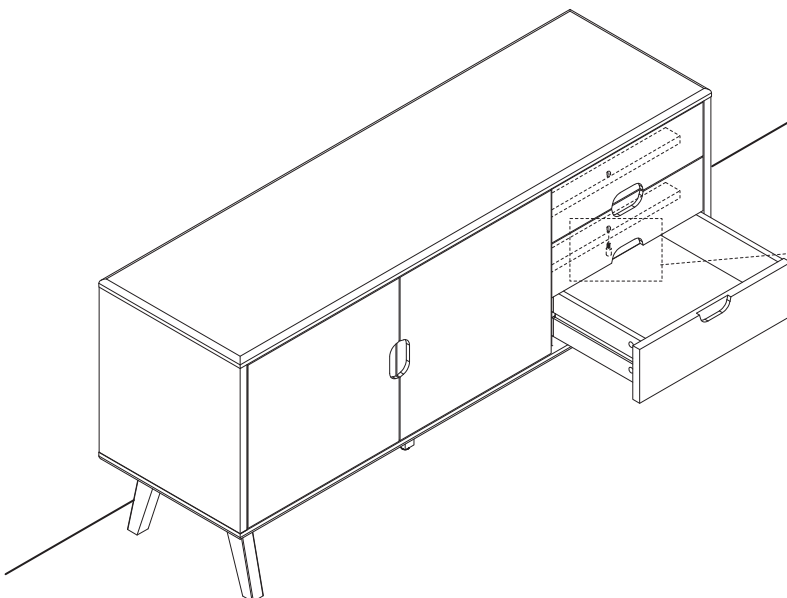
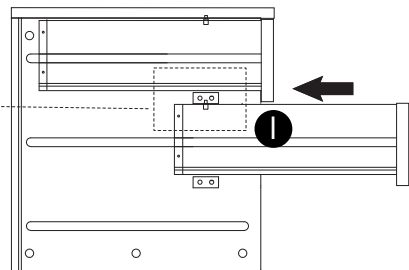
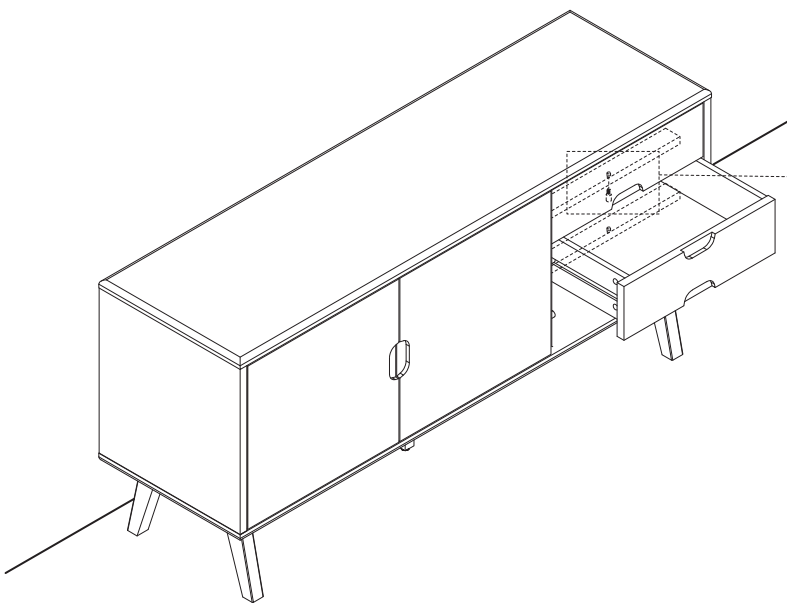
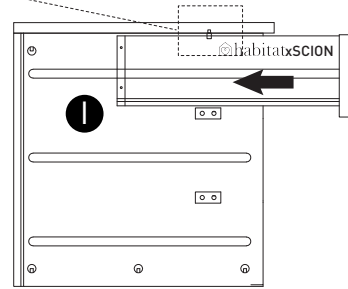
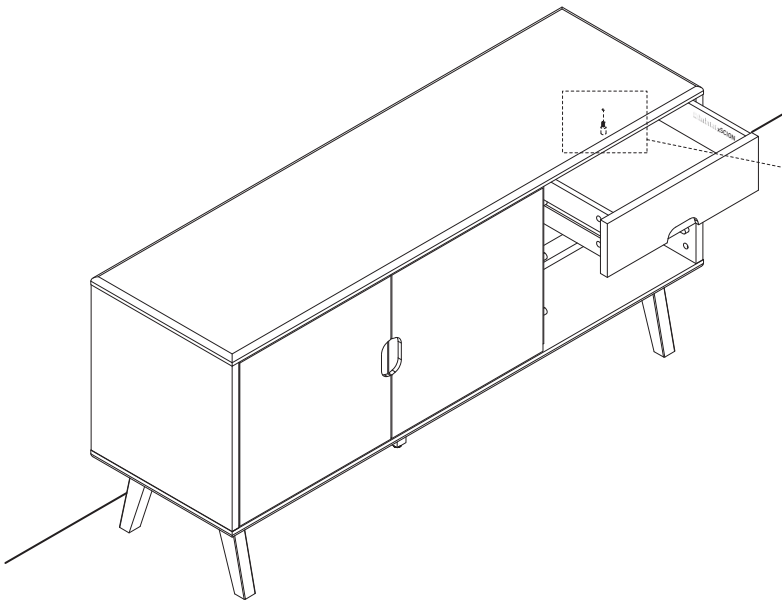
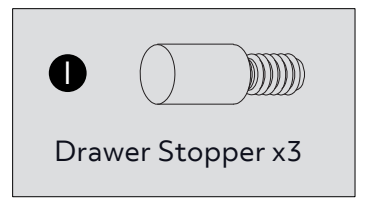
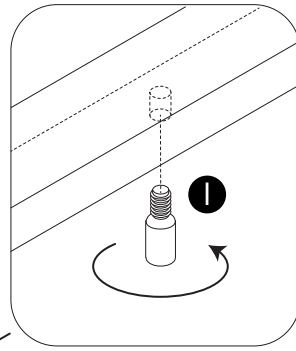
Always ensure that the wall to be drilled into is free from hidden electrical wires, water and gas pipes.



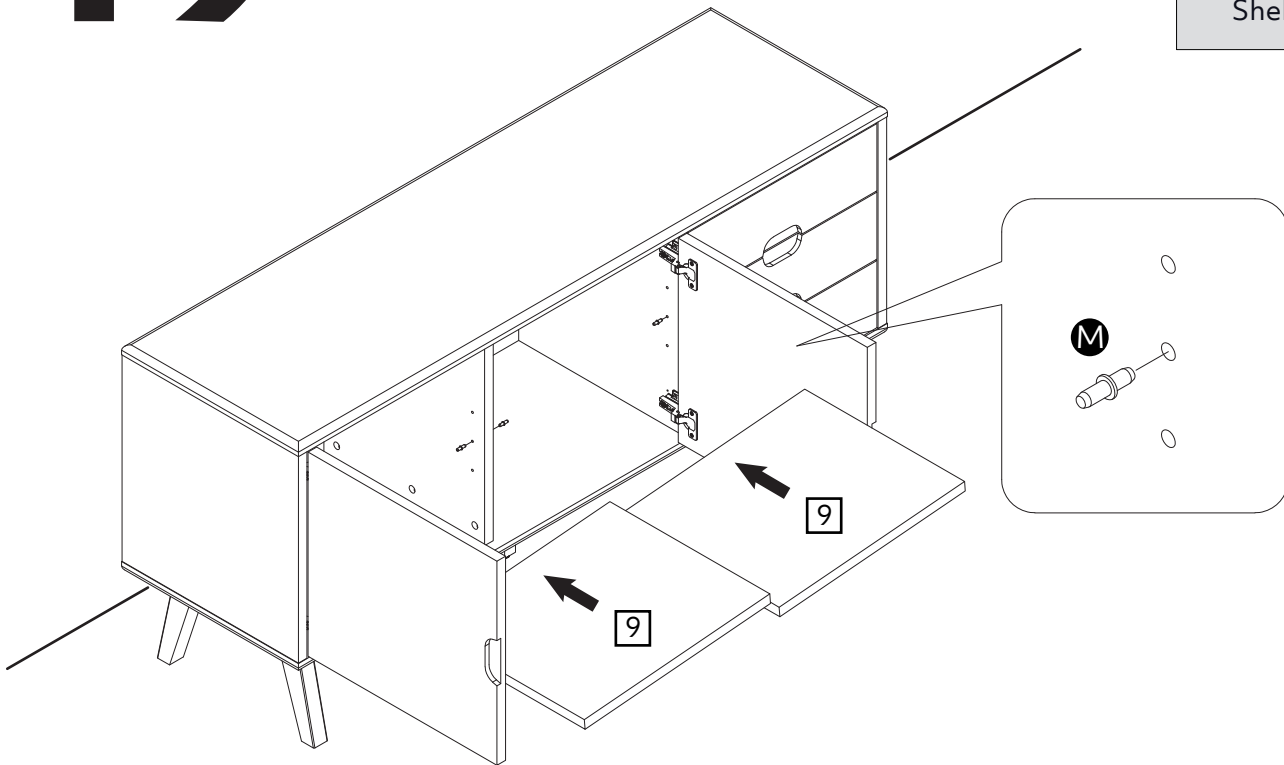
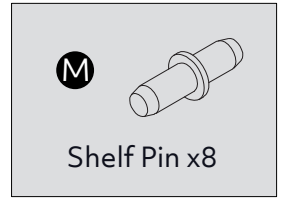
Warning!

If necessary the sideboard can be levelled up on uneven floors using the 2 extra felt pads supplied.

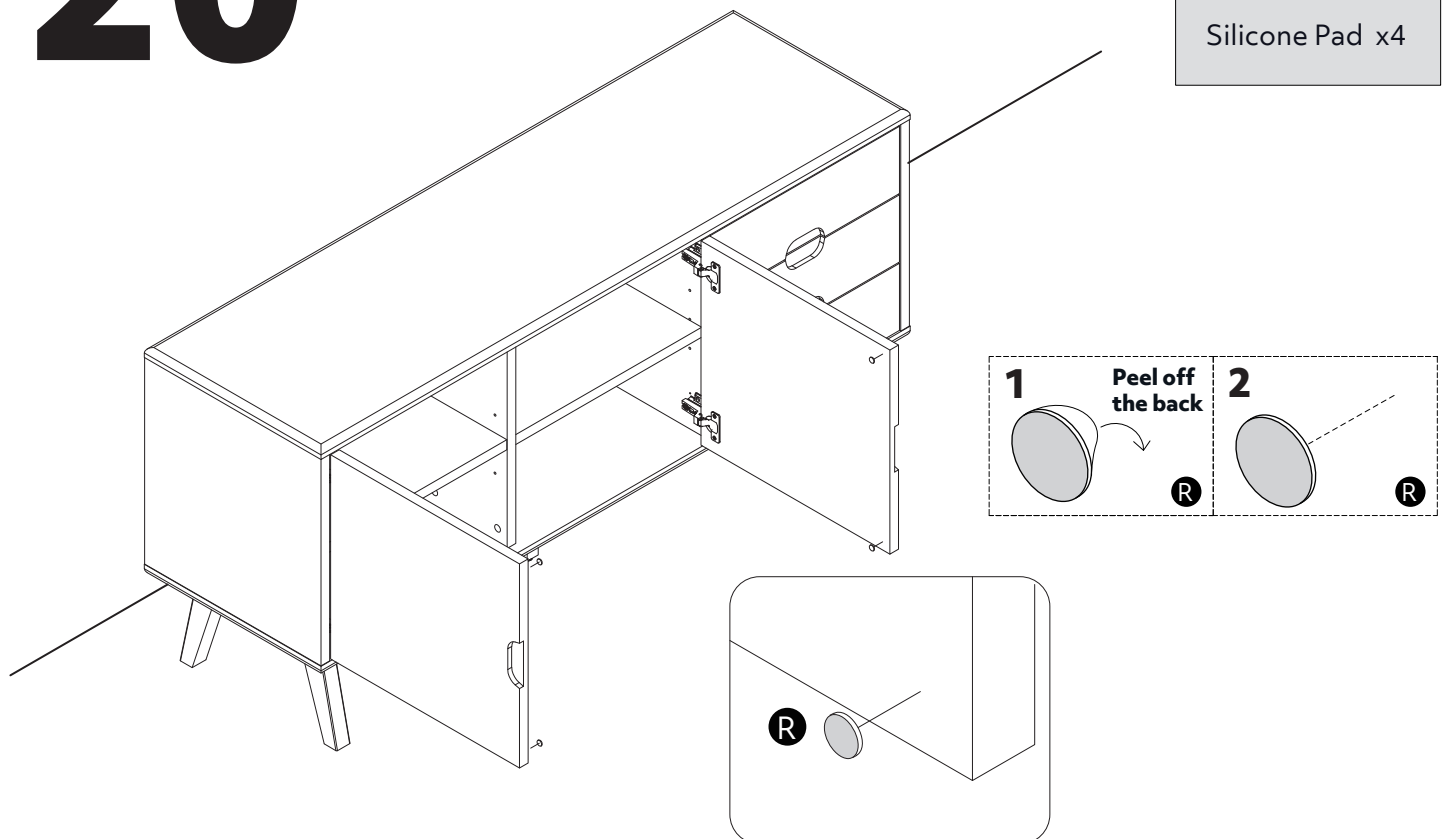
18



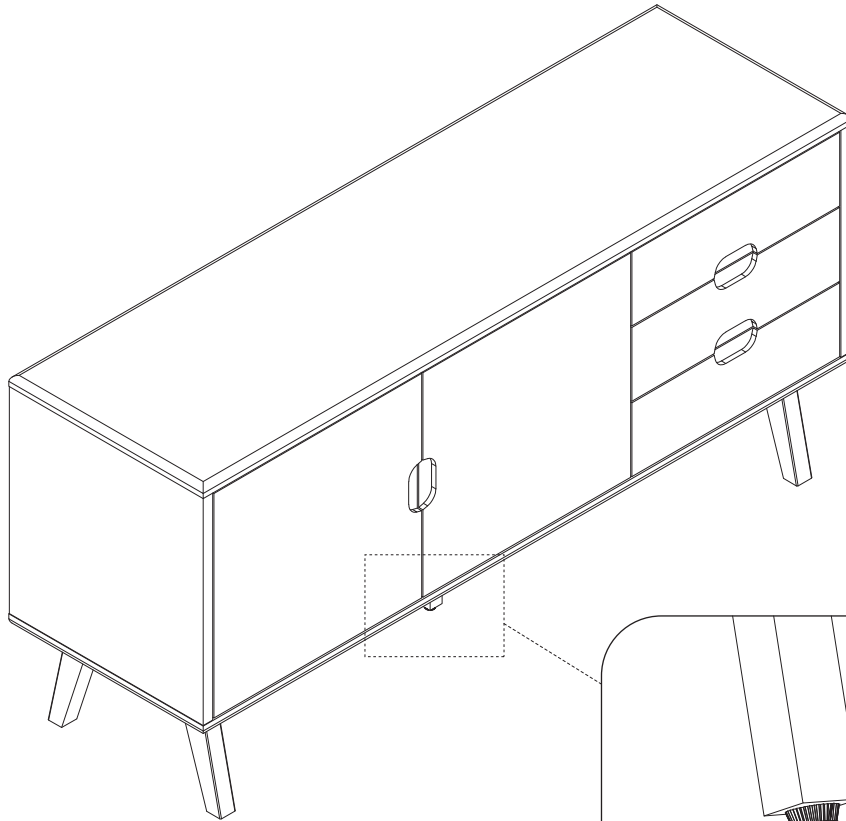
19



20



21



Warning!
Adjust the glides so that the bottom of the product is supported flat on the floor!

Assembly is complete.

A Guide to - Wall Mounting & Fixings

Important note:

Wall Fixings:



- because of the variety of different wall types, Habitat cannot provide you with the exact fixings you will need to fix this product to the wall.


You must first identify the type of wall you intend to fix product onto and then contact your local hardware store to get the appropriate fixings.



Important: When drilling into walls always check that there are no hidden wires or pipes etc.

Make sure that the screws and wall plugs being used are suitable for supporting your unit. Consult a qualified tradesperson if you are unsure.

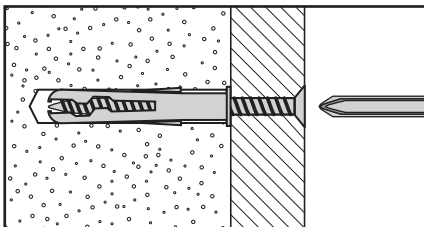
Hints:

- 1: General rule:**  Always use a larger screw and wall plug if you are not sure.
- 2:** Ensure you use the recommended drill bit to match the wall plug and hole size.
- 3:** Ensure you drill the hole horizontally, do not force the drill or enlarge the hole.
- 4:** Take extra care when drilling high walls, ceilings and ceramic tiles. Ensure wall plugs are inserted beyond the thickness of the ceramic tiles to avoid the tiles splitting or cracking.
- 5:** Ensure wall plugs are well fitted and are a tight fit in the drilled hole.

Types of walls

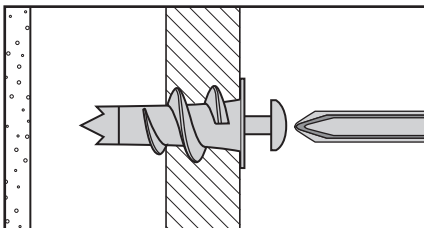
You can use one of the following types of wall plug if your walls are made of brick, breeze block, concrete, stone or wood.

No.1 "General Purpose" wall plug



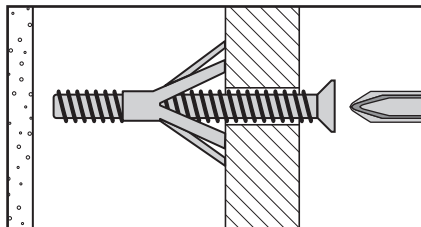
Generally aerated blocks should not be used to support heavy loads, use a specialist fitting in this case. For light loads, general purpose wall plugs can be used.

No.2 "Plasterboard" wall plug



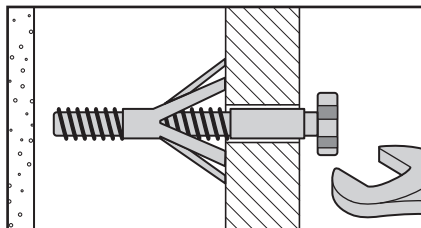
For use when attaching light loads on to plasterboard partitions.

No.3 "Cavity Fixing" wall plug



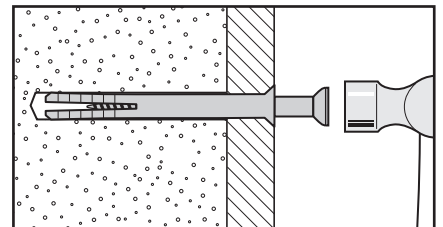
For use with plasterboard partitions or hollow wooden doors.

No.4 "Cavity Fixing-Heavy Duty" wall plug



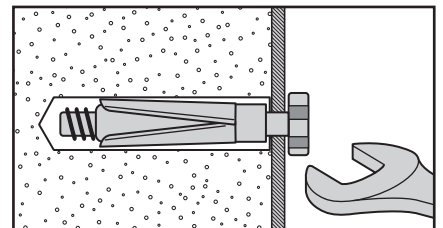
For use when fitting or supporting heavy loads such as shelving, wall cabinets and coat racks.

No.5 "Hammer Fixing" wall plug



For use with walls stuck with plasterboard. The hammer fixing allows it to be fixed to the wall rather than the plasterboard. Always check the fixing is secure to the retaining wall.

No.6 "Shield Anchor" wall plug Heavy loads



For use with heavier loads such as TV & HiFi speakers and satellite dishes etc.



Care & Maintenance

Safety: Always check the fitting and location to ensure your safety in and around the home.

Fitting: From time to time check the fitting to ensure the wall plugs or screws do not become loose.