

Sasha Coffee Table

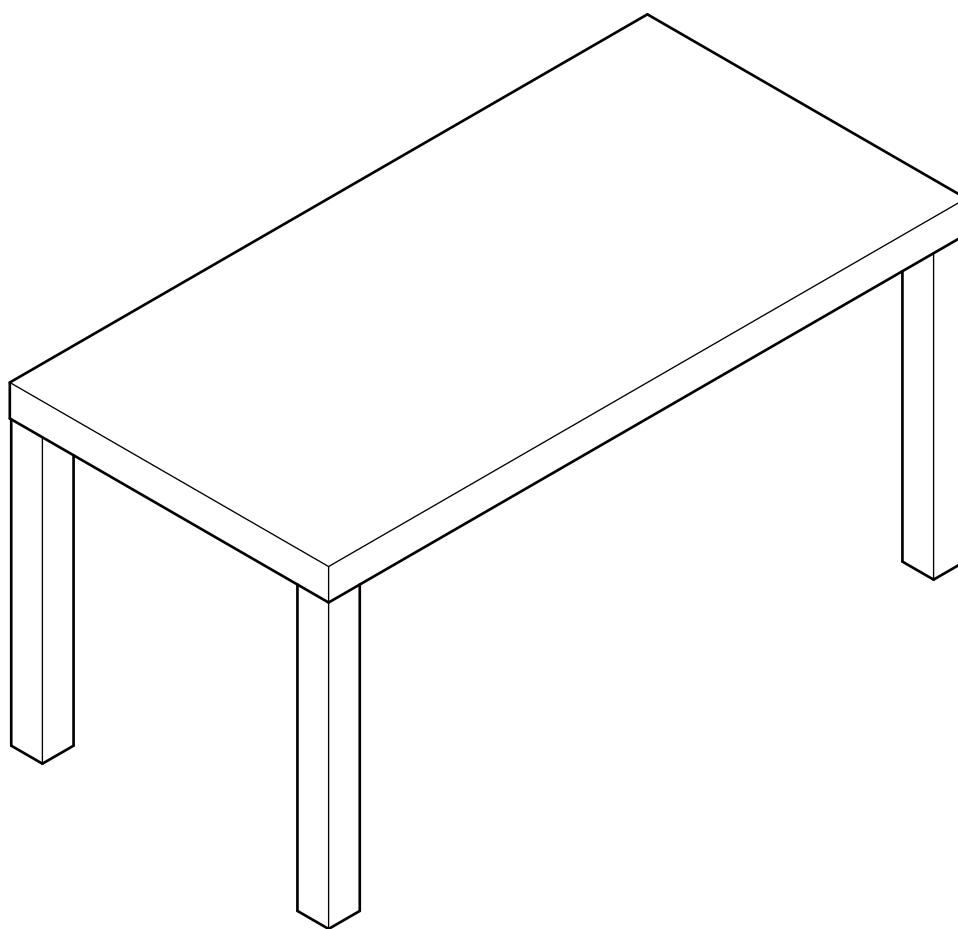
Assembly Instructions - Please keep for future reference

609/4883

609/5734

609/6290

404/2222



Dimensions

Width - 90cm

Depth - 45cm

Height - 44.5cm

Important - Please read these instructions fully before starting assembly

If you need help or have damaged or missing parts, call the **Customer Helpline:**
Argos = 0345 6400800



Safety and Care Advice

Important – Please read these instructions fully before starting assembly

- Check you have all the components and tools listed on the following pages.
- Remove all fittings from the plastic bags and separate them into their groups.
- Keep children and animals away from the work area, small parts could choke if swallowed.
- Make sure you have enough space to layout the parts before starting.

- During assembly do not stand or put weight on the product, this could cause damage.
- Assemble the item as close to its final position (in the same room) as possible.
- Assemble on a soft level surface to avoid damaging the unit or your floor.
- Parts of the assembly will be easier with 2 people.



power drill is set on a low torque setting.

- To reduce the likelihood of damaging your product please ensure that your

Care and maintenance

• Only clean using a damp cloth and mild detergent, do not use bleach or abrasive cleaners.

• From time to time check that there are no loose screws on this unit.

• This product should not be discarded with household waste. Take to your local authority waste disposal centre.

Handy Hints

• Assemble all parts and bolts loosely during assembly, only once the product is complete should you fully tighten the bolts

• Regularly check and ensure that all bolts and fittings are tightened properly.

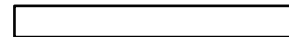
Components - Panels

If you have damaged or missing components, call the
Customer Helpline: Argos = 0345 6400800

Please check you have all the panels listed below



1 Table top (90 x 45cm)



2 Leg x 4 (40 x 4.5cm)

Components - Fittings

Please check you have all the fittings listed below

Note: The quantities below are the correct amount to complete the assembly. in some cases more fittings may be supplied than are required.

A 		
--	--	--

72mm Screw x 4

Ruler - Use this ruler to help correctly identify the screws



Assembly Instructions

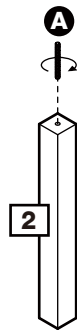
Step 1

Attaching legs

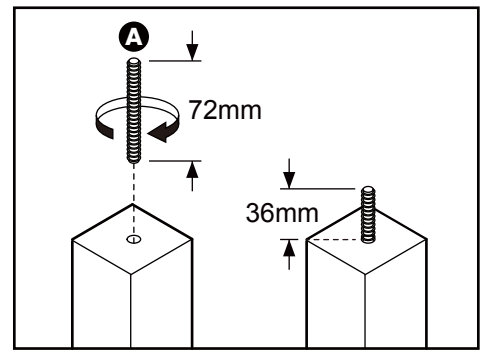
a: Fasten Screw **A** into the Leg **2** up to half length(36mm).

Note: Please ensure screws are tightly secured.

a:

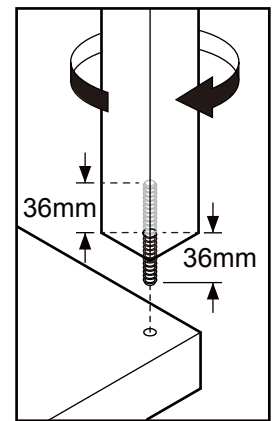
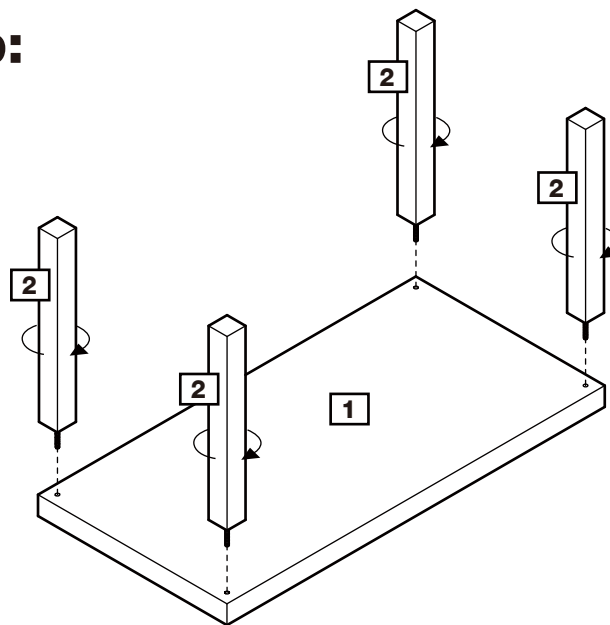


X 4



b: Fix the Legs **2** onto the Table top **1**.

b:

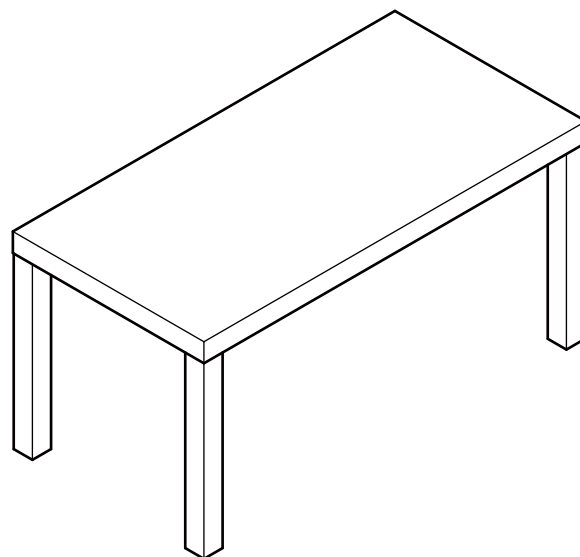


Step 2

Finishing the unit

With help, place the unit in the intended position.

Assembly is complete.



If you need help or have damaged or missing parts, call the **Customer Helpline:**
Argos = 0345 6400800