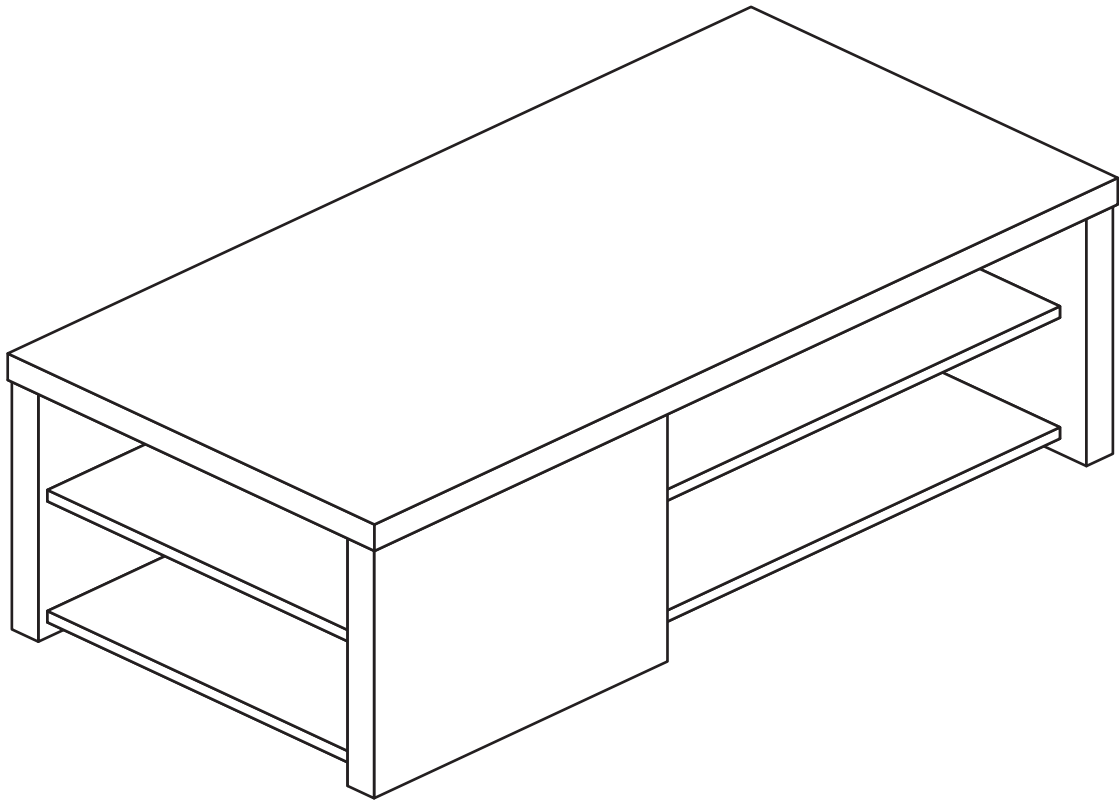


# Venice

# HOME

403/7017 419/2835 449/2944



## Spare Parts

**Visit:** [www.argos-support.co.uk](http://www.argos-support.co.uk)

**Email:** [Help@ClickSpares.co.uk](mailto:Help@ClickSpares.co.uk)

**Call:** 0330 016 1114

## Customer Support

**Call:** 0345 640 2020

# Safety

Important - Please read these instructions fully before starting assembly

- Warning: This unit weighs approximately 18kgs. Please lift with care.
- Assembly to be carried out by a competent adult only.
- During assembly children should be kept away from the product due to possible risk of injury.
- Installation shall only be carried out exactly according to the manufacturer's instructions - otherwise a safety risk can occur if incorrectly installed.
- Do not use this item if any components are missing or damaged.
- Regularly check all fastenings to ensure they are properly tightened.

- **WARNING:** To prevent possible overbalancing this unit must be secured to a wall.
- A unit that is allowed to topple can cause serious or fatal injury. In addition to wall fixing the unit, place heavy items on the lower shelves, do not put any heavy objects on top of the unit and never allow children to climb or hang on drawers, doors or shelves.

## Care Advice

- Check you have all the components and tools listed on relevant pages.
- Remove all fittings from the specified plastic bag and separate them into their groups.
- Parts of the assembly will be easier with 2 people.
- Make sure you have enough space to layout the parts before starting.
- Do not stand or put weight on the product, this could cause damage.

- Assemble the item as close to its final position (in the same room) as possible.
- Assemble on a soft level surface to avoid damaging the unit or your floor (use opened out unit carton).

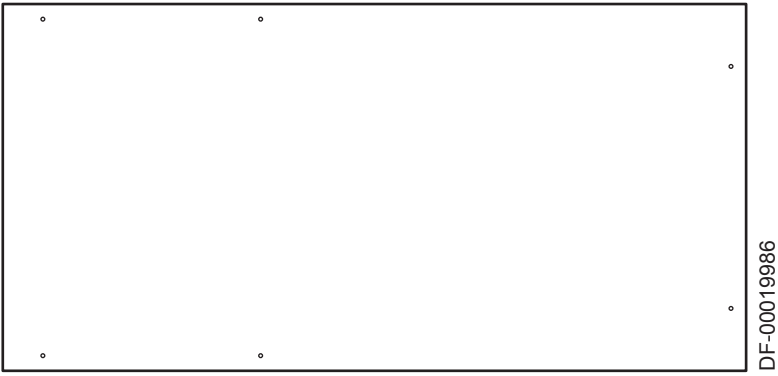


- Assembly videos are available throughout these instructions by scanning in the QR codes.

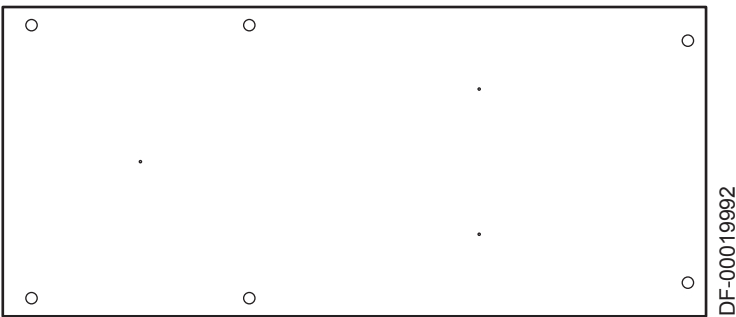


- We do not recommend the use of power drill/drivers for inserting screws, as this could damage the unit. Only use hand screwdrivers.
- Dispose of all packaging carefully and responsibly.
- Only clean with a damp cloth.

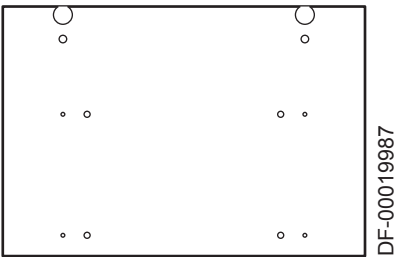
# Cabinet Panels



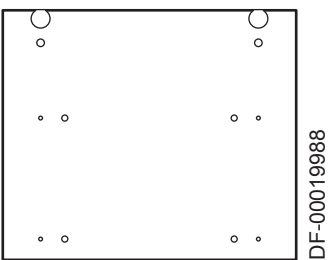
**1** 98.3 x 48.5cm



**2** 93 x 40.9cm X 2



**3** 33 x 47.9cm

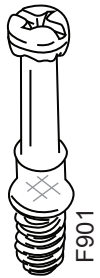


**4** 33 x 48.8cm X 2

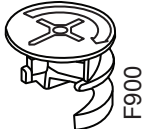
# Fittings

Use these drawings to correctly identify the fittings

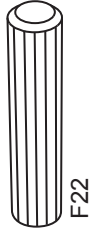
## Bag 1



**A** x 12



**B** x 12



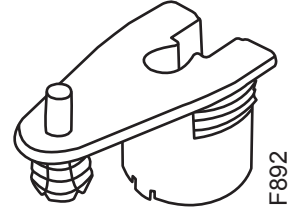
**C** x 12



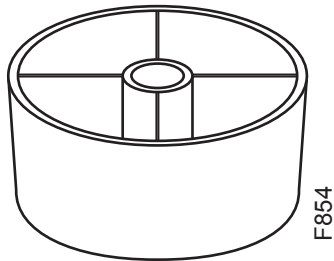
**D** x 3



**E** x 6

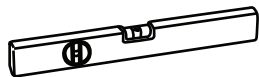
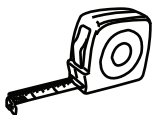


**F** x 6

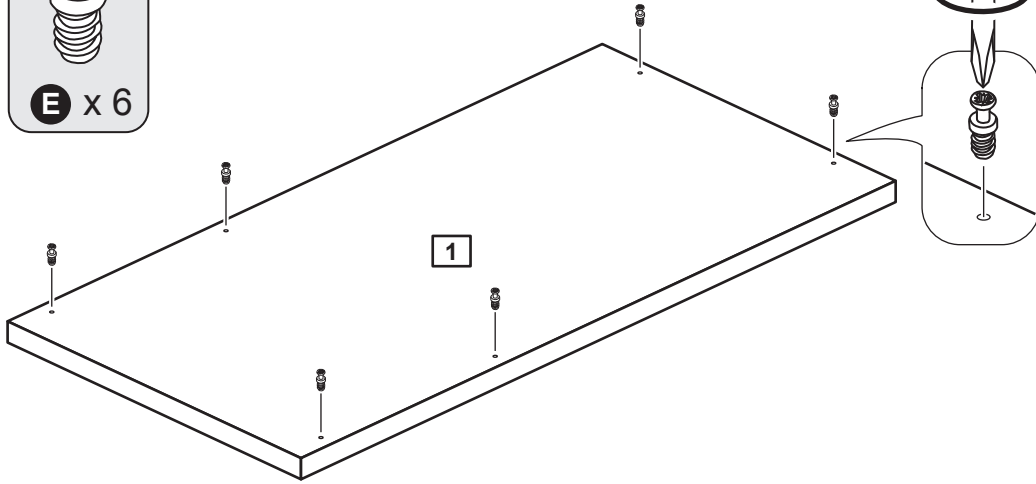
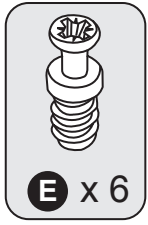


**G** x 3

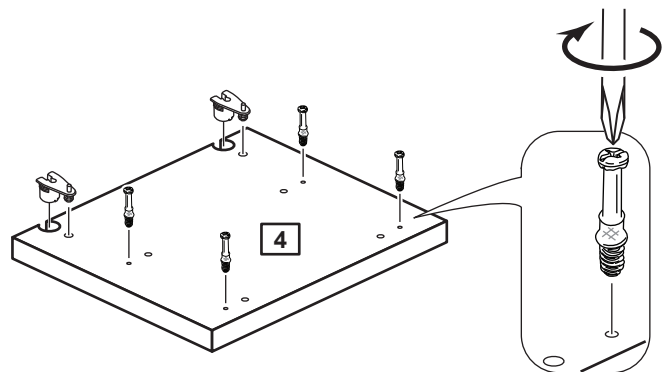
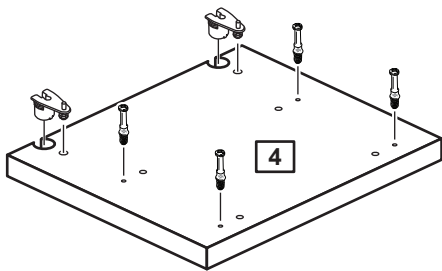
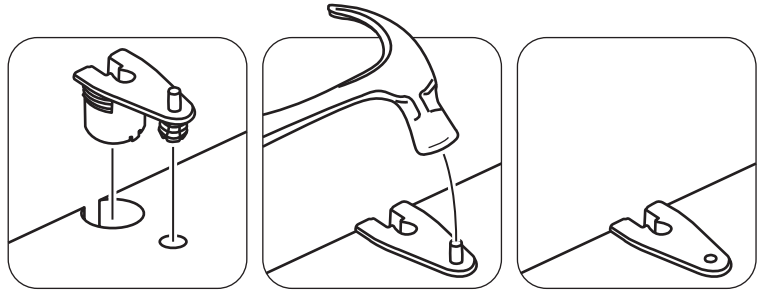
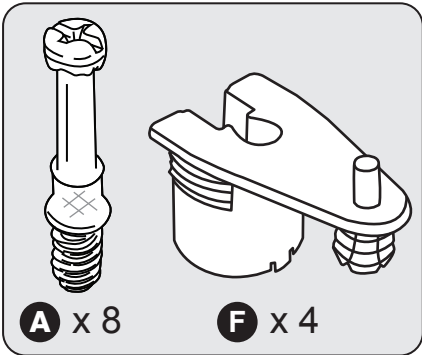
## Tools



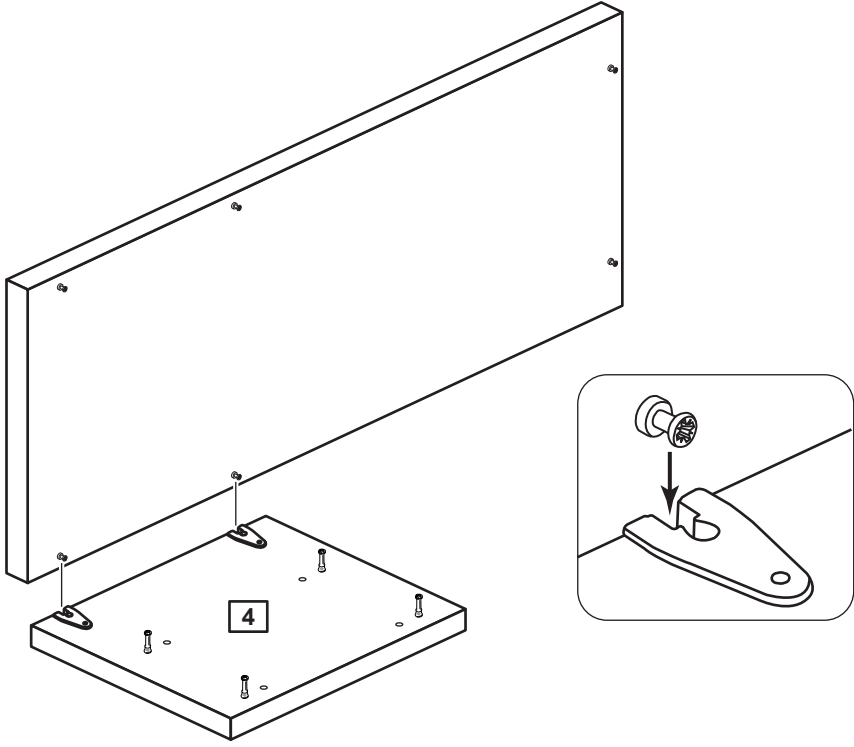
# 1



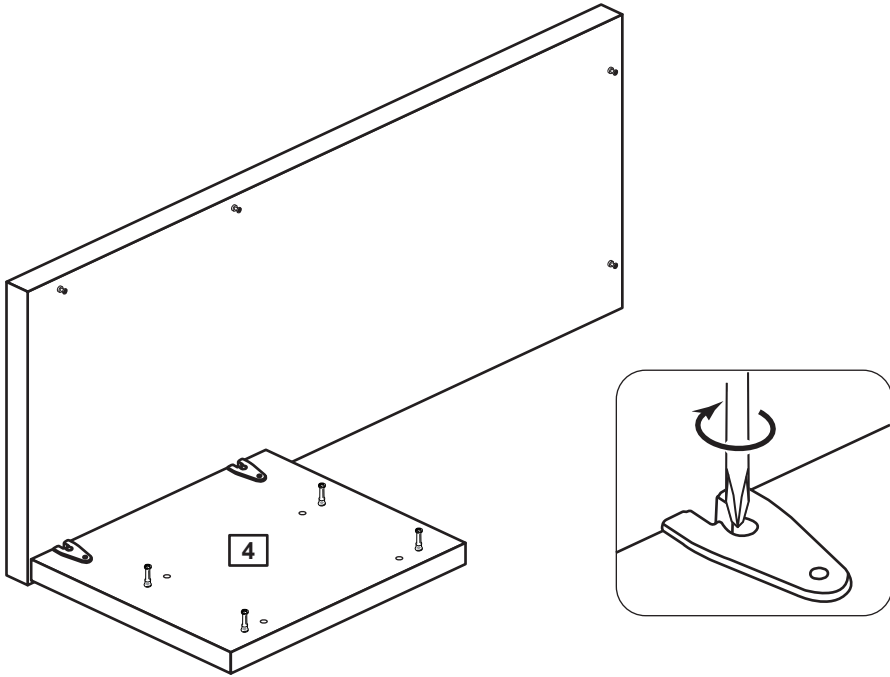
# 2



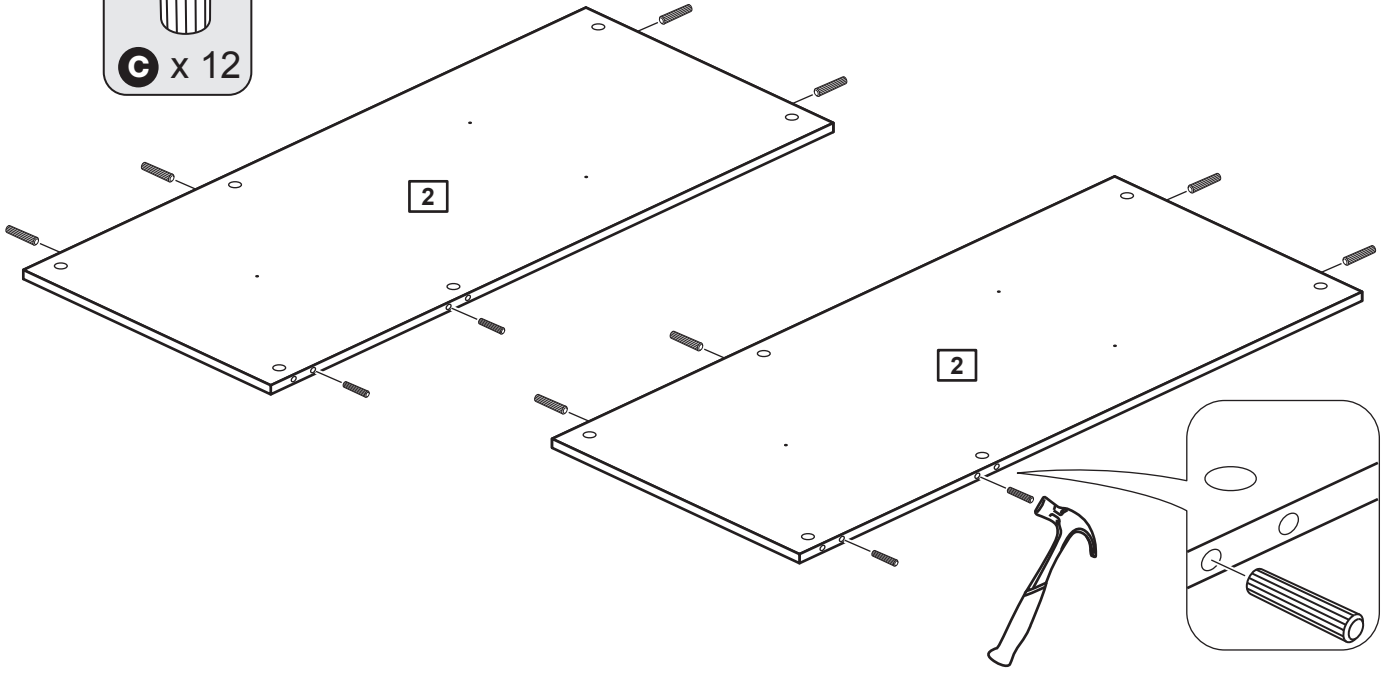
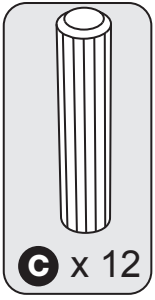
3



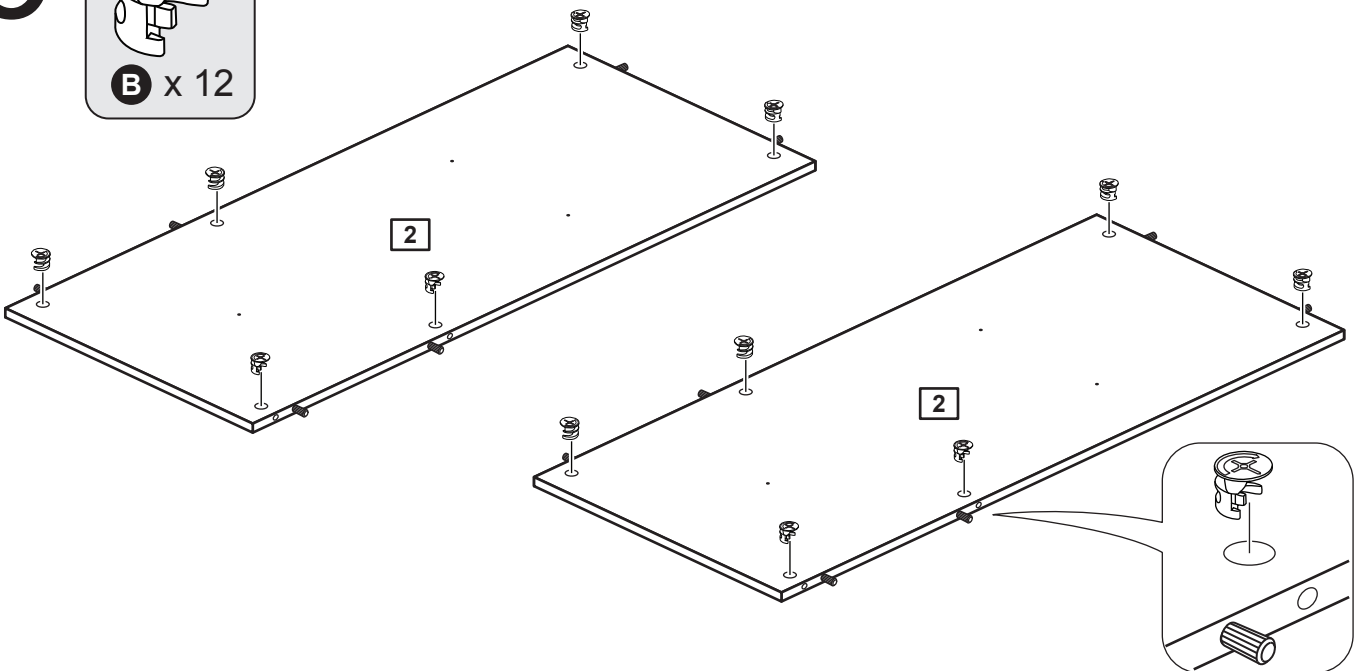
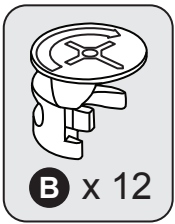
4



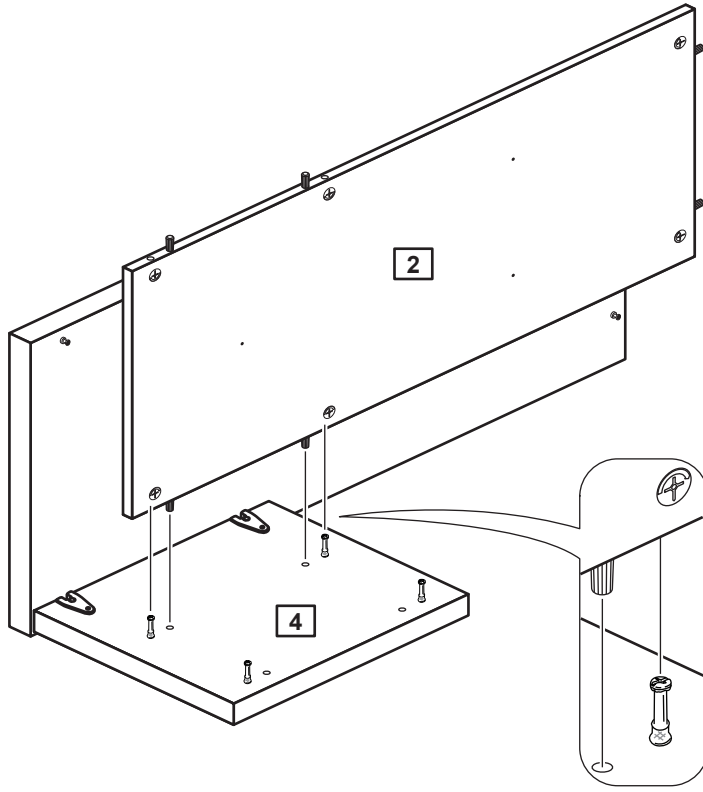
# 5



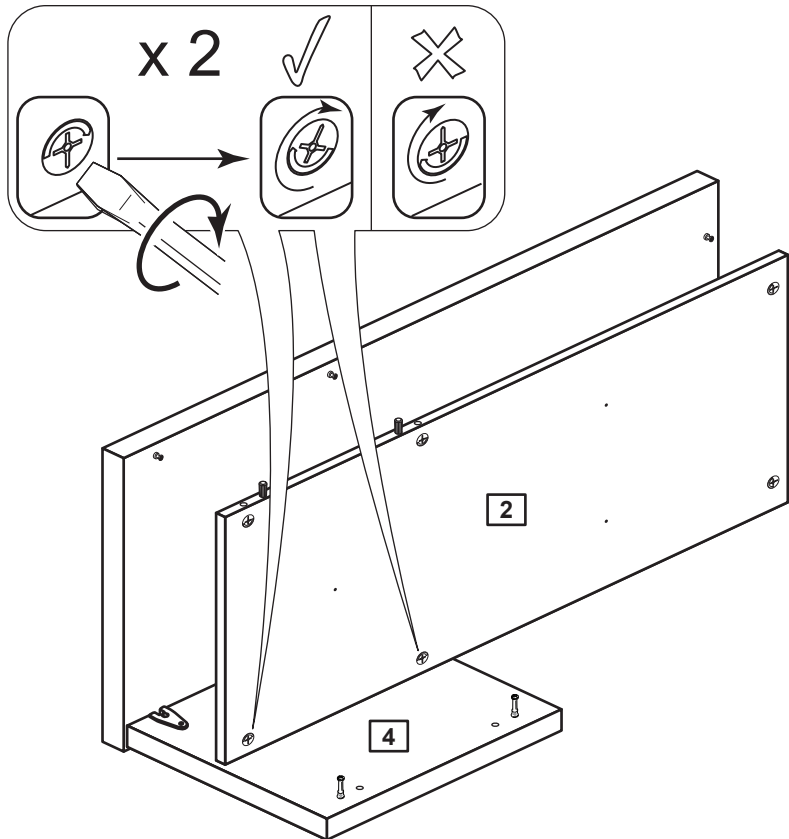
# 6



# 7

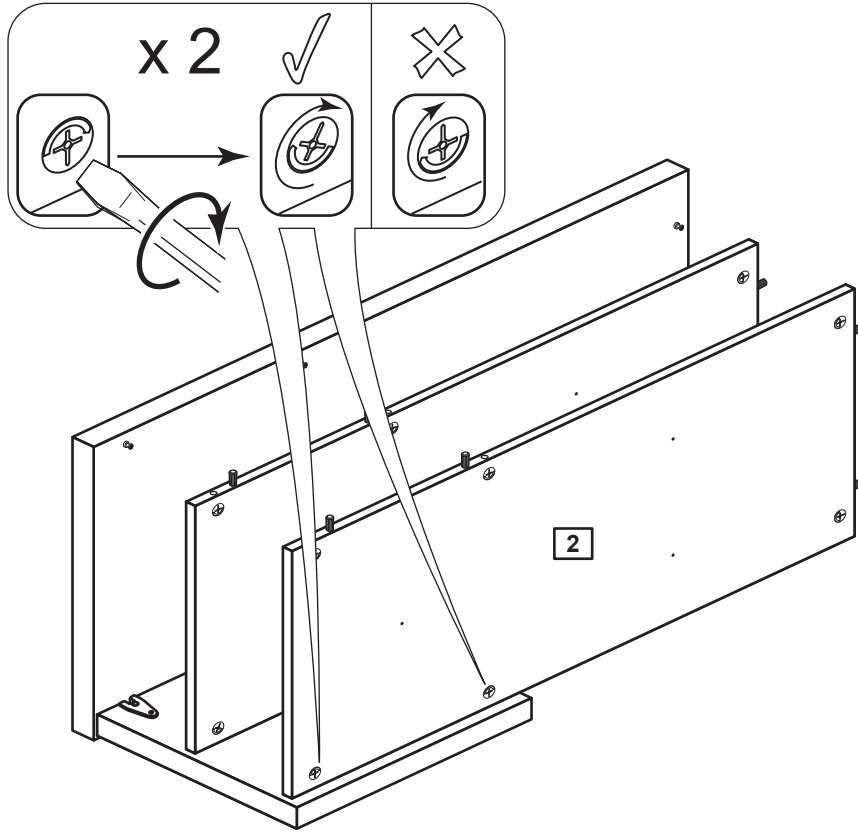


# 8

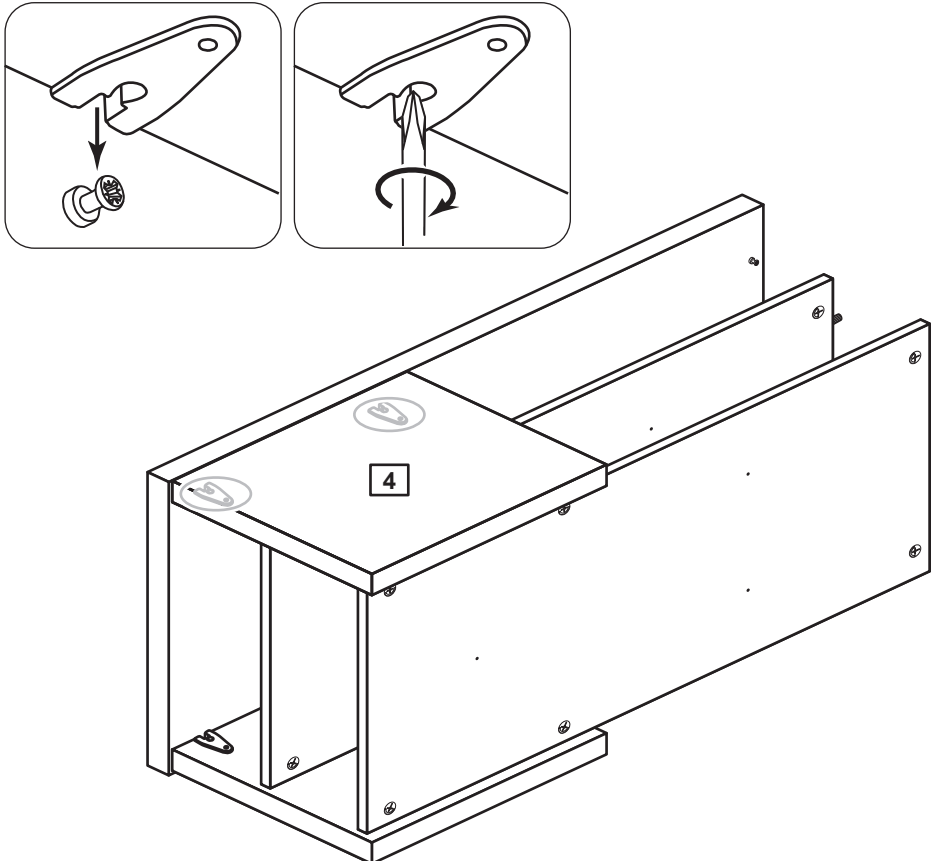




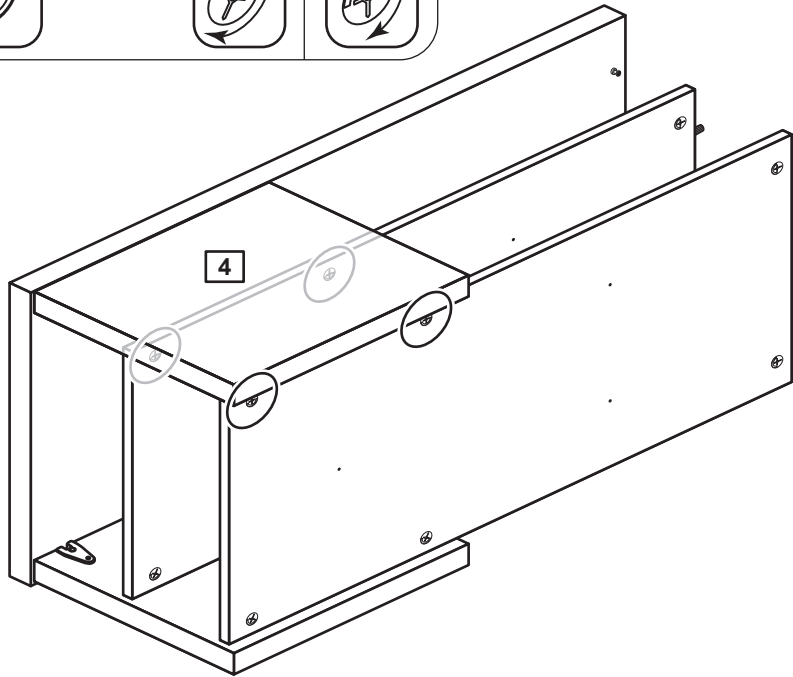
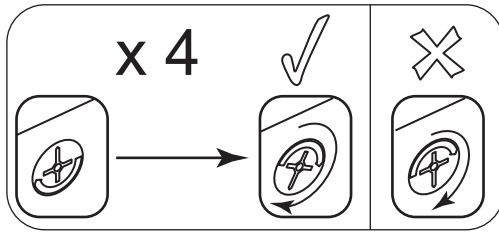
# 9



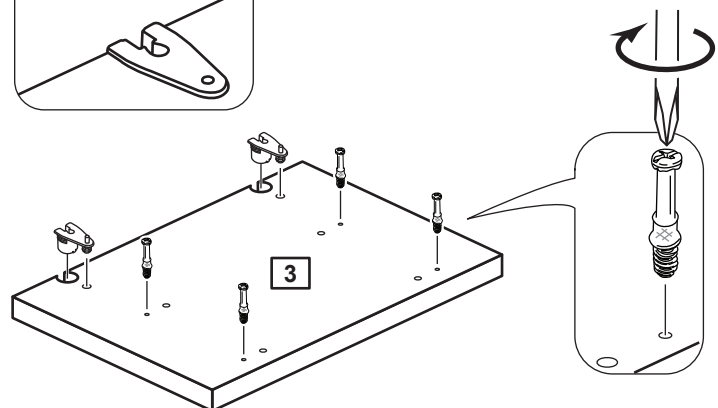
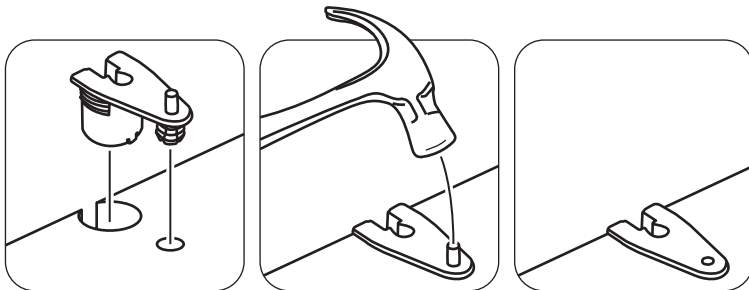
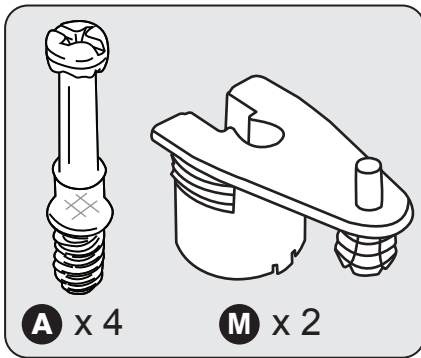
# 10



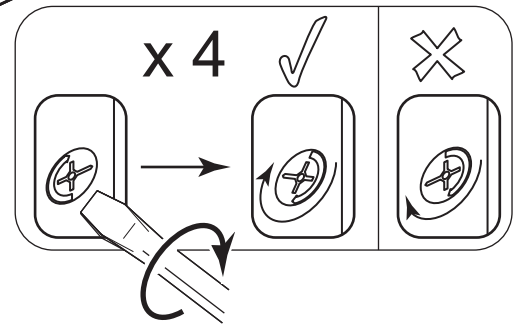
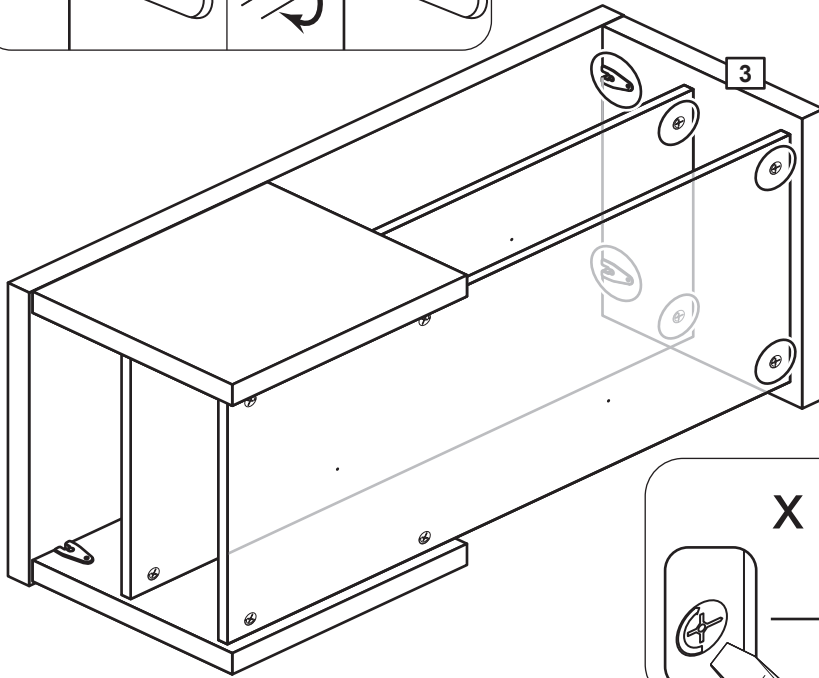
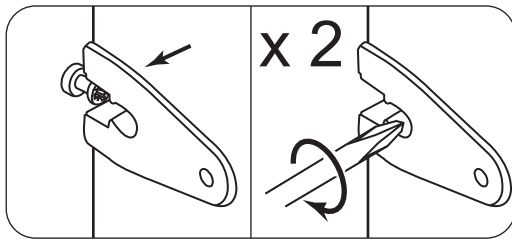
# 11



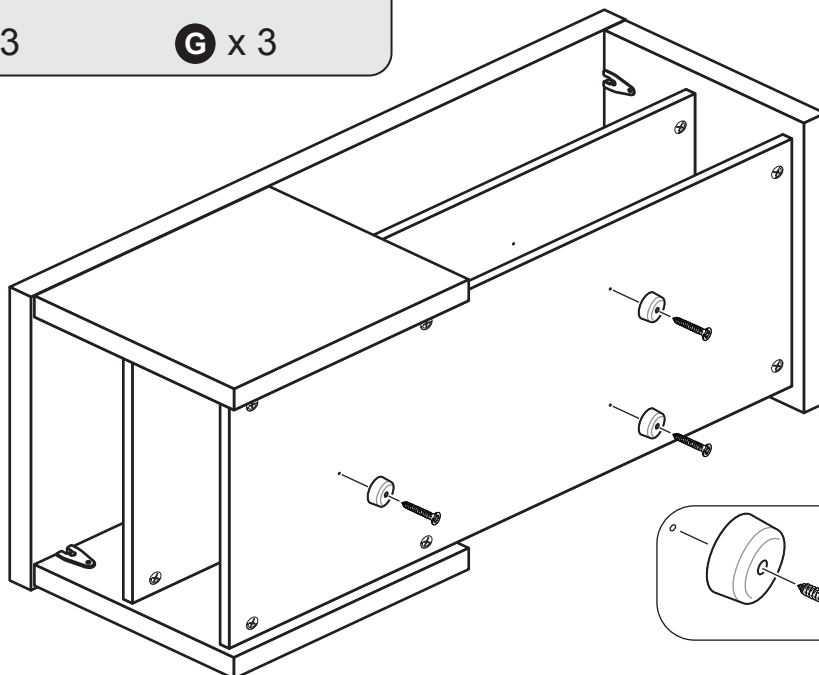
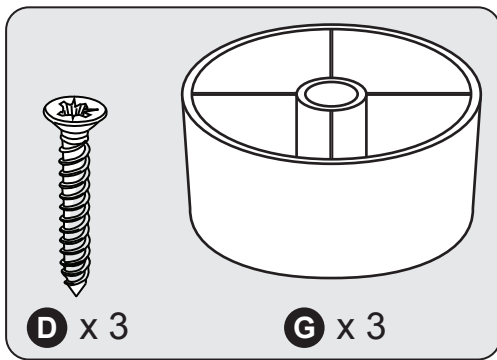
# 12



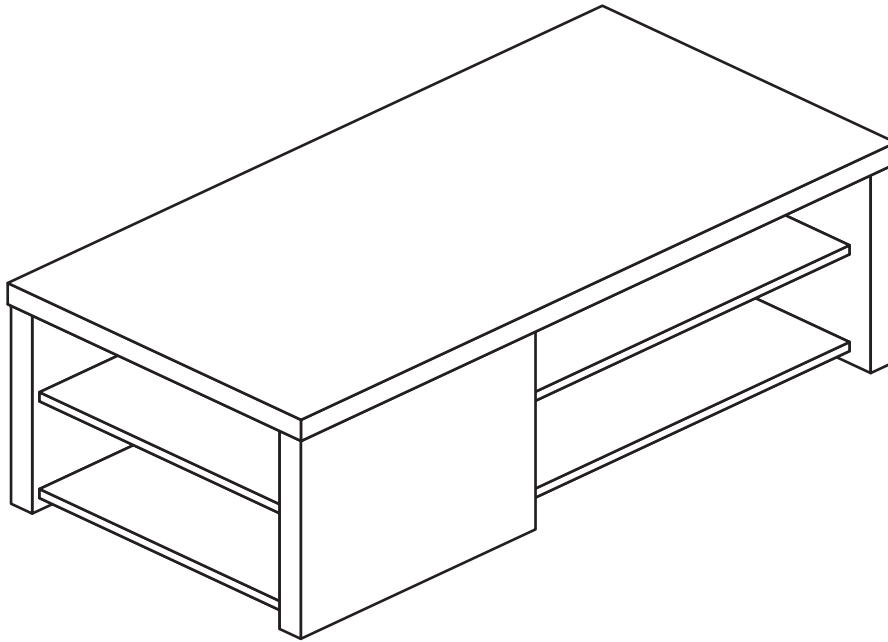
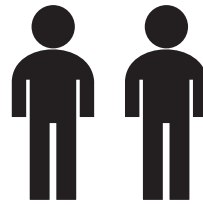
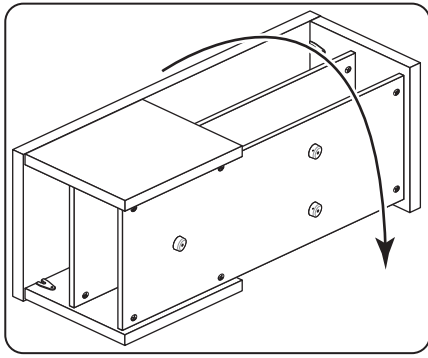
# 13



# 14



# 15



## **Assembly is complete**

Please remove any blue protective film from panel edges and clear protective film from panel surfaces