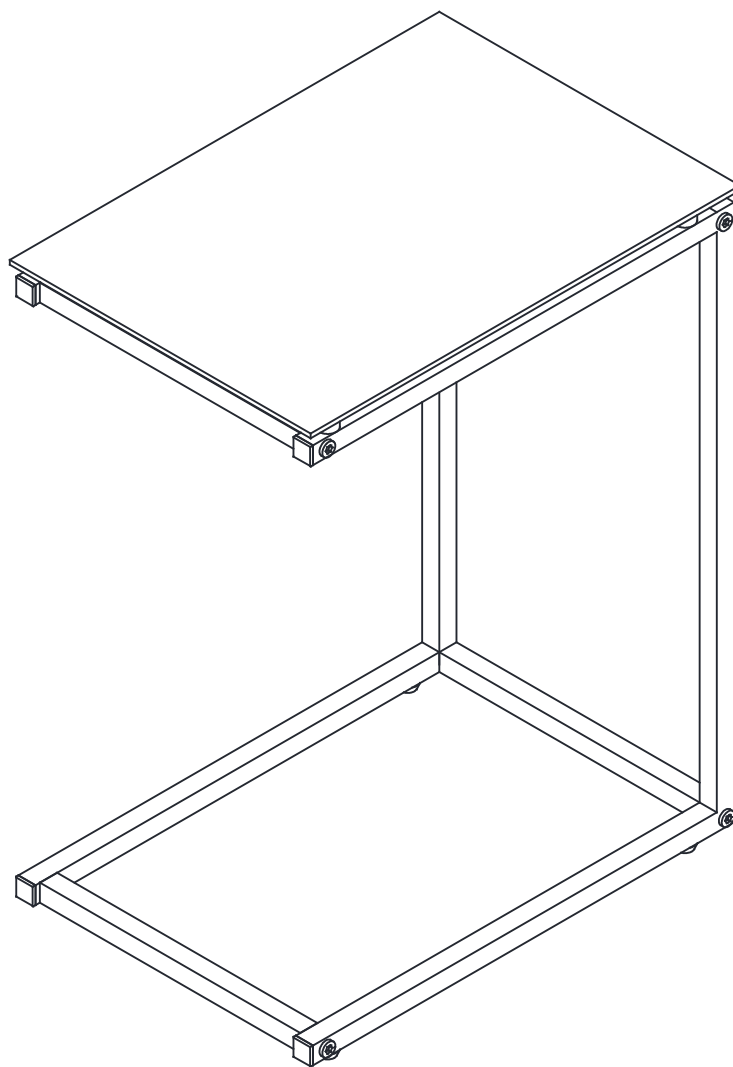


Glass Laptop Table

Assembly Instructions - Please keep for future reference

402/9616



Dimensions

Width - 50cm

Depth - 35cm

Height - 65cm

Important - Please read these instruction fully before starting assembly

If you need help or have damaged or missing parts, call the Customer Helpline: 0345 6400800



Safety and Care Advice

Important – Please read these instructions fully before starting assembly

- Check you have all the components and tools listed on the following pages.
- Remove all fittings from the plastic bags and separate them into their groups.
- Keep children and animals away from the work area, small parts could choke if swallowed.
- Make sure you have enough space to layout the parts before starting.

- During assembly do not stand or put weight on the product, this could cause damage.
- Assemble the item as close to its final position (in the same room) as possible.
- Assemble on a soft level surface to avoid damaging the unit or your floor.
- Parts of the assembly will be easier with 2 people.



power drill is set on a low torque setting.

- To reduce the likelihood of damaging your product please ensure that your

Care and maintenance

- Only clean using a damp cloth and mild detergent, do not use bleach or abrasive cleaners.
- From time to time check that there are no loose screws on this unit.
- This product should not be discarded with household waste. Take to your local authority waste disposal centre.

Handy Hints

- Assemble all parts and bolts loosely during assembly, only once the product is complete should you fully tighten the bolts
- Regularly check and ensure that all bolts and fittings are tightend properly.

Glass safety

- Keep these instruction for future reference.
- Imported by:
Argos Ltd.
489-499 Avebury Boulevard.
Saxon Gate West.
Central Milton Keynes.
MK9 2NW
- If the glass is chipped or broken, stop using the product and consult the Manufacturer or Supplier.
- Batch No:
- Date of Manufacture:
- Type of glass used: 5mm toughened glass.

Warnings

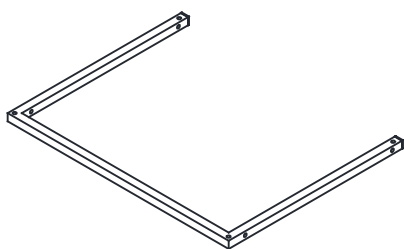
- (a) Do not place very hot or very cold items on the glass surface(s) unless adequately thick table mats are used to prevent such items from coming into contact with the glass.
- (b) Do not sit or stand upon the glass surface(s).
- (c) Do not use the glass as a chopping surface. Do not strike the glass with hard or pointed items.
- (d) When cleaning glass panels use a damp cloth or leather with washing up liquid or soft soap if necessary, do not use washing powders or any other substance containing abrasives since these substances scratch glass.

Note: if required the next page can be cut out and used as reference throughout the assembly. Keep this page with these instructions for future reference.

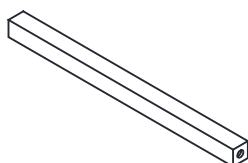
Components - Panels

If you have damaged or missing components, call the
Customer Helpline: 0345 6400800

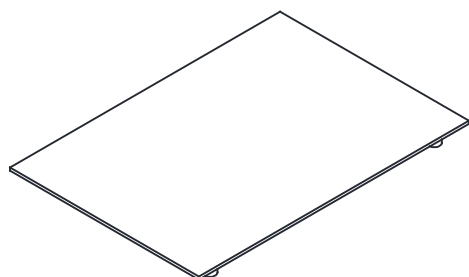
Please check you have all the panels listed below



1 Sides x 2 (62.3 x 48cm)



2 Metal rod x 4 (20mm x 30cm)






3 Glass top x 1 (50 x 35cm)



Components - Fittings

Please check you have all the fittings listed below

Note: The quantities below are the correct amount to complete the assembly. In some cases more fittings may be supplied than are required.

A  15mm Feet x 4	B  45mm Screw x 8	C  25mm Screw x 4
-------------------------------------------------------------------------------------------------------------	--------------------------------------------------------------------------------------------------------------	----------------------------------------------------------------------------------------------------------------

Tools required



Allen Key
(included)

Ruler - Use this ruler to help correctly identify the screws

0 5 10 15 20 25 30 35 40 45 50 55 60 65 70 75 80 85 90 95 100 105 110 115 120 125 130 135 140 145 150 155 160 165 170



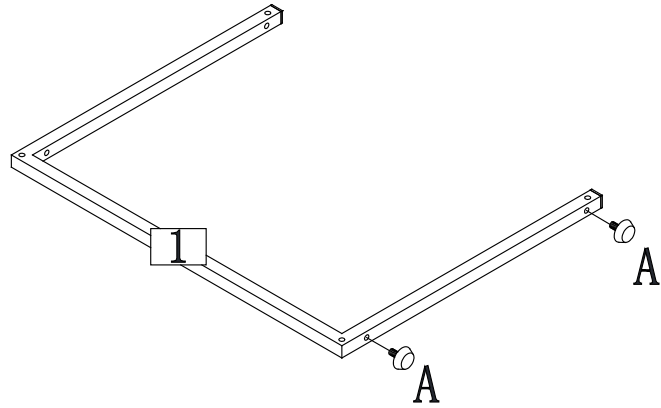
The screws length is measured from the head to the point (30mm screw shown).

Assembly Instructions

Step 1

Attaching feet

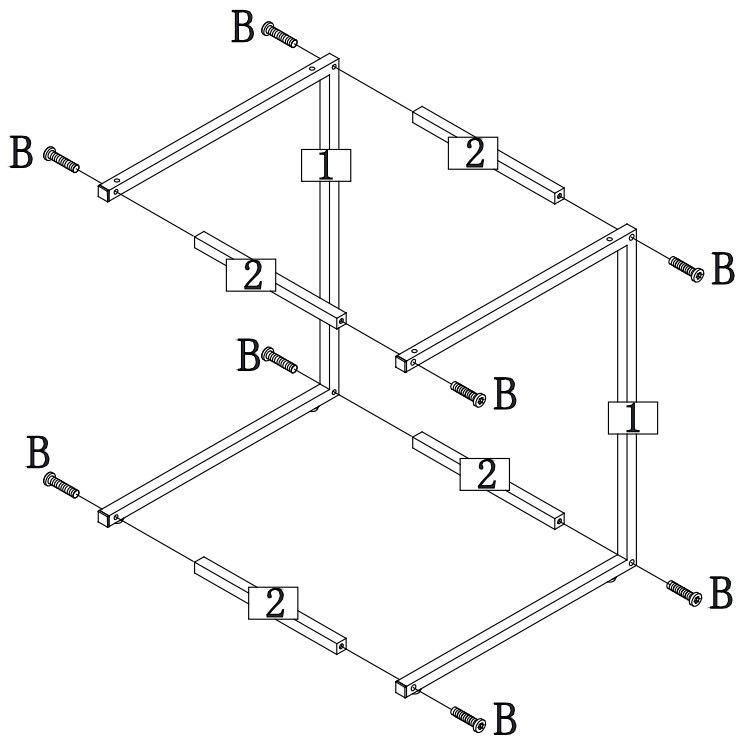
Fix two feet **A** to sides **1**



Step 2

Attaching metal rods

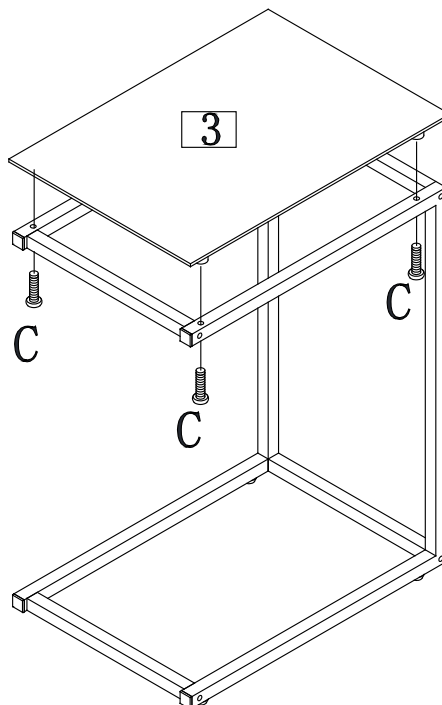
Fix four metal rods **2** to sides **1** by using screws **B** as shown



Step 3

Attaching glass top

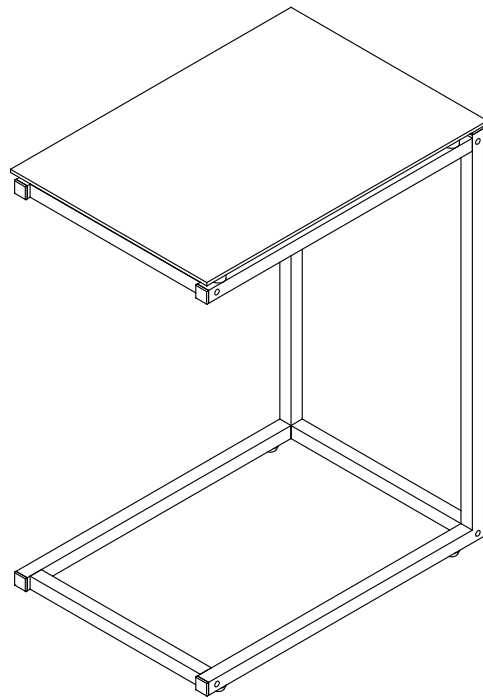
Attaching glass top **3** by using screws **C** as shown



Assembly Instructions

Step 4

Assembly is complete.



If you need help or have damaged or missing parts, call the Customer Helpline: 0345 6400800