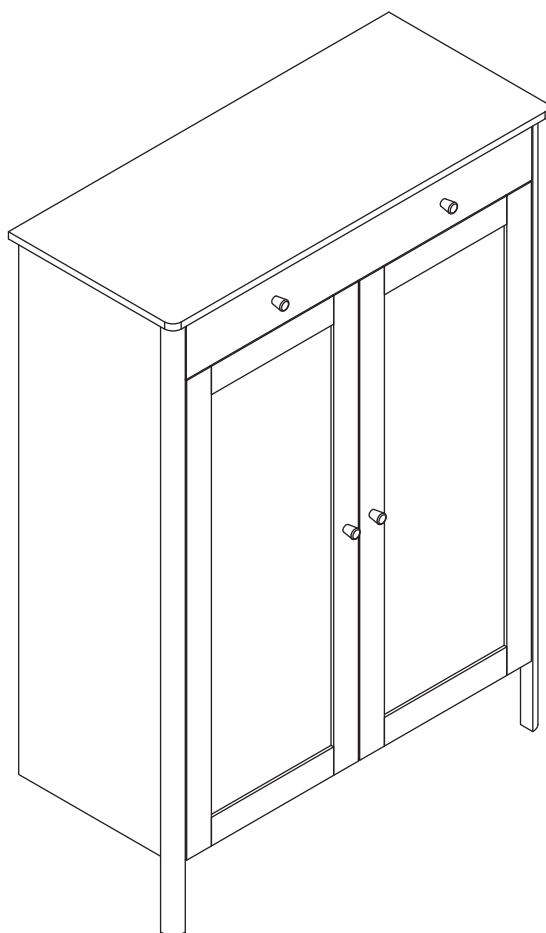


CASSIDY habitat

SHOE CABINET



Spare Parts

 www.argos-support.co.uk

 Help@ClickSpares.co.uk

 0370 112 1928

Customer Support

 0345 640 2020



Safety and Care Advice

Product Details

Cassidy oak shoe storage cabinet 4010106

IMPORTANT, RETAIN FOR FUTURE REFERENCE: READ CAREFULLY.

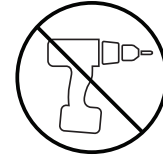
- Keep children and animals away from the work area, small parts could choke if swallowed.

- Make sure you have enough space to layout the parts before starting.

- This product has been constructed to be used in the domestic environment only and not for commercial purposes.

- Assemble the item as close to its final position (in the same room) as possible.

- Assemble on a soft level surface to avoid damaging the unit or your floor.



- We do not recommend the use of power drill/drivers for inserting screws as this could damage the unit. Only use hand screwdrivers.

- Parts of the assembly will be easier with 2 people.

- Dispose of all packaging carefully and responsibly.

Care and maintenance

- Only clean using a damp cloth and mild detergent. Do not use abrasive cleaners.

- Use a dry cloth to clean the product, furniture polish is not recommended.

- From time to time check that there are no loose screws, nuts or bolts. If there are please re-tighten.

- This product should not be discarded with household waste. Take to your local authority waste disposal centre.

Additional Guidance

- Assemble all parts and bolts loosely during assembly, only once the product is complete should you fully tighten the bolts.

- Regularly check and ensure that all bolts and fittings are tightened properly.

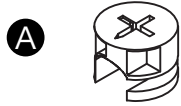
- Maximum loading weight 45kg/per layer.

- This product is compliant EN14749, BS4875-7.

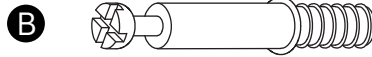
- Any additional or replacement parts are obtained from the manufacturer.

Fittings (Shown to scale)

Bag 1



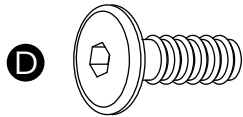
A Locking Nut x20



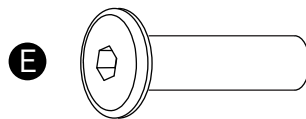
B Metal Dowel x20



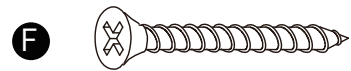
C 30mm Wooden Dowel x 16



D M6*16mm Bolt x 2



E M6*25mm Bolt x 2



F 35mm Screw x 4



G 20mm Screw x 4



H 16mm Screw x 16



I 12mm Screw x 44



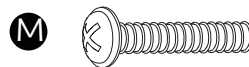
J 16mm Screw x 2



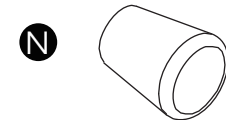
K 16mm Screw x 8



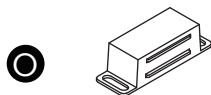
L Shelf Pin x 20



M 20mm Handle Screw x 4



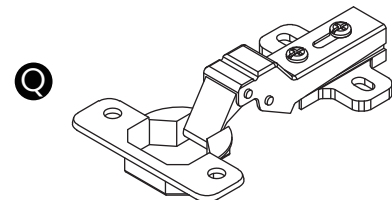
N 22mm Handle x 4



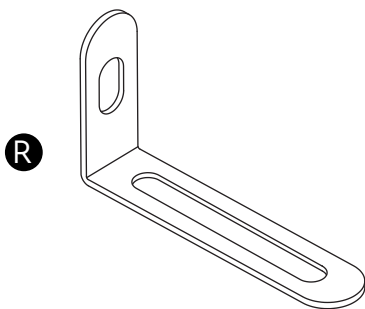
O Magnetic Door Holder x 4



P Iron Sheet x 4



Q Hinge x 4



R L Shap Bracket x 2

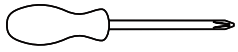


S M4 Alley Key x 2

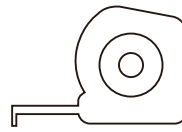


T 20mm Foot Pad x 2

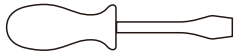
Tools required



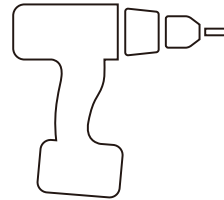
Phillips screwdriver
(small & medium)



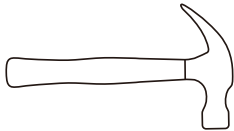
Ruler/tape
measure



Phillips screwdriver
(small & medium)



Power Drill



Large hammer

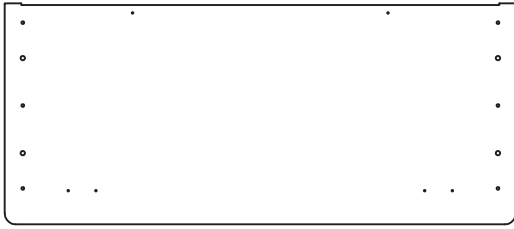


Pencil

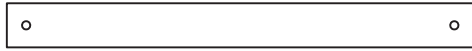


Drill Heads

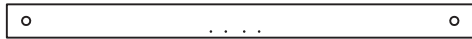
Panels



1 Top Panel x 1
(925 x 400mm)



4 Support Rail x 1
(840 x 80mm)



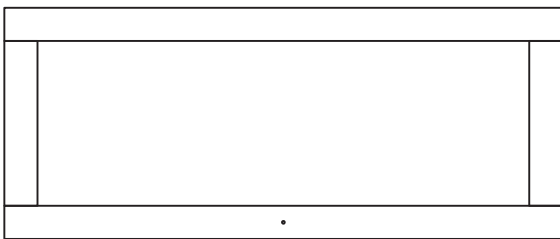
5 Support Rail x 1
(840 x 60mm)



6 Bottom Panel x 1
(840 x 366mm)



7 Shelf x 5
(835 x 380mm)



8 Door x 2
(1010 x 416mm)



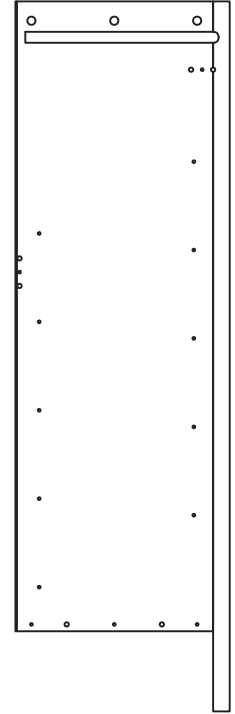
12 Drawer Front x 1
(835 x 120mm)



16 Drawer Bottom Panel x 1
(802 x 346mm)



2 Left Side Frame x 1
(1285 x 390mm)



3 Right Side Frame x 1
(1285 x 390mm)



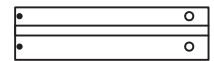
9 Back Panel one x 1
(864 x 224mm)



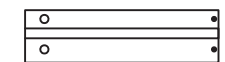
10 Back Panel two x 1
(864 x 224mm)



11 Back Panel three x 2
(634 x 432mm)



13 Drawer Left side x 1
(350 x 90mm)



14 Drawer Right side x 1
(350 x 90mm)



15 Drawer Back Panel x 1
(790 x 90mm)



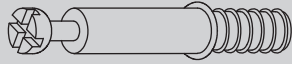
17 Link Stopper x 2
(80 x 25mm)



18 Link Stopper x 2
(45 x 25mm)

1

B



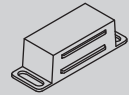
Metal Dowel x20

H

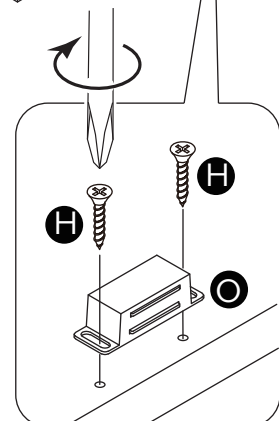
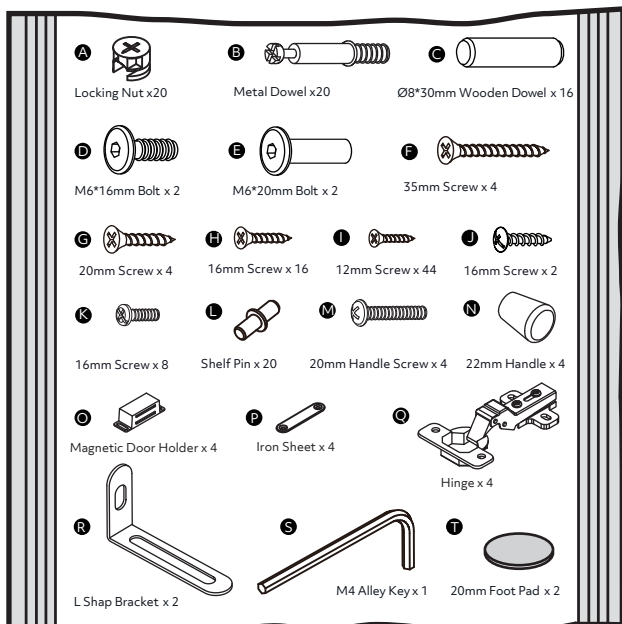
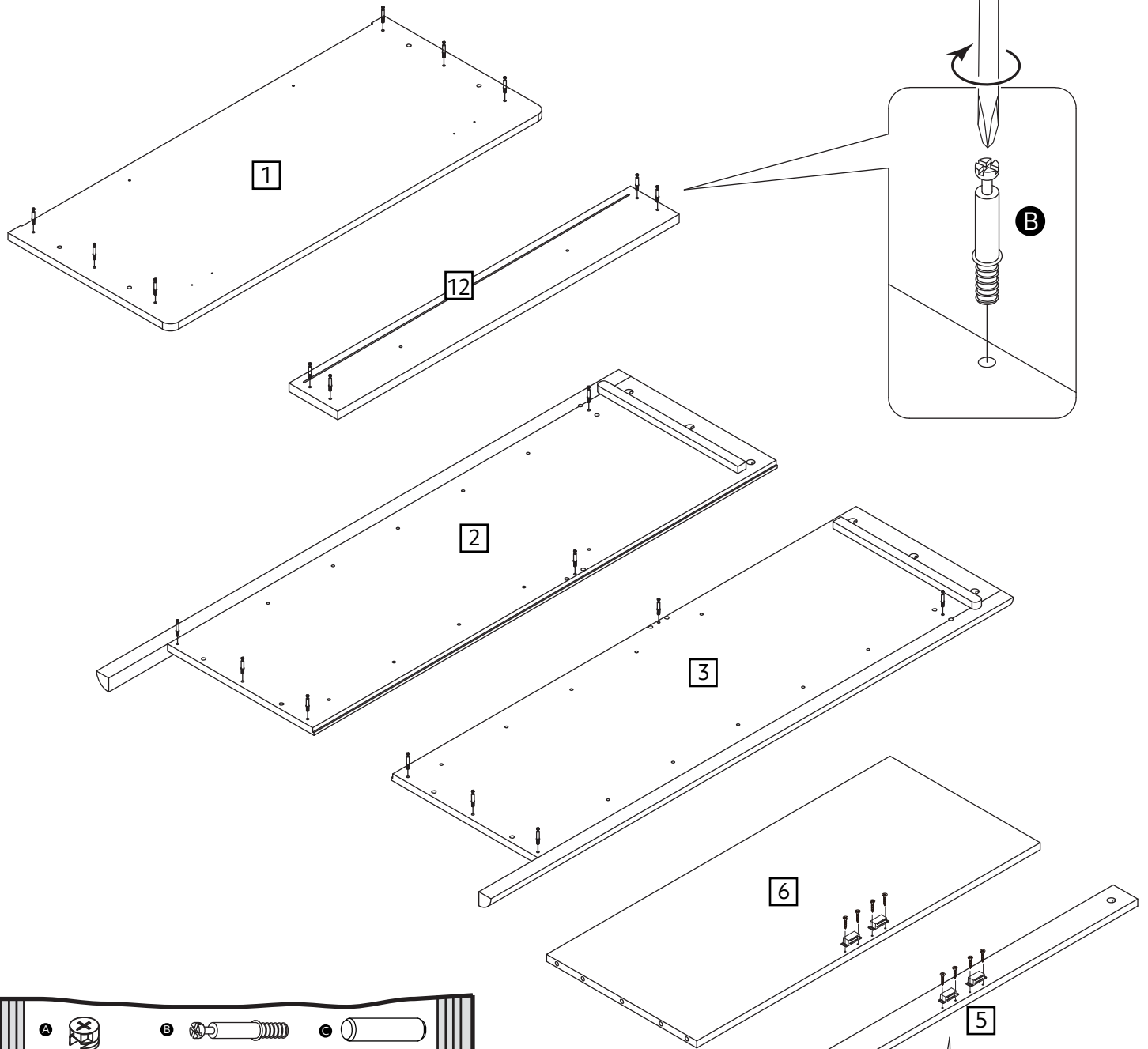


16mm Screw x 8

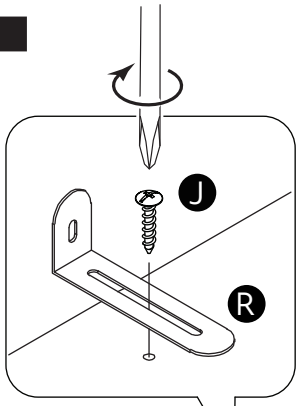
C



Magnetic Door Holder x 4



2

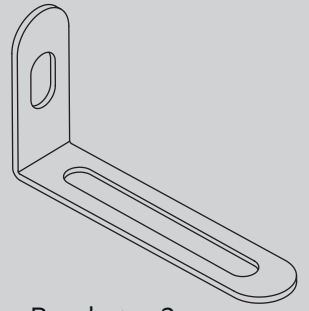


20mm Screw x 4

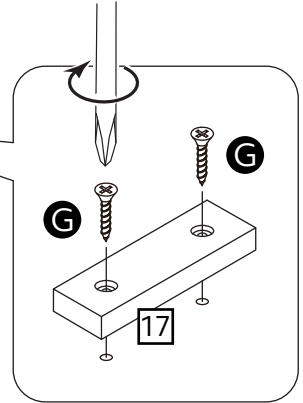
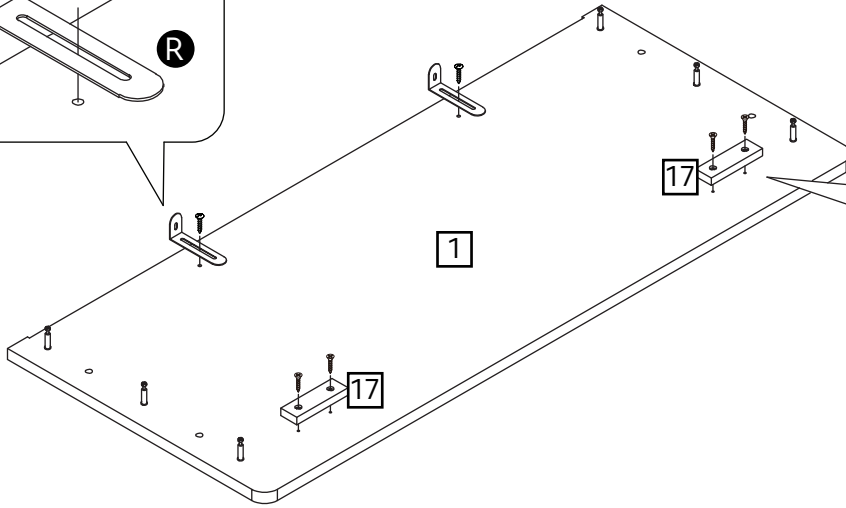


16mm Screw x 2

R



L Shap Bracket x 2



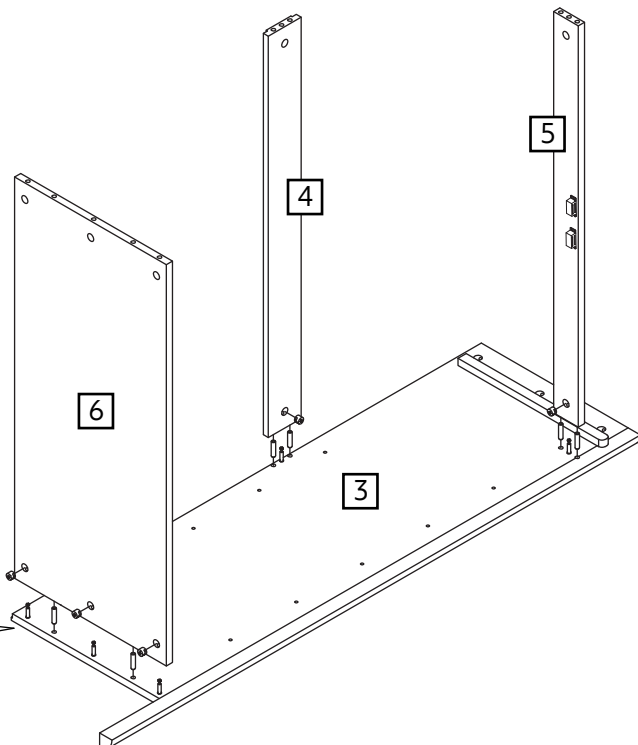
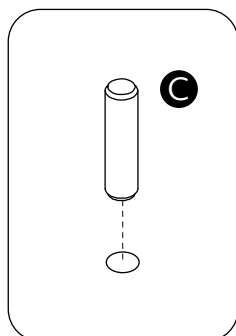
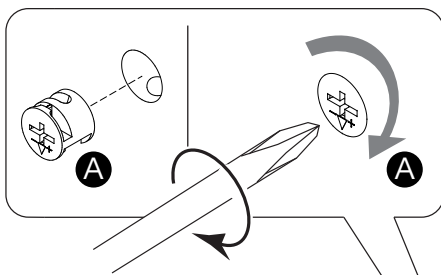
3



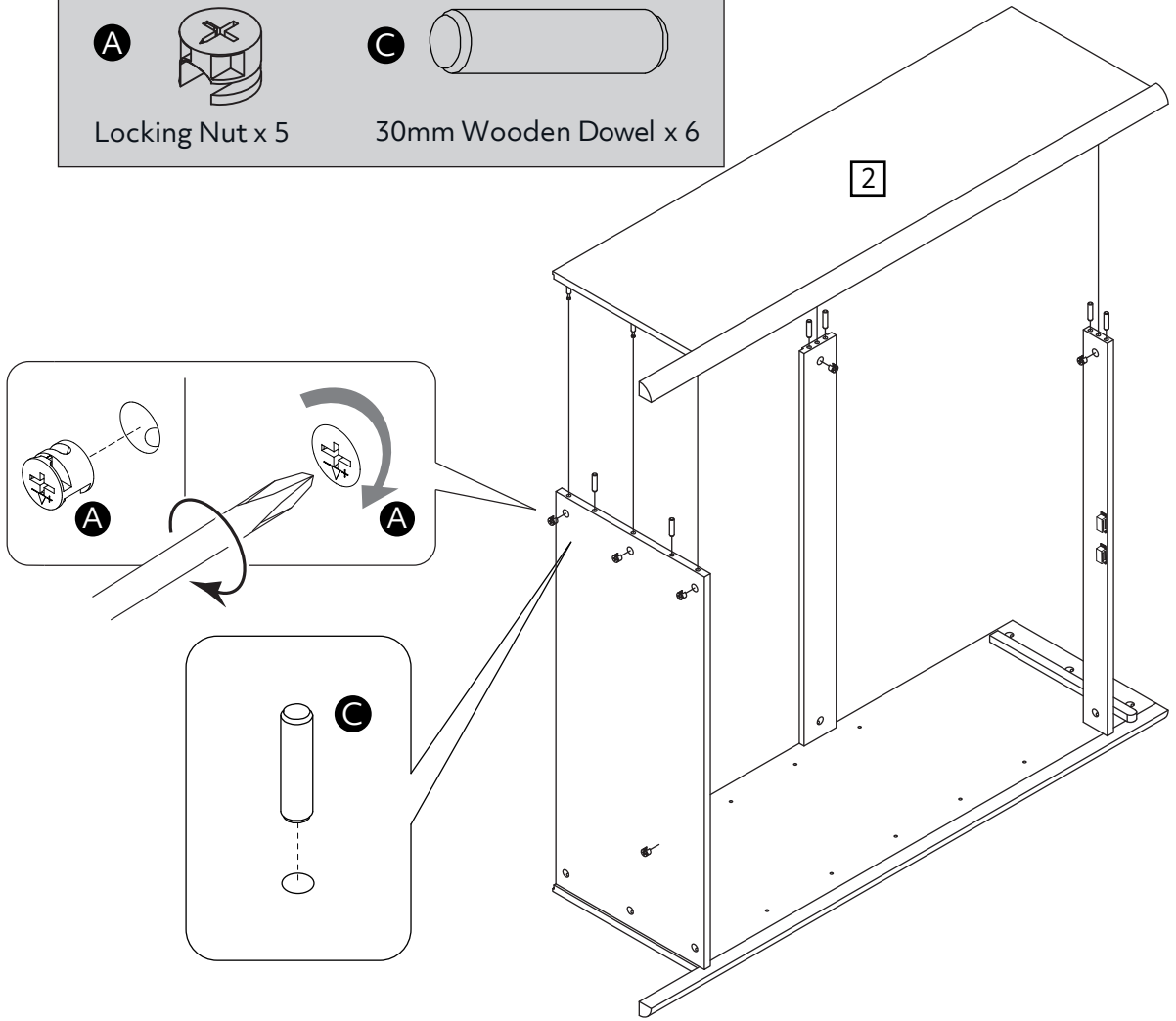
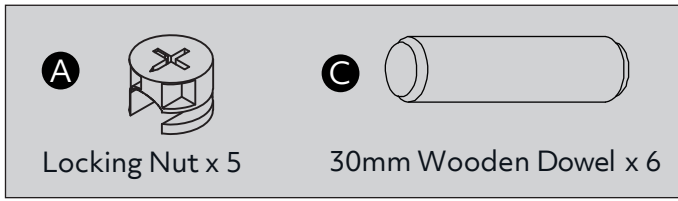
Locking Nut x 5



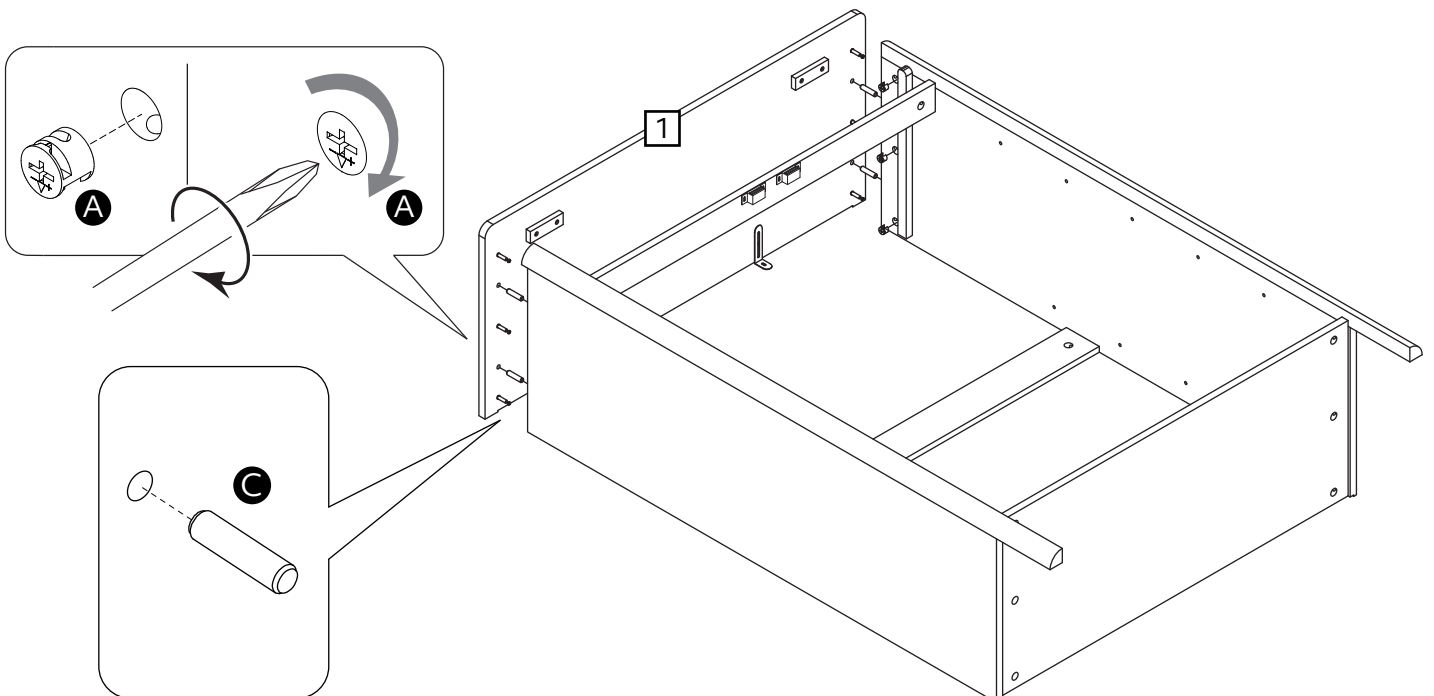
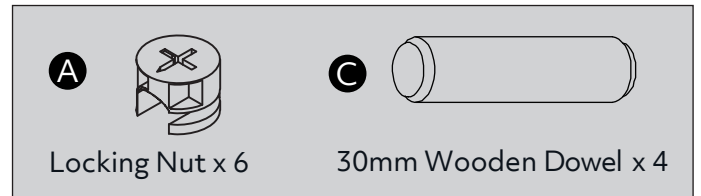
30mm Wooden Dowel x 6



4





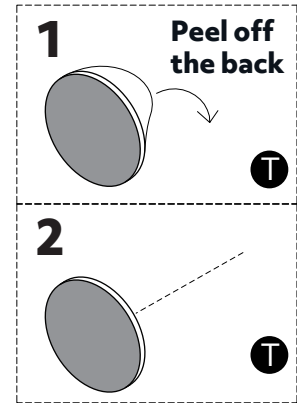
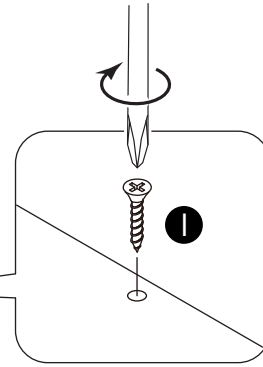
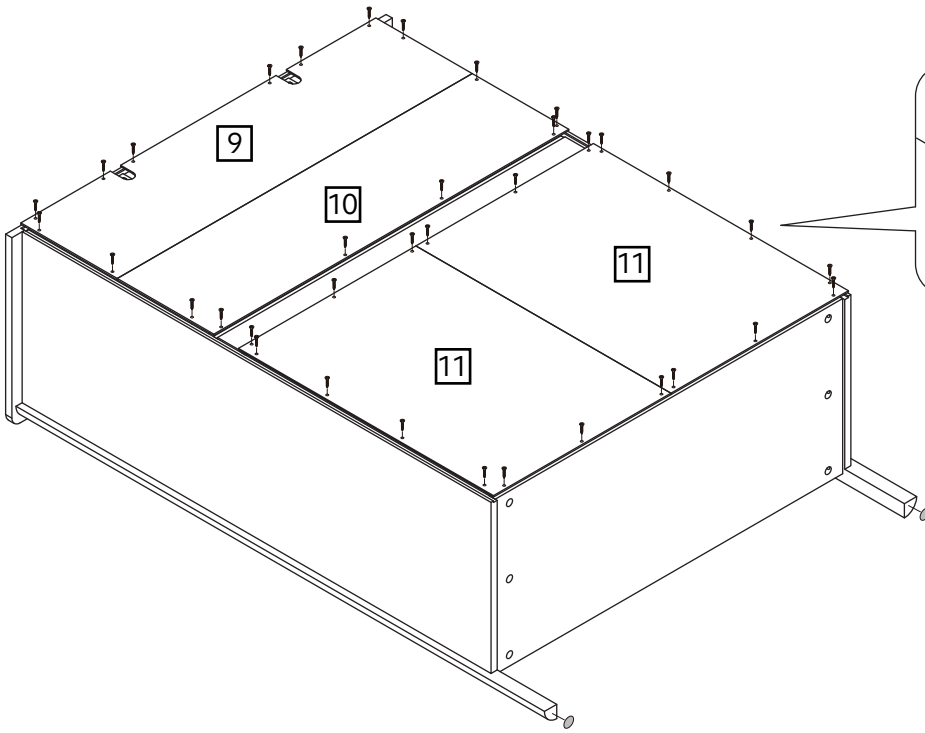
5



6

 **Rotate Product**

I  **T** 
12mm Screw x 36 20mm Foot Pad x 2



7



16mm Screw x 8



12mm Screw x 8

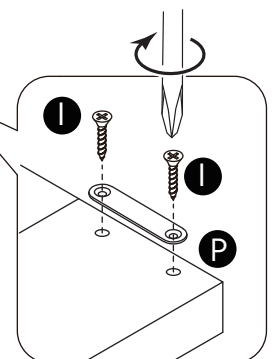
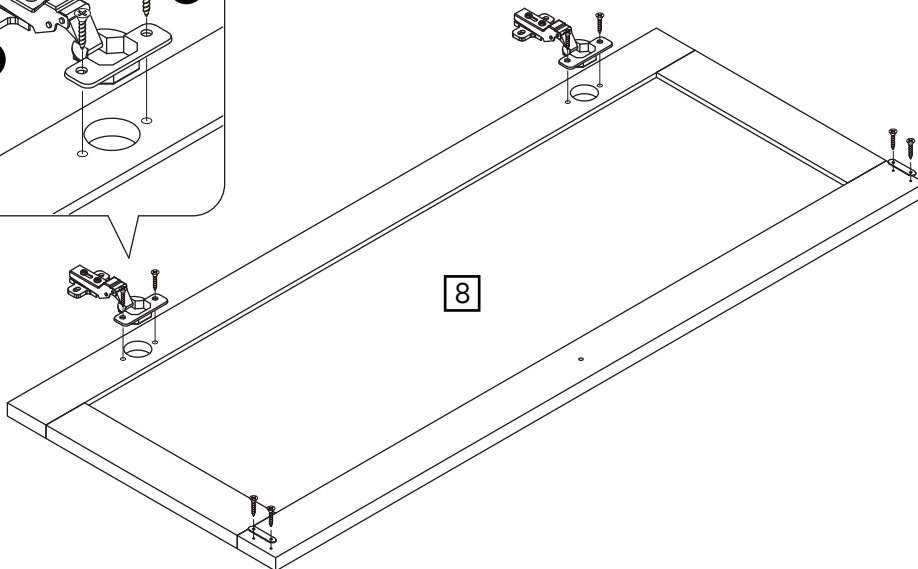
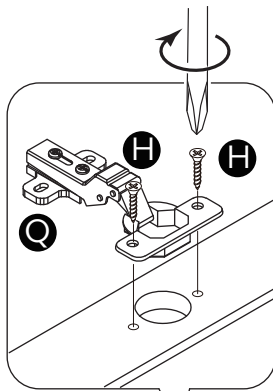


Iron Sheet x 4

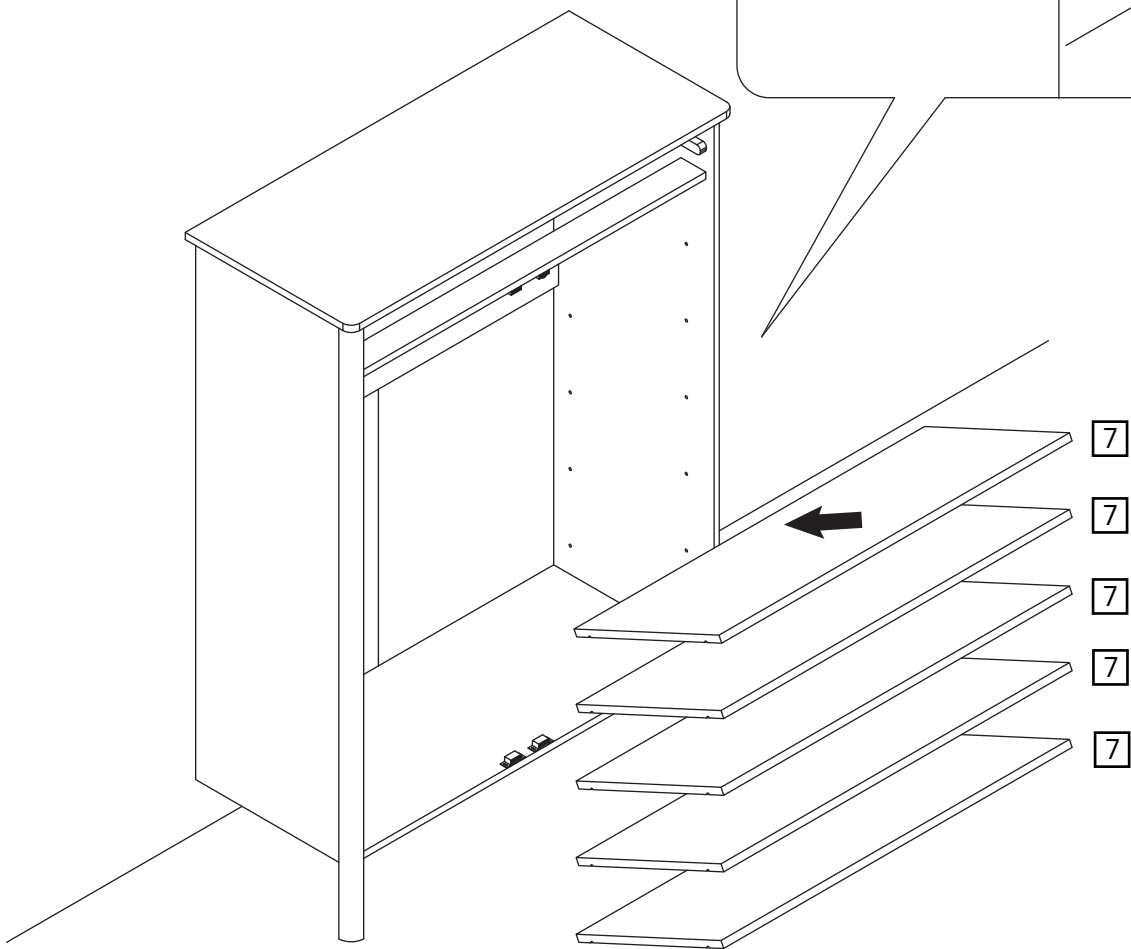
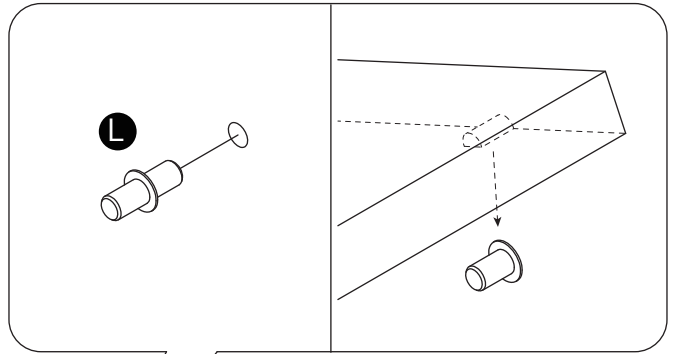
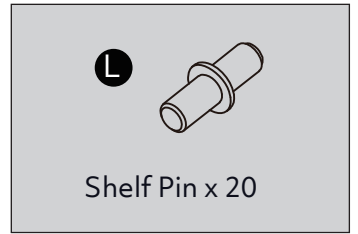


Hinge x 4




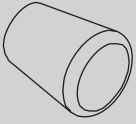
x2

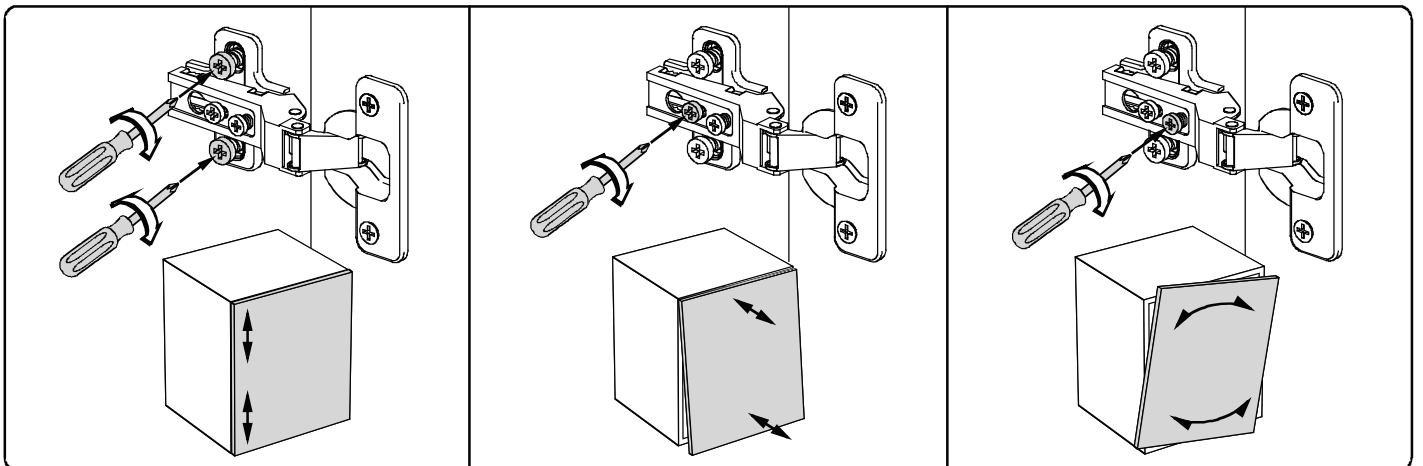
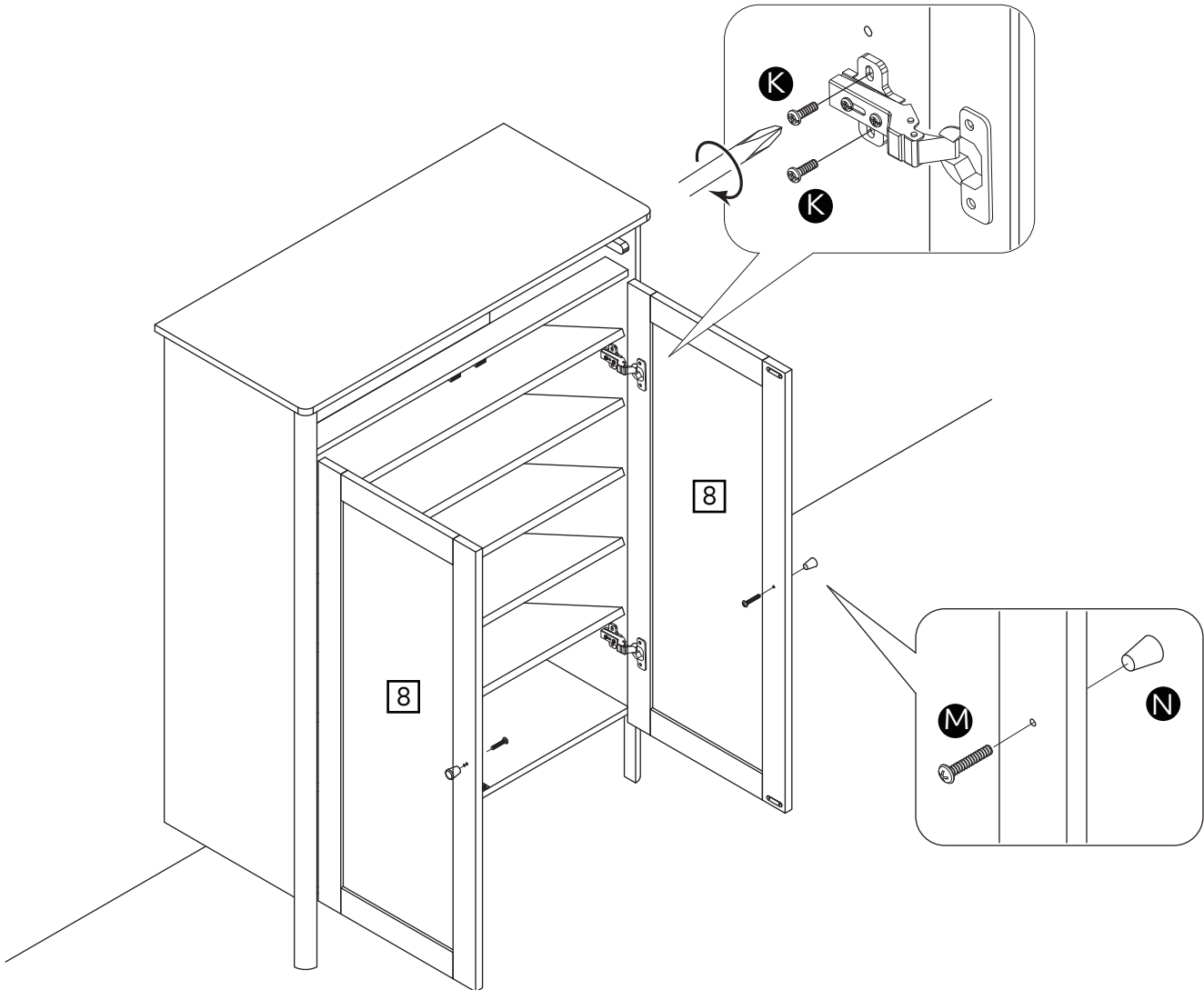


8

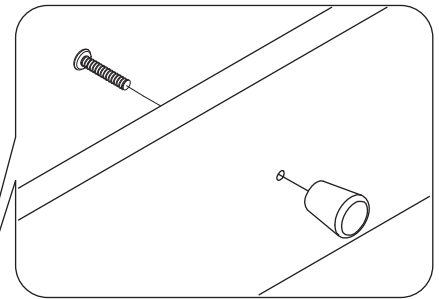
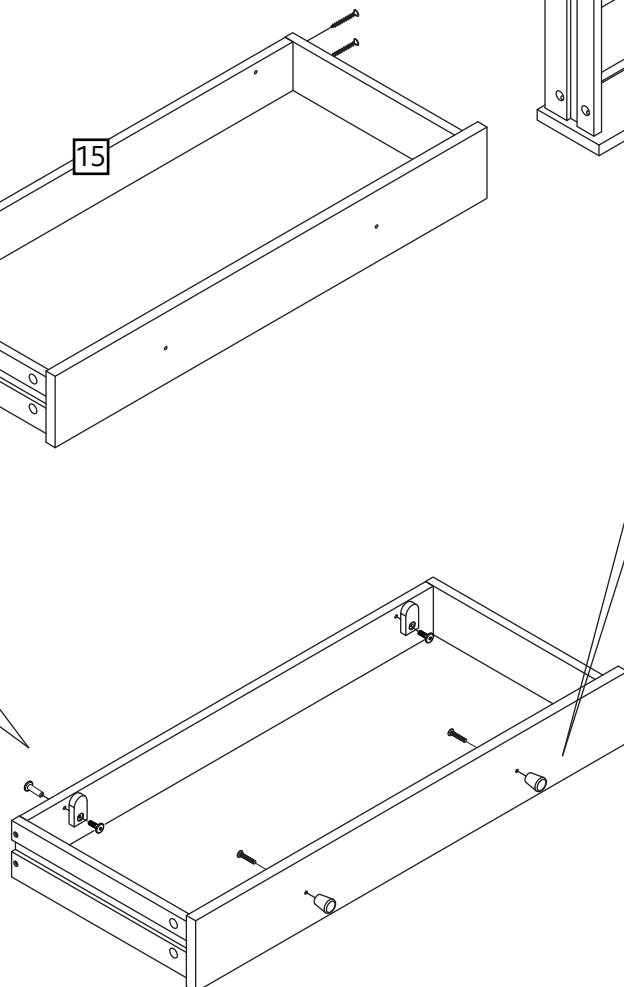
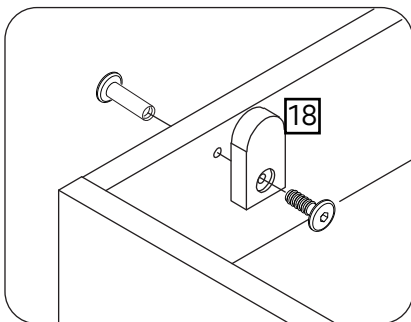
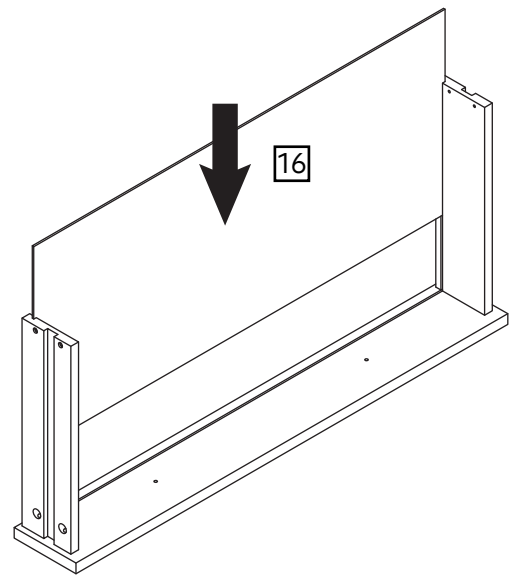
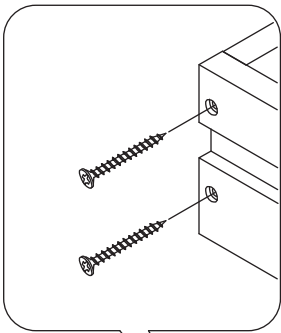
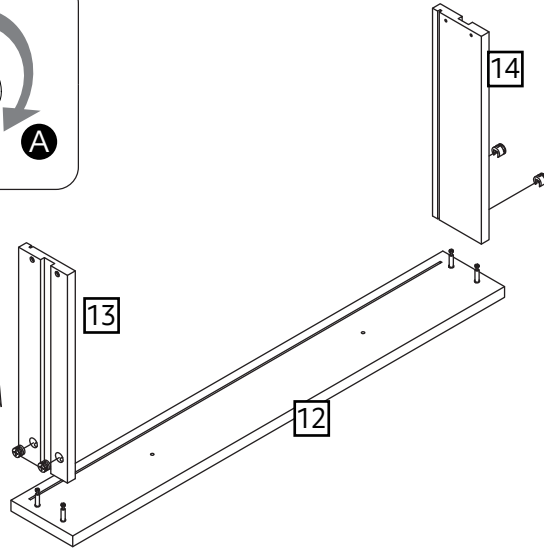
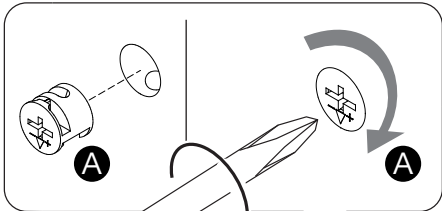
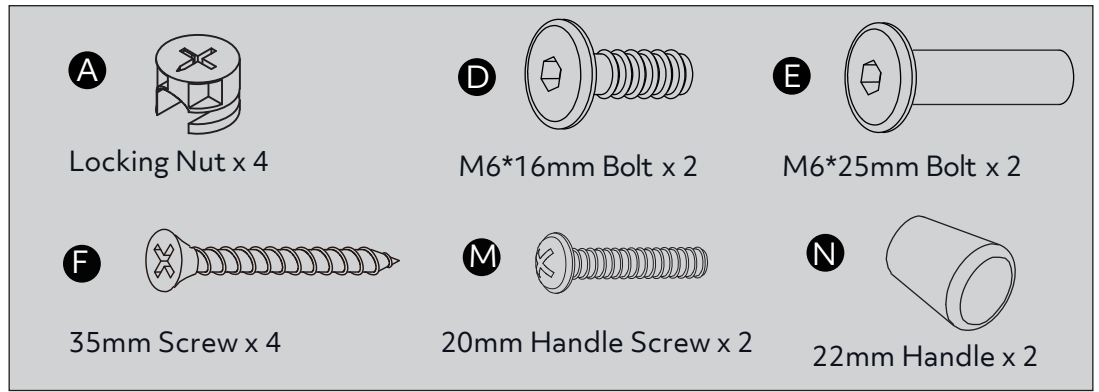


9

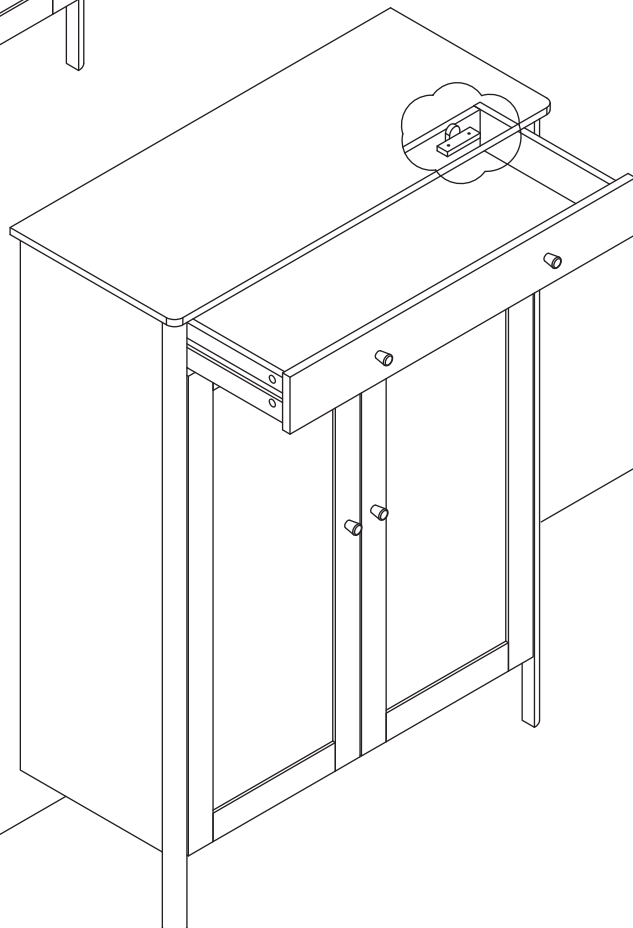
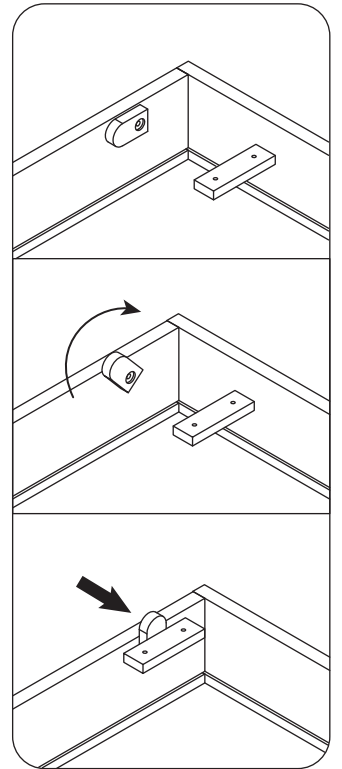
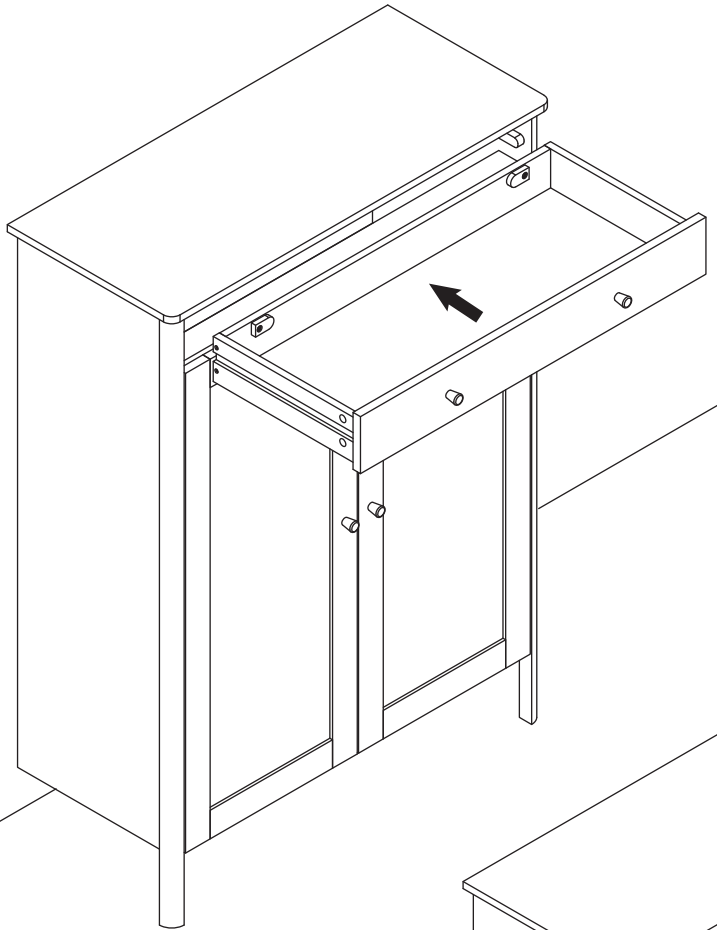
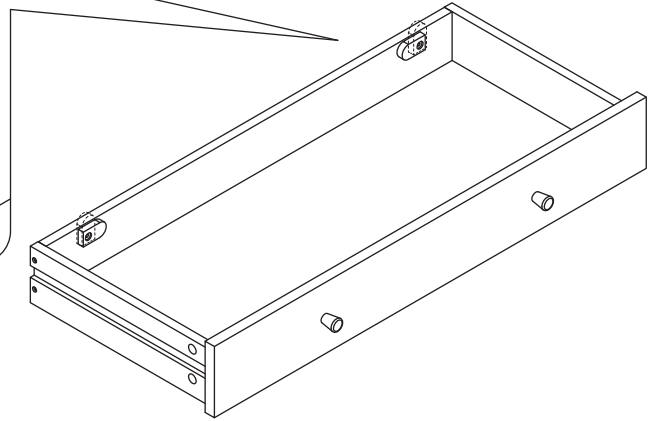
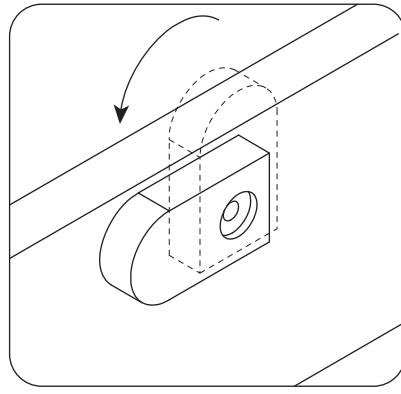
			
16mm Screw x 8	20mm Handle Screw x 2	22mm Handle x 2	



10



11



12



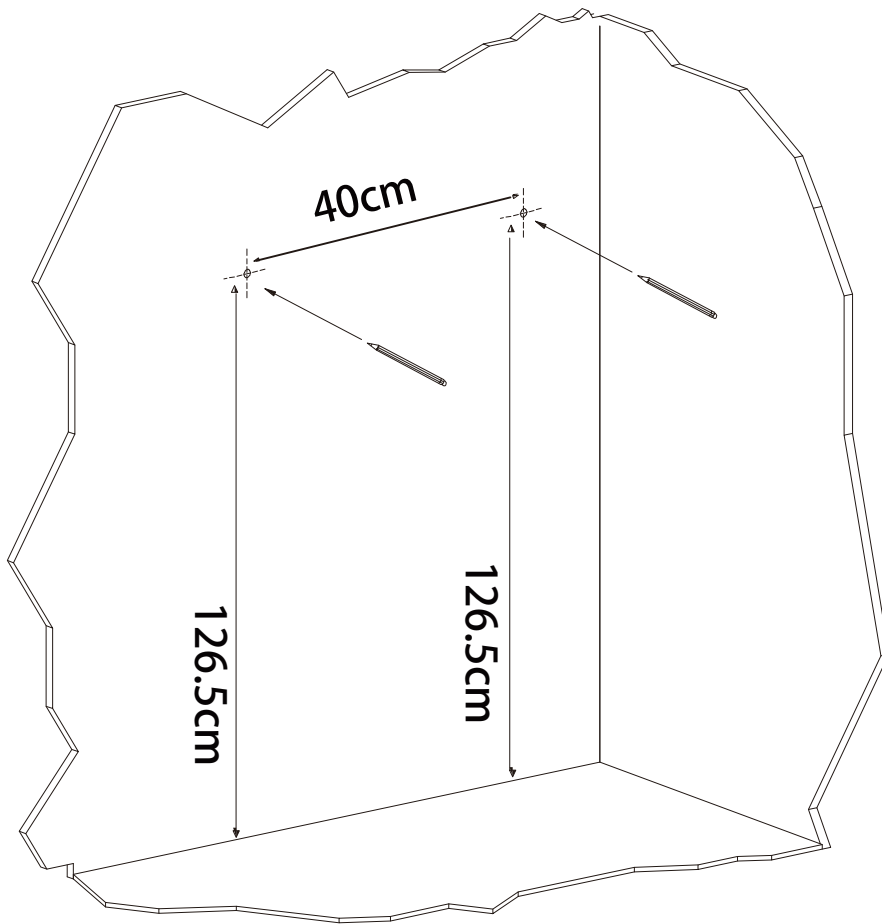
WARNING!

In order to prevent overturning this product must be used with the wall attachment device provided. Serious or fatal crushing injuries can occur from furniture tipping over. To help prevent topple over :-

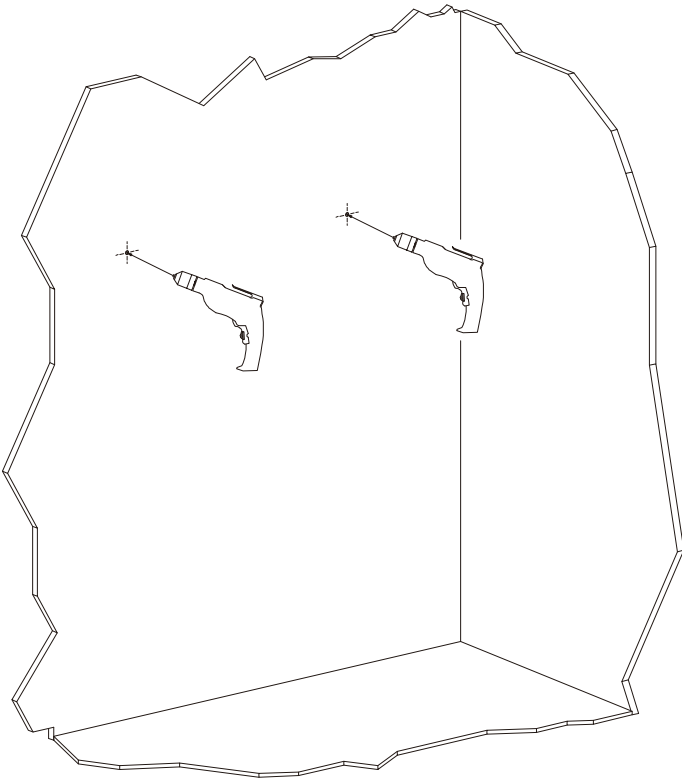
- Use the wall attachment devices provided
- Never allow children to climb or hang on drawers
- Do not overload the drawer beyond maximum recommended loading.
- Place heaviest items in the lower drawers or shelves.
- Unless specifically designed to accommodate, do not set TV's or other heavy objects on top of this product
- Never open more than one drawer at a time

An attachment device is provided with your product, however you will need to source suitable fixings for your wall type. If in doubt consult a qualified trades person.

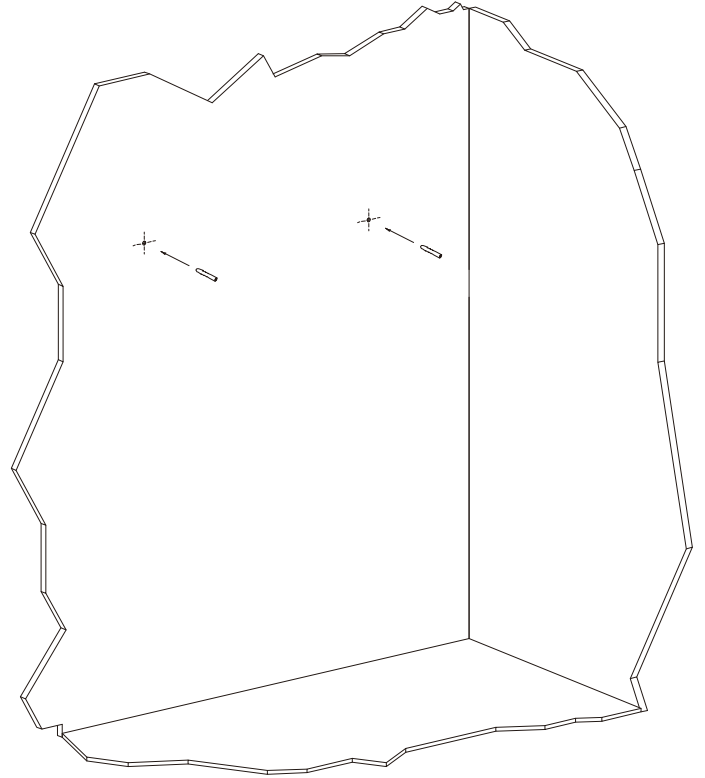
Always ensure that the wall to be drilled into is free from hidden electrical wires, water and gas pipes.



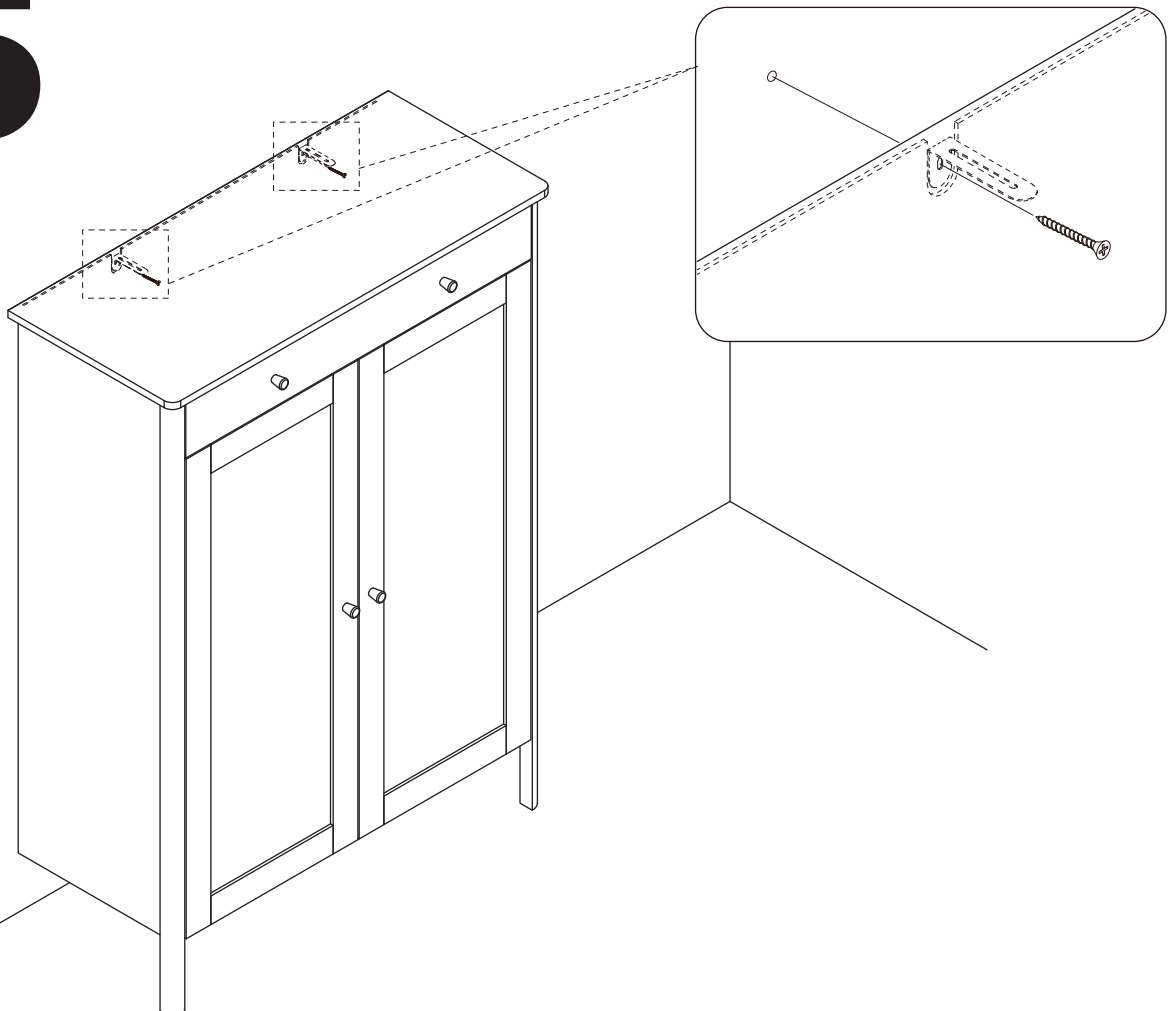
13



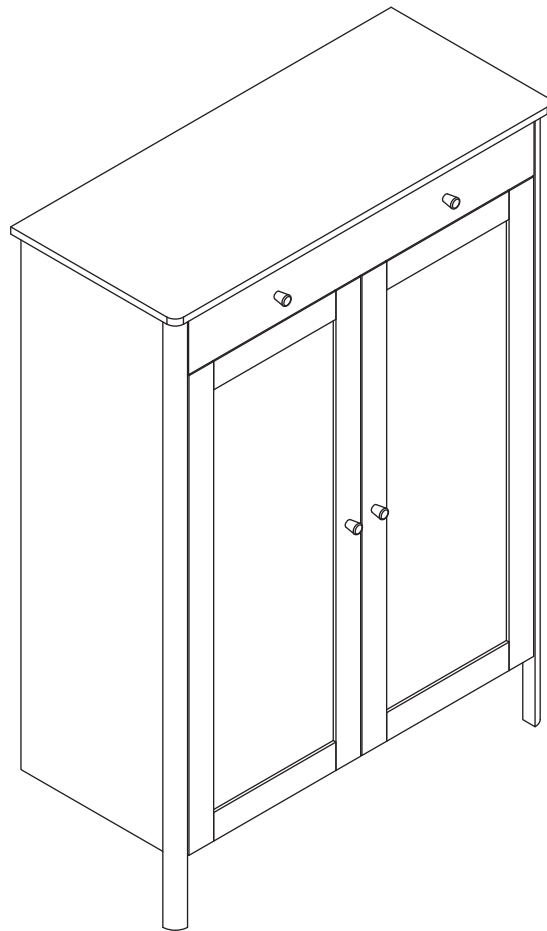
14



15



16



Assembly is complete.

A Guide to - Wall Mounting & Fixings

Important note:

If plastic wall plugs are supplied with your product:



- these are only suitable for use in masonry walls.

If you are in any doubt about the correct wall plugs for your wall, seek professional advice.

Failure of the product due to using incorrect fixings is the responsibility of the installer.



Important: When drilling into walls always check that there are no hidden wires or pipes etc.

Make sure that the screws and wall plugs being used are suitable for supporting your unit. Consult a qualified tradesperson if you are unsure.

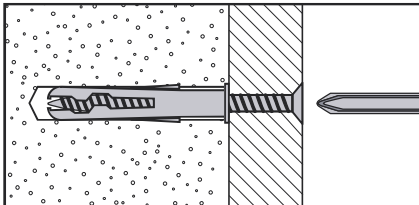
Hints:

- 1: General rule:** ⚠ Always use a larger screw and wall plug if you are not sure.
- 2:** Ensure you use the recommended drill bit to match the wall plug and hole size.
- 3:** Ensure you drill the hole horizontally, do not force the drill or enlarge the hole.
- 4:** Take extra care when drilling high walls, ceilings and ceramic tiles. Ensure wall plugs are inserted beyond the thickness of the ceramic tiles to avoid the tiles splitting or cracking.
- 5:** Ensure wall plugs are well fitted and are a tight fit in the drilled hole.

Types of walls

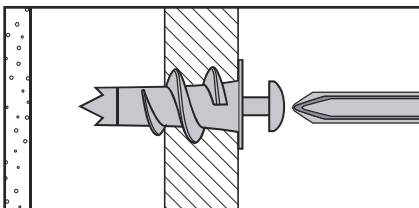
You can use one of the following types of wall plug if your walls are made of brick, breeze block, concrete, stone or wood.

No.1 "General Purpose" wall plug



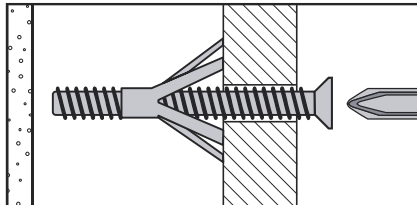
Generally aerated blocks should not be used to support heavy loads, use a specialist fitting in this case. For light loads, general purpose wall plugs can be used.

No.2 "Plasterboard" wall plug



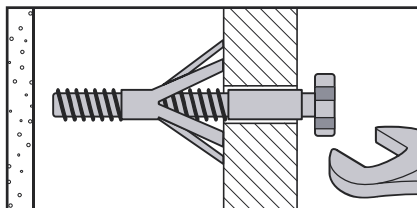
For use when attaching light loads on to plasterboard partitions.

No.3 "Cavity Fixing" wall plug



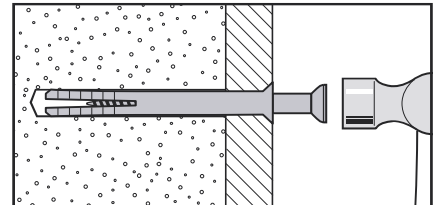
For use with plasterboard partitions or hollow wooden doors.

No.4 "Cavity Fixing-Heavy Duty" wall plug



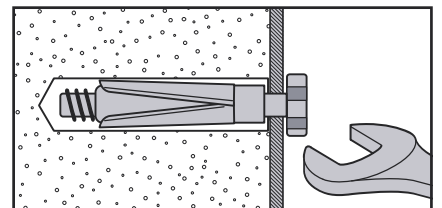
For use when fitting or supporting heavy loads such as shelving, wall cabinets and coat racks.

No.5 "Hammer Fixing" wall plug



For use with walls stuck with plasterboard. The hammer fixing allows it to be fixed to the wall rather than the plasterboard. Always check the fixing is secure to the retaining wall.

No.6 "Shield Anchor" wall plug Heavy loads



For use with heavier loads such as TV & HiFi speakers and satellite dishes etc.



Care & Maintenance

Safety: Always check the fitting and location to ensure your safety in and around the home.

Fitting: From time to time check the fitting to ensure the wall plugs or screws do not become loose.