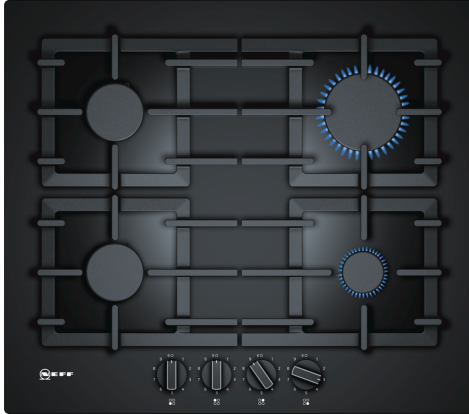


N 70, GAS HOB, 60 CM, TEMPERED GLASS, BLACK  
T26CS49S0



Optional accessories

Z2402X0	Small pot support
Z2480X0	Simmer plate

The gas hob with a tempered glass surface and adjustable FlameSelect.

- ✓ Tempered Glass Surface - extremely easy-to-clean surface.
- ✓ FlameSelect® – Gain ultimate control of your flame.
- ✓ Pan Supports - continuous cast-iron pan supports for maximum stability and cooking convenience.
- ✓ Sword Knobs - a better feel and easier to operate, the new knob in an attractive design.
- ✓ Installation - you have the option of installing the gas hob either flush or slightly raised.

Features

Technical Data

Product name/family: .....gas hob w  
integrated controls  
Construction type: ..... Built-in  
Energy input: ..... Gas  
Number of cooking zones: ..... 4  
Type of control setting devices: ..... sword knobs  
Min. required niche size for installation (HxWxD): .. 45 x 560-562 x  
480-492 mm  
Width of the appliance: ..... 590 mm  
Dimensions: ..... 58 x 590 x 520 mm  
Dimensions of the packed product (HxWxD): . 141 x 651 x 578 mm  
Net weight: ..... 15.1 kg  
Gross weight: ..... 16.0 kg  
Residual heat indicator: .....without  
Location of control panel: ..... Front  
Basic glass material: ..... Tempered glass  
Color of surface: ..... Black  
Color of frame: ..... Black  
Length of electrical supply cord: ..... 100.0 cm  
EAN code: .....4242004203322  
Gas connection rating: .....7500 W  
Fuse protection: .....3 A  
Voltage: ..... 220-240 V  
Frequency: ..... 60; 50 Hz



## N 70, GAS HOB, 60 CM, TEMPERED GLASS, BLACK T26CS49S0

### Features

#### Design

- tempered glass surface, black
- Two built-in options:
  - - Flush installation - Surface mounted installation: install the hob either flush or slightly raised on the worktop
- Cast iron pan supports with rubber feet

#### Usage convenience

- FlameSelect with 9 steps: precisely control and adjust the flame in nine defined levels.
- Design co-ordinated control dials: easily access dials in front with strong grip for effortless turning.
- Ignition via control dials: just push and turn the dials to ignite the flame.

#### Burners and power

- 4 burner hob
- Left front: Standard burner up to 1.75 KW (depending on gas type)
- Left rear: Standard burner up to 1.75 KW (depending on gas type)
- Right rear: High speed burner up to 3 KW (depending on gas type)
- Right front: Economy burner up to 1 KW (depending on gas type)

#### Safety

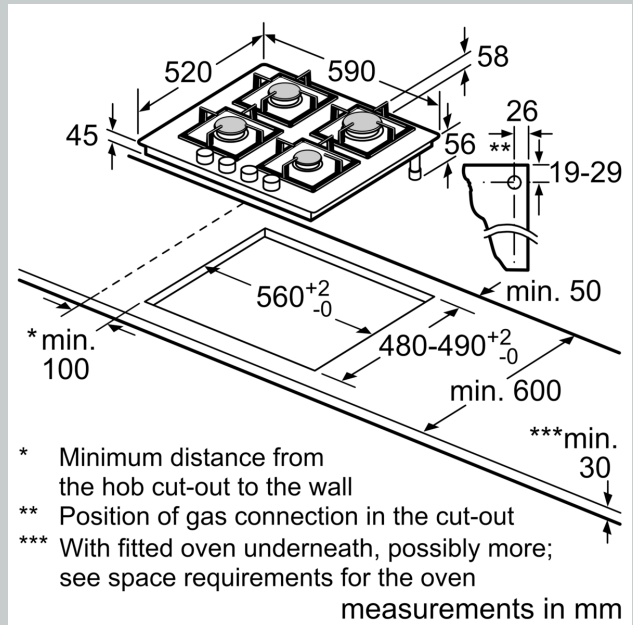
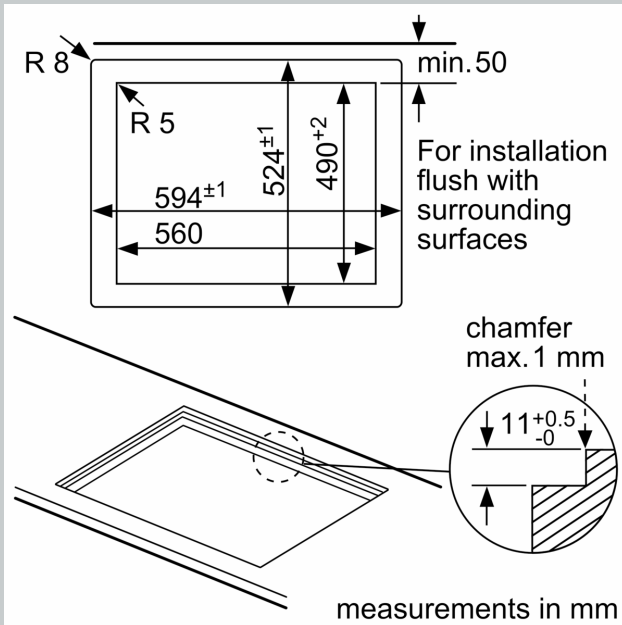
- Flame failure safety device: prevents unwanted gas flow when flame goes out.

#### Installation (gas types & measurements)

- Usable for: Nat gas L/LL G25/20mbar(DE)
- NG H/E 20mbar, E+ 20/25mbar Natural gas H 25 mbar (HU) Natural gas L 25 mbar (NL) Liquid gas G30,31 28-30/37mbar Liquid gas G30 37 mbar (PL) Liquid gas 50 mbar
- Factory set for connection to mains gas
- Nozzle set for LPG jets (28-30/37mbar) included. Nozzles for all other gas types can be ordered via the customer service. For nozzle change, please contact the customer service.
- Dimensions of the product (HxWxD mm): 58 x 590 x 520
- Required niche size for installation (HxWxD mm) : 45 x 560 x (480 - 492)
- Min. worktop thickness: 30 mm
- Power cord: 1 m
- Connected load: 7.5 KW

N 70, GAS HOB, 60 CM, TEMPERED GLASS, BLACK  
T26CS49S0

Dimensioned drawings



- \* Minimum distance from the hob cut-out to the wall
- \*\* Position of gas connection in the cut-out
- \*\*\* With fitted oven underneath, possibly more; see space requirements for the oven