

Maintenance

This fitting is designed for indoor use only. Do not use polish or abrasive cleaner - just a soft dry cloth.

BULB REPLACEMENT

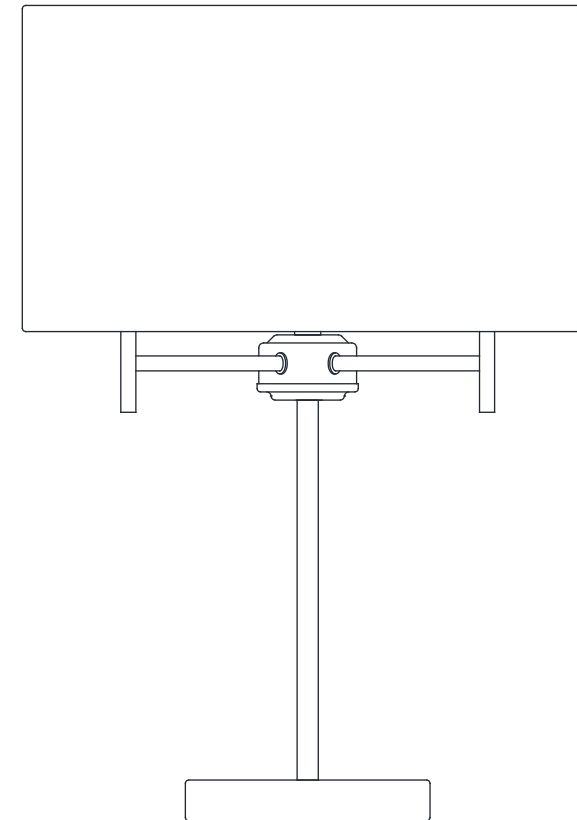
1. Switch off the mains power supply.
2. Before replacing the bulb, allow it to cool down for at least 10 minutes.
3. Never touch the bulb with your fingers directly, cover it with a cloth.
4. Loosen the bulb and remove it from the lamp.
5. Replace a new bulb with same voltage and wattage (**3 x Max. 10W E14**).

HOME

Candelabra Table Lamp

SKU 393/2663

SKU 488/0398



Recycling electrical products

You should now recycle your waste electrical goods and in doing so help the environment. This symbol means an electrical product should not be disposed of with normal household waste. Please ensure it is taken to a suitable facility for disposal.

Visit www.recycle-more.co.uk, click on "bank locator" and enter your postcode to find your nearest recycling site.



We care about our quality and what you think, If you have any comments, good and bad, Please call our Careline **Argos: 0345 6400 800** or visit **www.argos.co.uk** Your statutory rights are not affected.

Produced in China.
Sainsbury's Supermarkets Ltd, London, EC1N 2HT, UK.
Sainsbury's (NI) Ltd, Forestside Shopping Centre, Upper Galwally, Belfast, BT8 6FX, UK.

Care & Instruction Manual

For household and indoor use only

Please read and retain these instructions for future reference

Important

- Read these instructions carefully and familiarize yourself with the procedure before assembling the unit.
- Take all the components and fittings out of the plastic bag and separate them into their groups.
- Ensure you have enough space to lay out all the parts before assembly.
- Always be sure to use the correct type and wattage of bulbs as indicated on the fitting. Never exceed the wattage stated.
- To avoid scratching it is recommended that you assemble the unit on a soft level surface.
- When changing the bulb, always switch off at the mains and allow the old bulb to cool down before handling. Dispose of used bulbs carefully.
- This luminaire is Class II insulated. If the external flexible cable or cord of this luminaire is damaged, it shall be exclusively replaced by the manufacturer or his service agent or a similar qualified person in order to avoid a hazard.
- The luminaire is designed for indoor use only.

Instruction for use

1. Assemble all components as shown on the diagram. Ensure the excess cable does not become trapped or twisted when fixing tubes together. Then pull surplus cable through the base.
2. Remove the shade holding knob from the stem (diagram point 6), then attach the shade to the stem and secure in place with the holding knob (diagram point 8)
3. Fit the bulb: Type and wattage as indicated on the fitting. The wattage indicated must not be exceeded.

