

**Series 8, Built-in compact oven with microwave function, 60 x 45 cm, Black
CMG7761B1B**



Included accessories

2 x combination grid
1 x universal pan

Optional accessories

HEZ327000 , HEZ530000 Half tray, HEZ531010
Baking tray, non-stick ceramic coated,
HEZ532010 , HEZ617000 , HEZ629070 Air Fry
& Grill tray,
HEZ631070 Baking tray, enamelled, HEZ632070 , HEZ634000
Baking and roasting grid (standard), HEZ636000 Glass pan,
HEZ660050 Cover Strip, HEZ660060 Strip, HEZ664000 ,
HEZ915003 Glass roasting dish, 5,4 L

The compact microwave oven with Digital Control Ring and TFT-touchdisplay: enables you to achieve perfect baking and roasting results very quickly. Home Connect for control via the App.

- **Digital Control Ring:** simple and intuitive oven control.
- **TFT Touch Display Plus:** intuitive control with the Digital Control Ring and enlarged TFT touchscreen
- **4D Hotair:** even heat distribution for perfect results.
- **Hotair Gentle:** saves energy while baking and roasting.
- **Microwave Boost Function:** quick and easy warming.

Technical Data

Type of micro-wave oven : MW-Combi
Type of control : Electronic
Dimensions : 455 x 594 x 548 mm
Cavity dimensions : 237.0 x 480 x 392.0 mm
Length electrical supply cord : 150.0 cm
Net weight : 34.6 kg
Gross weight : 37.6 kg
Maximum micro-wave power : 900 W
Number of Power Levels : 5
Turntable : No
Cavity material : Enamelled steel
Door opening : Handle
Clock : Yes
Included accessories : 2 x combination grid, 1 x universal pan
Height of the appliance : 455 mm
Width of the appliance : 594 mm
Depth : 548 mm
Maximum micro-wave power : 900 W
Connection Rating : 3600 W
Fuse protection : 16 A
Voltage : 220-240 V
Frequency : 50; 60 Hz
Plug type : no plug (electrical connection by electrician)
Required cutout/niche size for installation (in) : x
Dimensions of the packed product : 21.25 x 25.59 x 26.77
Net weight : 76.000 lbs
Gross weight : 83.000 lbs
Included accessories : 2 x combination grid, 1 x universal pan



Series 8, Built-in compact oven with microwave function, 60 x 45 cm, Black CMG7761B1B

The compact microwave oven with Digital Control Ring and TFT-touchdisplay: enables you to achieve perfect baking and roasting results very quickly. Home Connect for control via the App.

Features

- Compact oven with microwave with 20 heating methods: conventional top and bottom heat, full width variable grill, half width grill, bottom heat, low temperature cooking, defrost, plate warming, keep warm, Conventional heat gentle, Microwave, 4D Hot air, Conventional heat, Full width grill, Half width grill, Hot air grilling
- Max. Power: 900 W; 5 Microwave power settings (90 W, 180 W, 360 W, 600 W, boost) with Inverter (MW)
- Intelligent microwave inverter technology: For optimised results maximum output power will be regulated to 600 W when used in longer operation for gentler cooking.
- Temperature range 30 °C - 275 °C
- Cavity volume: 45 litre capacity

Level independent telescopic rails

- 3 shelf positions

Design

- Touch controls
- Digital Control Ring
- Cavity inner surface: enamel anthracite

Cleaning

- Pyrolytic self-cleaning function
- hydrolyse program

Programmes/functions

- Oven Assistant with Voice Control
- BE62
- Electronic clock timer
- Digital temperature display with proposal
Actual temperature display Heating-up indicator
- Drop down door, SoftClose, SoftOpen
- BoschAssist
- Fast pre-heating function
- LED light, Light on/off when oven door opened/closed
- Integral cooling fan
- Home Connect ready

Accessories

- 2 x combination grid, 1 x universal pan

Features

- Maximum window temperature 30° C
- Quadruple glazed door with heat reflective glass glazed CoolTouch door
- Electronic door lock
Control panel lock Automatic safety switch off Residual heat indicator Start button Door contact switch

Technical information

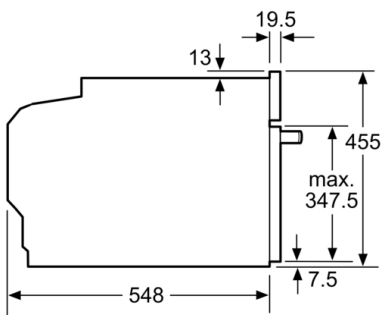
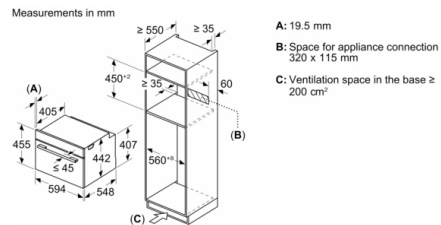
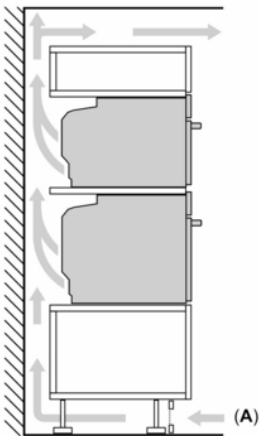
- 150 cm Cable Cable length
- Nominal voltage: 220 - 240 V
- Total connected load electric: 3.6 KW

Performance/technical information

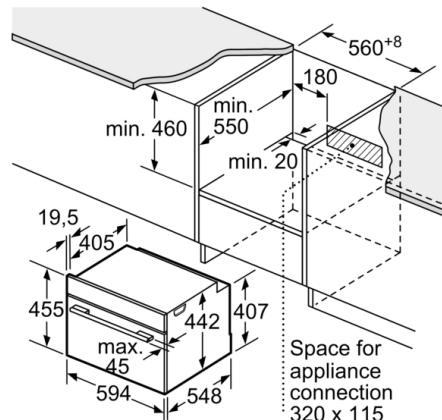
- Appliance dimension (hxwxh): 455 mm x 594 mm x 548 mm
- Niche dimension (hxwxh): 450 mm - 455 mm x 560 mm - 568 mm x 550 mm
- Please refer to the dimensions provided in the installation manual

Series 8, Built-in compact oven with microwave function, 60 x 45 cm, Black CMG7761B1B

Installing two appliances on top of each other
Air exchange

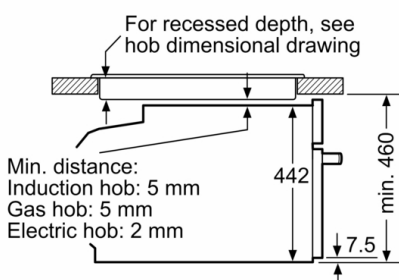


measurements in mm



measurements in mm

Installation with a hob.



measurements in mm

If the compact appliance will be installed underneath a hob, the following worktop thicknesses (including substructure if necessary) must be taken into account.

Hob type	min. worktop thickness	
	fitted	flush
Induction hob	42 mm	43 mm
Full surface Induction hob	52 mm	53 mm
Gas hob	32 mm	43 mm
Electric hob	32 mm	35 mm