

N 90, Built-in oven, 60 x 60 cm, Graphite-Grey
B64CS71G0B



A+

Included accessories

2 x combination grid, 1 x universal pan

Optional accessories

Z11AB15A0 : Baking tray, non-stick ceramic coated , Z11AU15A0 : , Z11CG10X1 : , Z11CR10X0 : Baking and roasting grid (standard) , Z11GT10X3 : Glass roasting dish, 5,4l , Z11GU20X0 : Glasspan , Z11SZ00X0 : SeamlessCombination mounting kit , Z11SZ80G0 : , Z11SZ90G0 : SeamlessCombination 60 + 45cm , Z12CB10A0 : Baking tray, enamelled , Z12CL10A0 : , Z12CM10A0 : Moussaka pan, enamelled , Z12CN10A0 : , Z12CP10A0 : Pizza pan, enamelled , Z12CU10A0 : , Z13CR10X0 : , Z13CV06S0 : Decor strip , Z1608CX0 : Full ext rails, level independent, pyro , Z1650BE0 : Half tray , Z1655CA0 : Air Fry & Grill tray , Z1913X0 : Baking Stone , Z19DD10X0 : Steam set for ovens

Built-in oven with Slide & Hide® - an easy to handle door that gently disappears under the oven. Home Connect - control your oven via the App.

- ✓ 4.1-inch Full Touch TFT Display: easy, intuitive menu for smart and enjoyable cooking.
- ✓ Slide & Hide®: the easy-to-handle oven door that slides away for unrestricted access.
- ✓ Pyrolytic Self-Cleaning with Easy Clean: the perfect cleaning partnership.
- ✓ Soft Open & Close: self-regulating doors for a quieter experience.
- ✓ Favourites: save and manage your preferred settings.

Features

Technical Data

Gross weight : 40.7 kg
 Built-in / Free-standing : Built-in
 Integrated Cleaning system : Pyrolytic+Hydrolytic
 Min. required niche size for installation (HxWxD) : 585-595 x 560-568 x 550 mm
 Dimensions : 595 x 596 x 548 mm
 Dimensions of the packed product (HxWxD) : 675 x 660 x 690 mm
 Control Panel Material : Stainless steel
 Door Material : Glass
 Net weight : 38.1 kg
 Usable volume (of cavity) - cavity 1 : 71 l
 Cooking method : 4D Hotair, Bottom heat, Bread Baking Setting, CircoTherm® gentle, Conventional heat, Conventional heat gentle, Dough proving setting, Full width grill, Half width grill, Hot air grilling, low temperature cooking, Pizza setting, pre-heating, warming
 Number of interior lights : 1
 Length electrical supply cord : 120.0 cm
 Interior Lights - cavity 1 : 1
 : Accessory
 Included accessories : 2 x combination grid, 1 x universal pan
 Broil Element Wattages cavity 1 : 2800 W
 Convection Element Wattages cavity 1 : 2300 W
 Energy efficiency rating : A+
 Energy consumption per cycle conventional (2010/30/EC) : 0.87 kWh/cycle
 Energy consumption per cycle forced air convection (2010/30/EC) : 0.69 kWh/cycle
 Energy efficiency index (2010/30/EC) : 81.2 %
 Connection Rating : 3600 W
 Fuse protection : 16 A
 Voltage : 220-240 V
 Frequency : 50; 60 Hz
 Plug type : no plug (electrical connection by electrician)
 Energy input : Electric
 Required cutout/niche size for installation (in) : x
 Dimensions of the packed product : 26.57 x 25.98 x 27.16
 Net weight : 84.000 lbs
 Gross weight : 90.000 lbs
 Length electrical supply cord : 120.0 cm
 Net weight : 38.1 kg
 Included accessories : 2 x combination grid, 1 x universal pan



Features

- Oven with 14 heating methods: CircoTherm®, Top/bottom heat, Circo-roasting, Full surface grill, Centre surface grill, CircoTherm® intensive, Bread baking, Bottom heat, Low temperature cooking, Dough proving, Plate warming setting, Keep warm, CircoTherm® gentle, Conventional heat gentle

Design

- Graphite-Grey Edition
- Touch control
- Cavity inner surface: enamel anthracite

Features

- HomeConnect ready on WLAN
- Oven Assistant with Voice Control
- Door lock during pyrolytic cleaning
Control panel lock Automatic safety switch off Residual heat indicator Start button Door contact switch
- Full glass inner door

Programmes/functions

- Temperature range 40 °C - 200 °C
- LED light, On/off button
- Electronic clock timer
- Slide&Hide® with rotating handle
- SoftClose, SoftOpen
- Quadruple glazed door glazed CoolTouch door
- 30 °C - Very low door temperature
- Temperature proposal
Actual temperature display Heating up indicator
- cookControl Plus
- Rapid heat
- Cooling fan
- Stainless-steel fan

Level independent telescopic rails

- 4 shelf positions
- Available as an accessory, pyrolytic proof

Cleaning

- Pyrolytic cleaning
- EasyClean

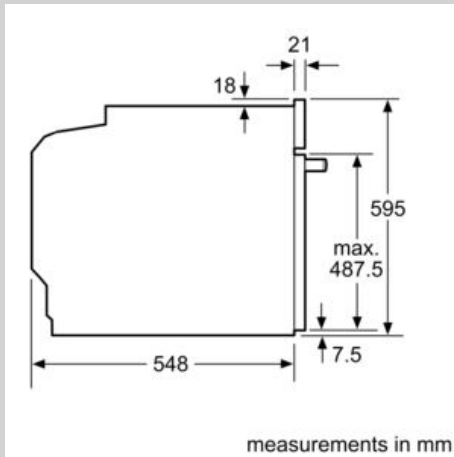
Accessories

- 2 x combination grid, 1 x universal pan

Performance/technical information

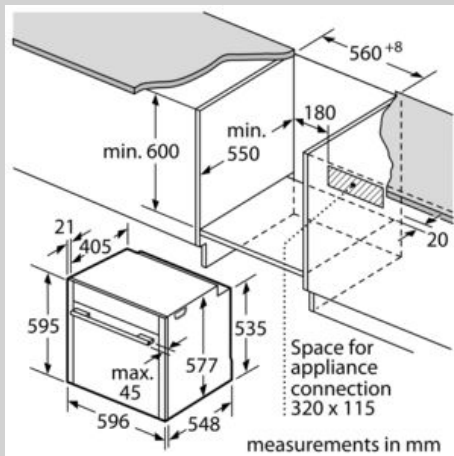
- 120 cm Cable length
- Nominal voltage: 220 - 240 V
- Total connected load electric: 3.6 KW
- Energy efficiency rating (acc. EU Nr. 65/2014): A+
Energy consumption per cycle in conventional mode:0.87 kWh
Energy consumption per cycle in fan-forced convection mode:0.69 kWh
Number of cavities: Main cavity Heat source: electrical Cavity volume:71 litre
- Appliance dimension (hxwxh): 595 mm x 596 mm x 548 mm
- Niche dimension (hxwxh): 585 mm - 595 mm x 560 mm - 568 mm x 550 mm
- Please refer to the dimensions provided in the installation manual

Dimensioned drawings

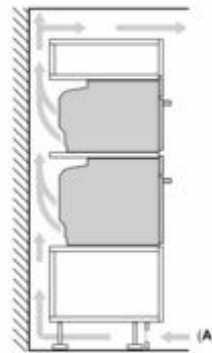


If the appliance will be installed underneath a hob, the following worktop thicknesses (including substructure if necessary) must be taken into account.

Hob type	min. worktop thickness	
	fitted	flush
Induction hob	37 mm	38 mm
Full surface Induction hob	47 mm	48 mm
Gas hob	30 mm	38 mm
Electric hob	27 mm	30 mm



Installing two appliances on top of each other
Air exchange



A: Air inlet $\geq 200 \text{ cm}^2$

