

*N 90, BUILT-IN OVEN WITH ADDED STEAM FUNCTION, 60 X 60 CM, GRAPHITE-GREY B64VS71G0B*



A+

**Included accessories**

2 x combination grid, 1 x universal pan

**Optional accessories**

Z11AB15A0 Baking tray, non-stick ceramic coated, Z11AU15A0 Universal pan, non-stick ceramic coated, Z11CG10X1 AirFry & Grill Set, Z11CR10X0 Baking and roasting grid (standard), Z11GT10X3 Glass roasting dish, 5,4l, Z11GU20X0 Glasspan, Z11SZ00X0 SeamlessCombination mounting kit, Z11SZ80G0 SeamlessCombination 60 + 29cm, Z11SZ90G0 SeamlessCombination 60 + 45cm, Z12CB10A0 Baking tray, enamelled, Z12CL10A0 Lid for professional pan, enamelled, Z12CM10A0 Moussaka pan, enamelled, Z12CN10A0 Professional pan, enamelled, Z12CP10A0 Pizza pan, enamelled, Z12CU10A0 Multipurpose pan, enamelled, Z13CR10X0 Baking and roasting grid (steam), Z13CV06S0 Decor strip, Z1608CX0 Full ext rails, level independent, pyro, Z1650BE0 Half tray, Z1655CA0 Air Fry & Grill tray, Z1913X0 Baking Stone, Z19DD10X0 Steam set for ovens

Built-in oven Vario Steam with Slide & Hide® - an easy to handle door that gently disappears under the oven. Home Connect - control your oven via the App.

- ✓ 4.1-inch Full Touch TFT Display: easy, intuitive menu for smart and enjoyable cooking.
- ✓ Slide & Hide®: the easy-to-handle oven door that slides away for unrestricted access.
- ✓ Vario Steam: keeps food succulent in the middle and crisp on the outside.
- ✓ Steam Boost: quickly fills your oven with steam for ultimate flavour and texture.
- ✓ Circo Therm®: the smart solution for simultaneous baking and roasting on up to four levels.

**Features**

**Technical Data**

Construction type: ..... Built-in  
 Integrated Cleaning system: ..... Pyrolytic+Hydrolytic  
 Min. required niche size for installation (HxWxD): ..... 585-595 x 560-568 x 550 mm  
 Dimensions: ..... 595 x 596 x 548 mm  
 Dimensions of the packed product (HxWxD): .. 660 x 650 x 690 mm  
 Control Panel Material: ..... Stainless steel  
 Door Material: ..... Glass  
 Net weight: ..... 42.2 kg  
 Usable volume of cavity: ..... 71 l  
 Cooking method: ..... Reheat with steam, CircoTherm®, Bread Baking Setting, Full width grill, CircoTherm® gentle, Half width grill, Conventional heat, Conventional heat gentle, Pizza setting, low temperature cooking, Bottom heat, Hot air grilling, pre-heating, warming  
 Oven control: ..... electronic  
 Number of interior lights: ..... 1  
 Length of electrical supply cord: ..... 120.0 cm  
 EAN code: ..... 4242004266198  
 Number of cavities (2010/30/EC): ..... 1  
 Energy efficiency rating: ..... A+  
 Energy consumption per cycle conventional (2010/30/EC): 0.87 kWh/cycle  
 Energy consumption per cycle forced air convection (2010/30/EC): ..... 0.69 kWh/cycle  
 Energy efficiency index (2010/30/EC): ..... 81.2 %  
 Connection rating: ..... 3600 W  
 Fuse protection: ..... 16 A  
 Voltage: ..... 220-240 V  
 Frequency: ..... 50; 60 Hz  
 Plug type: ..... no plug (electrical connection by electrician)  
 Included accessories: ..... 2 x combination grid, 1 x universal pan



*N 90, BUILT-IN OVEN WITH ADDED STEAM  
FUNCTION, 60 X 60 CM, GRAPHITE-GREY  
B64VS71G0B*

#### Features

- Oven with 20 heating methods: Top/bottom heat, Full surface grill, Centre surface grill, Bread baking, Bottom heat, Low temperature cooking, Plate warming, Keep warm, Conventional heat gentle, Reheat with steam, Dough proving, Circo-roasting, Bread Baking Setting, warming, 4D Hot air, Top/bottom heat

#### Design

- Graphite-Grey Edition
- Touch control
- Cavity inner surface: enamel anthracite

#### Features

- HomeConnect ready on WLAN
- Oven Assistant with Voice Control
- Door lock during pyrolytic cleaning
- Control panel lock Automatic safety switch off Residual heat indicator Start button Door contact switch
- Full glass inner door

#### Programmes/functions

- Temperature range 40 °C - 200 °C
- LED light, On/off button
- Electronic clock timer
- Slide&Hide® with rotating handle
- Water tank empty indicator
- Location of water tank: Outside cavity
- SoftClose, SoftOpen
- Quadruple glazed door glazed CoolTouch door
- 30 °C - Very low door temperature
- Temperature proposal
- Actual temperature display Heating up indicator
- cookControl Plus
- Rapid heat
- steam boost - add for 3min intensive steam with a touch of a button.
- There are different steam intensities selectable: steam level high, steam level middle, steam level low
- Cooling fan
- Stainless-steel fan

#### Level independent telescopic rails

- 4 shelf positions
- Available as an accessory, pyrolytic proof

#### Cleaning

- Pyrolytic cleaning
- EasyClean

#### Accessories

- 2 x combination grid, 1 x universal pan

#### Performance/technical information

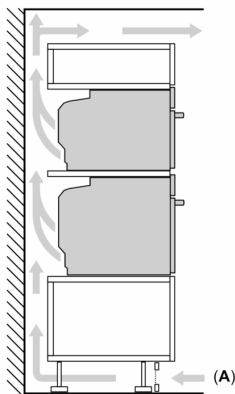
- 120 cm Cable length
- Nominal voltage: 220 - 240 V

- Total connected load electric: 3.6 KW
- Energy efficiency rating (acc. EU Nr. 65/2014): A+
- Energy consumption per cycle in conventional mode:0.87 kWh
- Energy consumption per cycle in fan-forced convection mode:0.69 kWh
- Number of cavities: Main cavity Heat source: electrical Cavity volume:71 litre
- Appliance dimension (hxwxh): 595 mm x 596 mm x 548 mm
- Niche dimension (hxwxh): 585 mm - 595 mm x 560 mm - 568 mm x 550 mm
- Please refer to the dimensions provided in the installation manual

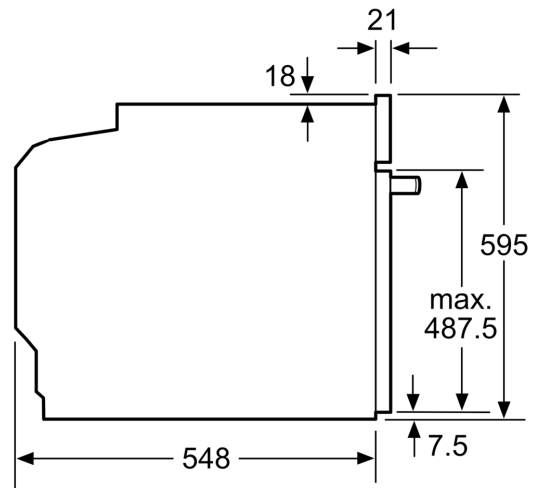
N 90, BUILT-IN OVEN WITH ADDED STEAM  
FUNCTION, 60 X 60 CM, GRAPHITE-GREY  
B64VS71G0B

Dimensioned drawings

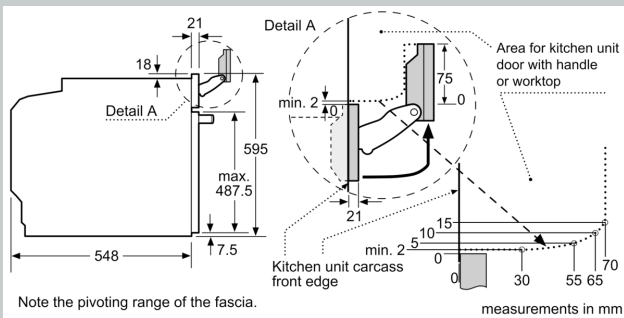
Installing two appliances on top of each other  
Air exchange



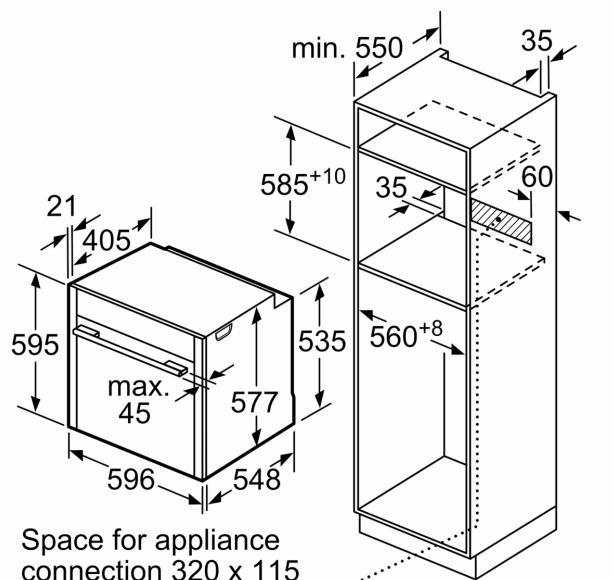
A: Air inlet  $\geq 200 \text{ cm}^2$



measurements in mm

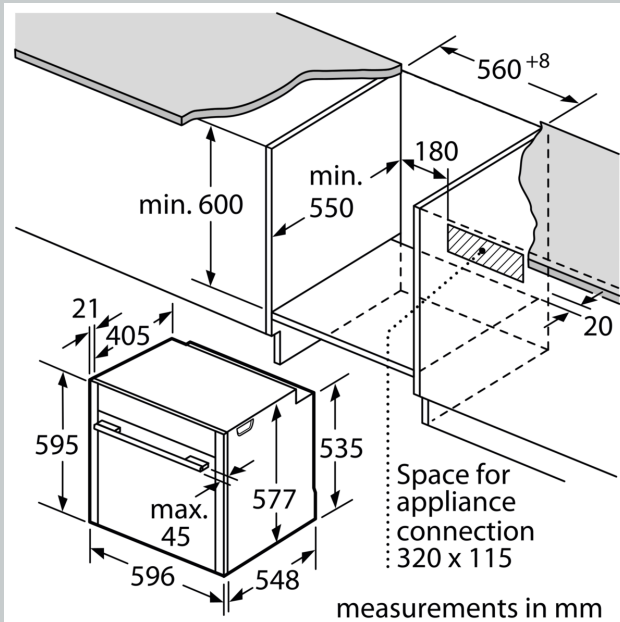


measurements in mm



measurements in mm

## Dimensioned drawings



If the appliance will be installed underneath a hob, the following worktop thicknesses (including substructure if necessary) must be taken into account.

Hob type	min. worktop thickness	
	fitted	flush
Induction hob	37 mm	38 mm
Full surface Induction hob	47 mm	48 mm
Gas hob	30 mm	38 mm
Electric hob	27 mm	30 mm