

N 50, BUILT-IN DOUBLE OVEN U2ACM7HH0B



Double built-in oven - perfect for grilling, baking and roasting of multiple dishes at the same time.

- ✓ Dual cleaning options: Pyrolytic cleaning programmes - just let the oven interior clean itself. EasyClean - the quick and easy option for day to day maintenance.
- ✓ Home Connect - Unleash your creativity via app.
- ✓ SinglePoint MeatProbe - ensures meats are cooked perfectly every time
- ✓ Cliprails - Place dishes exactly where you want them in your oven.

Features

Technical Data

Construction type: Built-in
 Dimensions: 888 x 594 x 550 mm
 Dimensions of the packed product (HxWxD): . 960 x 670 x 690 mm
 Control Panel Material: Glass
 Door Material: Glass
 Net weight: 60.7 kg
 Usable volume of cavity: 71 l
 Cooking method: Bread Baking Setting, Full width grill, CircoTherm® gentle, Hot Air, Conventional heat, Pizza setting, Bottom heat, Hot air grilling
 Oven control: electronic
 Number of interior lights: 1
 EAN code: 4242004245858
 Energy efficiency rating: A
 Energy consumption per cycle conventional (2010/30/EC): 1.02 kWh/cycle
 Energy consumption per cycle forced air convection (2010/30/EC): 0.81 kWh/cycle
 Energy efficiency class (2010/30/EC) - cavity 2: B
 Energy consumption per cycle conventional - cavity 2 (2010/30/EC): 0.83 kWh/cycle
 Energy efficiency index (2010/30/EC): 95.3 %
 Energy efficiency index cavity 2 (2010/30/EC): 120.3 %
 Connection rating: 6300 W
 Fuse protection: 32 A
 Voltage: 220-240 V
 Frequency: 50 Hz
 Plug type: no plug (electrical connection by electrician), fixed connection
 Included accessories: 3 x combination grid, 1 x universal pan



Optional accessories

Z11AB15A0	Baking tray, non-stick ceramic coated
Z11AU15A0	Universal pan, non-stick ceramic coated
Z11CR10X0	Baking and roasting grid (standard)
Z11GT10X3	Glass roasting dish, 5,4l
Z11TI15X0	Cliprails
Z13CR10X0	Baking and roasting grid (steam)
Z1608BX0	Full ext rails, level independent
Z1655CA0	Air Fry & Grill tray
Z1913X0	Baking Stone
Z19DD10X0	Steam set for ovens



N 50, BUILT-IN DOUBLE OVEN U2ACM7HHOB

Features

Design

- Elongated designed dials, Retractable control dials, Bevelled oval controls
- Cavity (inner surface) top: Enamel grey
- Cavity (inner surface) bottom: enamel anthracite
- LCD-display control (white)
- Electronic clock timer
- Temperature proposal
- Automatic start Actual temperature display Heating up indicator Temperature probe
- Interior halogen light, On/off button
- Bar handle
- Full glass inner doors

Features

- HomeConnect ready on WLAN
- Door lock during pyrolytic cleaning
- Control panel lock Automatic safety switch off Residual heat indicator Door contact switch

Top oven additional features

- Oven with 4 heating methods: Top/bottom heat, Full surface grill, Small area grill, Bottom heat
- Cavity volume: 34 Litre
- Door hinge small cavity: bottom

Main oven additional features

- Oven with 8 heating methods: CircoTherm®, Top/bottom heat, Circo-roasting, Full surface grill, CircoTherm® intensive, Bread baking, Bottom heat, CircoTherm® gentle
- Door hinge big cavity: Drop down door
- Single-point meat probe
- Rapid heat
- Cavity volume: 71 litre
- 4 shelf positions

Cleaning

Top oven

- Pyrolytic cleaning in upper oven

Main oven

- Pyrolytic cleaning
- EasyClean
- Full glass inner door

Accessories

- 1 Clip rail, Stop function

Performance/technical information

- Energy efficiency rating (acc. EU Nr. 65/2014): B(at a range of energy efficiency classes from A+++ to D)
- Energy consumption per cycle in conventional mode:0.83 kwh
- Number of cavities: Top Cavity Heat source: electrical
- Energy efficiency rating (acc. EU Nr. 65/2014): B(at a range of energy efficiency classes from A+++ to D)

- Energy consumption per cycle in conventional mode:0.83 kWh
- Energy consumption per cycle in fan-forced convection mode:0.81 kwh
- Number of cavities: Main Cavity Heat source: electrical
- Nominal voltage: 220 - 240 V
- Total connected load electric: 6.3 KW
- Appliance dimension (hxwxh): 888 mm x 594 mm x 550 mm
- Niche dimension (hxwxh): 875 mm - 888 mm x 560 mm - 568 mm x 550 mm
- Please refer to the dimensions provided in the installation manual

Top oven

Level independent telescopic rails

Top oven

- Oven with 8 heating methods: CircoTherm®, Top/bottom heat, Circo-roasting, Full surface grill, CircoTherm® intensive, Bread baking, Bottom heat, CircoTherm® gentle

Programmes/functions

Top Oven

- Cooling fan
- 3 x combination grid, 1 x universal pan
- 30 °C

Main Oven

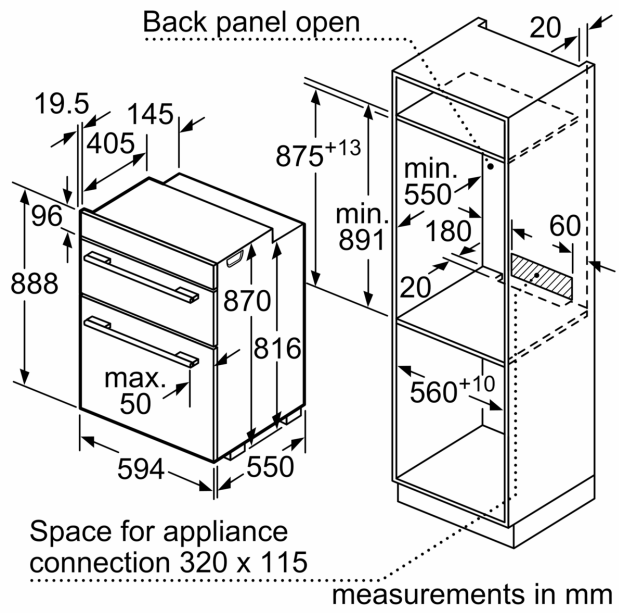
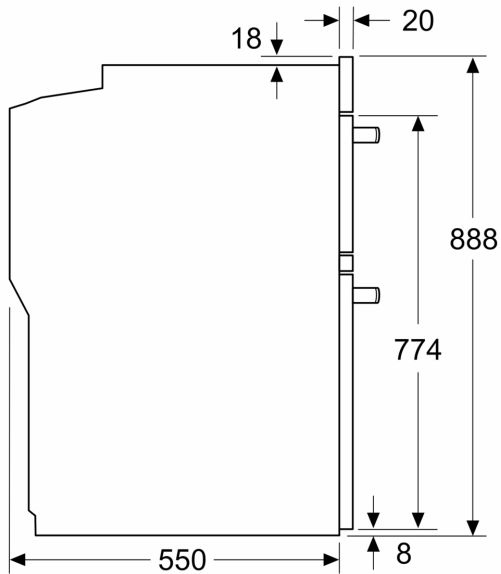
- 30 °C - Very low door temperature

Technical information

N 50, BUILT-IN DOUBLE OVEN
U2ACM7HHOB

Dimensioned drawings

measurements in mm



measurements in mm