

N 50, BUILT-IN WARMING DRAWER, 60 X 14 CM,  
 STAINLESS STEEL  
 N1AHA01NOB



A 14cm high warming drawer that can link with a 45cm compact oven to fit perfectly into the 60 cm oven niche.

- ✓ Push & Pull – One gentle touch opens and closes your drawer.
- ✓ Stepless temperature control - The warming drawer makes choosing easy with our stepless temperature control from 40°-80°C.

#### Features

##### Technical Data

Construction type: ..... Built-in  
 Maximum number of plates: ..... 14  
 Maximum number of espresso cups: ..... 64  
 Dimensions: ..... 140 x 594 x 540 mm  
 Dimensions of the packed product (HxWxD): . 210 x 660 x 660 mm  
 Min. required niche size for installation (HxWxD): . 140 x 560 x 550 mm  
 EAN code: ..... 4242004222484  
 Fuse protection: ..... 6 A  
 Voltage: ..... 220-240 V  
 Frequency: ..... 60; 50 Hz  
 Plug type: ..... GB plug  
 Included accessories: ..... 1 x Anti-slip mat



*N 50, BUILT-IN WARMING DRAWER, 60 X 14 CM,  
STAINLESS STEEL  
N1AHA01NOB*

## Features

### Design

- Can accommodate up to:
  - -14 plates
  - -64 espresso cups
- Cavity inner surface: stainless steel
- Elongated designed dials
- Push-Pull opening mechanism

### Programmes/functions

- 4 Functions: keeping drinks and food warm, pre-warming of tableware, yeast dough proving, thawing of delicate foods

### Accessories

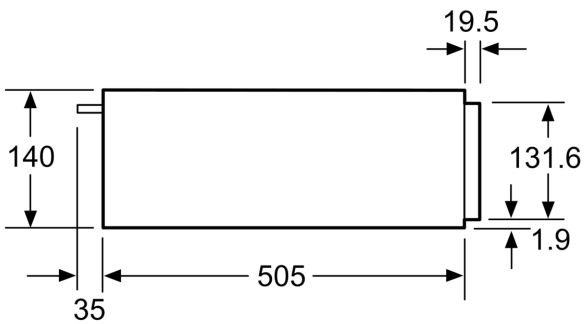
- 1 x Anti-slip mat

### Technical information

- Cavity volume: 23 l
- Loading up to 15 kg
- Power cord length 150 cm Cable length
- Total connected load electric: 0.4 KW
- Nominal voltage: 220 - 240 V
- Appliance dimension (hxwx): 140 mm x 594 mm x 540 mm
- Niche dimension (hxwx): 140 mm x 560 mm - 568 mm x 550 mm
- Please refer to the dimensions provided in the installation manual

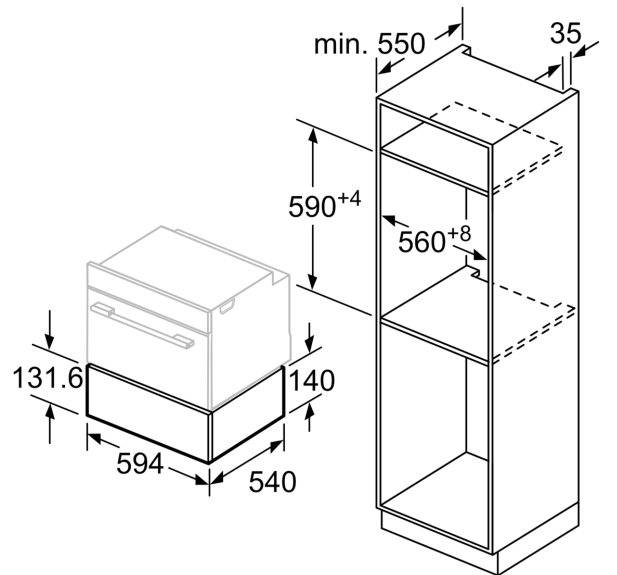
N 50, BUILT-IN WARMING DRAWER, 60 X 14 CM,  
 STAINLESS STEEL  
 N1AHA01NOB

## Dimensioned drawings



Compact ovens with an appliance height of 455 mm can be installed above a warming drawer. An intermediate floor is not required.

measurements in mm



measurements in mm