

## N 50, BUILT-UNDER DOUBLE OVEN J1ACE2HN0B


**A**


Built under double oven - twice as flexible, twice as fast - bake or roast multiple dishes at the same time.

- ✓ EasyClean - this special cleaning aid provides uncomplicated, energy-saving cleaning of the oven interior.
- ✓ LCD-Display - simple, straightforward with large characters for clear reading
- ✓ Cliprails - Place dishes exactly where you want them in your oven.

### Features

#### Technical Data

Construction type: ..... Built-in  
 Integrated Cleaning system: ..... No  
 Dimensions: ..... 717 x 594 x 550 mm  
 Dimensions of the packed product (HxWxD): . 790 x 660 x 690 mm  
 Control Panel Material: ..... Glass  
 Door Material: ..... Glass  
 Net weight: ..... 47.4 kg  
 Usable volume of cavity: ..... 47 l  
 Cooking method: ..... CircoTherm® gentle, Hot Air, Conventional heat, Pizza setting, Hot air grilling, Full width grill  
 Oven control: ..... mechanical  
 Number of interior lights: ..... 1  
 EAN code: ..... 4242004221982  
 Energy efficiency rating: ..... A  
 Energy consumption per cycle conventional (2010/30/EC): 0.84 kWh/cycle  
 Energy consumption per cycle forced air convection (2010/30/EC): ..... 0.71 kWh/cycle  
 Energy efficiency class (2010/30/EC) - cavity 2: ..... B  
 Energy consumption per cycle conventional - cavity 2 (2010/30/EC): ..... 0.83 kWh/cycle  
 Energy efficiency index (2010/30/EC): ..... 94.7 %  
 Energy efficiency index cavity 2 (2010/30/EC): ..... 120.3 %  
 Connection rating: ..... 5300 W  
 Fuse protection: ..... 25 A  
 Voltage: ..... 220-240 V  
 Frequency: ..... 50 Hz  
 Plug type: ..... no plug (electrical connection by electrician), fixed connection  
 Included accessories: ..... 2 x combination grid, 1 x universal pan

### Optional accessories

Z11CR10X0	Baking and roasting grid (standard)
Z11GT10X3	Glass roasting dish, 5,4l
Z11T115X0	Cliprails
Z13CR10X0	Baking and roasting grid (steam)
Z11AB15A0	Baking tray, non-stick ceramic coated
Z11AU15A0	Universal pan, non-stick ceramic coated



## N 50, BUILT-UNDER DOUBLE OVEN J1ACE2HNOB

### Features

- LCD Display (White)

#### Features

- Control panel lock
- Interior halogen light
- Cavity volume: 34 Litre
- Door hinge small cavity: bottom
- Cavity (inner surface) top: Enamel grey
- EasyClean
- Full glass inner door
- 1 Clip rail, Stop function
- Cavity (inner surface) bottom: enamel anthracite
- Door hinge big cavity: Drop down door

#### Top oven additional features

- Oven with 4 heating methods: Top/bottom heat, Full surface grill, Small area grill, Bottom heat
- Temperature range 50 °C - 275 °C

#### Main oven additional features

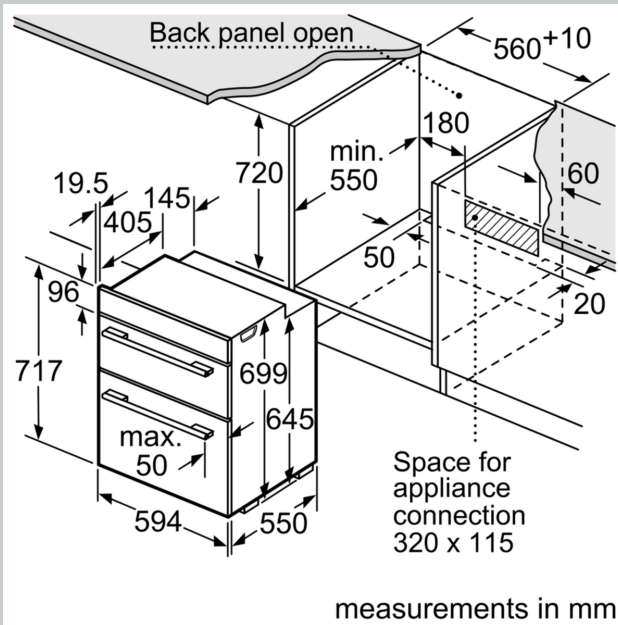
- 2 x combination grid, 1 x universal pan

#### Performance/technical information

- Nominal voltage: 220 - 240 V
- Appliance dimension (hxwxh): 717 mm x 594 mm x 550 mm
- Please refer to the dimensions provided in the installation manual

N 50, BUILT-UNDER DOUBLE OVEN  
J1ACE2HNOB

Dimensioned drawings

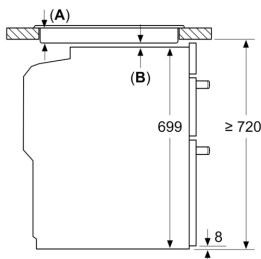


measurements in mm

If the appliance will be installed underneath a hob, the following worktop thicknesses (including substructure if necessary) must be taken into account.

Hob type	min. worktop thickness	
	fitted	flush
Induction hob	39	40
Full-surface induction hob	49	50
Gas hob	29	40
Electric hob	29	32

measurements in mm  
Installation with a hob



- A: Recessed depth 29-50 mm.  
See hob dimensional drawing.
- B: Min. distance:  
Induction hob: 5 mm  
Gas hob: 5 mm  
Electric hob: 2 mm

measurements in mm

