

Series 2, Gas hob, 60 cm, Black PBP6B6B60



Optional accessories

HEZ298105	Simmer plate
HEZ298114	Small pot support

Gas hob with side-mounted controls: the desired cooking zones can be conveniently operated from the side.

- **Continuous cast-iron finish pan supports:** for maximum stability.
- **Biomethane-ready:** your gas hob can also be powered with renewable biomethane gas.
- **Ergonomic control knobs with raised center for precise adjustments.**
- **Surface colour: elegant black enamel design.**
- **Heavy-duty continuous surface grates can be easily and quickly cleaned in the dishwasher.**

Technical Data

Appliance type: gas hob w integrated controls
Installation type:Built-in
Heating type:Gas
Number of cooking zones:4
Type of control setting devices: sword knobs
Min. required niche size for installation (HxWxD):45 x 560-562 x 480-492 mm
Width of the appliance:580 mm
Dimensions: 56 x 580 x 510 mm
Dimensions of the packed product (HxWxD): 141 x 651 x 578 mm
Net weight:7.1 kg
Gross weight: 8.0 kg
Residual heat indicator: without
Location of control panel:Lateral
Basic surface material: Enamel
Color of surface:Black
Length of electrical supply cord: 100.0 cm
EAN code:4242002833910
Gas connection rating: 7400 W
Fuse protection:3 A
Voltage: 220-240 V
Frequency: 60; 50 Hz



Series 2, Gas hob, 60 cm, Black PBP6B6B60

Gas hob with side-mounted controls: the desired cooking zones can be conveniently operated from the side.

Design

- Enamel surface, Black
- cast iron finish pan supports with rubber feet

Usage convenience

- Design co-ordinated control dials: access knobs on the side with strong grip for effortless turning.
- Ignition via control dials: just push and turn the dials to ignite the flame.

Burners and power

- 4 gas burners:
- Left front: high-speed burner up to 3 kW (depending on gas type)
- Left rear: Standard burner up to 1.7 KW (depending on gas type)
- Right rear: standard burner up to 1.7 KW (depending on gas type)
- Right front: economy burner up to 1 KW (depending on gas type)

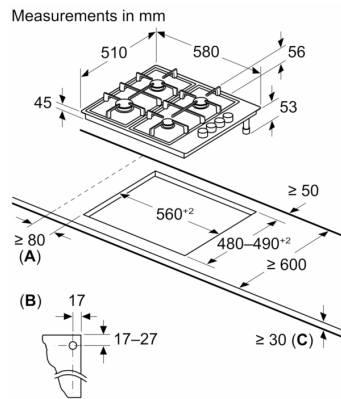
Safety

- Flame failure safety device: prevents unwanted gas flow when flame goes out.

Installation (gas types & measurements)

- Usable for: Nat gas L/LL G25/20mbar(DE)
- NG H/E 20mbar, E+ 20/25mbar Natural gas H 25 mbar (HU) Natural gas L 25 mbar (NL) Liquid gas G30,31 28-30/37mbar Liquid gas G30 37 mbar (PL) Liquid gas 50 mbar
- Pre-set for natural gas
- Nozzle set for LPG jets included. Connection to 28-30/37 mbar bottled gas. Nozzles for all other gas types can be ordered via the customer service. For nozzle change, please contact the customer service.
- Dimensions of the product (HxWxD mm): 56 x 580 x 510
- Required niche size for installation (HxWxD mm) : 45 x 560 x (480 - 492)
- Min. worktop thickness: 30 mm
- Power cord: 1 m
- Connected load: 7.4 KW

Series 2, Gas hob, 60 cm, Black PBP6B6B60



A: Min. distance from the hob cut-out to the wall

B: Position of gas connection in the cut-out

C: With fitted oven underneath possibly more; see space requirements for the oven