

N 30, BUILT-IN OVEN, 60 X 60 CM, STAINLESS
STEEL
B1GCCOANOB



A



Included accessories

1 x combination grid, 1 x universal pan

Optional accessories

Z11AB15A0 Baking tray, non-stick ceramic coated, Z11AU15A0 Universal pan, non-stick ceramic coated, Z11CR10X0 Baking and roasting grid (standard), Z11GT10X3 Glass roasting dish, 5,4l, Z11GU20X0 Glasspan, Z11TI15X0 Cliprails, Z12CL10A0 Lid for professional pan, enamelled, Z12CN10A0 Professional pan, enamelled, Z13CR10X0 Baking and roasting grid (steam), Z13CV05S0 Cover Strip, Z1608BX0 Full ext rails, level independent, Z1650BE0 Half tray, Z1655CA0 Air Fry & Grill tray, Z1913X0 Baking Stone

✓ CircoTherm® – Smart hot-air solution that lets you bake on up to three levels at once.

✓ LED-Display - simple, straightforward for clear reading

Features

Technical Data

Built-in / Free-standing: Built-in
 Integrated Cleaning system: No
 Min. required niche size for installation (HxWxD): 585-595 x 560-568 x 550 mm
 Dimensions: 595 x 594 x 548 mm
 Dimensions of the packed product (HxWxD): . 675 x 660 x 690 mm
 Control Panel Material:Stainless steel
 Door Material: Glass
 Net weight: 31.6 kg
 Usable volume (of cavity) - cavity 1: 71 l
 Cooking method: Full width grill, CircoTherm® gentle, Hot Air, Conventional heat, Hot air grilling
 Oven control: mechanical
 Number of interior lights: 1
 Length electrical supply cord: 120.0 cm
 EAN code:4242004234036
 Number of cavities (2010/30/EC): 1
 Energy efficiency rating: A
 Energy consumption per cycle conventional (2010/30/EC): 0.97 kWh/cycle
 Energy consumption per cycle forced air convection (2010/30/EC): 0.81 kWh/cycle
 Energy efficiency index (2010/30/EC):95.3 %
 Connection Rating: 2990 W
 Fuse protection: 13 A
 Voltage: 220-240 V
 Frequency: 50; 60 Hz
 Plug type: no plug (electrical connection by electrician)
 Included accessories: 1 x combination grid, 1 x universal pan



*N 30, BUILT-IN OVEN, 60 X 60 CM, STAINLESS
STEEL
BIGCCOANOB*

Features

Design

- LED Display (Red)
- Cavity inner surface: enamel anthracite

Features

- Control panel lock
- Interior halogen light

Cleaning

Programmes/functions

- Cooling fan

Accessories

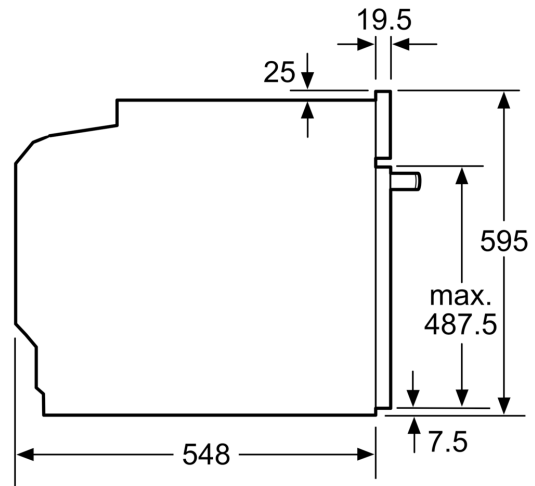
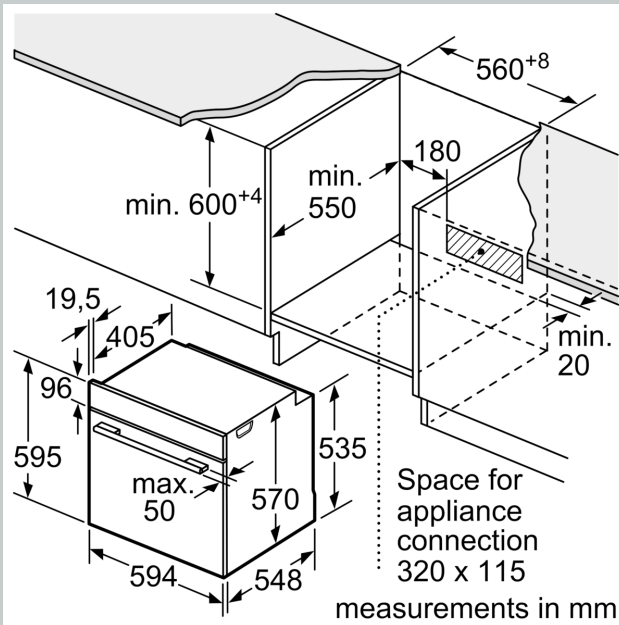
- 1 x combination grid, 1 x universal pan

Performance/technical information

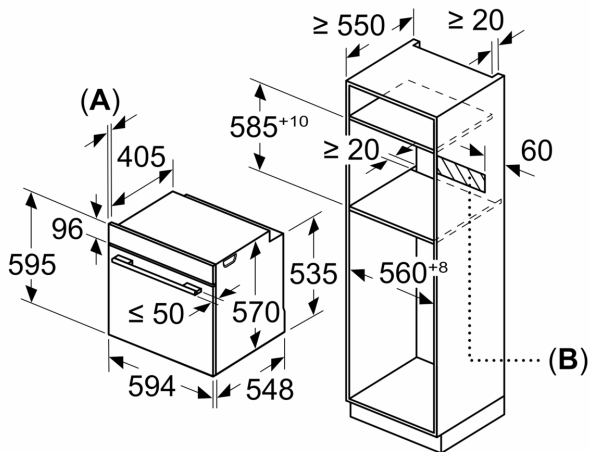
- Energy efficiency rating (acc. EU Nr. 65/2014): A
- Energy consumption per cycle in conventional mode:0.97 kWh
- Energy consumption per cycle in fan-forced convection mode:0.81 kWh
- Number of cavities: Main cavity Heat source: electrical Cavity volume:71 litre
- Total connected load electric: 2.99 KW
- 120 cm Cable length
- Nominal voltage: 220 - 240 V
- Appliance dimension (hxwxh): 595 mm x 594 mm x 548 mm
- Niche dimension (hxwxh): 585 mm - 595 mm x 560 mm - 568 mm x 550 mm
- Please refer to the dimensions provided in the installation manual

N 30, BUILT-IN OVEN, 60 X 60 CM, STAINLESS STEEL
 BIGCCOANOB

Dimensioned drawings



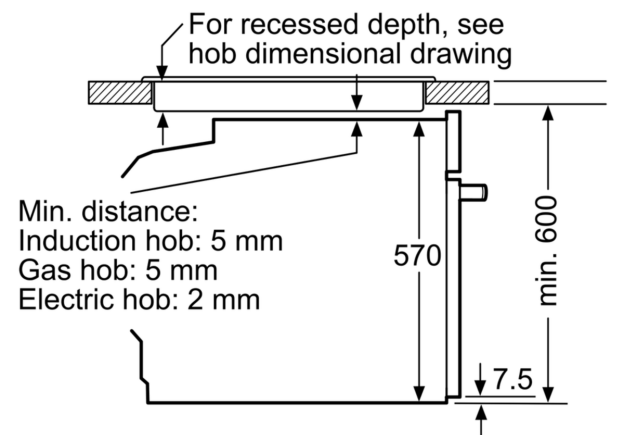
Measurements in mm



A: 19,5 mm

B: Space for appliance connection 320 x 115 mm

Installation with a hob.



measurements in mm