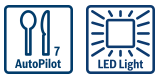
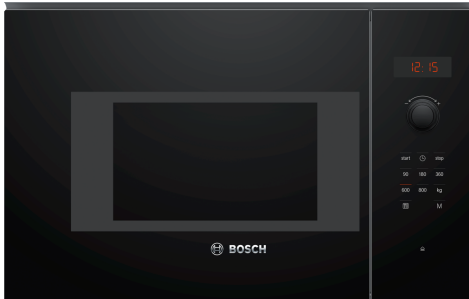


**Series 4, Built-in microwave oven, 60 x 38 cm, Black BFL523MB0B**



**Included accessories**

1 x Turntable

**Optional accessories**

HEZ86D000 Steamer Cooker Accessory for Microwave

**The built-in microwave for the 38 cm niche: use it for thawing, heating and perfect preparation of foods.**

- **AutoPilot 7:** every dish is a perfect success thanks to 7 pre-set automatic programmes.
- **Red LED display control:** easy-to-use thanks to clear time display.
- **Pop-out controls:** for an easy to clean front.
- **LED lighting:** perfect illumination of foods with minimum energy consumption.

**Technical Data**

Type of micro-wave oven: .....	MW only
Type of control: .....	Electronic
Dimensions: .....	382 x 594 x 317 mm
Cavity dimensions: .....	201.0 x 308.0 x 282.0 mm
Length of electrical supply cord: .....	130.0 cm
Net weight: .....	15.8 kg
Gross weight: .....	18.1 kg
EAN code: .....	4242005039128
Maximum micro-wave power: .....	800 W
Connection rating: .....	1270 W
Fuse protection: .....	10 A
Voltage: .....	230-240 V
Frequency: .....	50 Hz
Plug type: .....	GB plug
Included accessories: .....	1 x Turntable



## **Series 4, Built-in microwave oven, 60 x 38 cm, Black BFL523MB0B**

**The built-in microwave for the 38 cm  
niche: use it for thawing, heating and  
perfect preparation of foods.**

---

### **Design**

- LED Display, red display
- Side opening door, left hinged
- 25.5 cm Glass turntable
- Cavity inner surface: stainless steel
- Electronic clock timer
- Rotary dial, Retractable control dials, Touch controls, round, Start button
- Touch key operation

### **Features**

- Automatic safety switch off
- Door contact switch
- AutoPilot, 7
- Electronic open button
- LED light
- Integral cooling fan

### **Programmes/functions**

- Maximum microwave power level: 800 W and the following options  
180 W, 360 W, 600 W, 800 W, 90 W
- 4 defrost and 3 cooking programmes in microwave function
- 1 memory setting

### **Accessories**

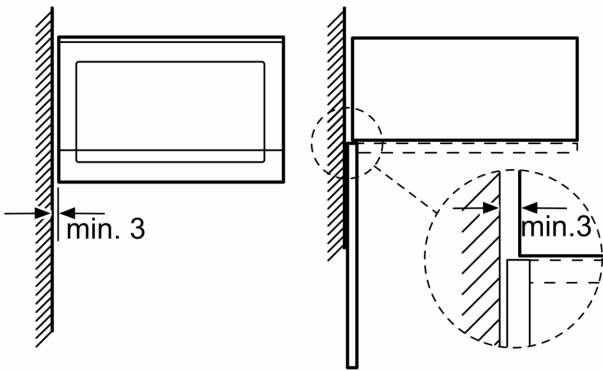
- 1 x Turntable

### **Performance/technical information**

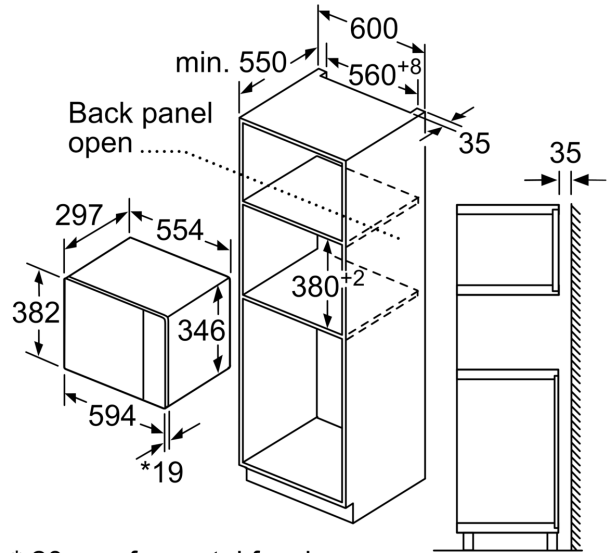
- Cavity volume: 20 l
- 130 cm Cable length
- Total connected load electric: 1.27 KW
- Nominal voltage: 230 - 240 V
- Appliance dimension (hxwxd): 382 mm x 594 mm x 317 mm
- Niche dimension (hxwxd): 362 mm - 365 mm x 560 mm - 568 mm x 300 mm
- For installation into a 60 cm wide wall unit, installation in tall housing
- Please refer to the dimensions provided in the installation manual

**Series 4, Built-in microwave oven, 60  
x 38 cm, Black  
BFL523MB0B**

Microwave,  
corner installation



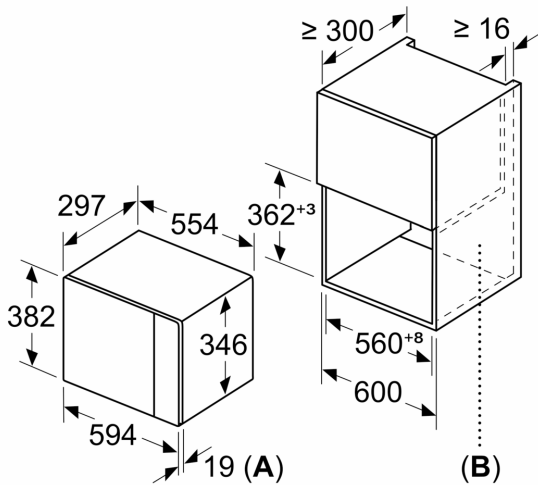
Measurements in mm



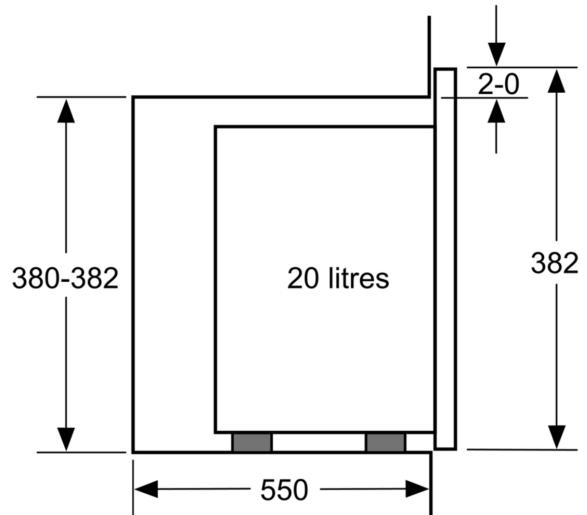
\* 20 mm for metal fascia

measurements in mm

Measurements in mm



**A:** 20 mm for metal fascia  
**B:** Back panel open



measurements in mm

