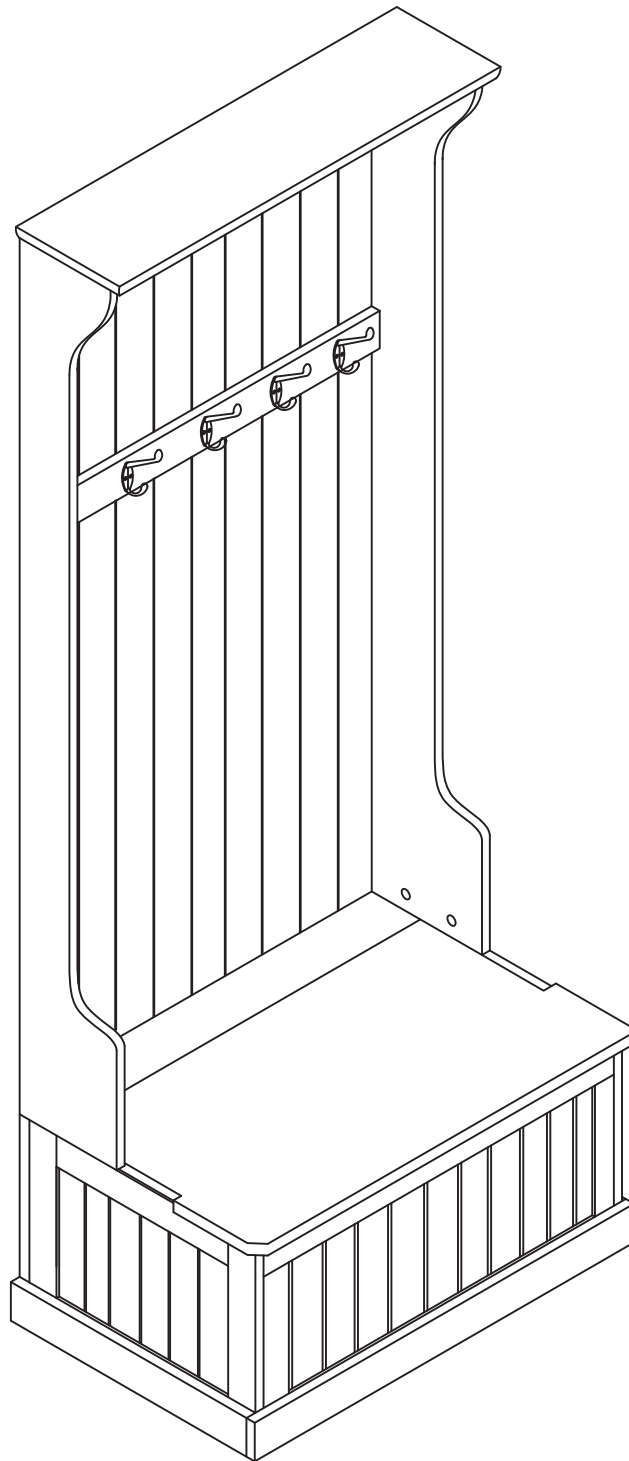


ALL IN ONE HALLWAY UNIT

Assembly Instructions- please keep for future reference

392/9188



Dimensions

Width - 65cm
Depth - 44cm
Height - 177cm

Important – Please read these instructions fully before starting assembly

If you need help or have damaged or missing parts, call the Customer Helpline: 0345 640 0800



Safety and Care Advice

Important – Please read these instructions fully before starting assembly

- Check you have all the components and tools listed on pages 2 and 3..

- Remove all fittings from the plastic bags and separate them into their groups.

- Keep children and animals away from the work area, small parts could choke if swallowed.

- Make sure you have enough space to layout the parts before starting.

- During assembly do not stand or put weight on the product, this could cause damage.

- Assemble the item as close to its final position (in the same room) as possible.

- Assemble on a soft level surface to avoid damaging the unit or your floor.

- Parts of the assembly will be easier with 2 people.



the using. Only use hand screwdrivers

- We do not recommend the use of power drill/drivers for inserting screws, as this could damage

Care and maintenance

- Only clean using a damp cloth and mild detergent, do not use bleach or abrasive cleaners.

- From time to time check that there are no loose screws on this unit.

- This product should not be discarded with household waste. Take to your local authority waste disposal centre.

Handy Hints

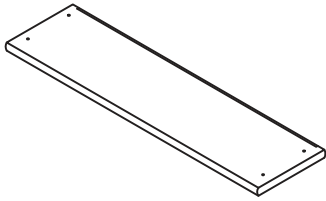
- Assemble all parts and bolts loosely during assembly, only once the product is complete should you fully tighten the bolts

- Regularly check and ensure that all bolts and fittings are tightend properly.

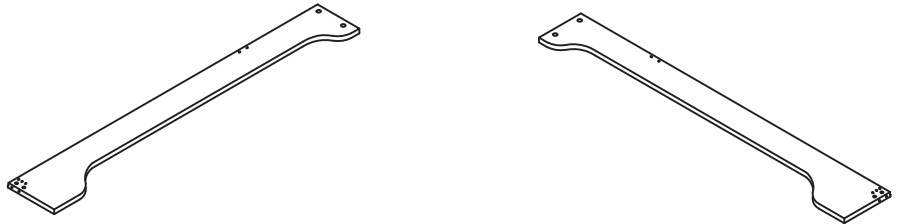
Note: if required the next page can be cut out and used as reference throughout the assembly. Keep this page with these instructions for future reference.

Components - Panels

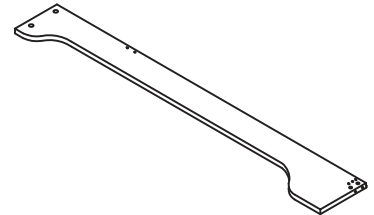
Please check you have all the panels listed below



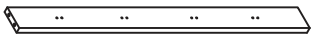
1 Top panel x 1
(65(w)cm x 21.5(d)cm)



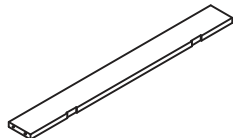
2 Upper right side panel x 1
(132(w)cm x 19.5(d)cm)



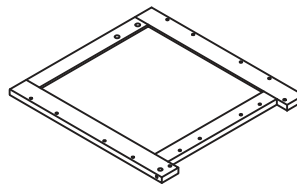
3 Upper left side panel x 1
(132(w)cm x 19.5(d)cm)



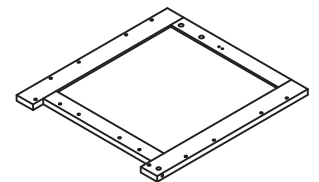
4 Hook base bar x 1
(59(w)cm x 5(d)cm)



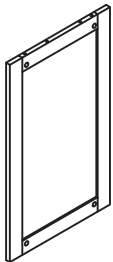
5 Long cross bar x 1
(59(w)cm x 8(d)cm)



6 Lower left side panel x 1
(43.5(w)cm x 42.5(d)cm)



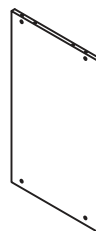
7 Lower right side panel x 1
(43.5(w)cm x 42.5(d)cm)



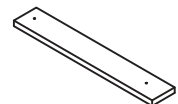
8 Lower back panel x 1
(59(d)cm x 37(w)cm)



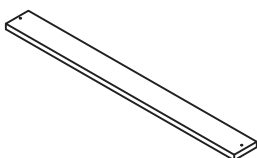
9 Front panel x 1
(59(d)cm x 37(w)cm)



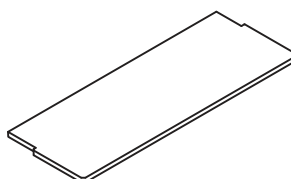
10 Bottom panel x 1
(59(w)cm x 39.3(d)cm)



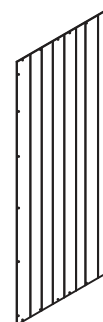
11 Short cross bar x 2
(42.5(w)cm x 8(d)cm)



12 Long cross bar x 1
(64.5(w)cm x 8(d)cm)



13 Cover panel x 1
(65(w)cm x 35.4(d)cm)



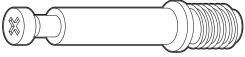
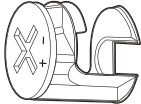




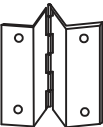










14 Upper back panel x 1
(134(w)cm x 61(d)cm)

Components - Fittings

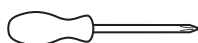
If you have damaged or missing components, call the **Customer Helpline: 0345 640 0800**

Please check you have all the fittings listed below

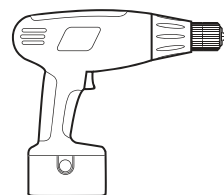
Note: The quantities below are the correct amount to complete the assembly. In some cases more fittings may be supplied than are required.

<p>A</p>  <p>35mm Male camlock x 24</p>	<p>B</p>  <p>Female camlock x 28</p>	<p>C</p>  <p>30mm Wooden dowel x 16</p>
<p>D</p>  <p>41mm Male camlock x 4</p>	<p>E</p>  <p>Nut x 4</p>	<p>F</p>  <p>12mm Screw x 16</p>
<p>G</p>  <p>Hinge x 2</p>	<p>H</p>  <p>Spring hinge x 1</p>	<p>I</p>  <p>25mm Screw x 4</p>
<p>J</p>  <p>12mm Screw x 5</p>	<p>K</p>  <p>20mm Screw x 24</p>	<p>L</p>  <p>Safety strap x 1</p>
<p>M</p>  <p>35mm Screw x 1</p>	<p>N</p>  <p>Washer x 2</p>	<p>O</p>  <p>Wall plug x 1</p>
<p>P</p>  <p>Hook x 4</p>	<p>Q</p>  <p>Lid x 8</p>	

Tools required



Phillips screwdriver
(medium & large)



Drill (for wall drilling only)

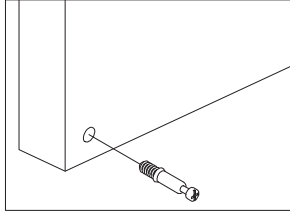
Ruler – Use this ruler to help correctly identify the screws



Using Camlocks

Step 1

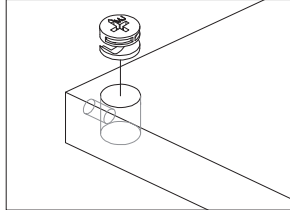
Connect the male camlock as directed in the assembly instructions using a screwdriver.



Step 2

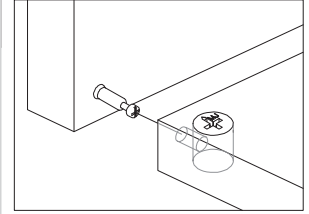
Insert the female camlock as shown in the instructions.

Note: ensure that the arrow on the top of the camlock points towards the entry hole for the male camlock.



Step 3

Push the male camlock into the entry hole.

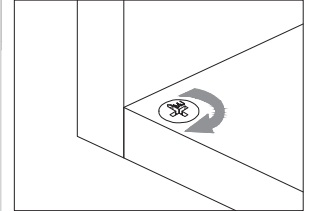


Step 4

Turn the female camlock clockwise with a screwdriver.

You should feel a click when the camlock is locked in place.

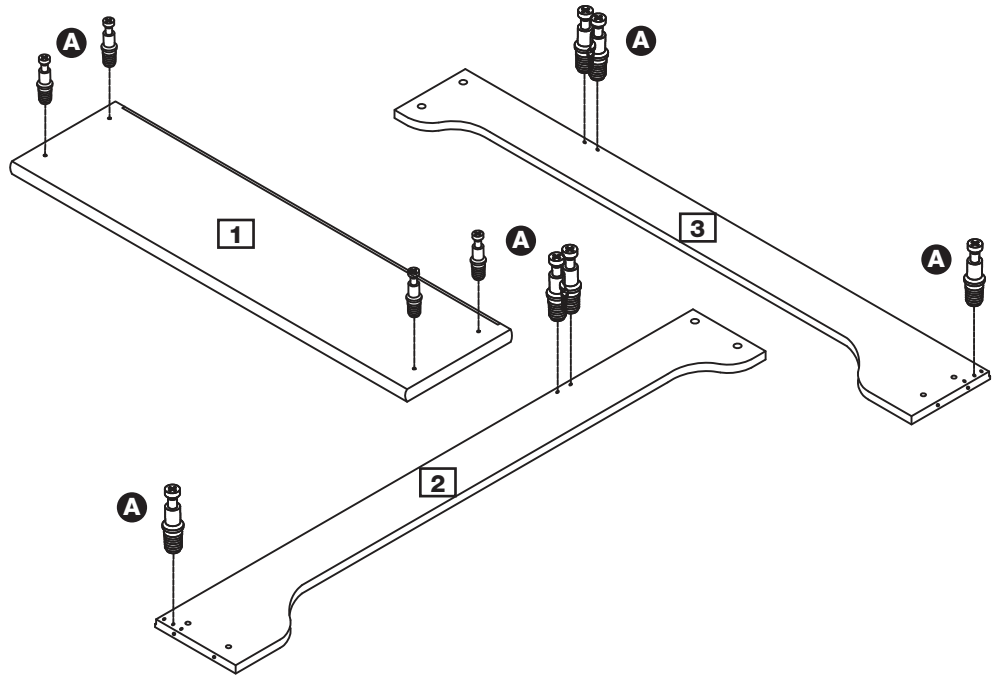
The joint is now secure.



Assembly Instructions

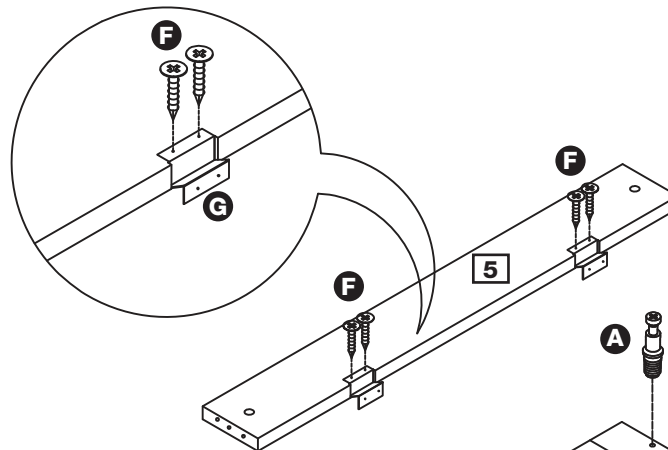
Step 1

Insert 10 x 35mm male camlock **A** into inside of top panel **1**, upper right side panel **2** and upper left side panel **3** as shown.



Step 2

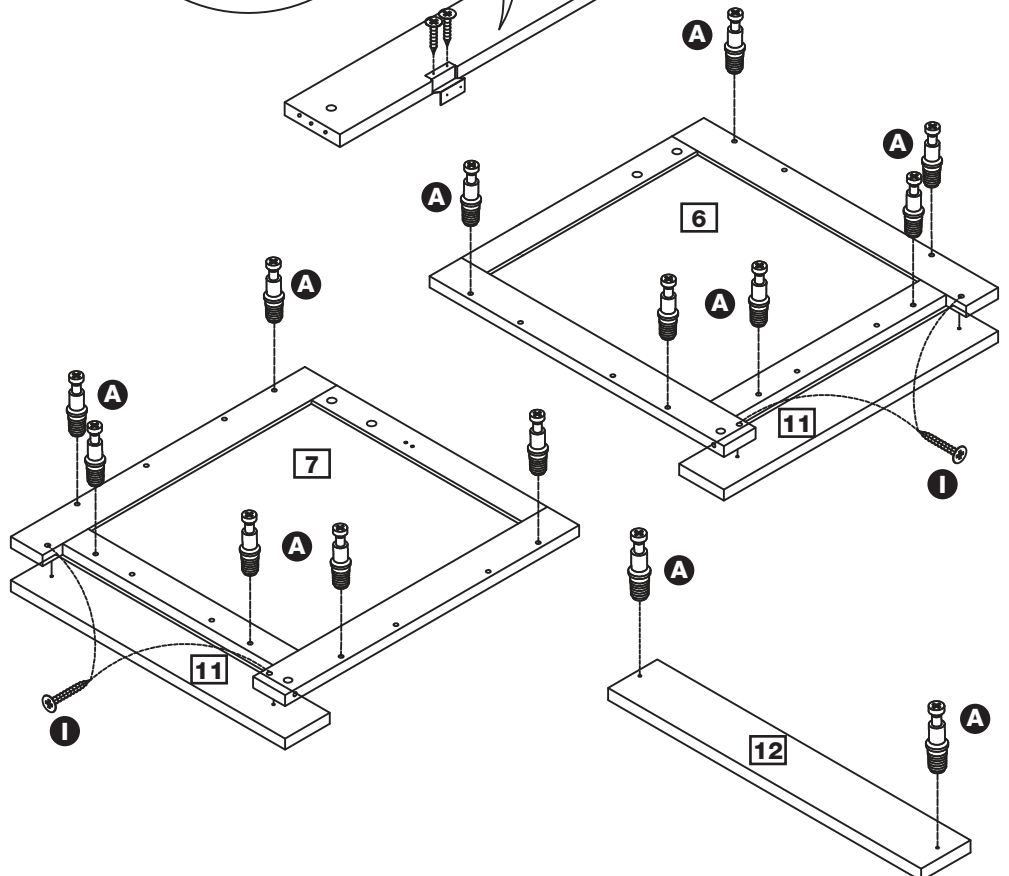
Fix 2 x hinge **G** on Long cross bar **5** using 4 x 12mm screw **F** as shown.



Step 3

Insert 14 x 35mm male camlock **A** into inside of lower left side panel **6**, lower right side panel **7** and long cross bar **12** as shown.

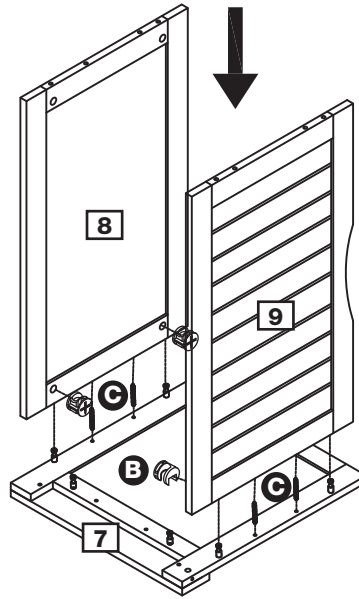
Attach 2 x short cross bar **11** to the lower left side panel **6** and lower right side panel **7** using 4 x 25mm screw **I** as shown.



Assembly Instructions

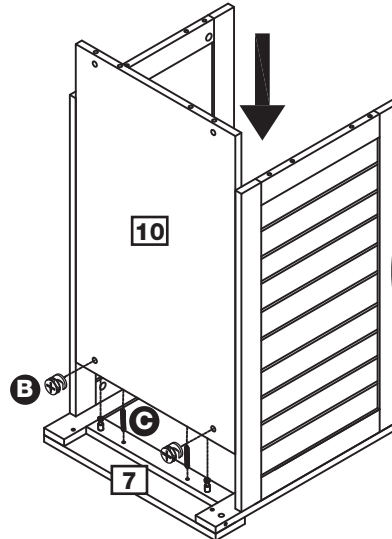
Step 4

Insert 4 x wooden dowel **C** into inside of lower right side panel **7**. Attach lower back panel **8** and front panel **9** to it using 4 x female camlock **B** as shown. Tighten female camlocks with a screwdriver. Please refer to the "Using Camlocks" section at the front of this instruction for further assistance.



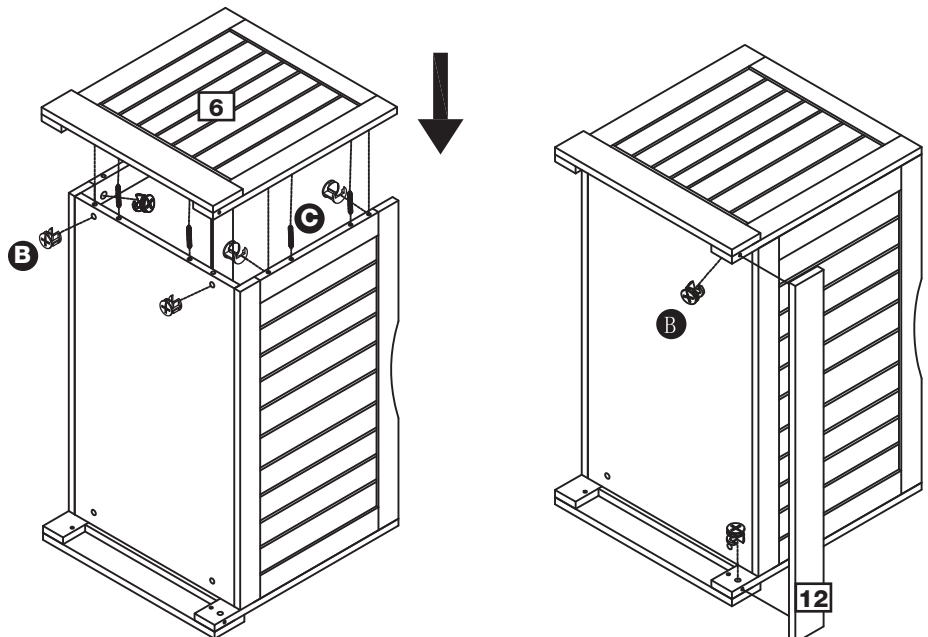
Step 5

Insert 2 x wooden dowel **C** into inside of lower right side panel **7**. Attach bottom panel **10** to it using 2 x female camlock **B** as shown. Tighten female camlocks with a screwdriver.



Step 6

Insert 6 x wooden dowel **C** into lower back panel **8**, front panel **9** and bottom panel **10**. Attach lower left side panel **6** to them using 6 x female camlock **B** as shown. Attach long cross bar **12** to the lower left side panel **6** and the lower right side panel **7** using 2 x female camlock as shown. Tighten female camlocks with a screwdriver.

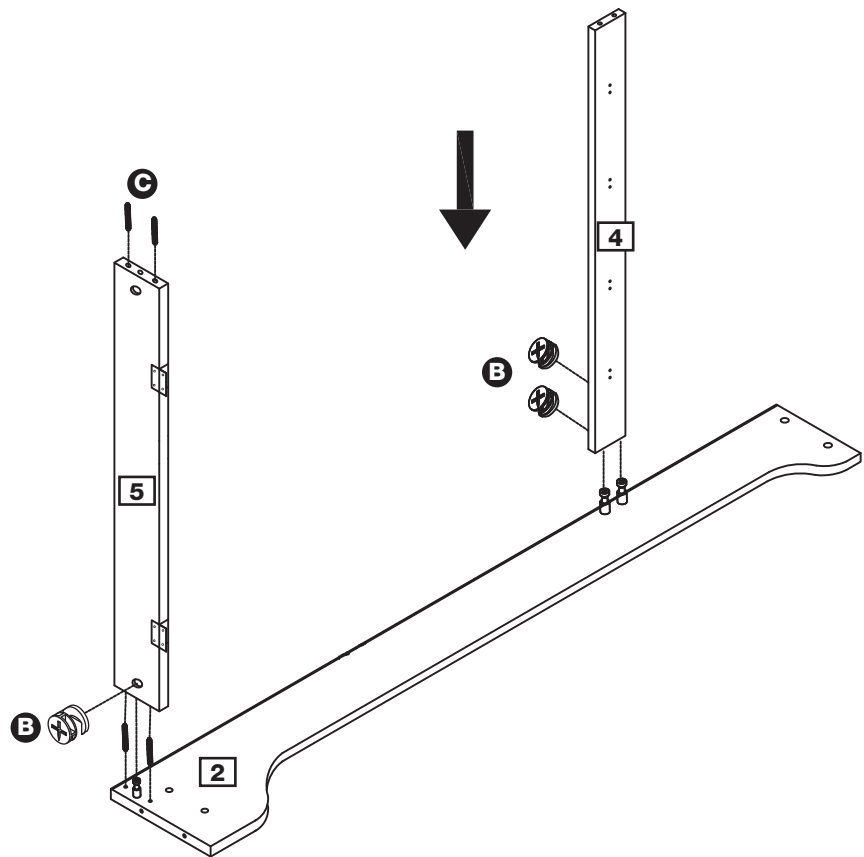


Assembly Instructions

Step 7

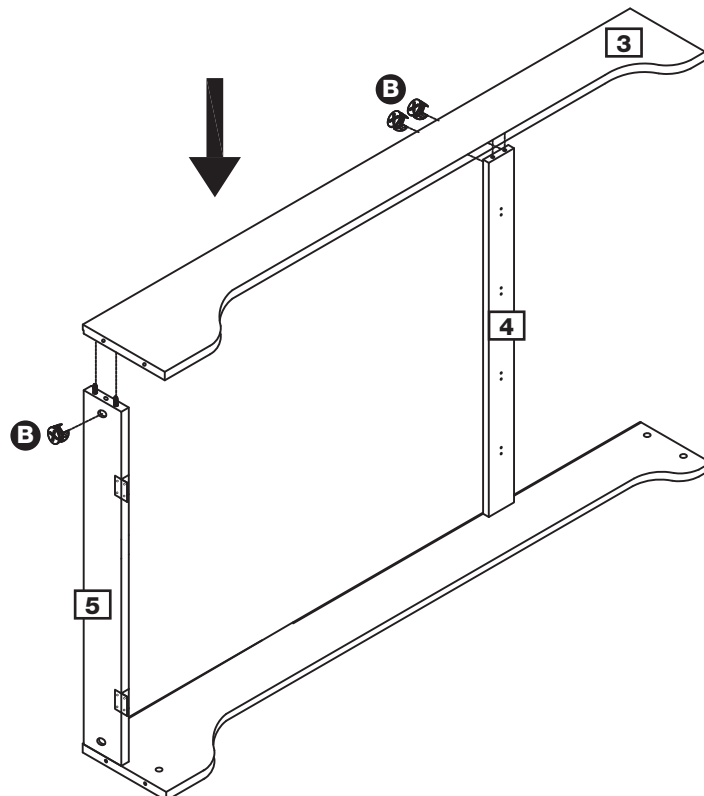
Insert 4 x wooden dowel **C** into long cross bar **5** as shown.

Attach hook base bar **4** and long cross bar **5** to upper right side panel **2** using 4 female camlock **B** as shown. Tighten female camlocks with a screwdriver.



Step 8

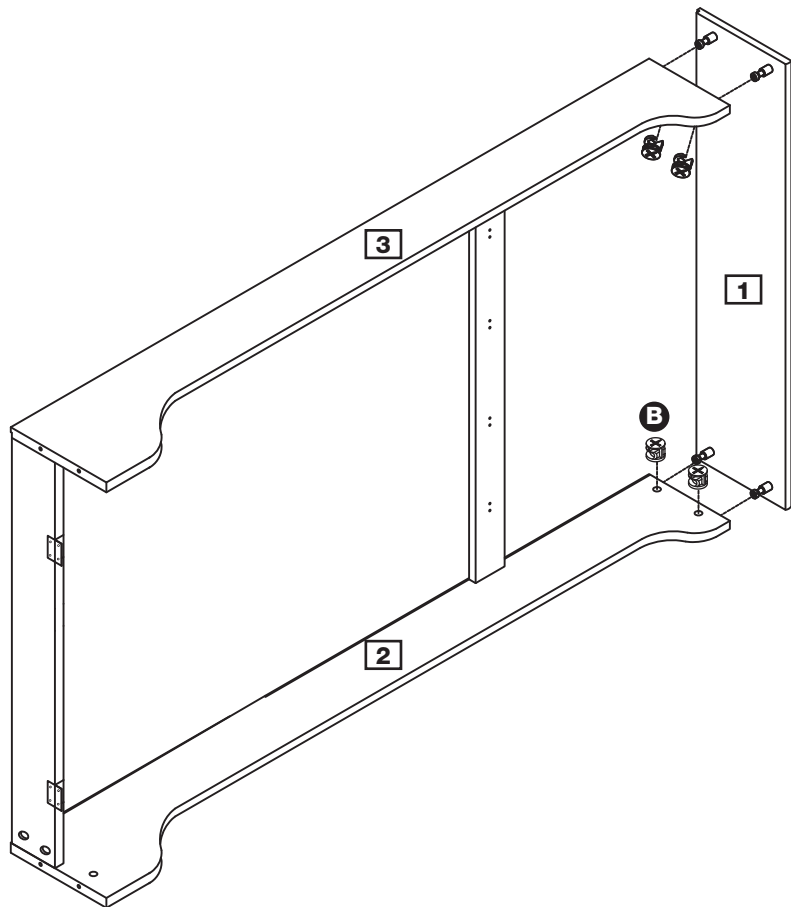
Attach upper left side panel **3** to the hook base bar **4** and the long cross bar **5** using 3 x female camlock **B** as shown. Tighten female camlocks with a screwdriver.



Assembly Instructions

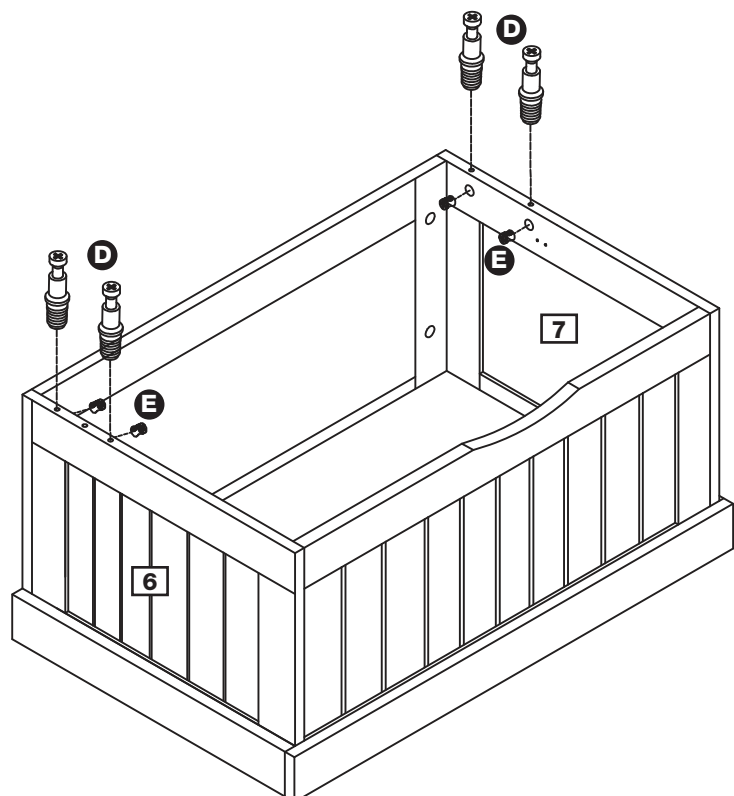
Step 9

Attach top panel **1** to the upper right side panel **2** and upper left side panel **3** using 4 x female camlock **B** as shown. Tighten female camlocks with a screwdriver.



Step 10

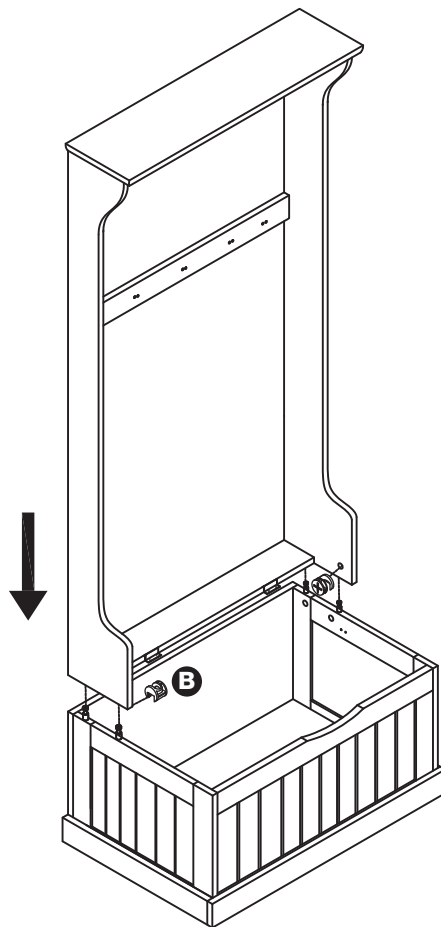
Insert 4 x nut **E** into the lower left side panel **6** and lower right side panel **7** and adjust the threaded hole of nut **E** and the predrilling male camlock hole of side panels in a line. Insert 4 x 41mm male camlock **D** into the predrilling male camlock holes of side panels and screw them into nuts **E**.



Assembly Instructions

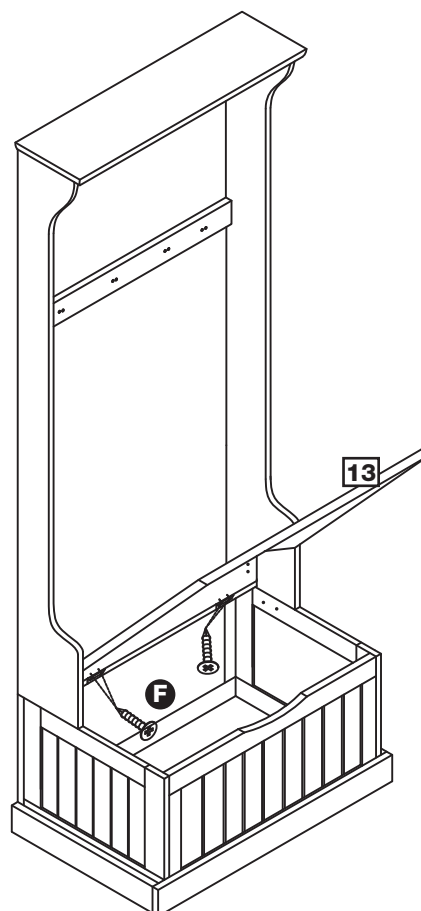
Step 11

Connect the assembled upper part to the assembled lower part using 4 x female camlock **B** as shown. Tighten female camlocks with a screwdriver.



Step 12

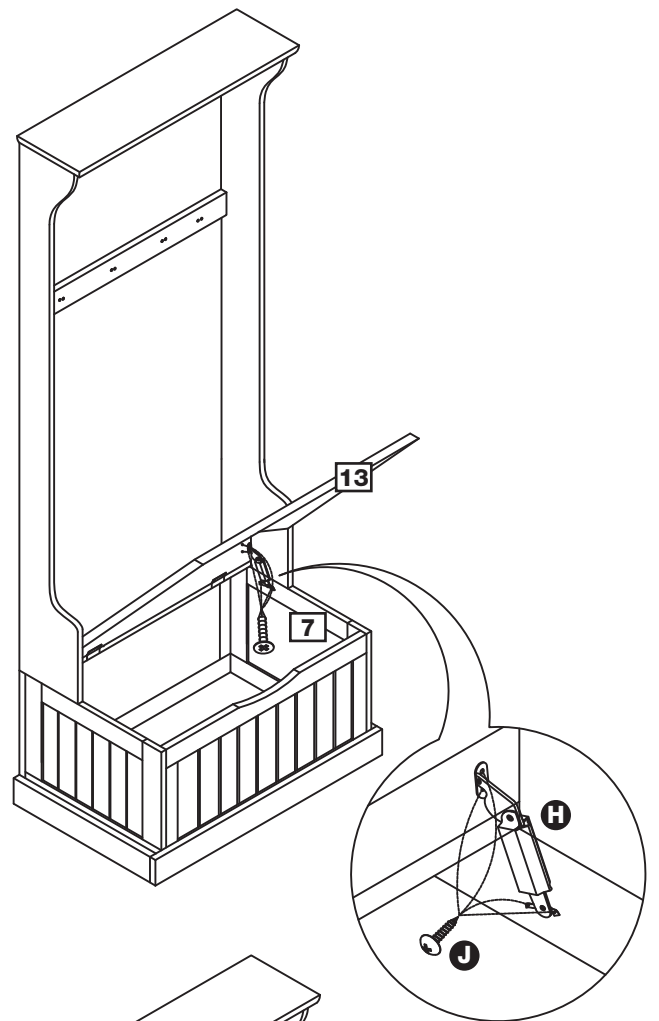
Attach cover panel **13** to the long cross bar **5** using 4 x 12mm screw **F** as shown.



Assembly Instructions

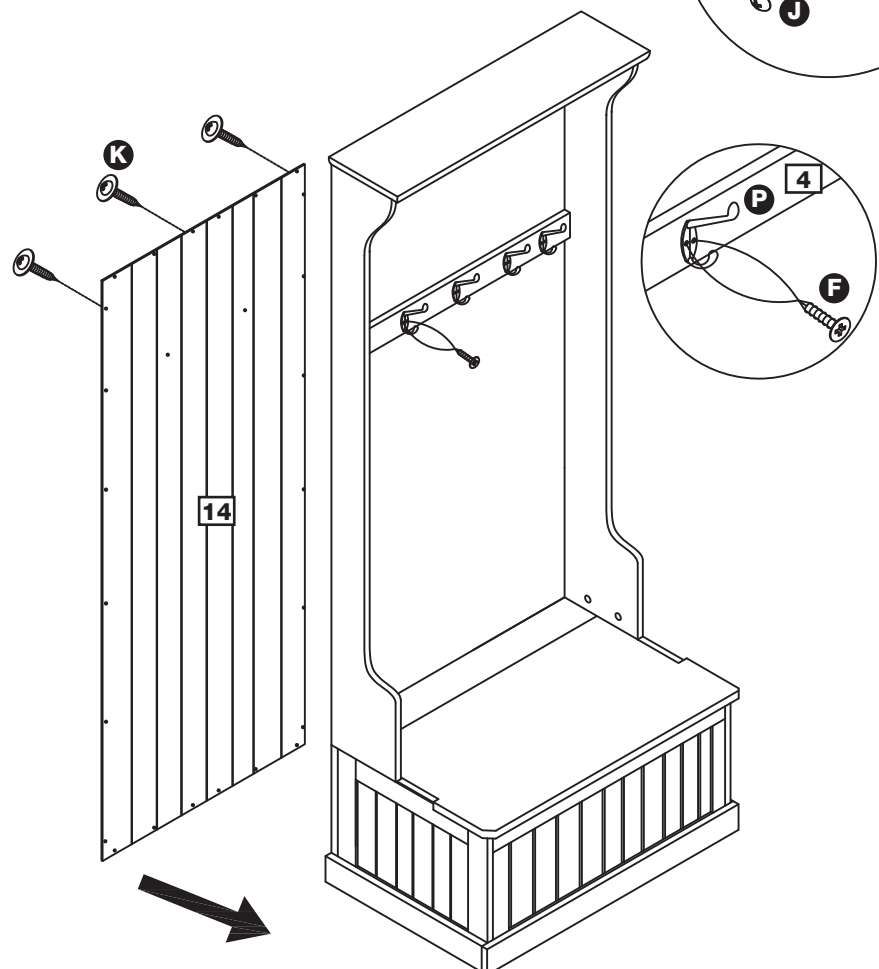
Step 13

Fix spring hinge **H** on the lower right side panel **7** and the cover panel **13** using 4 x 12mm screw **J** as shown.



Step 14

Fix 4 x hook **P** on the hook base bar **4** using 8 x 12mm screw **F** as shown.
attach upper back panel **14** to the assembled part using 24 x 20mm screw **K** as shown.



Assembly Instructions

Step 15

Fix unit to wall using 1 x 12mm screw **J**, 1 x safety strap **L**, 2 x washer **N**, 1 x 35mm screw **M** and 1 x wall plug **O** as shown.

Note: see the back cover for more information on wall mounting and the suitable use of the supplied rawl plugs.



Warning:

Before drilling, check wall for hidden pipes and cables.

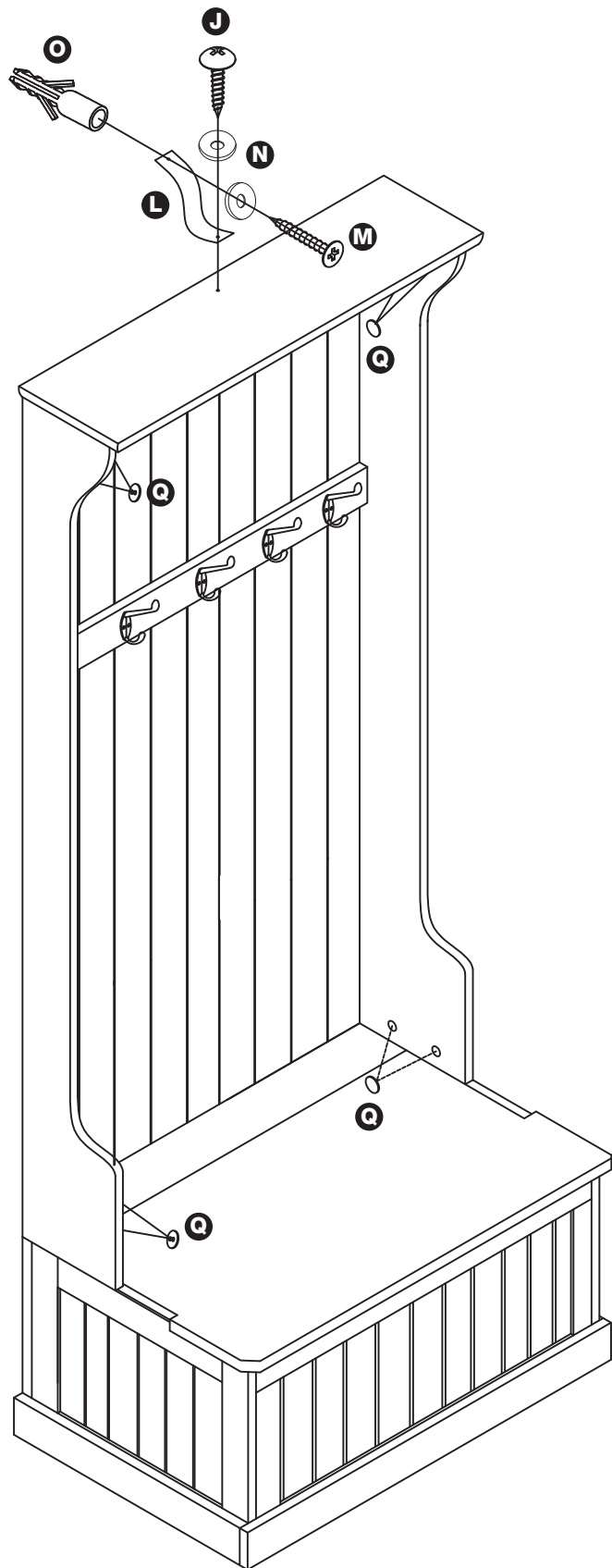
Cover 8 x lid **Q** on the exposed female camlock holes as shown.



Warning:

The unit is heavy; seek assistance from another person.

Assembly complete.



If you need help or have damaged or missing parts, call the **Customer Helpline: 0345 640 0800**
Argos LTD. 489-499 Avebury boulevard, Central Milton Keynes, MK9 2NW

A Guide to Wall Mounting & Fixings

Important note:

If plastic wall plugs (rawl plugs) are supplied with your product, e.g.:



- these are only suitable for use in masonry walls.

If you are in any doubt about the correct wall plugs for your wall, seek professional advice.


Failure of the product due to using the incorrect fixings is the responsibility of the installer.



Important: when drilling into walls always check that there are no hidden wires or pipes etc.

Make sure that the screws and wall plugs being used are suitable for supporting your unit. Consult a qualified tradesperson if you are unsure.

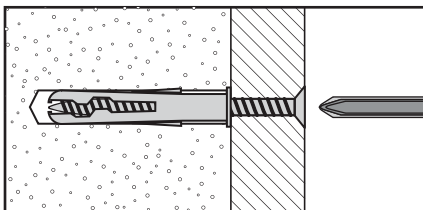
Hints:

- 1: General rule:  always use a larger screw and wall plug if you are not sure.
- 2: Ensure you use the recommended drill bit to match the wall plug and hole size.
- 3: Ensure you drill the hole horizontally; do not force the drill or enlarge the hole.
- 4: Take extra care when drilling high walls, ceilings and ceramic tiles. Ensure wall plugs are inserted beyond the thickness of the ceramic tiles to avoid the tiles splitting or cracking.
- 5: Ensure wall plugs are well fitted and are a tight fit in the drilled hole.

Types of walls

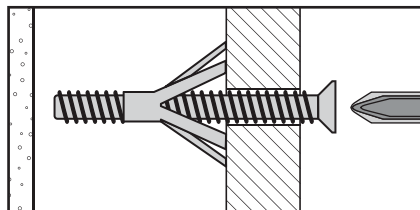
You can use one of the following types of wall plug if your walls are made of brick, breeze block, concrete, stone or wood.

No.1 "General Purpose" wall plug



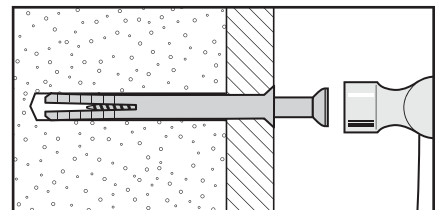
Generally aerated blocks should not be used to support heavy loads, use a specialist fitting in this case. For light loads, general purpose wall plugs can be used.

No.3 "Cavity Fixing" wall plug



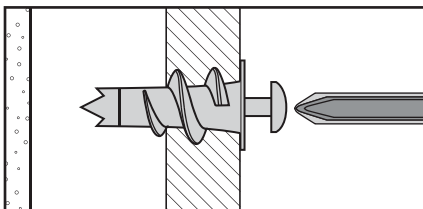
For use with plasterboard partitions or hollow wooden doors.

No.5 "Hammer Fixing" wall plug



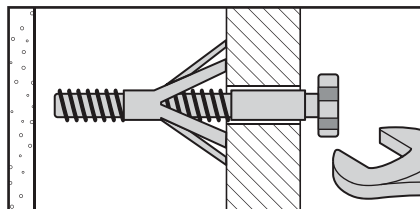
For use with walls stuck with plasterboard. The hammer fixing allows it to be fixed to the wall rather than the plasterboard. Always check the fixing is secure to the retaining wall.

No.2 "Plasterboard" wall plug



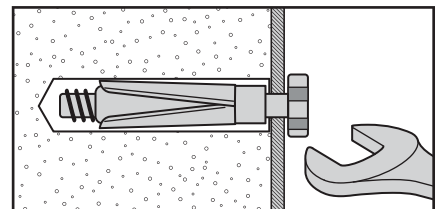
For use when attaching light loads onto plasterboard partitions.

No.4 "Cavity Fixing - Heavy Duty" wall plug



For use when fitting or supporting heavy loads such as shelving, wall cabinets and coat racks.

No.6 "Shield Anchor" wall plug - heavy loads



For use with heavier loads such as TV and HiFi speakers and satellite dishes etc.



Care & Maintenance

Safety: always check the fitting and location to ensure your safety in and around the home.

Fitting: from time to time check the fitting to ensure the wall plugs or screws do not become loose.

If you need help or have damaged or missing parts, call the Customer Helpline: 0345 640 0800