

Features – operated by the controller:

1. Forward/Reverse – push/pull left side lever forward/backward.
2. Left/Right – use right side lever.

The Controller:

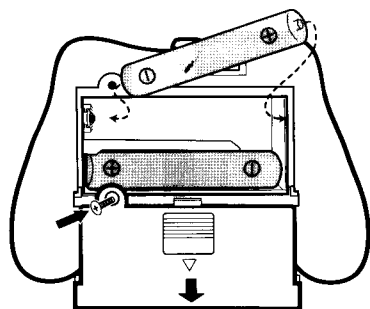
1. Remove the screw to open the Battery Compartment Cover.
2. Insert 2 “AAA” batteries in the battery compartment on the back of the transmitter. Be sure the (+) and (–) are properly matched.
3. The transmitter will automatically sync with the vehicle.

The Vehicle:

1. Locate the battery compartment on the vehicle chassis.
2. Remove the screw to open the Battery Compartment Cover.
3. Insert 3 “AAA” batteries. Be sure the (+) and (–) are properly matched.
4. Replace the Battery Compartment Cover and replace the screw.
5. Turn the ON/OFF switch to the “ON” position.
6. The vehicle is now ready to use.
7. The vehicle is equipped with 2.4GHz technology which allows up to 6 vehicles to be raced at the same time.

Steering Trim:

If the vehicle veers to the left or right, adjust steering trim on underside of vehicle until the desired alignment is reached.



CE 1797

Battery Requirements (not included):

Transmitter – 2 “AAA” batteries.

Vehicle – 3 “AAA” batteries.

(Use alkaline batteries only.)

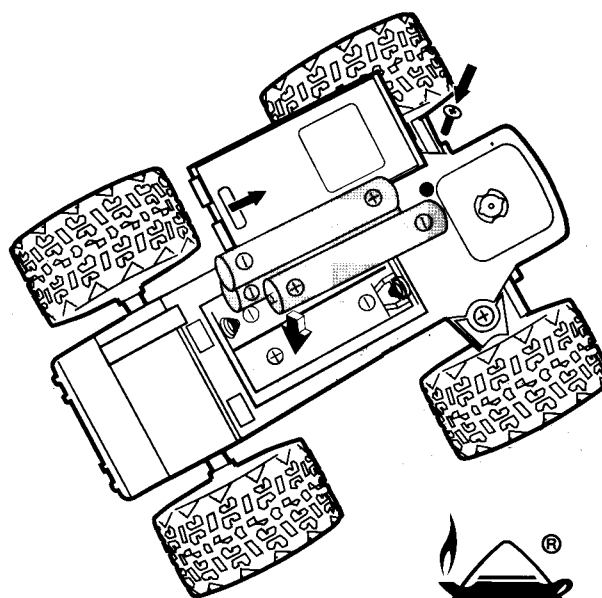
Notes:

1. Operate the vehicle within 60 feet (20 meters) range.
2. Switch off the toy when not in use.
3. Remove all batteries when not in use for long periods.
4. If the vehicle is not functioning properly, replace the batteries.
5. Adult supervision recommended.
6. Please remove all packaging attachments before giving this toy to your child.

The reception performance may be affected under a strong interference disturbance environment.

This product would not perform normally under a strong electrostatic environment.

We wish you many happy hours of pleasure with your New Bright toy.



NEW BRIGHT

L546107299/JN103-15